

TRUCK, UTILITY, LIGHTWEIGHT, MC2-LAND ROVER SERIES 3, ALL TYPES
BRAKING SYSTEM
MISCELLANEOUS INSTRUCTION

Introduction

1. This instruction details the method of inspection and correct fitting of brake shoes, to help eliminate problems being experienced in obtaining a satisfactory firm brake pedal.

Detail

2. Inspection

- a. Inspect all snail cam adjusters for wear of the cam serrations, and looseness in the snail cam mounting stems.
- b. Rear brake shoes are to be measured, to determine which is the leading, and which is the trailing brake shoe. The measurement is taken from the inside edge of the brake shoe, to the outside diameter of the adjustment pin as shown in Fig 1.

3. Fitting

- a. Front brake shoes are to be fitted as shown in Fig 2. The front brake shoe steady posts are to be adjusted, as detailed in VEH G 306, Section 70.40.02.
- b. Rear brake shoes are to be fitted as shown in Fig 1.

4. **Adjustment.** Adjust brakes as detailed in VEH G 306, Section 70.40.02 and section 70.40.03.

5. **Testing.** Test for correct operation.

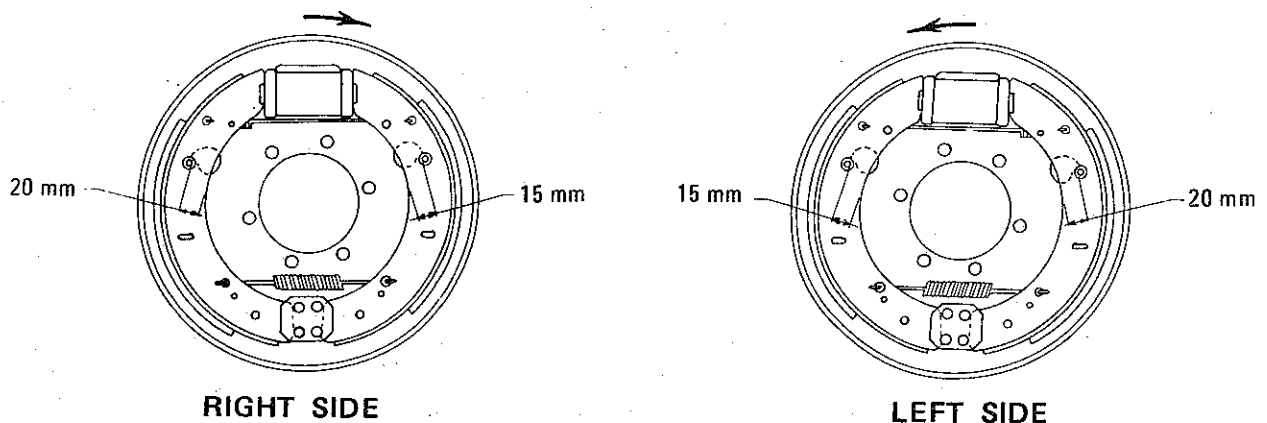


FIG 1 - REAR BRAKES

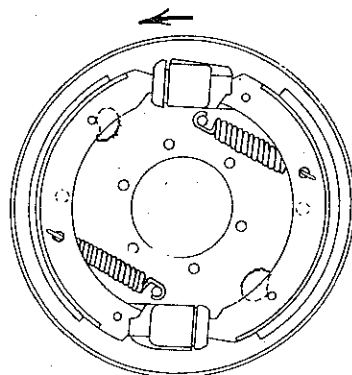


FIG 2 - FRONT LEFT SIDE

E N D