

**TRUCK UTILITY LT GS SERIES 3 LANDROVER, ALL TYPES
CANOPY TIE LOOPS**

MODIFICATION INSTRUCTIONS

Issue of this instruction is authorized by the CONMEA.

Introduction

1. This instruction details the fitting of tie loops to the canopy to enable the sides to be rolled up and secured when operating in hot weather conditions.

General

2. **Estimated Manhours to Perform.** 2.0 (initial planning only).
3. **Priority.** Group 2.
 - a. All equipments on issue to units are to be modified when next in workshop for repair.
 - b. All equipments held by supply units should normally be modified before issue. However, where this would delay priority issues, equipments may be released unmodified provided their Equipment History Books are endorsed with details of outstanding modifications.
4. **Modification to be Applied to.** All subject vehicles that have not had tie down loops fitted during manufacture.
5. **Items Affected.** Vehicle canopy.
6. **Action Required.** By RAEME workshops authorized to carry out field and base repairs in accordance with WKSP A850.

TABLE 1 – STORES REQUIRED (To be demanded through normal supply channels).

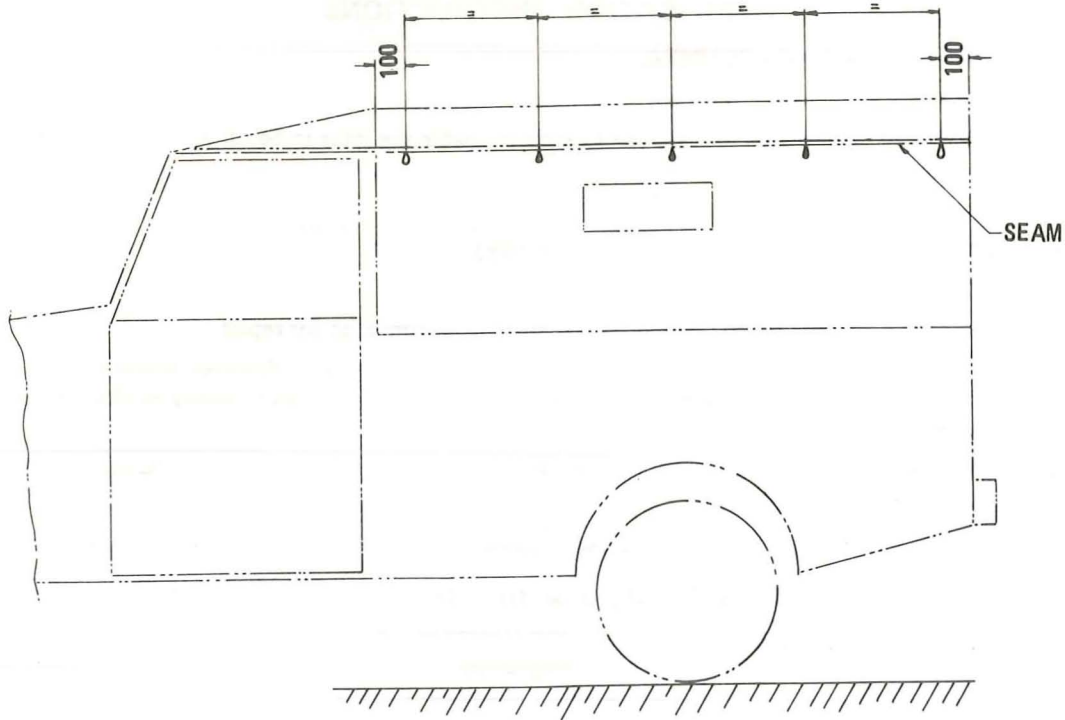
Item	DSN	Designation	Qty Per Equip
1.	4020-66-044-7039	CORD, NYLON, BRAIDED, green .125 dia	As required
2.	8310-66-016-2816	THREAD, NYLON, MACHINE, 3 cord, dark green	As required

Detail

7. Modification procedure is as follows:
 - a. Remove the canopy from the vehicle.
 - b. Refer to Fig 1 and mark the position for each tie loop on both sides of the canopy.
 - c. Refer to Fig 2 and sew the loops in position on the canopy, as detailed in the notes.

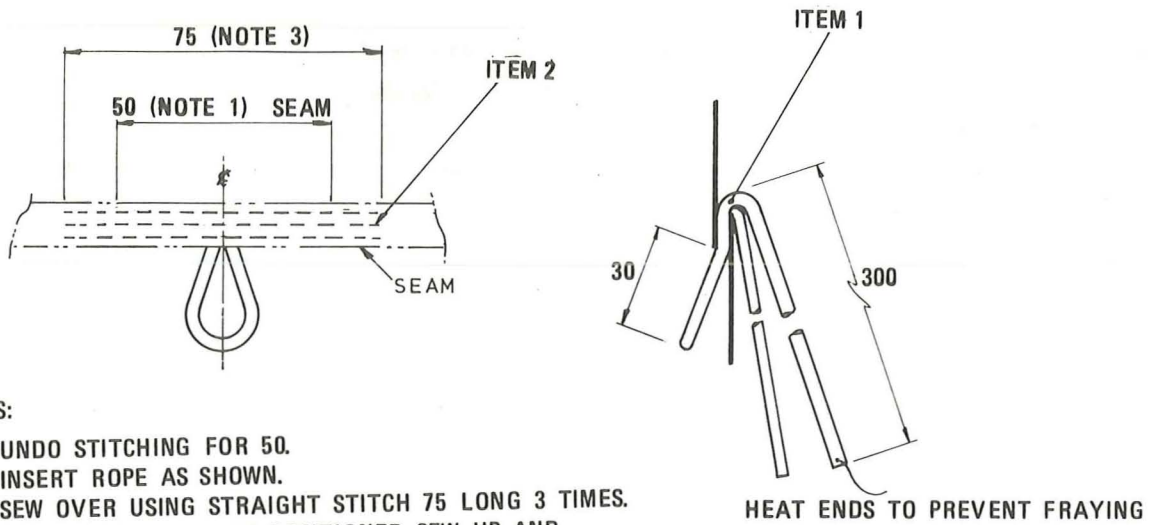
Modification Record Plate

8. The modification record plate is not to be used to record this modification due to the possibility of the canopy being removed from the vehicle and an unmodified one fitted.



ALL DIMENSIONS ARE IN MILLIMETRES

FIG 1 - POSITION OF THE LOOPS, LEFT AND RIGHT SIDES



NOTES:

1. UNDO STITCHING FOR 50.
2. INSERT ROPE AS SHOWN.
3. SEW OVER USING STRAIGHT STITCH 75 LONG 3 TIMES.
4. WHEN ALL LOOPS ARE POSITIONED SEW UP AND DOWN THE COMPLETE SEAM.

ALL DIMENSIONS ARE IN MILLIMETRES

FIG 2 - DETAIL OF LOOP

E N D