

TRUCK UTILITY LTWT MC2 LANDROVER SERIES 3 - ALL TYPES  
COVER VEH FITTED NSN 2540-66-095-8560 AND  
NSN 2540-66-096-4525

MODIFICATION INSTRUCTION

Introduction

1. This instruction specifies the reinforcement of the canopy vehicle fitted over the rear canopy bow to prevent tearing due to flapping and stretching.

Note:

1. NSN and Designation used in this instruction were current at the date of issue. If twelve months or more have expired since issue, the NSN should be checked for supersession.

General

2. Estimated Man Hours to Perform. 1.0 (for initial planning only)
3. Priority. Group 2
  - a. All equipments on issue to units are to be modified when next in workshop for repair.
  - b. All equipments held by supply units should normally be modified before issue. However, where this would delay priority issues, equipments may be relased unmodified provided their Equipment History Books are endorsed with details of outstanding modifications.
4. Modification to be Applied to. All vehicle canopies without reinforcement over the rear bow.
5. Items Affected. Vehicle canopy
6. Action Required. By RAEME workshops authorised to carry out field and base repairs in accordance with WKSP A850.

TABLE 1 - STORES REQUIRED (To be demanded through normal supply channels)

Item	NSN	Designation	Qty per Equip
1.	8305-66-018-2186	COACH,COTTON DUCK HEAVY WEIGHT	As required
2. (ALT)	8310-66-028-9681 8310-66-054-8606	COACH APTON (Tread) or, THREAD COTTON POLYURETHANE	As required

Detail.

7. Modification procedure is as follows:
  - a. Remove canopy from vehicle.
  - b. Allowing for tucking, Cut a strip of CLOTH,COTTON,DUCK (Heavy Weight) at sufficient width to give 100mm width coverage over the bow and length to cover width of tarp from seam to seam (refer FIG 1)
  - c. Sew on strip as shown in FIG 2.

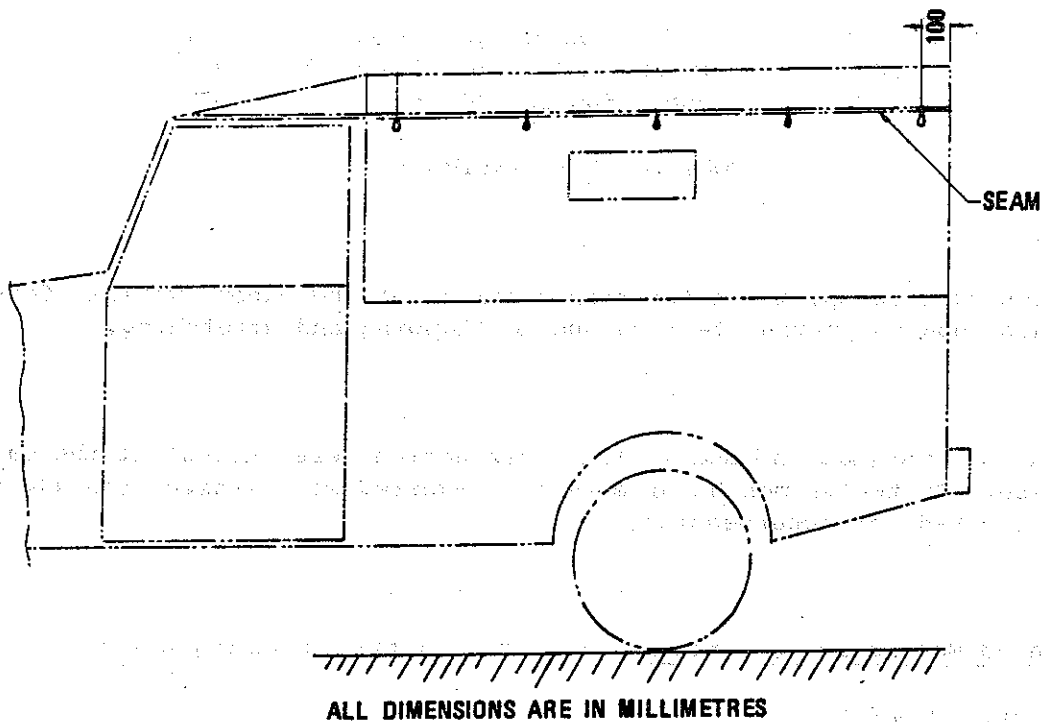


FIG 1 - POSITION OF REAR BOW REINFORCING STRIP

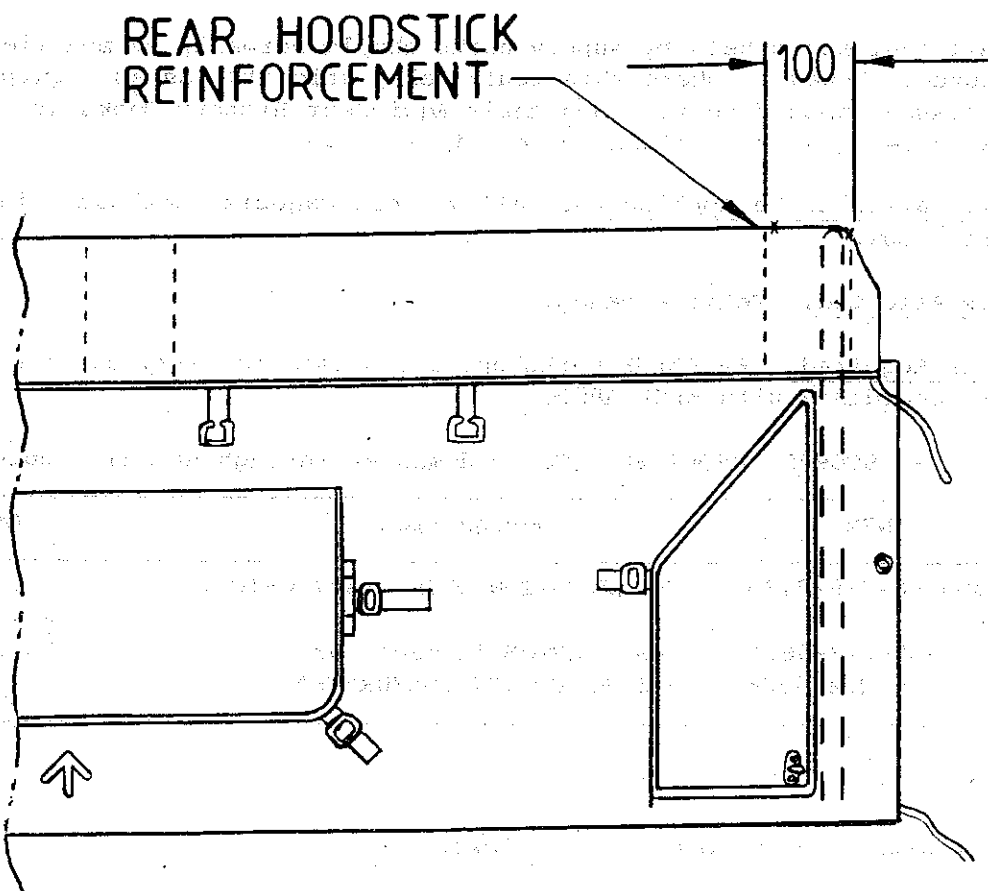


FIG 2 - POSITION OF STRIP RELATIVE TO REAR CANOPY BOW

E N D