

**TRUCK UTILITY LT GS CARGO LANDROVER SERIES 3  
 REPOSITIONING OF FORMATION SIGN HOLDERS, REFLECTORS,  
 REGISTRATION PLATE AND REGISTRATION PLATE LIGHT  
 MODIFICATION INSTRUCTION**

Issue of this instruction is authorized by the CONMEA.

**Introduction**

1. The formation sign holders, reflectors, registration plate and registration plate light, on the cargo version of the Series 3 Landrover, have, because of their location, been damaged or caused injury to troops. Consequently, many different local modifications have been implemented to overcome these problems.
2. This instruction details the repositioning of the formation sign holders, reflectors, registration plate and registration plate light on the Truck, Utility, Light, GS Cargo, Landrover, Series 3 to achieve commonality of the fleet. Future production vehicles will incorporate changes to overcome the problems detailed in paragraph 1.

**General**

3. **Estimated Manhours to Perform.** 2.0 (initial planning only)
4. **Priority.** Group 2.
  - a. All vehicles on issue to units are to be modified when next in workshop for repair.
  - b. All vehicles held by Supply Units should normally be modified before issue. However, where this would delay priority issues, equipments may be released unmodified providing their record books are endorsed with details of outstanding modifications.
5. **Modification to be Applied to.** All subject vehicles.
6. **Items Affected.** Formation sign holders, reflectors, registration plate and registration plate light.
7. **Action Required.** By RAEME units authorized to carry out field and base repair in accordance with WKSP A 850.

**TABLE 1 - STORES REQUIRED** (To be demanded through normal supply channels.)

Item	DSN	Designation	Qty per Equip
1.	5305-66-013-9443	SCREW TAPPING, THREAD FORMING, steel, pan hd, slotted, gimlet point, type AB, thd, No 10 by 3/8 in lg	3
2.	5320-99-437-4027	RIVET, BLIND, monel, w/break stem mandrel, domed hd, 3/16 in by 0.240 in, 0.020 in to 0.090 in grip	As Required
3.	5320-99-941-7279	RIVET, BLIND, monel, w/break stem mandrel, domed hd, 3/16 in by 0.360 in, 0.151 in to 0.200 in grip	10
4.	5320-99-941-7283	RIVET, BLIND, monel, w/break stem mandrel, domed hd, 3/16 in by 0.750 in, 0.461 in to 0.540 in grip	2
5.	5340-00-286-2494	CLAMP LOOP	3
6.	9510-66-097-0649	STEEL BAR, CARBON, COLD FINISHED, bright finish, grade CS1020, rd, 10 mm dia	As Required

**Detail**

8. **Dismantling.**
  - a. Disconnect the battery earth lead.
  - b. Remove and dismantle the stalks, mounting the formation sign holders and reflectors from the bumperettes.
  - c. Remove and dismantle the bracket, mounting the registration plate and light assembly from the tail gate.
9. **Assembly.**

Note:

  1. Ensure all riveting is carried out with the rivet heads positioned on the inner side of the tail gate.
    - a. Fit the reflectors to the bumperettes using the top holes left vacant by the removal of the stalks.
    - b. Attach the formation sign holders and registration plate as shown in Fig 5 using item 3 from Table 1.
    - c. Drill holes, for the wiring loom clamps as shown in Fig 5.
    - d. Manufacture 2 spacers as shown in Fig 4 using item 6 from Table 1.
    - e. Reroute the registration plate light wiring loom as shown in Fig 3.
    - f. Connect the wiring loom to the light assembly and using item 4 from Table 1 and the spacers manufactured vide sub-paragraph 9d., fit as shown in Fig 3.

- g. Secure the wiring loom using items 1 and 5 from Table 1 as shown in Fig 3.
- h. Plug old rivet holes left vacant in the tailgate using item 2 from Table 1.
- i. Reconnect the battery earth lead and test the registration plate light for correct operation.
- j. Repaint effected areas in accordance with WKSP B 700.

#### Modification Record Plate

10. On completion of the modification, deface the numeral 5 on the modification record plate located on the side of the front passenger seat base, adjacent to the vehicle specification plate.

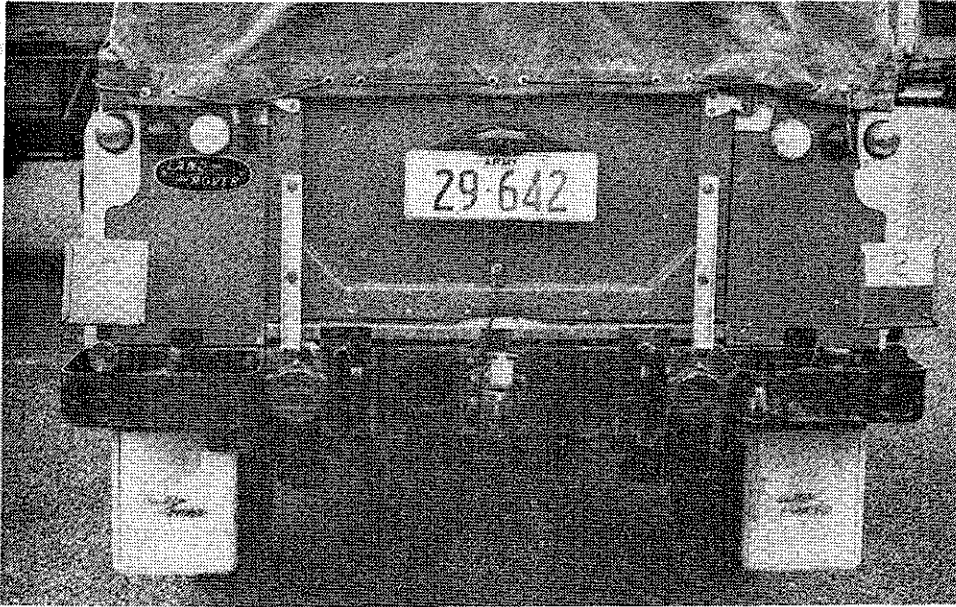


FIG 1 – UNMODIFIED VEHICLE

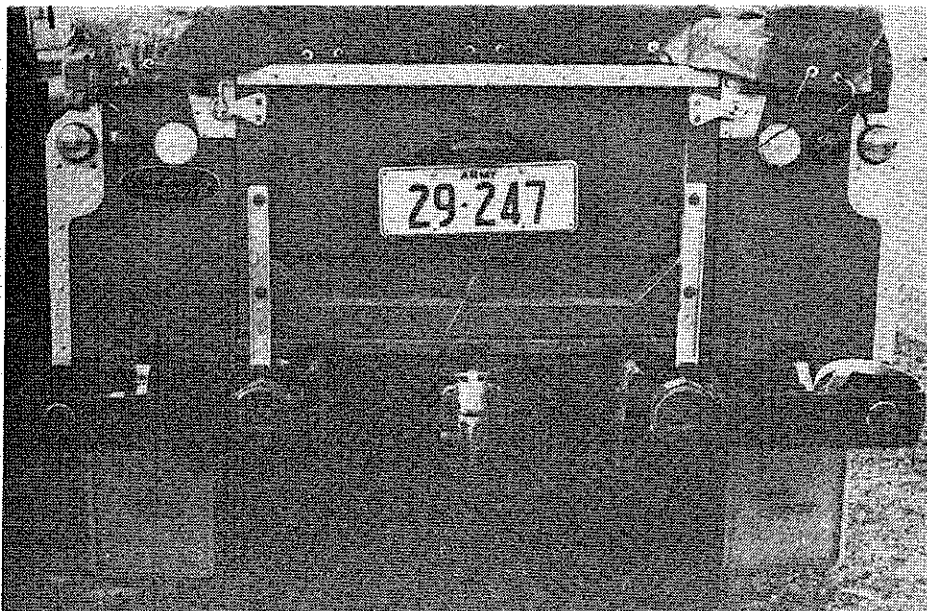


FIG 2 – PARTLY MODIFIED VEHICLE

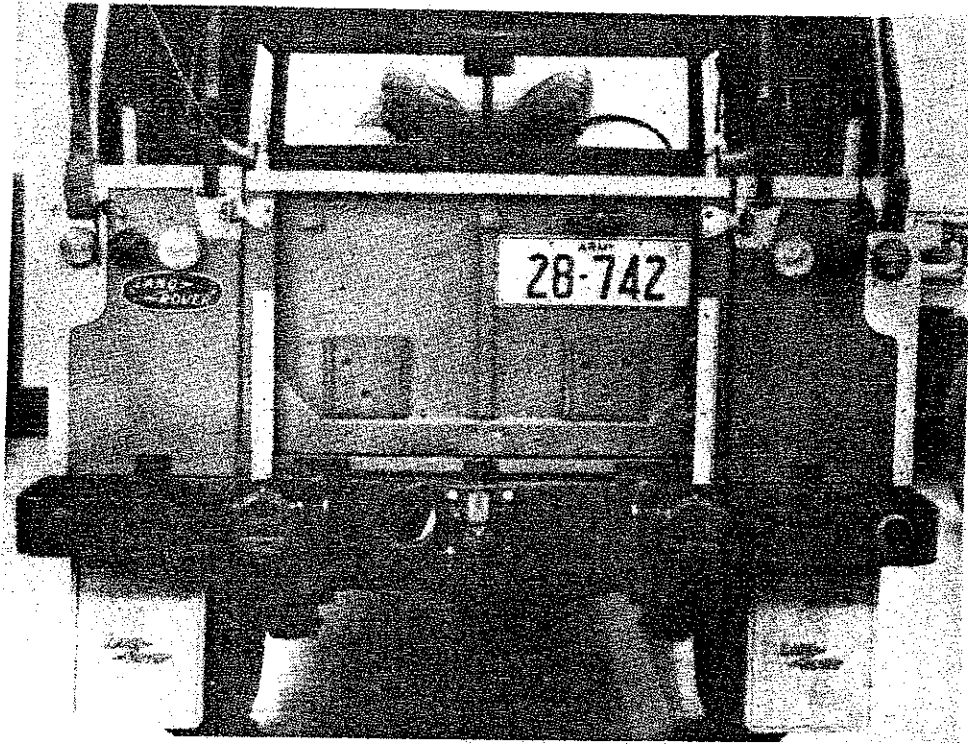


FIG 3 - MODIFIED VEHICLE

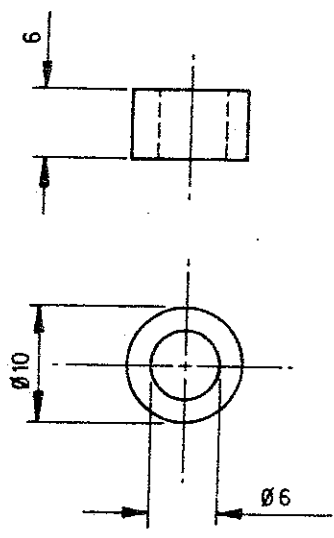
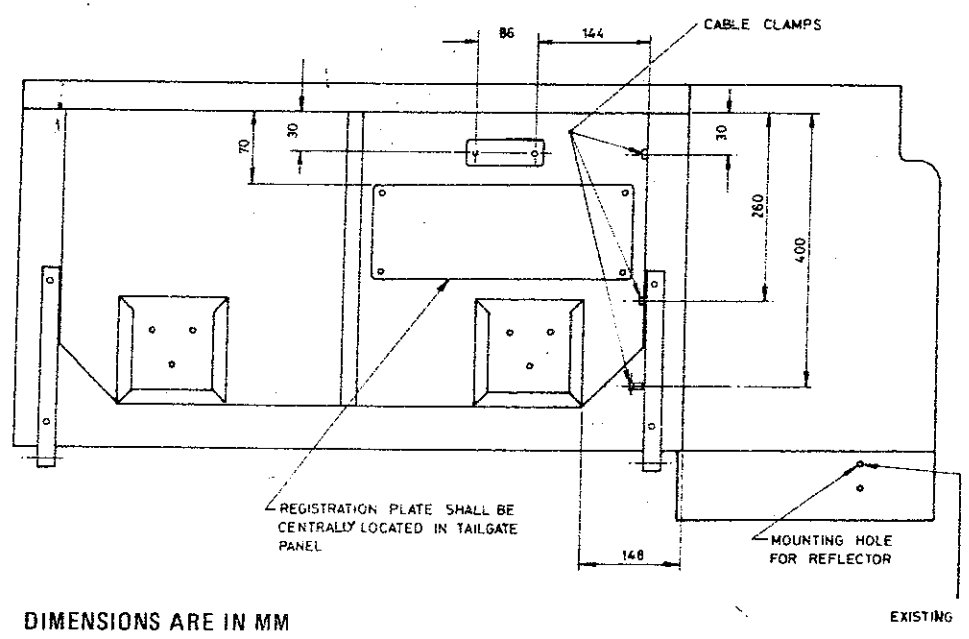


FIG 4 - SPACERS



DIMENSIONS ARE IN MM

FIG 5 - COMPONENT LOCATIONS

END

