

**HEATING AND VENTILATION OPERATIONS**

Air distribution flaps .. .. .	.. remove and refit..	..80.15.09
De-mister hoses .. .. .	.. remove and refit..	..80.15.01
De-mister nozzles .. .. .	.. remove and refit..	..80.15.03
Fresh air intake.. .. .	.. remove and refit..	..80.15.29
<b>Heater</b>		
— /blower fan motor .. .. .	.. remove and refit..	..80.20.15
— box complete .. .. .	.. remove and refit..	..80.20.01
— controls .. .. .	.. remove and refit..	..80.10.02
— fan switch .. .. .	.. remove and refit..	..80.10.22
— /ventilator air flow control cable .. .. .	.. remove and refit..	..80.10.06
— water valve .. .. .	.. remove and refit..	..80.10.16
— water valve control cable .. .. .	.. remove and refit..	..80.10.07
<b>Pipes</b>		
— feed to heater.. .. .	.. remove and refit..	..80.25.15
— return from heater.. .. .	.. remove and refit..	..80.25.16
Ventilator grille panel.. .. .	.. remove and refit..	..80.15.16

**HEATER CONTROL**

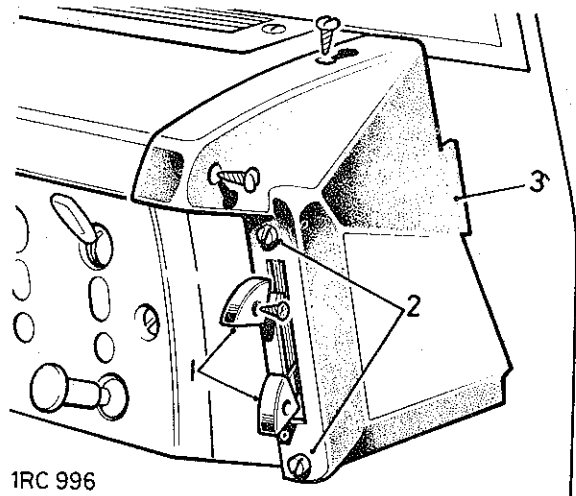
– Remove and refit **80.10.02**

**Removing**

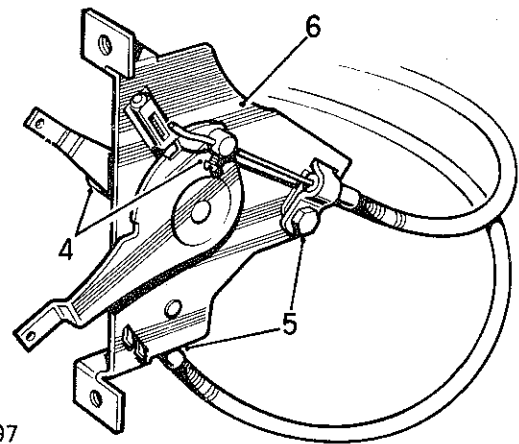
1. Remove the fixings and withdraw the finger grips.
2. Remove the fixings, control lever assembly to end panel.
3. Remove the end panel.
4. Slacken the inner cables grub screws.
5. Slacken the outer cables clamp screws.
6. Withdraw the heater control lever assembly.

**Refitting**

7. Reverse 1 to 6; adjust the cables to operate the water valve and air distribution flaps before fitting the control levers and end panel assembly to the dash.



1RC 996



1RC 997



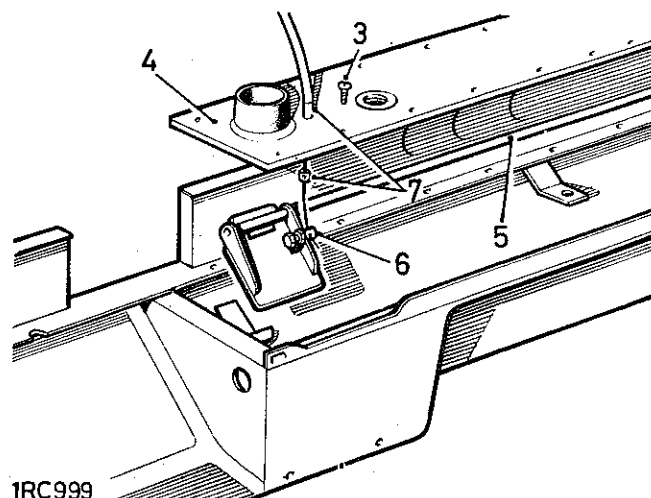
## HEATER/VENTILATOR AIR

## FLOW CONTROL CABLE

— Remove and refit 80.10.06

## Removing

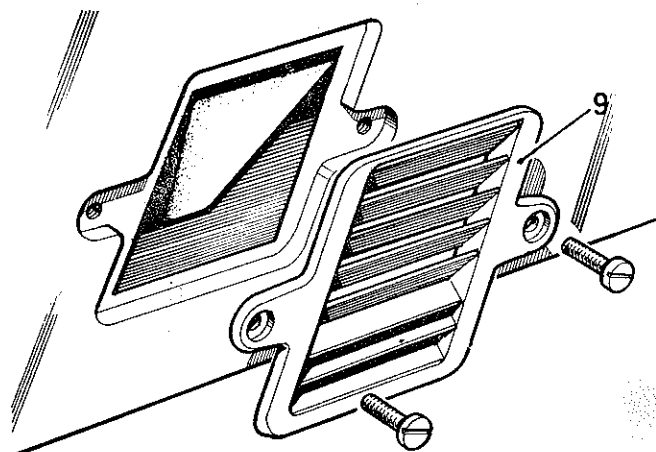
1. Remove the heater controls 80.10.02 items 1 to 3 and disconnect the air flow control cable.
2. Remove the lower fascia 76.46.05.
3. Remove the heater ducting cover fixings.
4. Withdraw the ducting cover to gain access to the air distribution flaps.
5. Withdraw the distribution flaps from the fascia.
6. Disconnect the inner cable at the flaps
7. Withdraw the outer cable, retained at the ducting cover by a tubular clip.



IRC999

## Refitting

8. Reverse 2 to 7.
9. Refit the heater controls and air flow control cable ensuring full air distributor flap operation. The flaps are easily checked after removing the air outlet grilles in the lower fascia.



IRC 1000

**HEATING AND VENTILATION****HEATER WATER VALVE CONTROL CABLE**

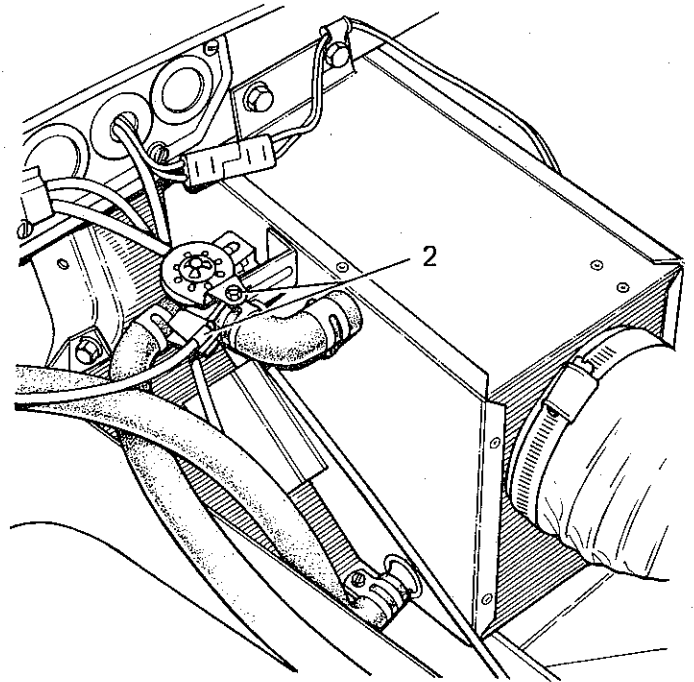
– Remove and refit **80.10.07**

**Removing**

1. Remove the heater controls assembly 80.10.02.
2. Disconnect the inner and outer cables at the water valve.
3. Withdraw the cable through the dash grommet.

**Refitting**

4. Reverse 1 to 3; do not tighten the cable fixings at the water valve at this stage.
5. Set the water valve in the closed position.
6. Set the cable control lever in the fully up 'cold' position.
7. Take up all slack in the inner cable then tighten the inner cable fixing.



**HEATER WATER VALVE**

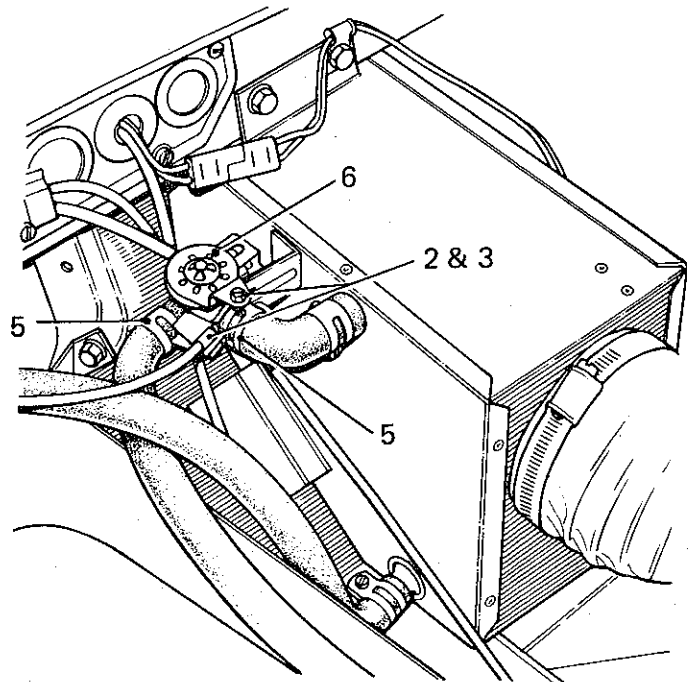
— Remove and refit **80.10.16**

**Removing**

1. Partially drain the coolant from the radiator.
2. Slacken the inner cable fixing.
3. Slacken the outer cable clamp fixing.
4. Free the inner cable and withdraw from the valve.
5. Release the heater hose clips and slide the hose away from the water valve.
6. Withdraw the heater water valve complete.
7. Check hoses and replace if necessary.

**Refitting**

8. Reverse 3 to 7; do not tighten the inner cable fixing at this stage.
9. Set the water valve in the closed position.
10. Set the cable control lever in the fully up 'cold' position.
11. Take up all slack in the inner cable then secure the cable to the water valve.
12. Reverse 1.

**HEATER FAN SWITCH**

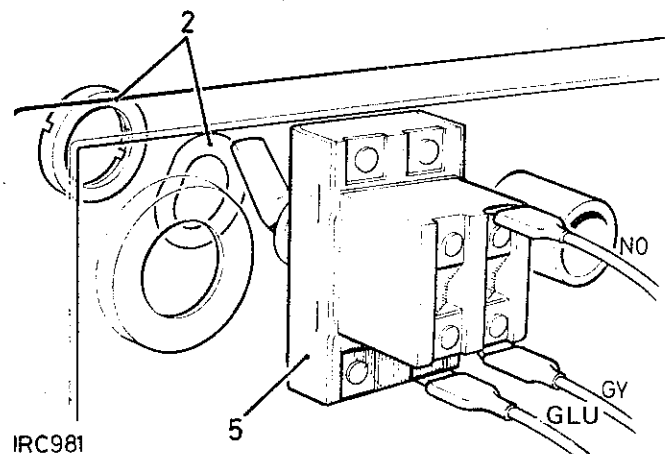
— Remove and refit **80.10.22**

**Removing**

1. Disconnect the battery earth lead.
2. Unscrew the lockring and withdraw the wave washer from the switch knob.
3. Withdraw the instrument panel clear of the dash. 88.20.01, items 1 to 5.
4. Disconnect the leads from the switch.
5. Withdraw the switch.

**Refitting**

6. Reverse 4 and 5; connect the leads as illustrated.  
Lead colours:
  - G — Green
  - L — Light
  - N — Brown
  - O — Orange
  - U — Blue
  - Y — Yellow
7. Reverse 1 to 3.



**DE-MISTER HOSES**

– Remove and refit **80.15.01**

Passenger's side hose, items 1 to 3

Driver's side hose, items 4 to 7

**Removing, passenger's side hose**

1. Disengage the hose upper end from the nozzle adaptor.
2. Withdraw the hose from the rubber connector.

**Refitting**

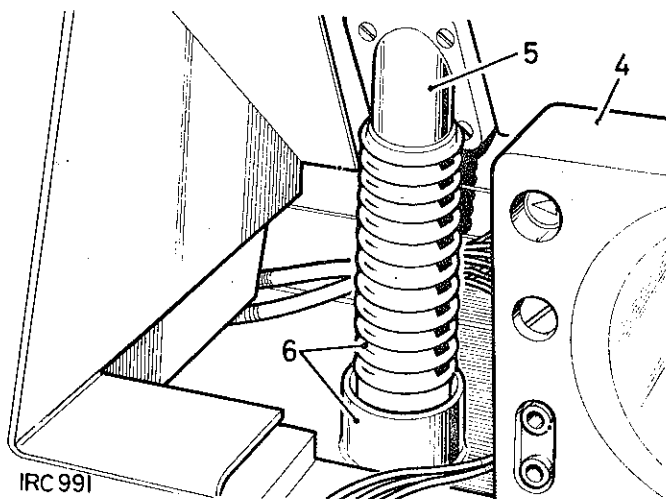
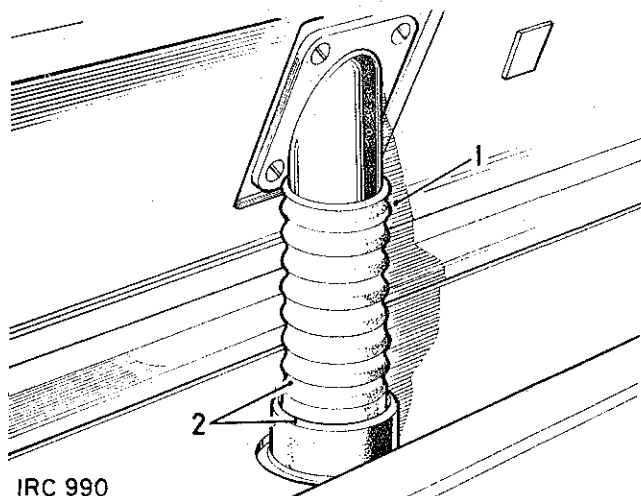
3. Reverse 1 and 2.

**Removing, driver's side hose**

4. Withdraw the instrument panel sufficient to gain access to the hose 88.20.01, items 1 to 5.
5. Disengage the hose upper end from the nozzle adaptor.
6. Withdraw the hose from the rubber connector.

**Refitting**

7. Reverse 4 to 6.



## DEMISTER NOZZLES

Remove and refit 80.15.03

Passenger's side, items 1 to 4  
Driver's side, items 6 to 13

## Removing, passenger's side nozzle

1. Remove the demister hose. 80.15.01
2. Remove the fresh air grille.
- 3.\*\* Remove the nozzle adaptor.
4. Manoeuvre the nozzle out through the fresh air grille aperture.\*\*

## Refitting

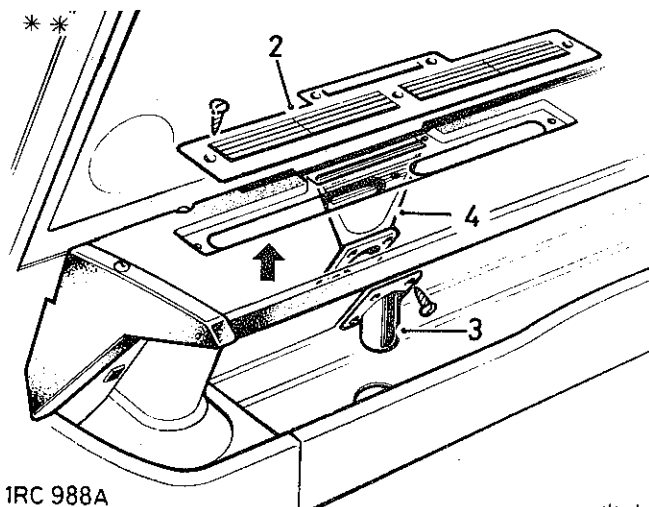
- 5.\*\* Reverse 1 to 4.\*\*

## Removing, driver's side nozzle

- 6.\*\* Disconnect the battery earth lead.
7. Remove the switch shrouds from the steering column.
8. Withdraw the instrument panel clear of the dash, 88.20.01 items 1 to 5.
9. Remove the fresh air grille.
10. Withdraw the demister hose.
11. Remove the nozzle adaptor.
12. Manoeuvre the nozzle out through the fresh air grille aperture.

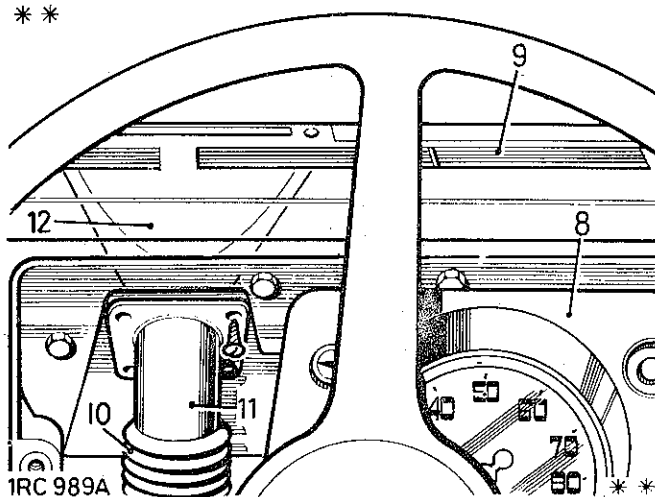
## Refitting

13. Reverse 6 to 12.\*\*



1RC 988A

\*\*



1RC 989A

\*\*

## AIR DISTRIBUTION FLAPS

—Remove and refit 80.15.09

This operation is described in 80.10.06.



### VENTILATOR GRILLE PANEL

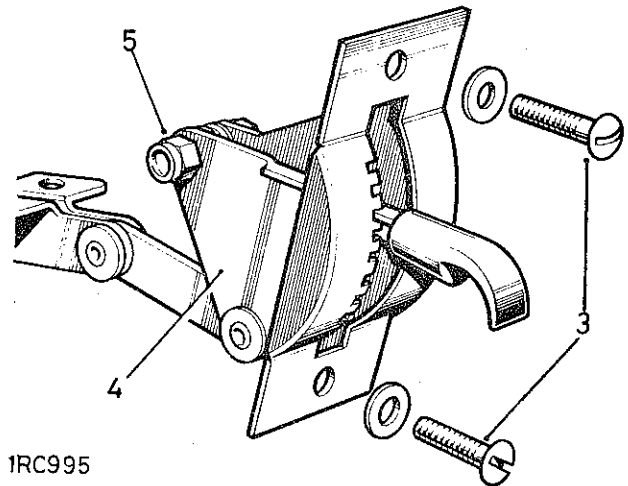
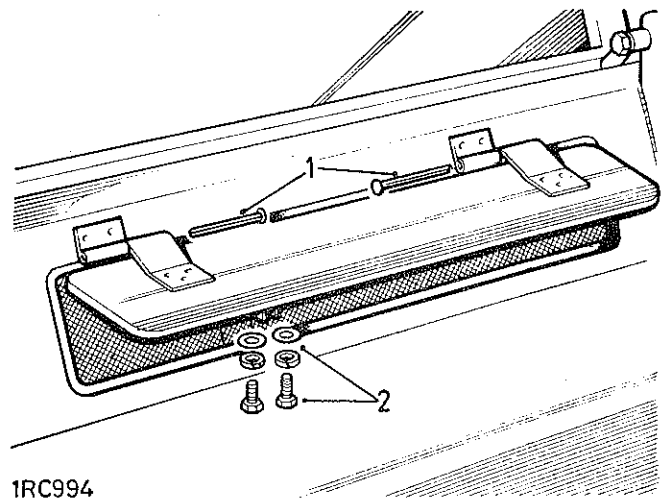
— Remove and refit 80.15.16

#### Removing

1. Remove the hinge pins.
2. Remove the control lever fixings.
3. Remove the ventilator control to dash fixings.
4. Withdraw the ventilator control and quadrant assembly.

#### Refitting

5. Check the lever operation in the quadrant. If required, adjust the special locknut to alter the spring loading on the lever.
6. Reverse 1 to 4.



### FRESH AIR INTAKE

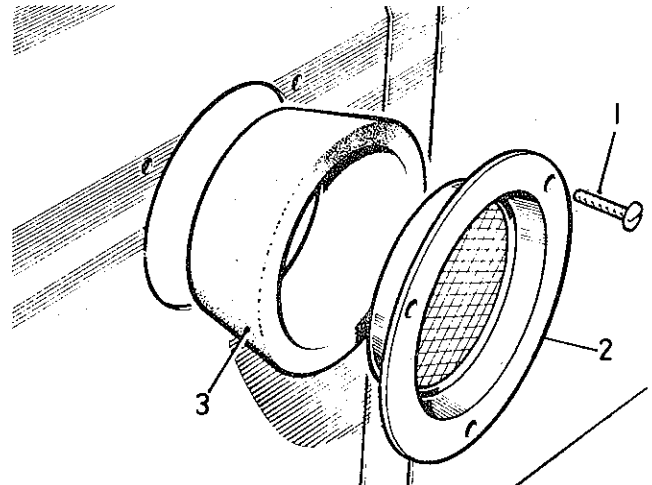
— Remove and refit 80.15.29

#### Removing

1. Remove the fixings.
2. Withdraw the intake grille assembly.
3. If required, withdraw the air inlet seal.

#### Refitting

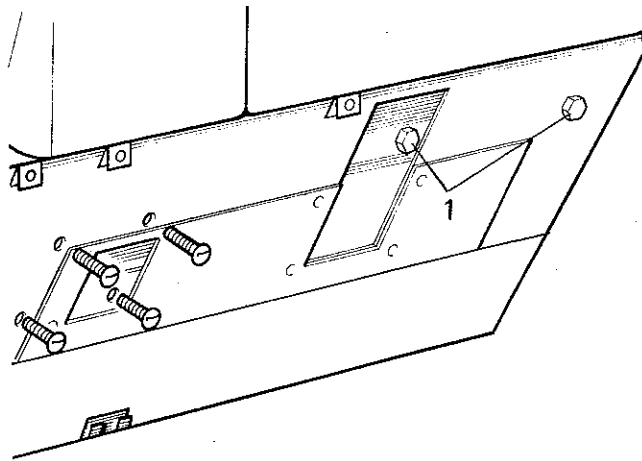
4. Reverse 1 to 3.



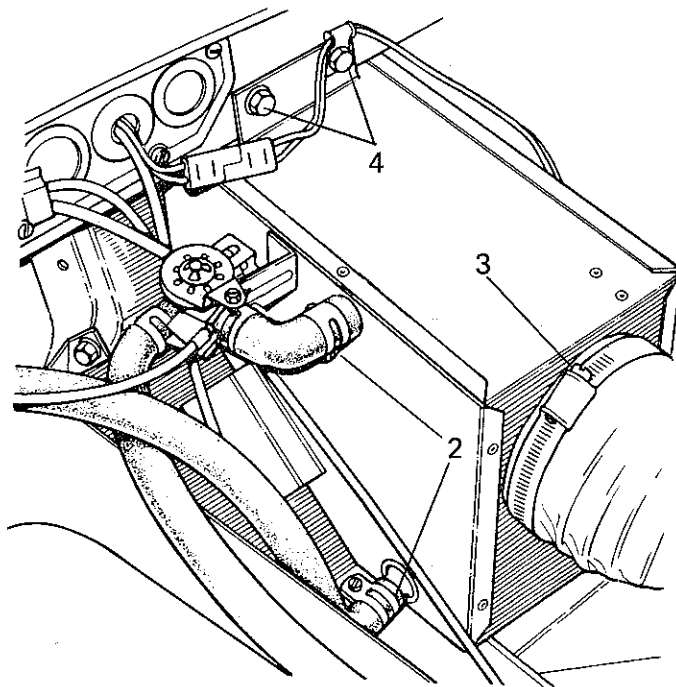


**HEATER BOX COMPLETE**— Remove and refit **80.20.01****Removing**

1. Remove the heater box lower fixings.
2. Disconnect the heater water hoses.
3. Disconnect the air inlet hose.
4. Remove the heater box upper fixings.
5. Withdraw the heater box.
6. If radiator removal is required, for inspection purposes, proceed as follows, items 7 to 9.
7. Remove the fixings and withdraw the detachable side panel.
8. Withdraw the radiator and pipes assembly.

**Refitting**

9. If removed, reverse 7 and 8.
10. Ensure that the joint seal is present and sound.
11. Reverse 1 to 5.



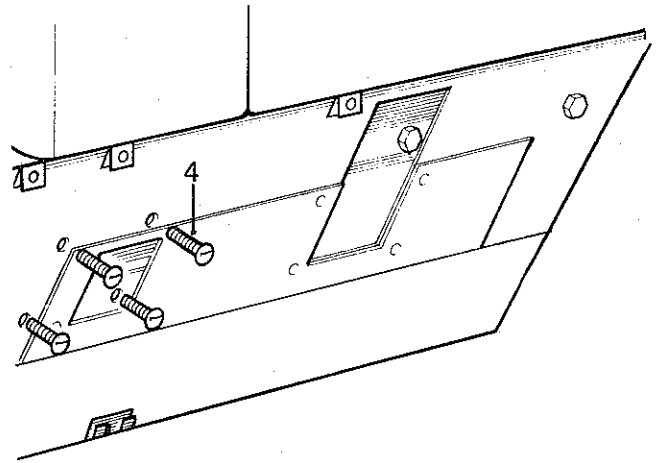
**HEATING AND VENTILATION**

**HEATER/BLOWER FAN MOTOR**

— Remove and refit 80.20.15

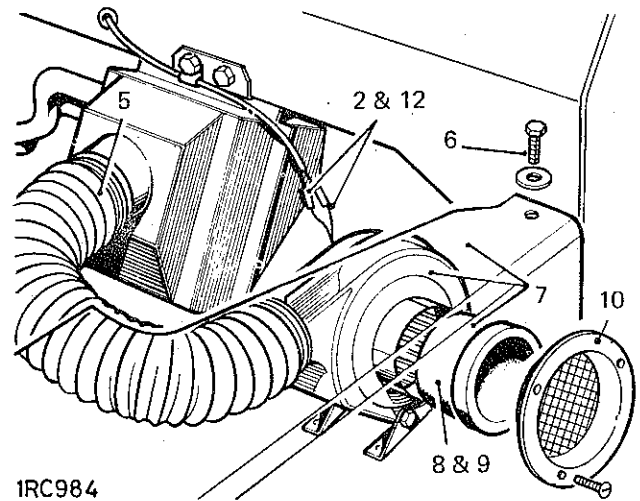
**Removing**

1. Disconnect the battery earth lead.
2. Disconnect the blower motor leads.
3. From inside the vehicle, remove fire extinguisher mounting to gain access to blower motor fixings.
4. Remove the blower motor fixings.
5. Disconnect the air hose at the matrix inlet.
6. Remove the wing panel rear top fixing bolt.
7. Manoeuvre the blower motor assembly clear, lifting the wing panel sufficient to allow passage.
8. Withdraw the air inlet seal.



**Refitting**

9. Fit the blower motor but omit the air inlet seal at this stage.
10. Remove the air intake grille.
11. Fit the air inlet seal and replace the intake grille.
12. Reverse 2 to 6. Connect the electrical leads from the blower motor at the snap connectors as follows: Brown lead with green marker band — to green/slate lead, Green lead — to Green/Yellow lead.



1RC984

**HEATER PIPES**

— Remove and refit

Feed to heater 80.25.15

Return from heater 80.25.16

**Removing**

1. Partly drain the coolant.
2. Disconnect the hoses.
3. Remove the fixings and withdraw the pipe.

**Refitting**

4. Reverse 1 to 3.

Issue 1. Dec. 77

A80.20.15  
80.25.15.  
80.25.16

