

Registry of Ex Military Land Rovers

Copyright of this document is retained by the original authors. Some parts may have been superseded or changed since that time.

This document has been download from the Registry of Ex Military Land Rovers at <http://www.remlr.com> . All files available from this site are free of charge.

If you have paid for this document please report where you purchased it from to the Registry of Ex Military Land Rovers Inc at webmaster@remlr.com



RESTRICTED

THE INFORMATION GIVEN IN THIS DOCUMENT IS
NOT TO BE COMMUNICATED, EITHER DIRECTLY OR
INDIRECTLY, TO THE PRESS OR TO ANY PERSON NOT
AUTHORIZED TO RECEIVE IT.



AUSTRALIAN ARMY

REPAIR PARTS SCALE

02031

2320-66-089-5185

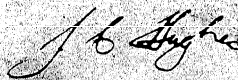
TRUCK, CARGO, 2-1/2 TON GS.

4X4 W/WINCH

AUST NO1 MK 4

ISSUE 1 JUN 83

AUTHORISED FOR USE WITHIN THE
AUSTRALIAN ARMY, BY COMMAND
OF THE CHIEF OF THE GENERAL STAFF



(J.C. HUGHES)
MAJOR GENERAL
GENERAL OFFICER COMMANDING
LOGISTIC COMMAND

Prepared and issued by CONTROLLER, SUPPLY DIVISION HQ LOGISTIC COMMAND

RESTRICTED

NOTICE TO USERS

IT IS IMPORTANT THAT

YOU READ THE PREFACE

BEFORE USING THIS DOCUMENT

RESTRICTED

THE INFORMATION GIVEN IN THIS DOCUMENT IS
NOT TO BE COMMUNICATED, EITHER DIRECTLY OR
INDIRECTLY, TO THE PRESS OR TO ANY PERSON NOT
AUTHORIZED TO RECEIVE IT



AUSTRALIAN ARMY

REPAIR PARTS SCALE

02031

2320-66-089-5185

TRUCK, CARGO, 2-1/2 TON GS,

4X4 W/WINCH

AUST NO1 MK 4

ISSUE 1 JUN 83

**AUTHORISED FOR USE WITHIN THE
AUSTRALIAN ARMY. BY COMMAND
OF THE CHIEF OF THE GENERAL STAFF**

A handwritten signature in cursive script, appearing to read 'J.C. Hughes'.

**(J.C. HUGHES)
MAJOR GENERAL
GENERAL OFFICER COMMANDING
LOGISTIC COMMAND**

Prepared and issued by CONTROLLER, SUPPLY DIVISION HQ LOGISTIC COMMAND

RESTRICTED

AMENDMENT CERTIFICATE

1. Proposals for amendments or additions to the text of this publication are to be made in accordance with paragraphs 16 and 17 of the Preface.

2. It is certified that the amendments promulgated in the undermentioned amendment list have been made in this publication.

Amendments		Amended by (Printed name and initials)	Date of Amending
Number	Date		

III

PREFACE

Purpose of Repair Parts Scale

1. This Repair Parts Scale (RPS) is an entitlement document raised by Documentation Control (Scales) to authorise Units, Technical Support Sub-Units and Workshops that have the trade qualified personnel and facilities to draw those repair parts to which they are entitled, for the repair and maintenance of the Defence inventory of equipment.

Basis of Scale

2. The RPS is assessed on the premise that a maintainable item is any essential repair part or accessory which, through deterioration, breakage, normal wear and tear or loss is likely to require replacement during the expected life of the equipment, and is an item which could not be economically repaired or fabricated in Workshops.

Stocking Quantities

3. Stocking quantities are not shown in this RPS but are available on request from:

Supply Division
 DOCU CON (SCALES)
 PO Box 1932R
 GPO Melbourne 3001

4. The following information is required with each stocking quantity request:

- a. Number of equipments supported.
- b. Duration of support.
- c. Repair level.

How to use RPS

5. Refer to the Group Index page at Chapter 1 of the RPS to locate the group letter(s) and page number of the group required.

6. Refer to the Group Illustration and identify the item required by its illustration number.

7. Refer the illustration number to the group and item number column (column 2) to obtain the designation, manufacturers' detail, number off per assembly, expendability and level of repair details.

8. The NATO Stock Number (NSN) is obtained by noting the Serial Number (column 1) of the item required and referring it to the Serial Number Sequence Index in Chapter 1 of the RPS.

9. If the NSN of an item is known, refer to the NSN Sequence Index to find the Serial Number of the item. Serial numbers of items run consecutively throughout the RPS.

Illustrated and Non-Illustrated Items

10. Against each maintainable item is shown:

- a. A group item number consisting of a letter(s) and number which identifies the component shown on the illustrated plate.
 eg: AB 007 - indicates item number 7 (seven) on illustration group AB.
- b. Unillustrated items have the identifying item number shown as 000.
 eg: AB 000 - indicates that the item is not illustrated and only shown in the text of the group AB.

IV

Scaled Items

11. Scaled items are indicated as such by the Level of Repair column (column 8) having the letters U, F or B printed. A NSN is contained in the indexes for all scaled items.

Non Scaled Items

12. Non Scaled items have the Level of Repair columns blank and do not appear in either the NSN or Serial Number Indexes.

13. Requests for such items are to be carefully examined by units, Workshops and Trade Repair Sections before preparing indents.

14. Reserved

15. Where Manufacturers codes and part numbers are not shown they are available on request from DOCU CON (SCALES).

16. Sup Coy, Bn etc, on receipt of indents for Non Scaled items are to refer them to the Senior RAEME Representative in the formation requesting advice as to whether the item can be fabricated in Workshops. If it is not feasible to fabricate the item in Workshops the Senior RAEME Representative will advise the Senior RAAOC Representative and request immediate provision action.

Scales Change Requests (SI 46)

17. Scales Change Requests may be raised by:

- a. Senior RAEME Representatives, if they consider that previously non scaled items could become a recurring requirement; or
- b. Units, Repair Elements or Sup Coy, Bn who find through user experience that the scale is inadequate either by range or quantity of repair parts.

18. Scales Change Requests, in triplicate are to be forwarded to:

Supply Divison
DOCU CON (SCALES)
PO Box 1932R
GPO Melbourne 3001

19. Scales Change Requests will be acknowledged by DOCU CON. If a change is approved an amendment to the RPS will be issued.

20. It is emphasized that Units, Workshops and Sup Coy/Bn are free to adjust their holdings immediately user experience indicates the need for this. Adjustment action does not require prior approval of a Scales Change Request. The latter is required by Scales so that RPS which may be used for subsequent initial stocking of repair parts reflect the latest usage experience.

Amendments

21. Amendments to this RPS will be notified in the Supply Bulletin.

22. Amendments to this RPS will be issued in the form of replacement numerical indexes and replacement pages.

SCALES CHANGE REQUEST - ARMY

To: Supply Agency (SDC), HQ Logistic Command

From:

Unit Title and Address	Unit Reference Number	▷	
	Repair Parts Scale Number	▷	
	Issue Number	▷	

ITEMS AFFECTED

Serial No	DSN	Designation	*Repair Level

CHANGE RECOMMENDED AND REASON FOR CHANGE

Sample only

ORIGINATING OFFICER

..... (Signature) (Printed Name) (Rank) (Appointment) (Telephone No) (Date)

SDC USE ONLY

Referred to S..... (Date) (Signature)

DISTRIBUTION:	1. PP&A	Sup Div (SDC)	* Unit = U
	2. PP&A (Unit Advice Copy)		Field = F
	3. Assessing Section (PP&A Advice Copy)		Base = B
	4. Originator's Watch Copy		

RESTRICTED

VI

CONTENTS

	Page
Title Page	I
Amendment Certificate	II
Preface	III
Sample Scales Change Request	V
Contents	VI
Distribution	VII

CHAPTER 1 - INDEXES

Section

1. Numerical Index - Serial Number Sequence
2. Numerical Index - NSN Sequence
3. Group Index
4. MFR Code To Name Index

CHAPTER 2 - TEXT

1. Repair Parts Scale - Text

RESTRICTED

DISTRBUTION

RPS 02031

UNIT	QTY	UNIT	QTY
<u>HQ 1MD</u>		MELB WKSP COY	2
1 EME SVCS UNIT	1	331 SUP COY	1
9 RQR	1	PUCKAPUNYAL WKSP COY	2
8/9 RAR	1	ARMED CENTRE	1
HQ 3 BDE	1	ARMY SCHOOL OF TPT	1
49 RQR	2	32 SUP BN	2
HQ 1 SUP GP	1	3 BASE WKSP BN	3
11 SUP BN	2	<u>HQ 4MD</u>	
HQ 1 EME GP	1	4 EME SVCS UNIT	1
1 BASE WKSP BN	2	HQ 4MD	1
102 FD WKSP	1	41 SUP BN	1
		ADELAIDE WKSP COY	2
<u>HQ 2MD</u>		<u>HQ 5MD</u>	
HQ 2 DIV	1	5 EME SVCS UNIT	1
3 RAR	2	16 RWAR	1
2 EME SVCS UNIT	1	HQ 5MD	1
HQ 2 SUP GP	1	51 SUP BN	1
21 SUP BN	2	PERTH WKSP COY	3
HQ 2 EME GP	1	<u>HQ 6MD</u>	
2 BASE WKSP BN	2	HQ 6MD	1
SYDNEY WKSP COY	1	HOBART WKSP PL	1
HQ ASC UNTAG	1	<u>HQ 7 MD</u>	
		HQ 7MD	1
<u>HQ 3MD</u>		<u>SPECIAL ISSUES</u>	
HQ 3 DIV FF GP	1	HQ LOG COMD	2
3 EME SVCS UNIT	1	DOCU CON SCALES	(1)
1 ARMED REGT	2	TPT EQUIP GP	(1)
31 SUP BN	2	MEA	2
RAEME TRG CENTRE	2	INFO CENTRE MAT BE (CANBERRA)	1
HQ 3 SUP GP	1	DMOVT	1
HQ 3 EME GP	1		

RESTRICTED

CHAPTER 1

SECTION 1

NUMERICAL INDEX

SERIAL NUMBER SEQUENCE

RESTRICTED

SERIAL No	DSN
000002	2805-66-029-6663
000003	2805-66-030-8743
000004	2805-66-026-1723
000012	2520-00-848-4446
000013	5305-66-C19-3664
000014	5210-66-019-3557
000015	5305-66-019-3678
000016	5365-00-374-9418
000017	5330-00-594-0658
000018	5330-00-374-94C5
000019	2805-66-013-3255
000020	5305-66-019-3728
000021	5310-66-016-5566
000022	5330-00-374-94C4
000023	5340-66-019-5778
000025	5330-00-374-94C0
000026	2805-66-010-6742
000027	5305-66-015-3920
000028	5340-00-847-9726
000029	2805-66-C18-2046
000030	5306-66-C19-4141
000031	5310-66-016-5954
000032	5306-66-018-2045
000033	5310-66-016-8520
000034	2805-66-010-5730
000035	5305-66-015-3920
000036	5310-66-012-6847
000037	5310-66-013-0067
000038	3020-66-018-2049
000039	2805-66-C17-3557
000041	5306-66-011-3915
000042	2805-66-018-7958
000043	5306-66-C19-0852
000044	5310-66-016-5953
000045	5306-66-018-8925
000046	5306-66-019-3912
000047	5310-66-013-0067
000048	5330-66-017-3962
000049	2805-66-018-7957
000050	5305-66-015-3531
000051	5310-66-C13-0067
000052	4730-66-026-1727
000053	2805-66-016-7556
000054	5330-66-018-5964
000055	4730-66-032-1425
000056	5315-00-276-6515
000057	5315-00-573-5213
000058	4730-66-026-1727
000059	2805-66-C17-4073
000060	5330-66-045-4370
000061	5305-66-019-3712
000062	5310-66-013-0067
000063	6680-66-017-3955
000064	6680-66-017-3956
000065	2920-66-010-7521
000066	5330-00-629-9979
000067	5330-00-214-3983
000068	2805-66-010-6774
000069	5305-66-019-3717
000070	2805-66-011-4868
000071	5330-00-834-2512
000072	5365-00-278-4950
000073	4730-66-010-7568
000074	5330-66-018-7923
000075	5330-66-018-2046

SERIAL No	DSN
000076	5330-00-298-5925
000077	5330-00-374-9403
000078	5365-66-010-8593
000079	2805-66-017-4791
000080	5330-66-018-8194
000081	5330-66-010-5952
000082	5330-00-292-3979
000083	5330-66-018-7962
000084	5330-00-282-8102
000085	5330-00-700-6868
000086	5330-00-146-2736
000087	5330-66-010-6234
000088	5330-00-720-0490
000113	5310-00-734-3069
000114	5310-00-514-8405
000115	3020-00-374-9396
000116	5306-66-011-3914
000117	3110-00-173-1875
000118	5315-66-010-9085
000119	3120-00-713-7074
000120	2805-00-670-9559
000121	2805-66-010-6233
000122	5310-66-010-5961
000123	3020-66-025-0320
000124	5306-66-033-8830
000125	5310-66-013-0070
000126	3020-66-026-1730
000127	2805-66-025-0039
000128	5315-66-010-9086
000129	3120-00-710-6817
000130	2805-00-845-5182
000131	3120-66-013-2815
000132	2805-66-010-5786
000133	3120-66-013-2816
000134	5306-00-213-1635
000135	2805-66-010-5808
000136	5365-00-291-3659
000137	2805-66-026-3723
000138	2805-66-026-3724
000139	2805-66-017-4792
000140	2805-66-017-4793
000141	2805-66-017-4794
000142	2805-66-010-8586
000143	2805-66-044-0075
000144	2805-66-010-5939
000145	2805-66-010-5938
000146	2805-66-010-5940
000147	3120-00-661-6607
000148	2805-66-026-3726
000149	5330-00-292-3979
000150	5315-66-011-4317
000151	5330-66-010-5952
000153	2805-00-601-7055
000154	3120-00-965-0448
000155	2805-66-010-5755
000156	2805-66-010-5754
000157	2805-66-010-5753
000158	2805-66-010-5752
000159	3120-66-019-0569
000160	2805-66-010-5751
000162	5306-00-600-0204
000163	5310-66-011-0529
000181	2805-66-010-5750
000182	5330-66-010-6114
000183	2805-66-095-8742

SERIAL No	DSN
000184	5320-66-017-5456
000185	4010-66-015-8992
000187	2805-66-010-5937
000188	2805-66-018-8776
000189	5306-66-011-0725
000190	5310-66-010-9171
000191	5365-66-010-8593
000192	5330-00-632-4117
000193	2805-00-374-9446
000194	2805-00-075-1731
000196	5360-66-018-8784
000197	2805-00-163-3736
000198	2805-66-018-2047
000199	2805-66-017-2562
000200	2815-00-629-5054
000201	2805-66-017-4740
000202	2805-66-018-8800
000203	2805-00-629-5061
000204	2805-00-386-3655
000205	2805-66-018-8858
000206	5940-00-784-1698
000207	5307-66-010-5717
000208	5310-66-019-3960
000209	5340-66-019-5778
000210	2805-66-017-4738
000211	2805-66-010-6743
000212	2805-00-374-9443
000214	2930-00-900-6732
000215	5305-00-356-4117
000216	3120-66-010-5936
000217	2805-66-010-6259
000218	5340-66-010-9172
000219	2805-00-670-9522
000220	5310-66-019-3958
000221	5360-00-383-3186
000222	2805-00-374-9447
000223	5315-66-011-5220
000224	2590-00-892-8580
000225	5306-66-032-1629
000226	5305-00-734-0134
000227	5310-66-011-0529
000228	3120-00-592-1763
000229	2510-00-848-7048
000252	4710-66-019-1819
000253	4730-66-010-6000
000254	4730-00-277-8274
000255	4820-00-708-9524
000256	4730-00-044-4040
000257	5305-66-015-3841
000259	5330-00-788-8762
000280	2805-66-010-5794
000282	3110-00-198-1906
000283	5360-66-011-2114
000285	2805-66-011-1982
000286	4730-66-032-1425
000287	5365-00-358-3253
000288	2805-00-176-6858
000289	2805-66-017-4085
000290	2805-66-010-6771
000291	2805-66-018-7940
000292	5310-66-016-5994
000293	5306-66-019-3934
000314	5315-66-010-7452
000315	5315-66-010-9552
000316	3020-00-204-2841

SERIAL No	DSN
000317	5310-66-C13-0070
000318	5305-66-019-3721
000319	2805-00-779-7355
000320	5315-00-173-1876
000321	3020-00-793-2345
000322	5330-00-374-9385
000323	2805-66-010-6778
000324	5310-66-016-8518
000325	5305-66-019-3721
000326	5315-66-017-5927
000327	5330-00-720-0450
000328	2805-00-670-9541
000329	2805-00-793-2346
000349	2940-66-010-8613
000350	5310-66-C18-7929
000351	5330-66-C11-2966
000352	2940-66-017-3543
000353	5330-66-011-2965
000355	2940-66-010-6555
000357	5360-66-011-2964
000358	5305-66-019-3751
000359	5310-66-016-5956
000381	5310-66-010-7826
000382	2805-66-019-1672
000383	5306-66-029-1597
000384	5306-66-019-3941
000385	5310-66-016-5955
000386	5310-66-015-5021
000387	2805-66-017-4079
000388	5305-66-019-3695
000389	2805-00-844-9025
000390	2805-66-019-0552
000391	2805-66-019-0558
000392	2990-00-670-9526
000393	2990-00-670-9544
000394	5310-66-045-4403
000415	2940-00-846-9009
000416	2910-66-021-1866
000417	5340-00-843-4715
000418	5330-66-017-4758
000419	4730-66-012-8261
000420	4720-66-018-2060
000421	5340-00-353-4564
000422	2940-00-358-4534
000423	2940-66-018-8816
000424	5365-66-C17-4071
000425	2940-66-023-1917
000426	4730-00-187-4151
000448	2910-66-019-0895
000449	2910-00-288-1652
000450	5330-66-015-3641
000451	2910-66-019-1562
000452	4730-00-142-2177
000453	2910-66-019-1563
000454	5330-00-360-8045
000455	4820-00-358-5622
000456	2910-00-165-9960
000457	5305-66-C19-1864
000458	2910-99-807-7151
000459	5360-66-C19-1564
000460	2910-66-C19-1565
000461	2910-66-018-8179
000462	5310-66-058-4558
000463	5360-66-019-1865
000465	2910-95-850-0576

SERIAL No.	DSN
CC0466	5365-66-026-1737
CC0467	5330-66-101-0881
CC0468	2910-66-019-3549
CC0469	2910-99-807-7137
CC0470	2910-66-015-0892
CC0471	5305-66-019-3721
CC0472	5310-66-013-0070
CC0473	4730-00-277-8768
CC0474	5310-66-016-5997
CC0475	5305-66-015-3830
CC0476	2910-99-405-2748
CC0497	2910-66-045-2849
CC0498	2910-66-048-0263
CC0499	5330-66-045-2672
CC0501	2910-66-106-0490
CC0502	5330-66-109-3403
CC0523	2910-66-017-2556
CC0524	2910-66-017-2579
CC0525	5310-66-016-5997
CC0526	5310-66-017-2581
CC0527	5305-66-017-2580
CC0528	2910-66-017-2557
CC0530	2910-66-017-2582
CC0532	2910-66-017-2560
CC0533	5360-66-017-2583
CC0536	5365-66-017-2584
CC0538	2910-66-016-0392
CC0539	2910-66-015-2832
CC0540	5315-66-028-1143
CC0541	5315-66-017-3881
CC0545	5365-66-017-3884
CC0546	2910-66-017-2564
CC0553	5310-66-015-5026
CC0554	5310-66-013-0067
CC0555	2910-66-017-2567
CC0556	2910-66-017-2566
CC0558	5315-66-017-3892
CC0560	2910-66-017-2573
CC0561	2910-66-017-2578
CC0562	5360-66-017-3890
CC0563	5305-66-015-3824
CC0564	2910-66-017-2572
CC0566	5305-00-358-5484
CC0568	2910-66-017-3895
CC0569	2910-66-017-2574
CC0570	5305-66-017-3896
CC0571	2910-00-362-9265
CC0573	2910-66-017-2575
CC0576	2910-66-017-3898
CC0577	2910-66-017-2568
CC0578	2910-66-017-3899
CC0579	2910-66-017-2569
CC0580	5305-66-017-3900
CC0581	5360-66-017-3901
CC0582	2910-66-017-3902
CC0583	5305-66-017-3903
CC0584	5305-66-018-7955
CC0585	5340-66-027-8326
CC0587	5310-66-015-5026
CC0588	5305-66-017-2576
CC0589	2910-66-017-2570
CC0590	2910-66-017-2577
CC0591	2910-66-018-7964
CC0592	2910-66-018-7966
CC0593	5330-66-018-8790

SERIAL No.	DSN
000614	2590-66-017-4729
000615	3040-66-017-4735
000616	2540-66-018-3297
000617	5305-66-019-3664
000618	5310-66-016-8518
000619	5306-66-018-2085
000620	5310-66-019-3966
000621	5310-00-532-3160
000622	5305-66-015-3828
000623	2590-66-026-1725
000624	5310-66-016-8930
000625	5310-66-019-3958
000627	5340-66-018-5707
000628	5360-66-018-2086
000629	2910-66-018-7820
000630	5305-66-019-3719
000631	5310-66-013-0070
000632	2910-66-017-4722
000633	5310-66-015-5026
000634	5310-66-016-5997
000635	2590-66-026-1725
000636	5340-66-036-6025
000637	5340-00-282-7542
000638	5310-66-016-4349
000639	5340-00-447-5751
000640	2910-00-447-5750
000641	5310-66-015-5026
000642	5310-66-016-5997
000643	2910-66-017-3904
000644	2910-66-024-9517
000645	5305-66-027-3089
000646	5310-66-016-8518
000647	5310-66-016-8929
000659	2930-66-024-9908
000660	2930-66-027-8335
000661	2930-66-027-8336
000662	2510-66-056-3562
000663	5305-66-019-3668
000664	2930-66-010-8587
000665	5365-66-011-0496
000666	5310-66-018-7930
000667	5310-66-018-2180
000668	5306-66-019-3774
000669	2510-66-017-4709
000670	5305-66-019-3666
000671	5310-66-010-7827
000672	5310-66-013-0070
000673	5310-66-012-6819
000674	4720-66-018-3335
000675	4730-66-058-3139
000676	2930-66-024-9921
000677	4720-66-024-9929
000680	2805-66-018-2093
000681	2805-66-018-2092
000682	5325-66-010-8407
000683	2590-00-847-0959
000684	5310-66-018-7931
000685	5310-66-013-5312
000686	5340-66-011-3960
000687	2510-66-010-5849
000688	5330-66-010-6005
000689	4820-66-011-0622
000697	4320-66-025-0044
000698	3020-00-873-2825
000699	2930-66-025-0024

SERIAL No	DSN
000702	2530-00-921-6523
000707	2930-66-017-3946
000709	5305-66-019-3712
000710	5310-66-016-5962
000711	5365-66-025-0025
000712	3030-66-025-002E
000713	2930-00-219-9619
000714	5306-66-018-6567
000715	5310-66-013-0067
000716	2930-00-900-6732
000717	4730-66-012-826C
000718	4720-00-807-24C5
000719	5306-66-019-3927
000720	5306-66-019-4140
000721	5310-66-016-5966
000722	5330-00-298-5925
000723	6620-66-048-0266
000724	2930-66-017-407E
000725	5306-66-019-376E
000726	5310-66-013-0070
000727	2930-66-018-8767
000748	5330-00-447-5370
000749	5307-66-017-24C4
000750	5310-66-019-3958
000751	5310-66-016-5966
000752	2910-66-017-4724
000753	2805-00-594-9377
000754	2805-66-017-4757
000755	5307-66-010-9173
000756	5307-66-017-24C4
000757	4730-00-277-1856
000758	4730-00-277-8274
000759	5310-66-013-4060
000761	5307-66-010-9174
000762	5310-00-275-8643
000763	5306-66-019-3923
000764	5306-66-019-3924
000765	5330-00-355-657C
000766	2805-66-010-6744
000788	5330-00-447-537C
000789	5307-66-017-24C4
000790	5310-66-019-3958
000791	5310-66-016-5966
000792	2910-66-017-4724
000793	2805-00-594-9377
000794	5307-66-017-24C4
000795	2805-66-017-4757
000796	5307-66-010-9173
000797	4730-00-277-1856
000798	4730-00-277-8274
000799	2805-66-026-1731
000800	2805-66-026-1732
000801	5307-66-010-9174
000803	2805-66-010-6744
000804	5330-00-395-6970
000825	5330-00-374-9431
000826	2990-66-017-4664
000827	5306-66-011-3963
000828	5310-00-012-20C6
000829	5306-66-019-3765
000830	2990-66-058-5916
000831	5310-66-016-5966
000832	5310-66-019-3956
000834	2590-66-018-3253
000835	5306-66-019-3755

SERIAL No	DSN
000826	5310-66-013-0067
000837	5310-66-015-5132
000838	2990-66-025-1923
000839	4730-66-024-9966
000840	2990-66-025-1922
000841	2990-66-017-4663
000842	5306-66-019-3680
000843	5310-66-016-5996
000845	5310-66-010-7825
000846	5306-66-019-3788
000847	2990-66-058-5915
000849	5365-00-593-2824
000850	5306-66-019-3785
000851	5310-66-019-3958
000852	5310-66-016-5996
000872	2990-66-024-7268
000873	5306-66-011-3963
000874	5310-00-012-2006
000875	2990-66-024-7267
000876	2990-66-024-7348
000877	2990-66-025-1923
000878	2990-66-024-7269
000879	5306-66-019-3785
000880	5310-66-019-3958
000881	5310-66-016-5996
000882	2590-66-018-3293
000883	5306-66-019-3755
000884	5310-66-013-0067
000885	5310-66-015-5132
000886	2990-66-017-4665
000887	5305-66-019-3680
000888	5310-66-019-3958
000889	5310-66-016-5996
000890	5340-66-024-9391
000891	5306-66-019-3788
000892	5310-66-010-7825
000893	2990-66-026-1735
000894	5306-66-019-3788
000895	5310-66-010-7825
000896	5365-00-593-2824
000897	5365-66-049-7769
000898	4730-66-024-9966
000899	2990-66-025-1922
000900	5305-66-019-3680
000901	5310-66-016-5996
000902	2990-66-017-4663
000922	2520-66-017-4796
000923	2520-66-017-4788
000924	2520-66-017-4790
000925	2520-66-017-4076
000926	5315-66-017-4067
000927	5315-66-017-4068
000928	2520-66-017-4789
000929	2520-66-106-1851
000930	5306-66-106-1839
000931	5360-66-017-2237
000932	2520-66-019-1713
000934	2520-66-017-4077
000936	2520-66-017-4795
000938	2520-66-017-4779
000939	2520-66-017-4787
000940	2520-66-099-7763
000941	3110-00-156-3542
000942	2520-66-034-0345
000943	5310-66-016-5996

SERIAL No	DSN
000944	5305-66-019-3728
000966	4730-66-018-3285
000967	5310-66-018-3282
000969	5315-66-017-5927
000970	2520-66-010-5772
000971	2530-66-027-8231
000972	5305-66-019-3680
000973	5310-66-016-5996
000974	5315-66-010-7453
000975	5306-66-019-3787
000976	2520-66-018-2152
000977	5340-00-230-9591
000978	5310-66-019-3957
000979	5315-66-026-2308
000980	2520-66-027-2457
000981	5360-66-026-2309
000982	2540-66-018-3284
000983	2540-66-018-3286
000984	5315-00-013-8084
000985	5315-66-017-5927
000987	5340-66-025-5082
000988	5306-66-019-3755
000989	5310-66-015-5872
000990	5310-66-010-7421
000991	5310-66-016-8520
000992	5340-66-023-7638
000994	2520-66-011-5752
000995	5310-66-019-3959
000996	5360-66-018-3289
000997	2520-66-018-3279
000998	2520-66-019-0574
000999	2520-66-089-5107
001000	3110-66-054-6577
001001	5306-66-019-3785
001002	5310-66-019-3958
001003	5310-66-016-5996
001004	5315-00-013-8084
001005	5340-66-090-6982
001006	5305-66-019-3721
001007	5310-66-013-0070
001008	2520-66-023-7409
001009	4720-66-023-7632
001010	5310-66-015-5117
001011	2520-66-023-7410
001032	2520-66-031-9477
001033	5310-66-019-3957
001034	5340-66-018-7960
001035	2530-66-010-7566
001036	5340-66-010-7758
001037	2530-99-836-5875
001038	2520-66-011-3735
001039	2530-66-021-0179
001040	2530-99-836-5178
001043	2520-66-010-7588
001044	5310-66-010-7770
001045	2530-99-807-3076
001046	5360-66-010-7751
001047	2520-66-010-7769
001049	2520-66-010-7587
001051	2530-99-401-2080
001071	2520-66-029-0538
001072	2990-99-881-6380
001074	2530-99-836-5668
001078	2530-66-058-5379
001079	2520-66-018-8873

SERIAL No	DSN
001200	2920-66-026-2724
001201	2920-66-026-2725
001202	5977-66-018-5425
001203	2920-66-018-3982
001204	2920-66-017-3909
001206	2920-66-026-2726
001208	2920-66-027-8725
001209	5365-66-027-8726
001210	5360-66-027-8727
001211	5360-66-027-8728
001212	5365-12-136-1032
001213	5365-66-018-3976
001214	2920-66-027-8382
001215	2920-66-027-8383
001216	5365-66-027-8384
001219	2920-66-026-2727
001220	3110-66-018-3977
001223	2920-66-018-3951
001227	5365-66-018-3979
001228	5365-12-131-5177
001229	5340-66-018-5425
001230	5305-66-028-0333
001231	5910-66-026-2728
001232	5330-66-018-5415
001233	5315-66-028-0332
001234	2920-66-027-8385
001235	5330-66-018-5422
001236	3120-66-018-5557
001238	2920-66-018-3984
001239	2920-66-018-3954
001240	2920-66-018-3954
001243	5305-66-028-0333
001244	2920-66-026-2725
001245	2920-66-018-3953
001246	5305-66-028-0334
001247	5340-66-028-0335
001248	2920-66-027-8386
001270	2920-66-010-6238
001274	6145-66-056-8036
001275	5999-66-055-2071
001276	2920-66-026-6489
001277	5975-00-012-0095
001278	2920-66-058-5717
001279	2920-66-010-5941
001280	5305-66-019-3715
001281	5310-66-016-5984
001282	5310-66-012-6819
001283	5910-66-017-3715
001305	5306-66-019-3752
001306	5310-66-010-7825
001307	2805-66-025-2089
001308	5305-66-019-3737
001309	5310-66-016-5984
001310	5305-66-019-3729
001311	5210-66-016-5956
001312	2920-66-027-8817
001313	3030-66-025-0028
001314	2920-66-024-9516
001315	5305-66-019-3678
001316	5210-66-016-5956
001317	5306-66-019-3917
001318	5310-66-026-2311
001319	5310-66-013-0070
001320	3020-66-032-8025
001342	2920-66-032-8020

SERIAL No.	DSN
001343	2920-66-025-1933
001348	5310-66-036-4874
001350	5961-66-032-8023
001352	5999-66-036-0400
001353	5961-66-032-8024
001355	2920-66-036-6027
001358	3110-66-034-0822
001361	5977-66-036-0401
001363	5360-66-032-8022
001385	2920-66-092-5981
001390	5920-66-017-3155
001391	5305-66-016-8273
001392	5310-66-016-8516
001393	5310-66-015-5026
001394	5305-66-051-7440
001397	5940-66-052-5434
001398	5977-66-052-5432
001399	5977-66-092-6198
001400	5360-66-051-7445
001401	5310-66-051-7566
001402	5310-66-051-7567
001403	5305-66-051-7568
001404	5305-66-051-7570
001405	5310-66-098-4439
001406	5910-66-092-6199
001407	2920-66-092-6607
001408	5961-66-052-5433
001409	5305-66-051-7442
001410	5305-66-051-7443
001411	2920-66-092-6605
001412	2920-66-092-6606
001415	2920-66-051-7573
001416	2920-66-051-7571
001417	2920-66-051-7572
001439	2920-66-019-1506
001440	5360-66-018-8891
001441	5977-66-010-7694
001442	3120-66-035-3482
001443	5330-66-023-1916
001444	3120-66-023-1915
001445	2920-66-019-1517
001446	2920-99-802-9476
001447	2920-66-019-1507
001448	5305-66-019-1528
001449	5310-66-019-1529
001450	2920-66-019-1508
001451	2920-66-019-1521
001453	2920-66-019-1522
001454	2920-66-019-1510
001455	5310-66-015-5126
001456	5310-66-013-0070
001457	2920-66-019-1509
001458	5310-66-015-5124
001459	2920-66-019-1511
001460	3120-66-023-7898
001461	5305-66-019-1530
001462	5310-66-028-1790
001463	3120-66-019-1512
001465	5310-66-019-1513
001466	2920-66-018-8890
001467	3120-66-019-1520
001468	2920-66-019-1519
001469	5940-66-011-3545
001471	5305-66-019-1525
001472	2920-66-019-1506
001475	2920-66-019-1516

SERIAL No.	DSN
001476	3120-66-019-1514
001477	5360-66-019-1515
001498	2920-66-034-0330
001499	5305-66-019-3738
001500	5310-66-016-8520
001502	5360-66-034-3550
001503	5305-66-034-3951
001504	5310-66-034-3952
001506	3120-66-093-7898
001507	2920-66-034-0332
001508	2920-99-802-9476
001509	2920-66-034-0334
001512	2920-66-034-0335
001513	2920-66-034-0336
001514	5310-66-034-3954
001515	5310-66-034-3955
001516	2920-66-034-0337
001517	3120-66-053-7898
001518	2920-66-034-3956
001520	5310-66-019-1513
001521	5365-66-019-1532
001522	2920-66-034-0340
001524	3120-66-034-0342
001530	2920-66-034-0343
001533	5305-66-034-3958
001535	2920-66-034-0344
001556	2920-66-048-0367
001557	5310-66-034-3952
001558	3120-66-095-8840
001559	5977-66-096-4375
001560	5977-66-092-5474
001561	5365-66-054-8867
001565	2920-66-048-0370
001567	5310-66-015-5029
001568	5310-66-016-5980
001570	5310-66-019-3956
001574	5310-66-028-1790
001580	2920-66-048-0369
001581	5977-66-047-2863
001582	2920-66-048-0368
001584	5305-66-048-0442
001585	2920-66-107-6341
001586	2920-66-107-6344
001587	2920-66-107-6343
001588	2920-66-107-6342
001605	2520-66-018-2050
001606	2520-66-023-8404
001607	2520-00-848-4370
001608	5305-66-019-3730
001609	5306-66-019-3788
001610	5310-66-016-5996
001611	5340-00-700-1521
001612	3110-00-100-6186
001613	5340-00-383-9674
001614	2520-66-018-8909
001615	2520-66-019-0551
001616	2520-66-018-7963
001617	3110-00-100-6170
001618	5315-00-734-7864
001619	2520-66-018-8916
001620	2520-66-018-8918
001621	5305-66-018-8923
001622	2510-00-854-1709
001623	2520-00-938-2503
001624	2520-66-018-8827

SERIAL No	DSN
001625	3110-00-073-3472
001626	2520-66-018-8825
001627	2520-66-018-8911
001628	5365-66-065-1819
001629	5310-00-269-5901
001630	3110-00-155-6188
001631	2920-00-892-3007
001632	5340-66-018-8929
001633	3120-66-019-0547
001634	3120-66-019-0545
001635	3120-66-019-0544
001636	2520-66-018-2052
001637	2520-66-099-7767
001642	2520-00-076-1299
001643	2520-00-758-8058
001644	3120-66-018-8921
001645	3120-66-018-8920
001646	3120-66-092-6077
001647	5340-66-018-8928
001648	3020-66-018-8914
001649	2520-00-077-1067
001650	2520-66-018-8913
001651	2520-00-763-6318
001652	5340-66-018-8953
001653	5340-66-018-8955
001654	5340-66-018-8954
001655	3110-00-117-0693
001656	5310-00-273-7717
001657	5365-00-282-6357
001658	3020-00-846-4855
001659	5365-00-378-1206
001660	2520-00-846-4857
001661	3020-66-018-8824
001662	5315-66-017-5171
001663	2520-66-018-2051
001664	3110-00-554-5960
001665	5310-00-214-3198
001666	3110-00-112-6321
001667	3020-66-018-8824
001668	3120-66-019-1661
001669	3120-66-018-8912
001670	2520-00-311-1606
001671	5305-66-019-3728
001672	5310-66-016-5956
001673	2520-00-392-3526
001674	2520-66-018-8813
001675	3110-00-991-7538
001676	5310-66-019-0540
001677	5330-01-043-4195
001678	5330-66-019-0537
001679	2520-66-019-0538
001680	5305-66-019-3721
001681	2805-66-018-7958
001682	5365-00-378-1208
001683	5340-00-054-1422
001684	2520-66-019-0536
001685	5305-66-035-7584
001686	5310-66-013-0078
001687	5306-66-035-7583
001688	4730-66-031-6515
001689	5340-00-383-9555
001690	5305-66-019-3728
001691	5310-66-016-5956
001692	5330-00-447-3466
001693	4730-66-019-0535

SERIAL No	DSN
001694	2520-66-019-0534
001695	5305-66-019-3730
001696	5310-66-016-5996
001697	2520-00-383-4585
001698	5330-00-843-3689
001699	5330-66-019-4283
001700	5305-00-206-9523
001701	5330-00-378-1210
001702	5310-66-019-0530
001703	5310-66-019-0531
001704	5330-66-018-2053
001705	9905-66-031-8498
001706	5365-66-065-1819
001707	2520-66-018-2134
001708	2520-00-383-4585
001728	2520-66-019-0572
001729	5305-66-019-3744
001730	5306-66-019-0568
001731	5310-66-016-5993
001732	5310-66-019-4113
001733	5360-00-249-3540
001734	5310-66-011-5511
001735	2510-00-900-8840
001736	4730-00-172-0034
001737	2520-66-025-1544
001738	5306-66-019-3768
001739	5305-66-013-0070
001740	2520-66-025-1543
001741	5355-00-152-8353
001742	5306-66-024-7361
001743	5310-66-016-5996
001744	5310-66-010-7825
001745	3120-66-024-7360
001746	2520-66-017-4739
001747	2520-66-024-7349
001748	5310-66-016-8934
001749	5310-66-019-4122
001750	5315-66-017-5936
001751	2520-66-017-4065
001752	5310-00-844-6615
001753	2520-66-019-0849
001754	2520-66-018-8917
001755	5310-00-843-1921
001756	5340-66-018-8930
001757	2520-00-847-0795
001758	5310-66-016-5994
001759	5305-66-019-3739
001760	5315-00-936-7097
001761	2520-00-083-6965
001762	5310-66-019-3960
001763	5310-66-016-5993
001764	2520-00-728-7387
001765	5330-00-846-2398
001766	2520-66-017-4069
001767	5315-00-854-1223
001768	2520-66-018-8910
001769	5360-00-741-9046
001770	5310-66-017-4066
001771	5340-66-018-8927
001793	2520-66-017-4605
001794	2520-66-018-5878
001795	2520-66-011-1981
001796	3120-66-010-6621
001797	3020-66-010-5837
001798	3040-66-017-4088

SERIAL No	DSN
001799	5365-66-018-7926
001800	3110-00-100-0271
001801	3110-00-100-0323
001802	2520-66-018-8157
001803	3120-66-017-4087
001804	3040-66-017-4090
001805	3120-66-011-2109
001806	5310-00-274-8214
001807	5315-66-017-5938
001808	5310-00-529-8434
001809	2520-66-017-4093
001810	2520-66-019-0557
001811	5330-66-018-8168
001812	5330-66-017-3796
001813	5310-66-010-5989
001814	5305-66-019-3668
001815	5310-66-013-0070
001816	3110-00-100-0268
001817	3110-00-100-0323
001818	3120-66-010-6622
001819	5365-66-010-6073
001820	2520-66-010-7923
001821	3040-66-017-4092
001822	3110-00-100-0655
001823	3110-00-100-0331
001824	5310-66-011-2793
001825	3020-66-010-6597
001826	5365-66-010-6567
001827	2520-66-010-5831
001828	5365-66-010-6072
001829	3020-66-010-6598
001830	5330-66-017-3798
001831	5330-66-018-8167
001832	2520-66-017-4091
001833	5310-66-017-4688
001834	2520-00-706-5892
001835	3020-00-844-4981
001836	3120-00-661-9380
001837	6680-66-017-3777
001838	3110-66-017-4604
001839	5310-66-010-6640
001840	2520-00-873-2833
001841	5365-66-010-6568
001842	5365-66-010-6074
001843	2520-66-017-4606
001844	2520-66-010-6685
001845	2520-66-011-6327
001847	2520-66-017-4089
001848	5330-66-017-3799
001849	3130-66-017-4687
001850	5330-66-018-8158
001851	2520-66-017-3797
001852	5330-66-018-8196
001853	5365-66-018-5968
001854	4820-00-726-4719
001855	4730-66-011-4927
001877	5306-66-019-3788
001878	5310-66-019-3958
001879	5310-66-016-5996
001880	5365-66-011-2133
001881	2510-66-017-4611
001882	5307-66-034-5722
001883	5310-66-019-3962
001884	5310-66-013-0078
001885	2520-66-010-5705

SERIAL No	DSN
001886	5306-66-019-3785
001887	5310-66-016-5996
001888	5310-66-016-8930
001889	5305-66-019-368C
001890	5310-66-019-395E
001891	5310-66-016-5996
001892	2520-66-010-5706
001894	2520-66-010-6413
001895	5365-66-011-5046
001896	5310-66-019-3962
001897	5310-66-015-5118
001898	5307-66-034-5724
001899	5307-66-034-5725
001900	5310-66-019-3963
001901	5310-66-013-0079
001902	5306-66-011-2935
001903	5310-66-015-4124
001904	5310-66-010-6375
001905	5310-66-019-396C
001906	5310-66-016-5993
001907	5305-66-015-3701
001908	2520-66-010-5669
001909	2520-66-010-5770
001910	2520-66-010-5758
001932	4720-66-029-2072
001933	4730-66-030-0664
001935	5315-00-013-8064
001936	5315-00-842-3044
001937	3040-66-018-215C
001938	5340-66-090-6962
001939	5310-66-019-3958
001940	4730-66-025-2068
001942	5305-66-019-3652
001943	5310-66-019-3956
001944	5310-66-013-0667
001945	4720-66-025-2065
001946	4720-66-025-2071
001947	4730-00-254-6211
001949	5355-00-152-8353
001950	2520-66-018-3796
001951	2520-66-017-4765
001952	4730-66-031-0664
001953	5315-66-010-7453
001954	5310-66-019-3963
001955	5310-66-013-0079
001957	4730-66-025-2070
001958	4710-66-036-3264
001959	4730-00-011-6452
001960	4710-66-019-1817
001962	5340-66-036-6446
001984	5315-66-017-5926
001985	5310-66-012-6847
001986	5360-66-024-4055
001987	2520-66-024-6846
001988	5365-99-943-6554
001989	5315-66-024-506C
001990	5340-66-019-0634
001991	5365-99-942-6262
001992	5315-66-019-0632
001993	2520-66-024-6847
001994	5355-00-152-8353
001995	2520-66-018-3913
001996	4730-66-031-0664
001997	5315-00-013-8064
001998	5315-66-018-7823

SERIAL No	DSN
001999	2520-66-018-3912
002002	5305-66-010-9350
002003	5310-66-013-0070
002004	5310-66-019-3957
002005	5340-66-024-6848
002027	5340-00-054-1404
002028	5365-66-018-3287
002029	5360-66-011-2488
002030	2520-66-019-0635
002031	5340-66-011-2637
002032	5305-66-018-5710
002034	5306-66-019-0841
002035	5310-66-019-3958
002036	5310-66-016-5996
002037	3040-66-026-2325
002038	3040-66-026-2327
002039	3040-66-026-2326
002040	5315-66-011-2489
002041	3040-66-026-2324
002042	5330-66-027-9315
002043	2520-66-019-0636
002044	2520-66-011-2174
002045	2520-66-011-2175
002046	5315-66-011-2924
002047	5340-66-019-0578
002048	5306-66-019-3782
002049	5310-66-019-3958
002050	4730-66-010-9161
002051	5360-66-010-6590
002052	2520-66-010-5765
002053	2520-66-019-0639
002054	3110-00-100-6180
002055	2520-66-017-4086
002056	2520-66-010-5768
002057	5365-66-018-8174
002058	2520-66-010-5805
002059	5306-66-019-3770
002060	5310-66-013-0070
002082	2520-66-025-2073
002083	5365-66-026-2321
002084	5365-66-026-2322
002086	5330-66-013-6045
002087	2520-66-027-8489
002088	5310-66-028-0425
002089	2530-00-733-4654
002090	5310-66-026-2318
002091	5330-66-026-2320
002092	5305-66-028-0426
002093	5360-66-026-2319
002095	5305-66-028-0427
002119	2520-66-025-2067
002120	2530-66-060-4413
002122	5330-00-604-3368
002123	5360-00-852-0840
002124	5315-00-422-7768
002126	4730-00-626-0228
002127	2530-00-977-0779
002128	5360-00-977-0780
002129	5330-00-733-4599
002131	2530-66-026-2328
002132	5305-66-015-3823
002154	2520-66-019-1543
002155	2520-66-019-1767
002156	2520-66-027-8996
002157	4730-66-038-0295

SERIAL No	DSN
002158	2520-66-019-1542
002159	2520-66-019-1554
002160	5330-00-290-9373
002161	5310-66-019-1539
002162	2520-66-018-8905
002163	2520-66-018-2134
002164	2520-66-018-2136
002165	2520-66-017-4089
002166	2520-66-017-4091
002167	2520-66-018-2135
002168	5306-66-019-1743
002169	5310-66-019-3960
002170	5310-66-016-5993
002192	2520-66-025-1945
002193	2520-66-025-1946
002195	3120-66-010-6623
002196	5307-66-026-2807
002197	5310-66-016-5993
002198	5310-66-016-8930
002199	5330 -66-010-6684
002200	2520-66-010-5670
002201	2520-66-010-5671
002202	4730-66-011-4089
002203	5307-66-010-6122
002204	5365-66-010-8599
002205	5365-66-010-8598
002206	5365-66-026-1724
002207	5305-66-019-3652
002208	5310-66-013-0067
002209	3110-00-198-2170
002210	3110-66-018-6997
002211	2520-66-010-5647
002212	2520-66-062-5267
002213	2520-66-062-5266
002214	2530-00-546-0078
002215	2530-00-547-6352
002216	5310-66-015-5075
002217	5306-66-018-3435
002218	5310-66-019-3960
002219	5310-66-016-5993
002221	5306-66-019-3883
002222	5310-66-019-3959
002223	2520-66-010-5690
002225	5310-66-019-4125
002226	2530-66-018-5723
002227	2530-66-018-5722
002228	2530-66-010-6180
002229	4820-00-726-4719
002230	4730-00-021-9302
002231	4730-66-018-3460
002232	2520-66-010-5691
002233	2520-66-010-5690
002234	5310-66-011-0672
002235	3120-66-010-6876
002236	5307-66-025-1947
002237	5310-66-019-3960
002238	5310-66-016-5993
002239	5330 -66-010-6683
002240	3110-00-100-0585
002241	3110-00-142-4357
002242	2520-66-010-5673
002243	2520-66-010-5674
002244	2520-66-010-8624
002245	5330-66-010-9087
002246	5310-66-010-8360

SERIAL No	DSN
002247	5330-66-011-1957
002248	2530-66-011-1257
002249	5310-66-015-5074
002250	5310-66-013-0076
002251	9505-66-011-9348
002252	5307-66-010-6121
002253	2530-66-010-7917
002254	2530-66-010-5676
002255	2520-66-010-6666
002256	2520-66-010-5678
002257	5310-66-011-3840
002258	5305-66-019-3741
002259	5310-66-016-5953
002260	5330-66-010-6661
002261	5330-00-282-8102
002262	5330-66-010-6650
002263	2520-66-018-3374
002264	5365-66-011-0675
002265	2520-66-010-5801
002266	2530-66-021-5704
002267	5305-66-019-3704
002268	5310-66-019-3960
002291	2520-66-018-3510
002292	2520-66-029-6664
002293	5310-66-011-3840
002294	2520-66-018-3374
002295	2520-66-010-6666
002296	2530-66-018-3354
002298	2520-66-010-6664
002299	5310-66-026-2809
002300	5306-66-018-7818
002301	5310-66-016-8930
002302	2520-66-018-3375
002303	4820-00-726-4715
002304	2520-66-021-7662
002305	2530-66-021-5704
002306	2530-66-010-5676
002307	4730-66-018-3460
002308	4730-00-021-9302
002330	2530-66-010-6174
002331	2530-66-011-1974
002332	5330-66-117-2177
002333	2530-66-011-1973
002334	5310-66-011-2007
002335	3110-00-100-0305
002336	3110-00-100-0305
002337	3110-00-142-4361
002338	2520-66-025-1945
002339	2530-66-010-5703
002340	5305-00-984-6206
002341	5310-66-016-5957
002342	3110-66-013-9299
002343	3110-00-100-0328
002344	5330-66-018-3352
002345	5306-66-018-3307
002346	5310-66-011-0674
002347	5307-66-011-2917
002369	2520-66-018-3373
002370	5315-66-017-5909
002371	2520-00-529-8430
002372	5306-66-011-0522
002373	5330-00-219-9516
002374	2520-00-390-8976
002375	2520-00-577-0278
002376	3110-00-100-7332

SERIAL No	DSN
002377	3110-00-229-0272
002378	3110-00-929-4083
002379	5365-00-529-8442
002380	5365-00-529-8443
002381	2520-00-630-0148
002382	5365-00-529-8445
002383	5365-00-383-4754
002384	5365-00-219-9397
002385	5365-00-529-8457
002386	5365-00-378-7253
002387	2520-00-385-2560
002388	3110-66-032-3450
002389	5330-00-383-4655
002390	5330-66-010-6063
002391	5310-00-291-2959
002392	5306-66-011-2006
002393	5310-66-016-8506
002394	2520-66-019-0557
002395	2520-66-017-4089
002396	5310-00-529-8434
002397	5310-00-274-8214
002398	5330-00-847-8547
002399	3020-00-848-2906
002400	5306-66-013-4119
002401	5306-66-011-1566
002402	5310-66-016-5994
002403	3110-00-100-0381
002404	3110-00-100-3095
002405	2520-00-374-9382
002406	3020-00-294-8810
002407	3120-00-383-4792
002408	2520-00-090-5761
002409	5310-66-013-5312
002410	5306-00-298-8676
002411	2520-00-374-9381
002412	3120-00-288-2905
002413	2520-00-219-8231
002414	5320-66-010-8411
002415	2520-66-011-3518
002416	2520-66-010-6398
002417	5305-66-019-3714
002418	5305-66-019-3712
002419	5310-66-013-0067
002440	2590-66-017-4782
002441	5310-66-015-7009
002442	5310-66-017-8292
002443	5365-66-019-1825
002444	3120-66-011-2961
002445	4730-66-011-4090
002446	5315-66-012-4462
002447	2590-66-019-1826
002448	2590-66-019-1827
002449	3110-00-156-8062
002450	5365-99-910-8337
002451	5330-66-011-2959
002452	5315-66-018-6102
002453	2590-66-018-6986
002454	4730-66-013-9250
002455	2590-66-019-1849
002456	3830-00-217-9772
002457	5310-66-012-6820
002459	5306-66-019-3889
002460	2590-66-019-1863
002461	5310-66-016-5993
002462	5310-66-019-3960

SERIAL No	DSN
002463	5340-99-910-9215
002464	2520-66-019-1859
002465	2590-66-019-1858
002466	5330-66-011-2956
002467	5305-66-019-3702
002468	5330-66-011-2958
002469	3120-66-011-2957
002470	2590-66-019-1854
002471	5305-66-019-1780
002472	3830-00-718-7491
002473	5360-00-573-3334
002474	5365-66-019-1828
002475	3120-66-011-3831
002476	2590-66-037-3329
002477	5305-66-013-9196
002479	2590-66-019-1852
002480	5305-66-019-3712
002481	2590-66-011-2854
002482	2590-66-018-8884
002483	3120-66-019-1814
002484	2590-66-019-1868
002485	2590-66-019-1824
002486	5305-66-028-0749
002487	5365-99-910-8205
002488	5365-99-910-8238
002489	5360-66-019-1813
002490	5310-66-019-1857
002491	2590-66-019-1855
002513	2590-66-036-6137
002515	5306-66-019-3883
002516	5310-66-019-3960
002517	5310-66-016-5993
002518	5305-66-028-3024
002519	5310-66-019-3964
002520	4010-66-018-2076
002521	4030-66-020-3144
002522	5340-66-058-4583
002523	5305-00-298-3187
002524	5310-66-016-5990
002525	4010-66-018-2067
002526	4030-66-013-0217
002527	5315-66-018-6102
002528	2590-66-018-6986
002529	2520-66-011-6694
002530	2520-00-702-4578
002531	5305-66-019-3693
002532	5305-66-019-3691
002533	5310-66-019-3959
002534	5310-66-016-5994
002535	5315-00-532-5486
002537	5315-66-018-7185
002538	5340-66-037-4381
002539	5306-66-019-3782
002540	5310-66-019-3958
002541	5310-66-016-5996
002542	2590-66-058-4584
002543	5305-00-298-3187
002544	5310-66-016-5990
002545	4010-66-044-0124
002567	5306-66-019-3755
002568	5310-66-012-6819
002569	5310-66-013-0067
002570	5310-66-019-3956
002571	4730-66-026-2559
002572	4710-66-060-0554

SERIAL No	DSN
002573	4710-66-015-1819
002574	2590-66-018-5715
002575	4730-66-025-206E
002576	5310-66-016-85C7
002577	4710-66-037-40C8
002578	4710-66-037-40C9
002579	2590-66-018-3417
002580	4730-66-011-2053
002582	5305-66-019-3654
002583	5310-66-013-0067
002584	5310-66-019-3956
002585	2530-66-018-335E
002586	2530-66-018-3359
002587	4710-66-054-8874
002610	2590-66-011-303E
002611	5305-66-028-178E
002612	5310-66-016-5956
002613	5355-66-019-18C6
002617	5306-66-027-82E4
002620	2530-66-019-18C8
002621	5330-66-019-3527
002622	5260-66-019-3525
002624	2590-66-019-3526
002625	2590-66-036-6113
002626	5310-66-018-33C6
002627	2590-66-060-0552
002628	9905-66-031-0571
002649	2590-66-018-817E
002651	5307-66-019-35C1
002652	5310-66-019-3957
002653	5330-66-019-163E
002654	2590-66-023-74C1
002655	5310-66-019-1640
002656	2530-66-019-35C3
002658	2530-66-019-1637
002659	2530-66-019-1853
002660	2530-66-019-1821
002661	2590-66-037-751E
002662	5330-66-019-35C0
002663	4730-66-019-1854
002664	5340-66-019-1855
002665	5305-66-028-0877
002666	5310-66-019-1641
002667	5310-66-016-8929
002668	2590-66-026-2775
002690	2590-66-011-303E
002692	4730-66-023-83E1
002702	2590-66-011-3037
002704	5310-66-010-6376
002705	5310-66-013-0070
002706	5310-66-012-6815
002707	5305-66-010-935C
002708	5305-66-018-3023
002709	5340-66-093-17C9
002732	4730-66-033-3813
002733	4710-66-093-17C7
002734	4710-66-093-17C6
002735	4710-66-093-17C8
002748	2530-66-01C-5E55
002749	5340-00-843-47C2
002750	2530-66-025-20E2
002751	2530-66-018-207E
002752	2530-00-219-9490
002753	2510-00-012-115E
002754	5310-66-010-7825

SERIAL No	DSN
002755	2530-00-433-2950
002756	5306-66-019-3785
002757	5310-66-019-3958
002758	5310-66-016-5996
002759	3040-66-019-8508
002760	5310-66-019-3958
002761	3040-66-027-8810
002762	5340-66-090-6982
002763	4730-66-015-0657
002764	5310-66-019-3960
002765	5310-66-016-5993
002766	4730-00-172-0034
002767	2530-66-018-3419
002768	3120-66-018-6994
002769	2530-66-017-4720
002770	5310-66-019-3958
002771	2530-66-017-4716
002772	2530-66-017-4717
002773	5310-66-019-3962
002774	5310-66-013-0078
002775	2530-66-018-2124
002776	5310-66-019-3958
002777	2530-66-018-3430
002778	5310-66-019-3959
002779	5315-66-092-5540
002780	2530-66-010-6403
002781	2530-66-018-6995
002782	5310-66-016-8934
002783	5310-66-019-4122
002784	4730-00-050-4208
002785	2530-66-017-4718
002786	2530-66-018-3372
002787	2530-66-018-3377
002788	2530-66-018-6995
002789	2530-66-018-3429
002790	5310-66-019-3958
002791	2530-66-018-3428
002792	2530-66-018-2125
002793	5310-66-019-3958
002815	5306-66-019-7074
002816	5310-66-019-3959
002817	5310-66-016-5994
002818	5310-66-016-8929
002822	5310-66-019-3960
002823	5310-66-016-5993
002824	4720-66-018-2182
002825	3030-66-013-4905
002826	2590-66-017-4702
002827	5330-00-752-8605
002828	5315-66-017-5937
002829	3020-66-011-4374
002831	4730-66-011-9696
002832	5305-66-018-6122
002833	5310-66-019-3957
002834	4720-66-017-4723
002836	5340-00-282-7542
002837	5305-66-019-3652
002838	5310-66-019-3956
002839	5310-66-013-0067
002840	5306-66-019-3924
002841	5310-66-016-5996
002843	4710-66-023-6024
002844	4730-00-011-6452
002845	4730-66-017-2402
002846	4730-00-266-0538

SERIAL No	DSN
002847	2530-66-018-2181
002870	2530-66-030-7435
002871	5310-00-275-9453
002873	2530-00-213-7423
002874	5305-66-019-3720
002875	5310-66-013-0070
002877	3110-00-554-3184
002879	3120-66-058-5415
002880	3120-00-753-9369
002881	3120-00-753-9370
002882	2530-00-753-9371
002883	2530-00-753-9362
002884	5315-66-017-5178
002885	2530-00-392-4422
002886	5306-00-534-6178
002887	5310-00-208-4734
002888	3120-00-737-2708
002889	2530-00-537-0960
002890	2530-66-019-0986
002891	2530-66-019-0985
002892	2530-66-019-0984
002893	2530-66-019-0983
002894	2530-66-011-4892
002895	2530-00-020-8549
002896	2530-66-011-3465
002897	2530-66-011-3464
002898	2530-00-604-9891
002900	2530-00-609-7103
002902	5305-00-637-9493
002903	5310-66-016-5996
002913	2530-00-509-9789
002914	2530-00-515-1236
002917	2530-66-011-2894
002918	5340-00-200-4885
002919	2530-00-609-7102
002920	5307-66-028-3021
002921	5310-66-013-0070
002922	5306-66-019-3920
002924	2530-00-601-2876
002925	2530-00-568-7620
002926	5360-00-246-7012
002927	5365-00-384-8659
002929	5365-00-931-6779
002930	4730-66-018-8175
002931	5305-66-019-3720
002932	5310-66-013-0070
002936	3110-66-051-7081
002937	5310-66-013-0070
002938	5305-66-019-3720
002940	4730-00-788-5959
002941	4730-00-788-5959
002942	5305-66-028-0455
002943	5310-00-087-0306
002945	5310-00-087-0306
002946	5305-66-028-0455
002948	5330-00-531-3197
002949	2530-66-019-3529
002950	2530-00-062-4260
002951	2530-00-630-4058
002973	2530-00-753-0709
002974	2530-00-922-3522
002975	5340-00-738-7552
002982	2530-00-225-0706
002983	5360-00-079-1940
002986	2530-00-117-9103

SERIAL No	OSN
002989	2815-00-603-1532
002954	4730-00-626-0228
002955	2530-00-571-1910
003017	2530-66-025-2056
003018	5305-66-027-3089
003019	5310-66-016-8518
003020	5305-66-028-0440
003021	5310-66-016-8517
003022	2530-00-715-4906
003023	2530-00-610-2587
003025	5315-66-017-5926
003026	5315-66-028-1787
003027	3120-00-629-2555
003028	5315-66-028-0442
003029	5315-66-017-5926
003030	5340-66-028-0754
003031	5340-00-977-0840
003032	2530-00-629-6845
003033	2530-66-027-8618
003034	5305-66-019-3668
003035	5310-66-019-3957
003036	5310-66-013-0070
003039	5310-00-631-0926
003040	2530-66-019-0958
003041	5310-66-028-1144
003042	5310-66-028-1142
003044	2530-00-577-0782
003045	2530-66-015-0956
003046	5360-00-629-2560
003048	2530-66-039-2153
003050	2530-00-629-2562
003051	5306-00-712-3285
003052	2530-00-629-2602
003053	5310-66-013-0070
003055	2530-00-977-0781
003056	2530-00-732-5144
003097	2530-00-561-8253
003098	5306-66-019-3642
003099	5310-66-016-5956
003100	5340-66-028-0448
003101	5365-00-832-7657
003102	2530-95-881-7540
003103	2540-00-832-7704
003104	5305-00-741-3314
003106	5310-00-270-8824
003107	5365-00-696-0316
003110	2530-00-319-6003
003112	2530-00-832-7656
003113	2530-00-577-2553
003120	4730-66-028-0450
003121	5305-66-019-0857
003122	2530-66-018-6956
003123	5306-66-019-3524
003124	5310-66-016-5956
003125	2530-66-019-1856
003147	2530-66-033-9968
003148	5310-66-016-5956
003149	5306-00-519-6666
003150	5315-66-034-3657
003151	5355-66-034-4070
003152	2530-66-033-9965
003155	5310-00-519-6552
003156	2530-66-034-0325
003159	2530-00-420-8605
003162	2530-66-034-0327

SERIAL No	DSN
003165	2530-66-068-0471
003166	5305-00-519-7976
003167	5310-66-034-3947
003168	2530-66-034-0328
003174	5305-66-034-3948
003176	5360-66-034-3949
003177	2530-66-018-6996
003178	5310-66-016-5996
003179	5306-66-019-3925
003180	5340-66-028-0448
003181	5310-66-016-5996
003182	5306-00-519-6666
003183	2530-00-852-6410
003195	2530-00-757-0749
003203	5306-66-019-3777
003204	5310-66-019-3957
003210	2530-00-601-2963
003214	2530-00-602-1273
003215	5305-66-019-3719
003216	2530-95-824-9979
003217	2530-66-117-3822
003238	2530-66-027-2458
003239	5365-66-027-8615
003240	2530-66-019-1571
003241	5307-66-026-2492
003242	5310-66-016-5996
003243	5310-66-019-3958
003244	5307-00-977-0843
003245	5310-66-016-5994
003246	5310-66-019-4112
003247	5310-66-013-0078
003248	5310-66-019-3962
003249	4730-00-788-5959
003250	2530-66-019-1570
003252	4730-00-012-7951
003253	2530-66-019-1576
003254	2530-00-807-6503
003255	2530-66-019-1575
003256	5306-00-811-5685
003257	5310-00-810-8558
003258	2530-66-019-1614
003259	2530-66-019-1569
003260	5360-00-806-7692
003262	5330-00-559-2787
003263	2530-66-026-2494
003264	5330-66-027-8616
003265	5330-00-752-7751
003266	5365-66-027-8614
003288	2530-66-018-8899
003289	2530-66-019-1812
003290	5330-66-019-1809
003291	2530-66-019-1870
003292	5310-66-028-0439
003293	2530-66-019-1811
003294	5330-66-019-1810
003296	5340-66-018-5987
003299	2530-66-019-8080
003303	5360-66-019-1820
003305	2530-66-019-1815
003306	2530-66-018-8898
003328	2530-66-019-3538
003329	2530-66-019-3539
003330	2530-66-011-2886
003331	5305-66-019-3652
003332	5310-66-013-0067
003333	2530-66-019-3505

SERIAL No	DSN
003334	2530-66-018-8992
003335	2530-99-836-3600
003338	5340-66-011-2887
003339	5315-66-017-5937
003340	2530-66-011-2178
003341	2530-99-836-4706
003342	5310-66-019-3958
003343	5315-99-836-4729
003344	5310-66-016-6003
003345	5307-66-019-3509
003346	5310-66-016-5996
003347	5310-66-019-3958
003348	2530-66-019-3641
003353	2530-66-019-1612
003354	2530-66-019-1613
003355	2530-99-881-8300
003357	2530-99-836-4723
003358	5330-66-019-1608
003359	2530-66-018-8902
003361	2530-99-813-5765
003362	2530-99-813-5765
003363	2530-66-011-3024
003364	5305-66-028-1141
003365	5340-99-881-8126
003366	2530-99-401-2115
003367	2530-99-401-2116
003368	2530-66-011-2146
003373	2530-99-836-4723
003374	2530-66-011-2641
003375	2530-66-011-2642
003376	5340-99-881-4961
003377	2530-66-011-2270
003378	3110-00-100-6180
003381	5340-66-011-2538
003382	2530-99-836-5286
003384	2530-66-011-2141
003385	5330-66-104-6707
003386	2530-66-011-3937
003407	2530-66-019-1604
003408	2530-66-011-3789
003409	2530-66-011-2886
003410	5310-66-013-0067
003411	5305-66-019-3652
003412	2530-66-019-3505
003413	2530-66-018-8992
003414	2530-99-836-3600
003417	5340-66-011-2887
003418	5315-66-017-5937
003419	2530-66-011-2178
003420	2530-99-836-4706
003421	2530-99-815-8111
003422	5315-99-836-4729
003423	5330-66-104-6707
003424	2530-66-011-2143
003425	5310-66-019-1605
003426	5305-66-028-0338
003427	2530-99-804-8306
003432	5360-66-019-1611
003433	2530-66-019-1612
003434	2530-66-019-1613
003435	2530-99-881-8300
003437	2530-99-836-4723
003438	5330-66-019-1608
003439	2530-66-019-1607
003440	2530-99-814-0915

SERIAL No	DSN
003441	5310-66-016-5556
003442	5310-66-019-3958
003443	2530-99-813-5765
003445	2530-66-011-3024
003446	5305-66-028-1141
003447	5340-99-881-8126
003448	2530-99-401-2115
003449	2530-99-401-2116
003450	2530-99-401-2115
003455	2530-99-836-4723
003456	2530-99-833-9253
003457	2530-66-019-1561
003458	5340-66-019-1560
003459	2530-66-019-1559
003462	2530-66-019-1557
003464	3110-00-100-6180
003465	2530-66-011-2270
003466	5240-99-881-4961
003467	2530-66-023-4516
003468	5340-66-019-1562
003469	4730-99-836-6465
003470	2530-66-019-1563
003471	2530-66-026-2495
003472	2530-99-802-1061
003475	5365-99-822-7075
003476	5310-66-018-0212
003477	5330-99-836-6848
003478	2530-66-018-8900
003479	2530-66-019-1567
003480	2530-66-019-1603
003502	5305-66-019-3652
003503	5310-66-019-3956
003504	5310-66-013-0067
003506	4730-66-018-6958
003507	5310-66-016-8501
003508	4710-66-036-6439
003509	2530-00-979-5545
003510	4730-00-200-0437
003511	4730-00-054-2572
003512	4710-66-037-1782
003513	4730-66-017-2370
003514	2530-66-018-3363
003515	4710-66-037-1783
003516	4730-00-011-6452
003518	5305-66-019-3654
003519	5310-66-019-3956
003520	5310-66-013-0067
003521	2530-66-011-3255
003522	5310-66-018-0212
003523	4730-00-278-5812
003524	5310-66-010-8383
003525	4730-00-516-7419
003526	5325-66-011-3955
003527	4730-66-011-3953
003528	2530-66-011-3759
003529	5305-66-019-3666
003530	5310-66-019-3957
003531	5310-66-013-0070
003532	5310-66-015-5118
003533	5310-66-016-8502
003534	4710-66-065-3226
003535	4710-66-060-0700
003537	4710-66-065-3227
003538	5325-66-011-2921
003539	4710-66-054-8871

SERIAL No	DSN
003540	4730-00-461-0963
003541	2530-66-100-5887
003542	4730-66-019-0869
003544	4730-00-521-5672
003545	4710-66-056-3912
003546	5325-66-011-2921
003548	4710-66-065-3228
003549	4710-66-036-6443
003550	4710-66-065-3934
003552	2530-66-011-3901
003553	5305-66-019-3668
003554	5310-66-019-3957
003555	5310-66-013-0070
003556	4710-66-052-4569
003557	4730-66-019-0870
003558	4730-66-026-2498
003559	4710-66-036-6448
003560	4730-00-011-6452
003561	4730-66-011-4425
003562	4820-00-753-3853
003564	4820-01-008-9409
003565	4820-00-595-2761
003566	2530-66-093-7878
003567	2530-66-018-3369
003568	5310-66-019-3957
003569	5310-66-013-0070
003570	2530-00-946-9278
003571	2530-66-018-7842
003576	2530-66-019-0866
003577	4710-66-037-4382
003578	4730-66-017-2370
003579	4730-66-033-9203
003580	4710-66-036-6449
003581	4730-00-011-6452
003582	5340-00-282-7542
003583	4730-00-265-6909
003584	5365-66-036-6026
003587	5306-66-019-3768
003588	5310-66-019-3957
003589	5310-66-013-0070
003590	4710-66-065-3933
003613	5305-66-019-3652
003614	5310-66-019-3956
003615	5310-66-013-0067
003617	5305-66-019-3654
003618	5310-66-019-3956
003619	5310-66-013-0067
003622	4730-00-902-8990
003623	4710-66-019-1819
003624	4730-66-011-6008
003625	4730-00-287-1391
003626	4730-00-200-0257
003627	5930-00-894-7502
003629	4710-66-065-3935
003630	4710-66-056-3911
003631	4730-66-018-7822
003632	4730-66-011-3302
003633	4710-66-054-8872
003634	4710-66-054-8873
003635	4730-66-018-7824
003636	4730-66-019-0871
003637	5306-66-019-3778
003638	5310-66-019-3957
003639	5310-66-013-0070
003640	5310-66-010-8381

SERIAL No	DSN
003641	4730-66-011-3900
003642	4710-66-036-6138
003643	4730-66-010-5998
003644	5340-66-025-5307
003645	5305-66-019-3652
003646	5305-66-019-3712
003647	5310-66-013-0067
003649	4730-66-011-2837
003650	4820-00-420-5499
003651	2530-66-018-6177
003652	5305-66-019-3654
003653	5310-66-019-3956
003654	5310-66-013-0067
003655	9905-00-774-4284
003656	4730-00-810-3614
003657	4730-00-595-0083
003658	2530-00-270-3878
003659	9905-00-740-9721
003660	4730-00-720-5002
003661	4730-66-011-4902
003662	4730-00-463-1588
003663	5305-66-019-3693
003664	5310-66-016-5994
003666	5365-66-036-6028
003667	2530-66-011-5072
003668	4710-66-036-6139
003671	5306-66-019-3755
003672	5310-66-019-3956
003673	5310-66-013-0067
003694	4720-66-018-3393
003695	4720-66-018-3395
003696	4720-66-082-6532
003697	4730-66-018-6998
003698	4720-66-018-3394
003699	4730-00-461-0963
003702	4710-66-019-1817
003703	4730-00-011-6452
003704	4730-00-090-0832
003705	4730-00-266-0538
003706	4710-66-056-3915
003707	4710-66-056-3911
003708	4730-00-254-6211
003709	2530-66-018-3363
003710	2530-66-018-3356
003711	5340-00-282-7542
003712	4710-66-036-6439
003713	4730-66-019-0870
003714	4730-66-018-6999
003717	4730-66-018-6103
003718	4720-66-018-3394
003719	4730-66-011-4425
003720	2530-00-753-9300
003721	4730-66-019-0872
003723	4730-66-018-6176
003724	5310-66-015-5118
003725	2590-66-018-5715
003726	5306-66-019-3782
003727	5310-66-019-3958
003728	5310-66-016-5596
003729	4730-66-018-8156
003730	5305-66-019-3668
003731	5310-66-019-3957
003732	5310-66-013-0070
003733	4710-66-036-6440
003734	4730-66-017-2370

SERIAL No	DSN
003725	4730-66-019-0874
003726	4710-66-065-3228
003727	4730-00-011-2304
003728	5306-66-019-3768
003739	5310-66-019-3957
003740	5310-66-013-0070
003741	2530-00-512-2364
003742	4730-66-011-4126
003743	4710-66-060-0700
003744	4710-66-065-3225
003745	4710-66-036-4649
003747	4710-66-028-2982
003748	4730-66-017-2370
003749	4730-00-265-6909
003770	2530-66-018-5724
003771	5310-66-019-5021
003772	5305-00-359-1845
003773	5306-66-019-3924
003774	5310-66-016-5956
003775	2530-66-019-1545
003776	2530-00-566-7650
003777	2530-66-018-8870
003778	3110-66-021-1641
003779	3120-00-371-3134
003780	4730-66-010-8408
003781	2530-66-018-8160
003782	5306-66-019-3853
003783	5307-66-063-9366
003784	5310-66-015-5018
003785	5310-66-034-5726
003786	2530-66-019-1586
003787	5310-66-018-7872
003788	5310-00-274-7744
003789	5330-00-352-5621
003790	2530-66-010-6780
003791	3110-00-844-2055
003792	3110-00-227-4830
003793	3110-00-844-2055
003794	2530-66-018-8874
003795	5365-00-526-2120
003796	5365-00-517-5262
003797	5365-00-518-6512
003798	2530-00-626-2385
003799	5305-66-019-3730
003800	5310-66-013-0070
003801	5306-66-019-3786
003802	5310-66-016-5956
003803	5310-66-019-3958
003806	2530-66-017-4675
003807	5305-66-019-3680
003808	5310-66-016-5956
003809	5310-66-019-3958
003810	5306-66-019-3888
003812	5310-66-034-5726
003813	5310-66-013-5312
003814	2530-66-060-4414
003825	2530-66-018-7700
003826	2510-00-844-6055
003827	2590-66-013-2859
003838	5999-00-215-4048
003840	5999-00-374-0826
003841	2590-00-215-5153
003842	5305-66-013-9513
003843	2590-00-737-3216
003844	2590-66-019-1547

SERIAL No	DSN
003845	2590-66-011-2266
003846	5310-00-374-0824
003847	2530-66-102-4623
003848	5340-00-517-5258
003849	2530-00-517-5260
003850	2530-00-873-2943
003851	2530-00-136-8570
003853	2530-66-018-7933
003854	5306-66-019-1552
003855	5310-00-010-3339
003856	5310-00-136-7842
003878	2590-66-011-4085
003879	2510-66-036-6112
003880	5305-66-013-9445
003883	2530-66-021-5766
003884	5305-66-019-3666
003885	5310-66-013-3070
003886	5310-66-019-3957
003887	2530-66-019-1524
003888	2530-66-021-5767
003900	4730-66-013-9250
003901	2530-66-010-6181
003902	2530-00-537-0662
003903	2530-00-862-9547
003904	2530-66-010-5854
003905	2530-66-010-6260
003906	5330-00-134-8896
003907	2530-66-010-8447
003908	2530-66-010-5793
003909	5310-66-039-2039
003931	2510-66-025-1950
003932	5306-66-025-2060
003933	5306-66-025-2061
003934	5306-66-018-3339
003935	5310-66-016-5990
003936	5310-00-275-8264
003937	5340-66-018-2130
003938	2510-66-017-4669
003939	2510-66-010-6173
003940	5306-66-019-3930
003941	5310-66-019-3967
003942	4710-66-028-2982
003943	5306-66-032-1628
003946	2510-66-019-0857
003947	3120-00-661-5512
003948	4730-00-172-0025
003949	2510-66-019-3975
003950	5310-66-019-3960
003951	5310-66-016-5993
003952	5306-66-054-8700
003953	3120-66-010-6615
003954	2510-66-010-6171
003955	2540-66-010-5876
003956	5306-66-019-3888
003957	5310-66-019-3960
003958	5310-66-016-5993
003959	5305-00-282-8897
003960	2510-66-018-3443
003961	2510-66-019-0858
003962	2510-66-025-1951
003984	5310-66-011-2840
003985	2540-66-011-2222
003986	5365-66-011-5837
003987	2540-66-011-4273
003988	5310-66-019-3963

SERIAL No	DSN
003989	5310-66-013-0079
003990	5365-66-011-2915
003991	5365-66-011-2915
003992	5307-66-011-2107
003998	6220-66-018-2071
003999	5305-66-013-9445
004000	5310-66-019-1526
004002	6220-66-013-5940
004003	6220-66-019-1500
004004	5340-66-013-7452
004005	6220-66-013-7114
004006	5305-99-128-7973
004007	6240-66-026-0478
004008	6220-99-910-9185
004009	6220-66-019-1501
004010	5305-66-010-7763
004011	5330-66-018-3497
004012	6220-66-019-1502
004013	5305-66-019-1527
004014	5310-99-803-2943
004015	6220-99-803-3187
004016	6220-66-026-3719
004017	6220-66-019-1503
004018	5330-66-019-1504
004019	6240-66-010-8161
004020	6220-66-019-1536
004021	6220-12-121-7310
004022	6220-66-018-2066
004024	6220-66-019-1505
004025	6220-66-022-6546
004029	6240-66-022-3583
004030	5305-66-016-0726
004031	5305-66-013-9532
004032	5310-66-016-5997
004054	6220-66-033-7950
004055	6240-66-014-8509
004057	6220-66-036-9119
004058	6220-66-018-0237
004059	6220-66-017-2240
004060	5305-66-028-1789
004061	5310-66-015-5088
004062	5310-66-016-5999
004063	5310-66-016-0646
004064	6220-66-018-8169
004067	6240-66-010-8161
004068	6220-66-018-2096
004069	9320-66-019-1685
004070	6240-00-155-7900
004071	5340-66-037-1781
004072	6220-66-010-6497
004073	6240-66-022-6561
004075	9905-66-010-9168
004097	2540-66-018-2062
004098	2540-66-022-2093
004099	5310-66-018-8176
004101	5330-66-019-1678
004102	5365-66-038-8309
004103	2540-66-027-8391
004104	2540-66-027-8392
004105	2540-66-018-8887
004106	2540-66-018-3305
004107	2540-66-027-8393
004109	5910-66-018-8173
004131	2540-66-049-4125
004132	2540-66-018-2062

SERIAL No	DSN
004133	2540-66-022-2093
004134	5310-66-047-2565
004136	5330-66-019-1678
004138	2540-66-027-8351
004139	2540-66-027-8352
004140	2540-66-048-8540
004141	2540-66-018-3305
004142	5330-66-019-1678
004143	2540-66-048-8542
004144	2540-66-048-8547
004145	2540-66-048-8544
004146	2540-66-048-8541
004147	5910-66-045-4410
004148	5940-66-064-5663
004151	5940-66-096-4373
004152	2540-66-048-8542
004174	2920-66-018-5645
004175	5935-66-018-4161
004176	5330-66-018-5644
004177	2920-66-018-5643
004178	5330-66-018-5654
004179	5935-66-018-5275
004180	5210-66-010-7827
004182	5935-66-018-5267
004183	5970-66-086-5367
004184	6145-66-097-1418
004185	5935-66-018-5276
004207	9905-66-056-1592
004208	5305-66-016-8273
004209	5310-66-015-5026
004210	5310-66-016-2425
004211	5930-66-011-0867
004212	6210-66-011-0776
004213	6240-66-010-7460
004214	5305-66-012-5422
004215	5310-00-013-8530
004216	5305-66-019-3652
004217	5310-66-013-0067
004218	9905-66-034-9420
004219	9905-66-031-3609
004220	5930-66-033-5725
004221	5310-66-013-0065
004222	5305-66-013-9423
004223	5355-66-054-4774
004224	2590-66-058-4623
004225	5310-66-018-5706
004226	5305-66-013-9435
004227	5930-66-011-0867
004228	9905-66-056-1567
004229	9905-66-056-1569
004230	5305-66-013-9500
004231	5930-66-026-4417
004232	6210-66-024-0710
004233	9905-66-030-7434
004234	6240-66-030-7433
004235	6685-66-067-5140
004236	6680-66-041-4727
004237	6685-66-067-5139
004238	6685-66-067-5135
004239	6620-66-090-7848
004240	6625-66-097-1005
004242	6240-00-013-1262
004243	6240-66-030-7423
004245	5305-66-015-3641
004246	5310-66-016-5962

SERIAL No	DSN
004247	5310-66-018-2082
004248	5310-66-016-5997
004249	5305-66-015-6942
004250	2590-66-018-2094
004251	5305-66-014-9274
004252	5310-66-010-8380
004253	5310-66-015-5026
004254	5935-99-803-1854
004255	5305-00-013-2664
004256	5310-00-934-9739
004257	5310-66-016-8498
004259	6685-66-025-0190
004260	6620-66-025-0189
004261	6685-66-037-7555
004262	6250-66-106-0367
004263	6240-66-051-7199
004271	6680-66-093-1580
004272	6680-66-011-2265
004273	6680-66-011-2638
004274	6680-66-011-2919
004275	6680-66-011-5221
004276	5325-66-013-4310
004277	2510-00-848-3545
004342	5305-66-027-9105
004343	6220-66-033-8904
004344	5305-66-027-9681
004345	6220-00-873-2892
004346	2590-66-019-1867
004348	2920-66-019-1869
004350	5305-66-015-3830
004351	5310-66-015-5026
004352	5310-66-016-2425
004353	5945-66-030-7432
004356	5940-66-011-3030
004379	2590-66-029-6661
004383	5340-66-036-6447
004385	5325-66-011-2921
004386	6150-66-018-3521
004387	2590-66-029-6662
004389	5940-66-011-3030
004391	5325-66-019-3550
004395	5325-66-090-7666
004396	5325-66-027-8389
004397	5325-66-027-8390
004398	5325-66-010-6009
004400	5325-66-018-2083
004402	6150-66-010-5909
004403	5935-66-019-1746
004404	5340-00-634-6857
004405	5940-66-018-2015
004406	5305-66-013-9437
004407	5325-66-013-4310
004409	2510-66-037-1779
004410	5305-66-019-3652
004411	5310-66-019-3956
004412	5325-00-276-6205
004415	6140-66-018-3294
004416	5940-66-032-3464
004418	6140-66-024-9346
004420	5305-66-019-3666
004421	2590-66-031-3603
004422	2590-66-031-3604
004423	5306-99-941-0297
004424	5310-66-010-6376
004425	5310-66-016-5980

SERIAL No	DSN
004426	2590-66-034-5845
004428	5305-66-013-9513
004429	5310-66-016-2425
004430	5305-66-015-3861
004431	5310-66-015-5052
004432	5925-66-093-1516
004433	5925-66-045-2766
004434	5305-66-013-9435
004435	5925-66-018-7821
004436	5305-66-027-3089
004437	5310-66-019-3557
004438	6350-66-010-8623
004439	2920-66-018-5705
004440	5305-66-015-3832
004441	5310-66-015-5026
004442	5305-66-015-3641
004443	2590-66-018-3293
004444	2920-66-026-2213
004445	6150-66-010-5950
004446	2590-66-010-5948
004470	5340-66-017-2246
004473	5325-00-543-3064
004475	5935-99-803-1854
004478	2590-66-018-3494
004480	2590-66-018-6800
004504	5320-66-028-3022
004505	2510-66-018-5712
004506	5320-66-028-3022
004507	2510-66-018-3423
004510	2510-66-018-3432
004511	5320-66-028-3023
004512	2510-66-018-5719
004513	2510-66-018-5720
004514	5305-66-019-3701
004515	5310-66-016-5993
004516	5310-66-019-3960
004517	2540-66-017-4673
004519	2510-66-025-1939
004521	2510-66-018-5721
004522	5305-66-019-3691
004523	5310-66-016-5994
004524	5310-66-019-3959
004525	2510-66-017-4672
004526	5320-66-017-5853
004527	5320-66-028-0471
004528	5320-66-017-5874
004529	5306-66-019-3782
004530	5310-66-016-5996
004531	5310-66-019-3958
004532	2510-66-017-4685
004533	2510-66-017-4686
004534	5320-66-028-0472
004535	2510-66-017-4683
004536	5320-66-028-0472
004537	2510-66-025-1937
004538	2510-66-017-4684
004539	5306-66-019-3782
004540	5310-66-016-5996
004541	5310-66-019-3958
004542	2510-66-017-4682
004543	5320-66-017-5853
004544	5320-66-028-0471
004545	2510-66-017-4615
004546	5320-66-028-0467
004547	5340-66-018-8177

SERIAL No.	DSN
004548	5320-66-017-5874
004550	2510-66-017-4094
004551	5320-66-028-0471
004552	2510-66-010-5802
004553	5305-66-019-3668
004554	5310-66-013-0070
004555	5310-66-019-3957
004556	2510-66-018-5712
004557	2510-66-017-4711
004558	5320-66-017-5853
004560	5320-66-028-0471
004561	2510-66-018-5711
004562	5320-66-028-0472
004563	5320-66-017-5874
004564	2510-66-017-4613
004565	5320-00-018-9512
004566	5306-66-019-3888
004567	5310-66-018-5993
004568	5310-66-019-3960
004570	5320-66-028-3022
004571	2510-66-018-5718
004572	5320-66-028-3022
004573	5305-66-019-3708
004574	5310-66-013-0078
004575	5310-66-019-3962
004576	2510-66-017-4683
004598	2510-66-018-2133
004599	5315-66-019-1551
004600	2510-66-024-9954
004601	2540-66-025-1543
004602	2540-66-025-1942
004603	5306-66-019-3784
004604	5310-66-019-3958
004605	5310-66-016-5996
004606	5365-66-036-6025
004607	2510-66-017-4707
004608	5306-66-019-3882
004609	5310-66-019-3960
004610	5310-66-016-5993
004611	2510-66-037-1584
004612	5305-66-019-3701
004613	2540-66-018-2131
004614	2540-66-023-6031
004616	4030-66-029-0135
004617	5306-66-026-2714
004618	5310-66-019-5074
004619	5315-66-017-5937
004620	5306-66-019-1580
004621	5306-66-019-1581
004622	5310-66-019-3961
004623	5310-66-013-0076
004624	5680-66-067-5972
004625	5306-66-038-8310
004626	5365-00-442-5845
004648	2590-66-018-3387
004649	5305-66-019-3680
004650	5310-66-019-3958
004651	5310-66-016-5996
004652	2590-66-018-3505
004653	5305-66-019-3701
004654	5310-66-019-3960
004655	5310-66-016-5993
004656	5310-66-016-8932
004657	2590-66-018-3350
004658	4730-66-011-9656

SERIAL No.	DSN
CC4659	2590-66-018-3409
004660	5310-66-015-5021
CC4661	5340-66-037-1983
CC4662	5305-66-019-3701
CC4663	5306-66-019-3888
CC4664	5310-66-019-3960
CC4665	5310-66-016-5993
CC4666	2590-66-018-3391
CC4667	2590-66-018-3388
CC4668	5360-66-018-6121
004669	5310-66-019-3956
CC4670	5310-66-013-0067
CC4671	5310-66-012-6847
CC4672	2590-66-018-3376
CC4673	5310-66-018-7930
CC4674	2590-66-018-3389
004675	5310-66-011-0674
CC4688	2510-66-031-0025
CC4689	5306-66-019-3881
CC4690	5306-66-033-6893
CC4691	5310-66-026-2988
CC4692	3120-66-018-3411
CC4693	2540-66-051-7079
CC4694	5365-99-199-5021
CC4698	5315-66-026-2543
CC4699	4730-66-013-9250
CC4700	5315-66-017-5896
CC4701	5365-66-026-2544
CC4702	4010-66-015-8992
CC4703	5305-66-015-3830
CC4704	5310-66-016-5997
004705	2510-66-018-3424
CC4706	4010-66-015-8992
CC4707	5365-66-026-2544
CC4708	5315-66-017-0070
CC4709	5315-66-018-3410
CC4710	5315-66-019-1553
CC4711	5315-66-017-5137
CC4712	4730-66-013-9250
CC4713	5310-66-017-8293
CC4714	5315-66-017-5905
CC4715	5310-66-022-5327
CC4725	2590-66-037-3328
CC4726	3120-66-011-4858
CC4727	2590-66-011-4350
CC4728	5305-66-019-3678
CC4729	5310-66-019-3958
CC4730	4730-66-013-9779
004731	2590-66-018-2153
CC4732	5340-66-018-8177
CC4733	5306-66-019-3782
CC4734	5310-66-016-5996
CC4735	5310-66-019-3958
004736	2590-66-051-7080
CC4737	3020-66-018-3941
CC4738	5306-66-019-4161
CC4739	5310-66-019-3962
CC4740	5310-66-013-0078
CC4741	5305-66-019-3680
CC4742	5310-66-019-3958
CC4743	5310-66-016-5996
CC4744	5305-66-019-3708
CC4745	5310-66-019-3962
004746	5310-66-013-0078
CC4747	4730-66-018-3942

SERIAL No.	DSN
004748	5310-66-037-1835
004749	5310-66-016-5988
004750	4730-66-031-0064
004751	2590-66-036-6441
004752	5310-66-036-6442
004753	5305-66-019-3706
004754	5310-66-013-0078
004755	3120-66-017-3880
004756	4730-66-031-0064
004757	3120-66-011-4858
004758	3020-66-018-3514
004759	2590-66-018-2162
004760	5305-66-018-6175
004761	5310-66-019-3966
004762	5305-66-019-3793
004763	5306-66-020-3108
004764	5310-66-019-3960
004765	5310-66-016-5993
004766	3020-66-018-3915
004767	3120-66-011-4858
004768	2590-66-018-6180
004769	3815-66-018-2161
004770	5306-66-018-3891
004771	5306-66-019-3888
004772	5306-66-019-3891
004773	5310-66-019-3960
004774	5310-66-016-5993
004797	9905-66-030-4511
004798	4820-66-018-3358
004799	4720-66-010-9550
004800	4710-66-036-3281
004802	4730-66-040-7097
004803	4710-66-051-7113
004804	5340-00-344-2761
004805	4710-66-067-5137
004806	2910-66-024-9784
004807	2910-66-082-6241
004808	5310-66-019-3958
004809	2510-00-012-1158
004810	5310-66-016-5995
004811	5310-66-016-8930
004812	2910-66-018-3442
004813	4010-66-012-4888
004814	2910-66-051-7633
004815	2910-66-024-9785
004816	5330-66-011-4137
004817	5305-66-015-3829
004818	5330-00-848-1576
004819	5330-66-011-4137
004820	6680-66-025-1934
004821	5330-66-095-0798
004823	6680-66-029-7727
004824	6680-66-026-2303
004825	4730-66-027-8330
004826	5330-66-011-4137
004827	5305-66-015-3829
004828	5330-66-026-2304
004829	2910-66-024-9789
004830	5340-66-027-2527
004831	5306-66-019-3784
004832	5306-66-019-3785
004833	5310-66-019-3958
004834	5310-66-016-5996
004835	4710-66-067-5138
004836	5325-66-011-2921

SERIAL No	DSN
004827	471C-66-037-4CC5
004838	5340-66-036-6125
004839	4710-66-037-4CC7
004841	5340-66-060-4411
004842	5225-66-026-25E6
004843	5325-66-026-29E7
004844	4710-66-065-3223
004866	5306-66-019-3896
004867	5310-66-018-7921
004868	5340-66-011-356C
004869	2590-00-847-0959
004870	5340-66-018-20E0
004871	2510-66-018-3355
004872	5310-66-013-5312
004873	2510-66-017-4710
004874	5305-66-019-36E6
004875	5310-66-016-5956
004876	5310-66-019-355E
004877	3120-66-011-0891
004878	5310-66-019-356C
004879	5310-66-016-5953
004880	2510-66-017-467C
004881	2510-66-010-57E6
004882	5305-66-019-3668
004883	5310-66-013-007C
004884	2510-66-017-4671
004906	2510-66-021-7725
004907	5305-66-015-2157
004908	5310-66-015-5026
004909	5310-66-016-4349
004910	2510-66-021-7723
004911	2510-66-021-7724
004912	5305-66-019-36E6
004913	5310-66-051-7436
004914	5310-66-012-6819
004915	5310-66-019-3957
004916	2540-66-018-7947
004917	2540-66-036-6444
004918	5305-66-019-3668
004919	5310-66-012-6815
004920	5310-66-013-007C
004921	5310-66-019-3957
004922	2590-66-018-3449
004923	2590-66-018-345C
004924	2510-66-018-3429
004925	2510-66-018-3440
004926	5305-66-019-3666
004927	2510-66-025-22E4
004928	5340-66-027-23E7
004929	5305-66-028-052C
004930	5310-66-016-2425
004931	5340-66-025-2290
004932	5360-66-025-2251
004933	5365-66-026-2716
004934	2510-66-019-1E7E
004935	5340-66-025-2252
004936	5305-66-019-3652
004937	5310-66-016-8517
004938	2510-66-027-8623
004939	5305-00-543-2325
004940	2510-66-026-2717
004941	5306-66-019-1533
004942	5310-66-026-272C
004943	5310-00-809-3078
004944	5310-00-017-4916

SERIAL No	DSN
CC4945	5310-66-019-3956
CC4946	9320-66-019-1748
CC4947	5306-66-026-2718
G04948	5310-66-026-2720
CC4949	5310-00-809-3078
CC4950	5310-66-013-0067
CC4951	5310-00-017-4916
CC4952	5310-66-019-3956
CC4953	5340-66-026-2719
CC4954	2510-66-025-2166
CC4954	2510-66-058-5905
CC4955	2510-66-025-2286
CC4956	2510-66-058-5906
CC4997	2510-66-058-5907
CC4958	2510-66-058-5908
CC4999	5340-66-058-5872
CC5000	5340-66-058-5873
CC5003	5305-66-015-2206
CC5004	5330-66-019-1761
CC5005	2510-66-019-1765
CC5006	5340-66-025-2163
CC5008	2510-66-037-1988
CC5009	2510-66-037-1981
CC5010	2510-66-025-2295
CC5011	2510-66-025-2293
CC5012	2510-66-051-7086
CC5013	2510-66-025-2297
CC5014	5305-66-019-3668
CC5015	5310-66-012-6819
CC5016	5310-66-013-0070
CC5017	5310-66-019-3957
CC5018	5305-66-015-2196
CC5019	5310-66-010-8380
CC5020	5310-66-016-2425
CC5021	5310-66-015-5026
CC5022	5330-66-019-1762
CC5023	9320-66-011-5749
CC5024	2510-66-037-1981
CC5025	2510-66-025-2294
CC5026	2510-66-025-2296
CC5027	2510-66-051-7087
CC5028	2510-66-051-7088
CC5029	2510-66-058-5903
CC5030	5340-66-025-2164
CC5031	5305-66-019-3668
CC5032	5310-66-012-6819
CC5033	5310-66-013-0070
CC5034	5305-66-019-3668
CC5035	5310-66-013-0070
CC5036	5310-66-019-3960
CC5037	5310-66-016-8930
CC5038	5310-66-016-5996
CC5039	5310-66-019-3958
CC5040	5305-66-019-3668
CC5041	5310-66-013-0070
CC5042	5305-66-019-3668
CC5043	5310-66-012-6819
CC5044	5310-66-013-0070
CC5045	5305-66-028-0440
CC5046	5310-66-016-8517
CC5068	2510-66-037-4383
CC5069	5340-66-037-7513
CC5070	5340-66-037-7514
CC5071	5305-66-016-8273
CC5072	5310-66-016-2425

SERIAL No	DSN
005073	5310-66-012-6847
005074	5310-66-013-0067
005075	5310-66-019-3956
005076	9320-66-024-9793
005077	5305-66-024-9931
005078	5310-66-026-2720
005079	2510-66-024-9928
005080	2510-66-024-9829
005081	2510-66-026-8890
005082	5365-66-028-0248
005083	5310-66-024-9916
005084	5355-66-010-5736
005085	5315-66-017-5926
005086	9320-66-037-7515
005087	9320-66-023-8428
005088	9340-66-037-7533
005089	5320-66-028-0522
005137	2510-66-018-8839
005138	9320-66-018-8838
005139	2510-66-037-1585
005140	5305-66-019-3654
005141	5310-66-013-0067
005142	5310-66-019-3956
005143	2510-66-018-2151
005168	2510-66-018-3802
005169	2510-66-018-3801
005170	2540-00-718-5224
005171	5340-66-023-2088
005172	2540-66-023-1904
005173	2540-66-023-1905
005174	5305-00-285-5263
005175	2510-66-010-5812
005176	2510-66-010-5813
005177	2510-66-010-5778
005178	2510-66-018-8199
005179	5305-66-013-9445
005180	5310-66-027-8119
005181	5340-66-018-7944
005182	5340-66-018-7945
005183	5305-66-028-0536
005184	5310-66-016-8518
005185	9320-66-018-8165
005186	9320-66-028-4663
005188	5305-66-028-0530
005189	5310-66-012-6847
005190	5310-66-023-0041
005191	2510-66-010-5721
005192	5305-66-015-3805
005193	5305-66-015-3806
005194	5310-66-016-8515
005195	5310-66-015-5052
005196	5305-00-988-1724
005197	5310-66-016-8517
005199	5305-66-013-9436
005201	2540-66-018-3798
005202	2540-66-018-3799
005203	5305-66-028-0533
005204	5365-99-942-6283
005205	2510-66-013-5273
005206	2540-66-011-2268
005207	5305-00-012-0612
005208	2540-66-018-7937
005209	2540-66-018-7536
005210	5310-66-016-5984
005211	5305-66-028-0535

SERIAL No	DSN
005212	2540-66-C22-2C56
005213	2540-66-018-7552
005214	2540-66-013-2785
005215	2510-66-011-2661
005216	2510-66-018-7546
005217	2510-66-C18-7548
005218	2510-66-018-7949
005219	2540-00-892-5313
005220	5310-66-021-5985
005221	5315-66-013-2929
005242	2990-66-C17-4700
005243	5340-66-019-3636
005244	5310-66-C15-5026
005245	5310-66-016-5957
005246	5310-66-016-4349
005247	2510-66-017-4727
005248	5340-66-025-8824
005249	5310-66-016-4345
005250	5305-66-013-9426
005251	2520-66-018-2154
005253	2510-66-011-2655
005254	2990-66-017-4701
005255	5305-66-013-9445
005256	5310-66-016-4345
005258	5310-66-015-5026
005259	5310-66-016-5957
005260	5305-66-016-8273
005261	2510-66-018-8162
005262	9320-66-019-3639
005263	9320-66-019-3982
005288	5305-66-015-3841
005289	5310-66-016-5982
005290	5340-66-C28-0529
005291	2540-66-018-2164
005292	5325-66-019-1675
005294	2510-66-C27-8624
005295	5305-66-015-3841
005296	5310-66-016-5982
005297	5310-66-038-0885
005298	5305-66-015-3841
005299	5310-66-016-5982
005301	2540-66-018-6181
005302	5305-66-019-3654
005303	5310-66-016-5982
005304	2540-66-027-8626
005305	5310-66-016-2425
005306	5310-66-015-5053
005307	5340-66-C26-2721
005308	5310-66-015-5139
005310	5305-66-019-3653
005311	5310-66-016-5982
005312	5310-66-019-3959
005313	5315-00-013-8082
005314	5315-66-017-5920
005315	5340-66-026-2723
005316	5340-66-026-2722
005317	5330-66-018-8161
005318	2540-66-C25-2304
005319	5305-66-C28-0600
005320	5310-66-C28-0601
005342	2510-66-C18-6991
005343	5305-66-019-3653
005344	5310-66-012-6847
005345	5310-66-028-0523
005346	5310-66-C13-0067

SERIAL No.	DSN
CC5347	5310-66-019-3956
CC5348	2510-66-018-6992
CC5349	2590-66-017-4703
CC5350	5340-66-018-3422
CC5352	2540-66-018-2095
CC5353	5330-66-018-3640
005354	2590-66-018-6993
CC5355	2590-66-010-5884
CC5356	2510-66-037-1986
CC5357	5310-66-037-1980
CC5358	5310-66-010-7825
CC5359	5315-66-027-2525
CC5360	5365-66-027-2524
CC5361	2510-66-018-3433
CC5362	5340-66-010-6068
CC5363	2540-66-067-7924
CC5364	2540-66-067-7925
CC5365	5310-66-067-5757
CC5368	5330-66-067-5798
CC5369	5305-66-015-3895
CC5370	5305-66-019-3718
CC5371	5310-66-012-6819
CC5372	5310-66-015-5029
CC5394	2540-66-017-8335
CC5395	2540-66-018-3445
CC5396	5305-00-018-7865
CC5397	5310-66-012-6847
CC5398	5310-66-016-5982
CC5399	2540-66-018-3446
CC5400	2540-66-027-8638
005401	5310-66-019-3957
005402	5310-66-013-0070
CC5403	2510-66-019-1674
CC5404	5310-66-013-0070
CC5405	5310-66-019-3957
CC5406	2510-66-019-1673
005407	5305-66-028-0530
005408	5310-66-016-8517
005409	5340-66-018-6174
CC5410	2540-66-017-3945
CC5412	2540-66-018-6178
005413	2540-66-027-8637
CC5414	2540-66-019-3979
005416	5310-66-019-3959
CC5417	5310-66-016-5994
005442	2510-66-025-2162
CC5443	5340-66-051-7530
CC5445	5305-66-019-3666
CC5446	5310-66-013-0070
CC5447	5310-66-019-3957
CC5449	5305-66-016-8273
CC5450	5310-66-016-5997
CC5451	5310-66-015-5026
005453	5305-00-012-0612
CC5454	2510-66-018-3425
CC5455	5305-66-015-3829
005456	5310-66-016-5997
CC5457	5310-66-015-5026
CC5459	5340-66-019-0859
CC5460	5305-66-015-2206
CC5461	5310-66-016-5993
005462	9320-66-030-2335
CC5464	2540-66-025-2299
005465	5305-66-013-9440
CC5466	5310-66-014-1505

SERIAL No	DSN
005468	2530-66-018-8897
005469	5305-66-013-9445
005471	5305-66-019-3666
005472	5310-66-028-0477
005473	5310-66-019-3957
005474	9320-66-020-2335
005475	5330-66-019-1669
005476	5340-66-026-2715
005477	5340-66-032-2357
005478	5340-66-063-9973
005479	5305-66-019-3652
005480	5310-66-013-0067
005481	5310-66-019-3956
005482	2540-66-025-2299
005483	5305-66-013-9440
005484	5310-66-014-1505
005485	5340-66-037-1987
005486	5305-66-016-0725
005488	2590-66-011-1979
005489	5305-66-019-3654
005490	5310-66-013-0067
005491	5310-66-019-3956
005496	5310-66-013-0067
005497	5305-66-019-3666
005498	5310-66-013-0070
005499	2540-66-023-0829
005500	5305-66-019-3654
005501	5310-66-013-0067
005502	5310-66-019-3956
005503	5310-00-050-9068
005504	5310-66-012-6847
005505	2540-66-018-3365
005506	2540-66-018-3367
005507	2540-66-018-3368
005508	2540-66-018-3366
005509	5305-00-011-6238
005510	5310-66-010-8380
005512	5305-66-015-3831
005513	5310-66-016-5997
005514	5310-66-015-5026
005515	5340-66-010-6068
005516	5305-66-013-9423
005517	5305-66-028-0478
005518	5325-99-895-1661
005519	9905-66-031-5072
005520	9905-66-031-3601
005521	9905-66-031-3602
005522	2510-66-027-8815
005523	5305-66-019-3652
005524	5310-66-012-6847
005548	2510-66-051-7066
005549	2510-66-051-7070
005550	2510-66-051-7076
005551	2510-66-051-7074
005552	2510-66-051-7072
005553	2510-66-025-2168
005554	2510-66-051-7073
005555	2510-66-051-7068
005556	2510-66-051-7078
005557	2510-66-051-7069
005558	2510-66-051-7077
005559	2510-66-025-2280
005560	2510-66-051-7075
005561	2510-66-051-7071
005563	2510-66-051-7067

RESTRICTED

CHAPTER 1

SECTION 2

NUMERICAL INDEX

NATO STOCK NUMBER SEQUENCE

RESTRICTED

SERIAL No	DSN
002753	2510-00-012-1158
004809	2510-00-012-1158
003826	2510-00-844-6055
004277	2510-00-848-3545
000229	2510-00-848-7048
001622	2510-00-854-1709
001735	2510-00-900-8840
005151	2510-66-010-5721
005177	2510-66-010-5778
004881	2510-66-010-5780
004552	2510-66-010-5802
005175	2510-66-010-5812
005176	2510-66-010-5813
000687	2510-66-010-5849
003954	2510-66-010-6171
003939	2510-66-010-6173
005253	2510-66-011-2655
005215	2510-66-011-2661
005205	2510-66-013-5273
004550	2510-66-017-4054
001881	2510-66-017-4611
004564	2510-66-017-4613
004545	2510-66-017-4615
003928	2510-66-017-4669
004880	2510-66-017-4670
004884	2510-66-017-4671
004525	2510-66-017-4672
004542	2510-66-017-4682
004525	2510-66-017-4683
004576	2510-66-017-4683
004538	2510-66-017-4684
004532	2510-66-017-4685
004533	2510-66-017-4686
004607	2510-66-017-4707
000669	2510-66-017-4709
004873	2510-66-017-4710
004557	2510-66-017-4711
005247	2510-66-017-4727
004598	2510-66-018-2133
005143	2510-66-018-2151
004871	2510-66-018-3355
004507	2510-66-018-3423
004705	2510-66-018-3424
005454	2510-66-018-3425
004510	2510-66-018-3432
005361	2510-66-018-3433
004924	2510-66-018-3439
004925	2510-66-018-3440
003960	2510-66-018-3443
005812	2510-66-018-3470
005813	2510-66-018-3471
005169	2510-66-018-3801
005168	2510-66-018-3802
004561	2510-66-018-5711
004505	2510-66-018-5712
004556	2510-66-018-5712
004571	2510-66-018-5718
004512	2510-66-018-5719
004513	2510-66-018-5720
004521	2510-66-018-5721
005696	2510-66-018-5967
005342	2510-66-018-6951
005348	2510-66-018-6952
005216	2510-66-018-7946
005217	2510-66-018-7948

SERIAL No	DSN
005218	2510-66-018-7949
005261	2510-66-018-8162
005178	2510-66-018-8199
005137	2510-66-018-8839
003946	2510-66-019-0857
003961	2510-66-019-0858
005575	2510-66-019-1541
005406	2510-66-019-1673
005403	2510-66-019-1674
004934	2510-66-019-1676
005005	2510-66-019-1765
003945	2510-66-019-3975
004910	2510-66-021-7723
004911	2510-66-021-7724
004906	2510-66-021-7725
005730	2510-66-024-9807
005080	2510-66-024-9829
005079	2510-66-024-9928
004600	2510-66-024-9994
004537	2510-66-025-1937
004519	2510-66-025-1939
003931	2510-66-025-1950
003962	2510-66-025-1951
005442	2510-66-025-2162
005568	2510-66-025-2165
004951	2510-66-025-2166
005553	2510-66-025-2168
005559	2510-66-025-2280
004927	2510-66-025-2284
004995	2510-66-025-2286
005011	2510-66-025-2293
005025	2510-66-025-2294
005010	2510-66-025-2295
005026	2510-66-025-2296
005013	2510-66-025-2297
005726	2510-66-026-2547
004940	2510-66-026-2717
005081	2510-66-026-8890
005569	2510-66-027-2292
004938	2510-66-027-8633
005254	2510-66-027-8634
005522	2510-66-027-8815
005570	2510-66-027-8816
005761	2510-66-028-6372
005763	2510-66-028-6373
005614	2510-66-030-8725
005762	2510-66-031-0021
005785	2510-66-031-0022
005682	2510-66-031-0023
004688	2510-66-031-0025
005615	2510-66-031-0281
003879	2510-66-036-6112
005608	2510-66-036-6136
004409	2510-66-037-1779
005009	2510-66-037-1981
005024	2510-66-037-1981
004611	2510-66-037-1984
005139	2510-66-037-1985
005356	2510-66-037-1986
005008	2510-66-037-1988
005811	2510-66-037-3330
005816	2510-66-037-3331
005068	2510-66-037-4383
005817	2510-66-041-4873
005548	2510-66-051-7066

SERIAL No	DSN
005563	2510-66-051-7067
005555	2510-66-051-7068
005557	2510-66-051-7069
005549	2510-66-051-7070
005561	2510-66-051-7071
005552	2510-66-051-7072
005554	2510-66-051-7073
005551	2510-66-051-7074
005560	2510-66-051-7075
005550	2510-66-051-7076
005558	2510-66-051-7077
005556	2510-66-051-7078
005012	2510-66-051-7086
005027	2510-66-051-7087
005028	2510-66-051-7088
000662	2510-66-056-3562
005764	2510-66-058-5600
005765	2510-66-058-5601
005029	2510-66-058-5903
004994	2510-66-058-5905
004996	2510-66-058-5906
004997	2510-66-058-5907
004998	2510-66-058-5908
005783	2510-66-068-0999
001642	2520-00-076-1299
001649	2520-00-077-1067
001761	2520-00-083-6965
002408	2520-00-090-5761
002413	2520-00-219-8231
001670	2520-00-311-1606
002411	2520-00-374-9381
002405	2520-00-374-9382
001697	2520-00-383-4585
001708	2520-00-383-4585
002387	2520-00-385-2560
002374	2520-00-390-8976
001673	2520-00-392-3536
002371	2520-00-529-8430
002381	2520-00-630-0148
002530	2520-00-702-4578
001834	2520-00-706-5892
001764	2520-00-728-7387
001643	2520-00-758-8098
001651	2520-00-763-6318
001660	2520-00-846-4897
001757	2520-00-847-0795
001607	2520-00-848-4370
000012	2520-00-848-4446
001840	2520-00-873-2833
001623	2520-00-938-2503
002375	2520-00-977-0278
001908	2520-66-010-5669
002200	2520-66-010-5670
002201	2520-66-010-5671
002242	2520-66-010-5673
002243	2520-66-010-5674
002256	2520-66-010-5678
002223	2520-66-010-5690
002233	2520-66-010-5690
002232	2520-66-010-5691
001885	2520-66-010-5705
001892	2520-66-010-5706
001910	2520-66-010-5758
002052	2520-66-010-5765
002056	2520-66-010-5768

SERIAL No	DSN
001909	2520-66-010-5770
000970	2520-66-010-5772
002265	2520-66-010-5801
002058	2520-66-010-5805
001827	2520-66-010-5821
002211	2520-66-010-5847
002416	2520-66-010-6358
001894	2520-66-010-6413
002239	2520-66-010-6663
002199	2520-66-010-6664
002298	2520-66-010-6664
001844	2520-66-010-6665
002255	2520-66-010-6666
002295	2520-66-010-6666
001049	2520-66-010-7587
001043	2520-66-010-7588
001047	2520-66-010-7769
001820	2520-66-010-7923
002244	2520-66-010-8624
001795	2520-66-011-1581
002044	2520-66-011-2174
002045	2520-66-011-2175
002415	2520-66-011-3518
001038	2520-66-011-3735
000954	2520-66-011-5752
001845	2520-66-011-6327
002525	2520-66-011-6654
001851	2520-66-017-3757
001751	2520-66-017-4065
001766	2520-66-017-4065
000925	2520-66-017-4076
000934	2520-66-017-4077
002055	2520-66-017-4086
001847	2520-66-017-4089
002165	2520-66-017-4089
002395	2520-66-017-4089
001832	2520-66-017-4091
002166	2520-66-017-4091
001809	2520-66-017-4093
001793	2520-66-017-4605
001843	2520-66-017-4606
001951	2520-66-017-4705
001746	2520-66-017-4739
000938	2520-66-017-4779
000939	2520-66-017-4787
000923	2520-66-017-4788
000928	2520-66-017-4785
000924	2520-66-017-4750
000936	2520-66-017-4755
000922	2520-66-017-4756
001605	2520-66-018-2050
001663	2520-66-018-2051
001636	2520-66-018-2052
001707	2520-66-018-2134
002163	2520-66-018-2134
002167	2520-66-018-2135
002164	2520-66-018-2136
000976	2520-66-018-2152
005251	2520-66-018-2154
000997	2520-66-018-3279
002369	2520-66-018-3373
002263	2520-66-018-3374
002254	2520-66-018-3374
002302	2520-66-018-3375
002291	2520-66-018-3510

SERIAL No	DSN
CC1950	2520-66-018-3796
001999	2520-66-018-3912
CC1955	2520-66-018-3913
CC1794	2520-66-018-5878
CC1616	2520-66-018-7963
CC1802	2520-66-018-8157
CC1674	2520-66-018-8813
CC1626	2520-66-018-8825
CC1624	2520-66-018-8827
CC1079	2520-66-018-8873
CC2162	2520-66-018-8905
CC1614	2520-66-018-8909
001768	2520-66-018-8910
CC1627	2520-66-018-8911
CC1650	2520-66-018-8913
CC1619	2520-66-018-8916
CC1754	2520-66-018-8917
CC1620	2520-66-018-8918
CC1654	2520-66-019-0534
001684	2520-66-019-0536
001679	2520-66-019-0538
CC1615	2520-66-019-0551
CC1810	2520-66-019-0557
CC2394	2520-66-019-0557
001728	2520-66-019-0572
CC0998	2520-66-019-0574
CC2030	2520-66-019-0635
002043	2520-66-019-0636
CC2053	2520-66-019-0639
001753	2520-66-019-0849
CC2158	2520-66-019-1542
CC2154	2520-66-019-1543
CC2159	2520-66-019-1554
CC0532	2520-66-019-1713
002155	2520-66-019-1767
CC2464	2520-66-019-1859
CC2304	2520-66-021-7662
CC1008	2520-66-023-7409
001011	2520-66-023-7410
CC1606	2520-66-023-8404
CC1987	2520-66-024-6846
CC1993	2520-66-024-6847
001747	2520-66-024-7349
CC1740	2520-66-025-1543
CC1737	2520-66-025-1544
002152	2520-66-025-1945
CC2153	2520-66-025-1946
CC2338	2520-66-025-1949
CC2119	2520-66-025-2067
CC2082	2520-66-025-2073
CC0980	2520-66-027-2457
002087	2520-66-027-8489
CC2156	2520-66-027-8996
001071	2520-66-029-0538
CC2252	2520-66-029-6664
CC1032	2520-66-031-9477
CC0942	2520-66-034-0345
CC2213	2520-66-062-5266
CC2212	2520-66-062-5267
CC0999	2520-66-089-5107
CC0940	2520-66-099-7763
CC1637	2520-66-099-7767
CC0929	2520-66-106-1851
CC2855	2530-00-020-8549
CC2950	2530-00-062-4260

SERIAL No	DSN
002986	2530-00-117-9103
003851	2530-00-136-8570
002873	2530-00-213-7423
002752	2530-00-219-9490
002982	2530-00-225-0706
003658	2530-00-270-3878
003110	2530-00-319-6003
002885	2530-00-392-4422
003159	2530-00-420-8605
002755	2530-00-433-2950
002913	2530-00-509-9789
003741	2530-00-512-2364
002914	2530-00-515-1236
003849	2530-00-517-5260
003902	2530-00-537-0662
002889	2530-00-537-0960
002214	2530-00-546-0078
002215	2530-00-547-6352
003097	2530-00-561-8253
003776	2530-00-566-7650
002925	2530-00-568-7620
002924	2530-00-601-2876
003210	2530-00-601-2963
003214	2530-00-602-1273
002898	2530-00-604-9891
002919	2530-00-609-7102
002900	2530-00-609-7103
003023	2530-00-610-2987
003798	2530-00-626-2385
003050	2530-00-629-2562
003052	2530-00-629-2602
003032	2530-00-629-6849
002951	2530-00-630-4058
003022	2530-00-715-4906
003056	2530-00-732-5144
002089	2530-00-733-4654
002973	2530-00-753-0709
003720	2530-00-753-9300
002883	2530-00-753-9362
002882	2530-00-753-9371
003195	2530-00-757-0749
003254	2530-00-807-6503
003112	2530-00-832-7696
003183	2530-00-852-6410
003903	2530-00-862-9547
003850	2530-00-873-2943
000702	2530-00-921-6923
002974	2530-00-922-3522
003570	2530-00-946-9278
002995	2530-00-971-1910
002127	2530-00-977-0779
003055	2530-00-977-0781
003044	2530-00-977-0782
003113	2530-00-977-2593
003509	2530-00-979-5545
002254	2530-66-010-5676
002306	2530-66-010-5676
002339	2530-66-010-5703
003908	2530-66-010-5793
003904	2530-66-010-5854
002748	2530-66-010-5855
002330	2530-66-010-6174
002228	2530-66-010-6180
003901	2530-66-010-6181
003905	2530-66-010-6260

SERIAL No	DSN
002780	2530-66-010-64C3
003790	2530-66-010-67EC
001035	2530-66-010-7566
002253	2530-66-010-7917
003907	2530-66-010-8447
002248	2530-66-011-1257
002333	2530-66-011-1573
002321	2530-66-011-1974
003384	2530-66-011-2141
003424	2530-66-011-2143
003368	2530-66-011-2146
003340	2530-66-011-2178
003419	2530-66-011-2178
003377	2530-66-011-2270
003465	2530-66-011-2270
003374	2530-66-011-2641
003375	2530-66-011-2642
003330	2530-66-011-2866
003409	2530-66-011-2866
002917	2530-66-011-2864
003363	2530-66-011-3024
003445	2530-66-011-3024
003521	2530-66-011-3255
002897	2530-66-011-3464
002896	2530-66-011-3465
003528	2530-66-011-3755
003408	2530-66-011-3769
003552	2530-66-011-3951
003386	2530-66-011-3937
002894	2530-66-011-4852
003667	2530-66-011-5072
003806	2530-66-017-4675
002771	2530-66-017-4716
002772	2530-66-017-4717
002785	2530-66-017-4718
002769	2530-66-017-4720
002751	2530-66-018-2078
002775	2530-66-018-2124
002792	2530-66-018-2125
002847	2530-66-018-2161
002824	2530-66-018-2162
002296	2530-66-018-3354
003710	2530-66-018-3356
003514	2530-66-018-3363
003709	2530-66-018-3363
003567	2530-66-018-3365
002786	2530-66-018-3372
002787	2530-66-018-3377
002585	2530-66-018-3358
002586	2530-66-018-3359
002767	2530-66-018-3415
002791	2530-66-018-3428
002789	2530-66-018-3425
002777	2530-66-018-3430
002227	2530-66-018-5722
002226	2530-66-018-5723
003770	2530-66-018-5724
003651	2530-66-018-6177
002781	2530-66-018-6955
002788	2530-66-018-6955
003122	2530-66-018-6956
003177	2530-66-018-6956
003835	2530-66-018-7700
003571	2530-66-018-7842
003853	2530-66-018-7933

SERIAL No	USN
CC3781	2530-66-018-8160
003777	2530-66-018-8870
003754	2530-66-018-8874
005468	2530-66-018-8897
003306	2530-66-018-8898
003288	2530-66-018-8899
003478	2530-66-018-8900
003359	2530-66-018-8902
003334	2530-66-018-8992
003413	2530-66-018-8992
003576	2530-66-019-0866
002893	2530-66-019-0983
002892	2530-66-019-0984
002851	2530-66-019-0985
002890	2530-66-019-0986
003045	2530-66-019-0996
003040	2530-66-019-0998
003887	2530-66-019-1524
003775	2530-66-019-1549
003462	2530-66-019-1557
003459	2530-66-019-1559
003457	2530-66-019-1561
003470	2530-66-019-1563
003479	2530-66-019-1567
003259	2530-66-019-1569
003250	2530-66-019-1570
003240	2530-66-019-1571
003255	2530-66-019-1575
003253	2530-66-019-1576
003786	2530-66-019-1586
003480	2530-66-019-1603
003407	2530-66-019-1604
003439	2530-66-019-1607
003353	2530-66-019-1612
003433	2530-66-019-1612
003354	2530-66-019-1613
003434	2530-66-019-1613
003258	2530-66-019-1614
002658	2530-66-019-1637
002620	2530-66-019-1808
003293	2530-66-019-1811
003289	2530-66-019-1812
003305	2530-66-019-1815
002660	2530-66-019-1821
003251	2530-66-019-1870
002659	2530-66-019-1893
003125	2530-66-019-1896
002656	2530-66-019-3503
003323	2530-66-019-3505
003412	2530-66-019-3505
002949	2530-66-019-3529
003328	2530-66-019-3538
003329	2530-66-019-3539
003348	2530-66-019-3641
003299	2530-66-019-8080
001039	2530-66-021-0179
002266	2530-66-021-5704
002305	2530-66-021-5704
003683	2530-66-021-5766
003888	2530-66-021-5767
003467	2530-66-023-4916
002750	2530-66-025-2082
003017	2530-66-025-2086
002131	2530-66-026-2328
003263	2530-66-026-2494

SERIAL No	USN
003471	2530-66-026-2495
003238	2530-66-027-2458
000971	2530-66-027-8331
003033	2530-66-027-8618
002870	2530-66-030-7435
003147	2530-66-033-9968
003152	2530-66-033-9969
003156	2530-66-034-0325
003162	2530-66-034-0327
003168	2530-66-034-0328
003048	2530-66-039-2193
001078	2530-66-058-5379
002120	2530-66-060-4413
003814	2530-66-060-4414
003165	2530-66-068-0471
003217	2530-66-117-3822
003566	2530-66-093-7878
003541	2530-66-100-5887
003847	2530-66-102-4623
001051	2530-99-401-2080
003366	2530-99-401-2115
003448	2530-99-401-2115
003450	2530-99-401-2115
003367	2530-99-401-2116
003449	2530-99-401-2116
003472	2530-99-802-1061
003427	2530-99-804-8306
001045	2530-99-807-3076
003361	2530-99-813-5765
003362	2530-99-813-5765
003443	2530-99-813-5765
003440	2530-99-814-0915
003342	2530-99-815-8111
003421	2530-99-815-8111
003216	2530-99-824-9579
003456	2530-99-833-9253
003335	2530-99-836-3600
003414	2530-99-836-3600
003341	2530-99-836-4706
003420	2530-99-836-4706
003357	2530-99-836-4723
003373	2530-99-836-4723
003437	2530-99-836-4723
003455	2530-99-836-4723
001040	2530-99-836-5178
003382	2530-99-836-5286
001074	2530-99-836-5868
001037	2530-99-836-5875
003102	2530-99-881-7540
003355	2530-99-881-8300
003435	2530-99-881-8300
005170	2540-00-718-5224
003103	2540-00-832-7704
005219	2540-00-892-5313
003955	2540-66-010-5876
005599	2540-66-011-1639
003985	2540-66-011-2222
005206	2540-66-011-2268
003987	2540-66-011-4273
005214	2540-66-013-2785
005410	2540-66-017-3945
004517	2540-66-017-4673
005394	2540-66-017-8335
004097	2540-66-018-2062
004132	2540-66-018-2062
005352	2540-66-018-2095

7500 0030
 PARTS PERIODIC SUPPLIES PARTS

SERIAL No	DSN
004613	2540-66-018-2131
005291	2540-66-018-2164
000982	2540-66-018-3284
000983	2540-66-018-3286
000616	2540-66-018-3287
004106	2540-66-018-3305
004141	2540-66-018-3305
005505	2540-66-018-3365
005508	2540-66-018-3366
005506	2540-66-018-3367
005507	2540-66-018-3368
005395	2540-66-018-3445
005399	2540-66-018-3446
005643	2540-66-018-3453
005652	2540-66-018-3454
005601	2540-66-018-3455
005600	2540-66-018-3456
005612	2540-66-018-3457
005613	2540-66-018-3458
005714	2540-66-018-3459
005738	2540-66-018-3484
005619	2540-66-018-3485
005620	2540-66-018-3486
005656	2540-66-018-3489
005638	2540-66-018-3490
005636	2540-66-018-3491
005627	2540-66-018-3492
005201	2540-66-018-3758
005202	2540-66-018-3759
005603	2540-66-018-5972
005602	2540-66-018-5973
005412	2540-66-018-6178
005301	2540-66-018-6181
005209	2540-66-018-7936
005208	2540-66-018-7937
004916	2540-66-018-7947
005213	2540-66-018-7952
004105	2540-66-018-8887
005414	2540-66-019-3979
004098	2540-66-022-2053
004133	2540-66-022-2053
005212	2540-66-022-2056
005459	2540-66-023-0829
005172	2540-66-023-1904
005173	2540-66-023-1905
004614	2540-66-023-6031
004602	2540-66-025-1942
004601	2540-66-025-1943
005464	2540-66-025-2299
005482	2540-66-025-2299
005318	2540-66-025-2304
005692	2540-66-027-2256
005690	2540-66-027-2257
004103	2540-66-027-8351
004138	2540-66-027-8351
004104	2540-66-027-8352
004139	2540-66-027-8352
004107	2540-66-027-8353
005304	2540-66-027-8636
005413	2540-66-027-8637
005400	2540-66-027-8638
005737	2540-66-027-8629
005693	2540-66-032-0465
004917	2540-66-036-6444
005697	2540-66-037-1989

SERIAL No	DSN
CC5649	2540-66-037-2501
CC5680	2540-66-038-5354
CC5681	2540-66-038-5355
CC4140	2540-66-048-8540
CC4146	2540-66-048-8541
CC4143	2540-66-048-8542
CC4152	2540-66-048-8542
CC4145	2540-66-048-8544
CC4144	2540-66-048-8547
CC4121	2540-66-049-4125
CC4653	2540-66-051-7079
CC5630	2540-66-051-7625
CC5633	2540-66-051-7626
CC5363	2540-66-067-7924
CC5364	2540-66-067-7925
CC5639	2540-99-805-8676
CC3841	2590-00-215-5193
CC3843	2590-00-737-3216
CC6683	2590-00-847-0959
CC4869	2590-00-847-0959
CC0224	2590-00-892-8580
CC5355	2590-66-010-5884
CC4446	2590-66-010-5948
CC5488	2590-66-011-1979
CC3845	2590-66-011-2266
CC2481	2590-66-011-2854
CC2703	2590-66-011-3037
CC2610	2590-66-011-3038
CC2690	2590-66-011-3038
CC3878	2590-66-011-4085
CC4727	2590-66-011-4350
CC3637	2590-66-013-2859
CC2826	2590-66-017-4702
CC5349	2590-66-017-4703
CC0614	2590-66-017-4729
CC2440	2590-66-017-4782
CC4250	2590-66-018-2094
CC4731	2590-66-018-2153
CC4759	2590-66-018-2162
CC0834	2590-66-018-3293
CC0882	2590-66-018-3293
CC4443	2590-66-018-3293
CC4672	2590-66-018-3376
CC4648	2590-66-018-3387
CC4667	2590-66-018-3388
CC4674	2590-66-018-3389
CC4657	2590-66-018-3390
CC4666	2590-66-018-3391
CC4659	2590-66-018-3409
CC2579	2590-66-018-3417
CC4922	2590-66-018-3449
CC4923	2590-66-018-3450
CC4478	2590-66-018-3494
CC4652	2590-66-018-3509
CC2574	2590-66-018-5715
CC3725	2590-66-018-5715
CC5637	2590-66-018-5998
CC4768	2590-66-018-6180
CC4480	2590-66-018-6800
CC2453	2590-66-018-6986
CC02528	2590-66-018-6986
CC5354	2590-66-018-6993
CC2649	2590-66-018-8178
CC2482	2590-66-018-8884
CC3844	2590-66-019-1547

SERIAL No	DSN
002485	2590-66-019-1824
002447	2590-66-019-1826
002448	2590-66-019-1827
002455	2590-66-019-1849
002479	2590-66-019-1852
002470	2590-66-019-1854
002491	2590-66-019-1855
002465	2590-66-019-1858
002460	2590-66-019-1863
004346	2590-66-019-1867
002484	2590-66-019-1868
002624	2590-66-019-3526
002654	2590-66-023-7401
000623	2590-66-026-1725
000635	2590-66-026-1725
004444	2590-66-026-2313
002668	2590-66-026-2779
004379	2590-66-029-6661
004387	2590-66-029-6662
004421	2590-66-031-3603
004422	2590-66-031-3604
004426	2590-66-034-5845
002625	2590-66-036-6113
002513	2590-66-036-6137
004751	2590-66-036-6441
004725	2590-66-037-3328
002476	2590-66-037-3329
002661	2590-66-037-7518
004736	2590-66-051-7080
002542	2590-66-058-4584
004224	2590-66-058-4633
002627	2590-66-060-0552
000194	2805-00-075-1731
000197	2805-00-163-3736
000288	2805-00-176-6858
000212	2805-00-374-9443
000193	2805-00-374-9446
000222	2805-00-374-9447
000204	2805-00-386-3655
000753	2805-00-594-9377
000793	2805-00-594-9377
000153	2805-00-601-7055
000203	2805-00-629-5061
000219	2805-00-670-9522
000328	2805-00-670-9541
000120	2805-00-670-9559
000319	2805-00-779-7355
000329	2805-00-793-2346
000389	2805-00-844-9039
000130	2805-00-845-5182
000034	2805-66-010-5730
000181	2805-66-010-5750
000160	2805-66-010-5751
000158	2805-66-010-5752
000157	2805-66-010-5753
000156	2805-66-010-5754
000155	2805-66-010-5755
000132	2805-66-010-5786
000280	2805-66-010-5794
000135	2805-66-010-5808
000187	2805-66-010-5937
000145	2805-66-010-5938
000144	2805-66-010-5939
000146	2805-66-010-5940
000121	2805-66-010-6233

SERIAL No.	DSN	SERIAL No.	DSN	SERIAL No.	DSN
000217	2805-66-C10-6259	CC0555	2910-66-017-2567	001457	2920-66-019-1509
000026	2805-66-010-6742	000577	2910-66-017-2568	001454	2920-66-019-1510
000211	2805-66-C10-6743	CC0579	2910-66-017-2569	001459	2920-66-019-1511
000766	2805-66-C10-6744	CC0589	2910-66-017-2570	001475	2920-66-019-1516
000803	2805-66-010-6744	000564	2910-66-017-2572	001445	2920-66-019-1517
000290	2805-66-010-6771	CC0560	2910-66-017-2573	001468	2920-66-019-1519
000068	2805-66-010-6774	000569	2910-66-017-2574	001451	2920-66-019-1521
000323	2805-66-C10-6778	CC0573	2910-66-017-2575	001453	2920-66-019-1522
000142	2805-66-C10-8566	CC0590	2910-66-017-2577	004348	2920-66-019-1869
000285	2805-66-011-1982	CC0561	2910-66-017-2578	001314	2920-66-024-9516
000070	2805-66-C11-486E	CC0524	2910-66-017-2579	001343	2920-66-025-1933
000019	2805-66-C13-3295	CC0530	2910-66-017-2582	001200	2920-66-026-2724
000199	2805-66-017-2562	CC0568	2910-66-017-3895	001201	2920-66-026-2725
000039	2805-66-C17-3957	CC0576	2910-66-017-3898	001206	2920-66-026-2726
000059	2805-66-017-4073	000578	2910-66-017-3899	001219	2920-66-026-2727
000387	2805-66-017-4079	CC0582	2910-66-017-3902	001244	2920-66-026-2729
000289	2805-66-017-4085	CC0643	2910-66-017-3904	001276	2920-66-026-6489
000210	2805-66-017-4738	CC0632	2910-66-017-4722	001214	2920-66-027-8382
000201	2805-66-C17-4740	CC0752	2910-66-017-4724	001215	2920-66-027-8383
000079	2805-66-017-4751	CC0792	2910-66-017-4724	001234	2920-66-027-8385
000139	2805-66-017-4752	CC4812	2910-66-018-3442	001248	2920-66-027-8386
000140	2805-66-017-4753	CC0629	2910-66-018-7820	001208	2920-66-027-8725
000141	2805-66-017-4754	CC0591	2910-66-018-7964	001312	2920-66-027-8817
000754	2805-66-C17-4757	CC0592	2910-66-018-7966	001342	2920-66-032-8020
000795	2805-66-017-4757	000461	2910-66-018-8179	001498	2920-66-034-0330
000029	2805-66-C18-2046	CC0470	2910-66-019-0892	001507	2920-66-034-0332
000198	2805-66-C18-2047	CC0448	2910-66-019-0899	001509	2920-66-034-0334
000681	2805-66-C18-2052	CC0451	2910-66-019-1582	001512	2920-66-034-0335
000680	2805-66-C18-2053	CC0453	2910-66-019-1583	001513	2920-66-034-0336
000291	2805-66-018-7940	CC0460	2910-66-019-1585	001516	2920-66-034-0337
000053	2805-66-018-7956	CC0468	2910-66-019-3549	001522	2920-66-034-0340
000049	2805-66-018-7957	CC0416	2910-66-021-1866	001530	2920-66-034-0343
000042	2805-66-018-7958	000644	2910-66-024-9517	001535	2920-66-034-0344
001681	2805-66-C18-7958	CC4806	2910-66-024-9784	001518	2920-66-034-3956
000188	2805-66-018-8776	CC4815	2910-66-024-9785	001355	2920-66-036-6027
000202	2805-66-018-8800	CC4829	2910-66-024-9789	001556	2920-66-048-0367
000205	2805-66-C18-885E	CC0497	2910-66-045-2849	001583	2920-66-048-0368
000350	2805-66-C19-0552	CC0498	2910-66-048-0263	001580	2920-66-048-0369
000391	2805-66-C19-0558	CC4814	2910-66-051-7633	001565	2920-66-048-0370
000382	2805-66-019-1672	CC4807	2910-66-082-6241	001416	2920-66-051-7571
000127	2805-66-C25-0039	CC0501	2910-66-106-0490	001417	2920-66-051-7572
001307	2805-66-C25-2089	CC0476	2910-99-405-2748	001415	2920-66-051-7573
000004	2805-66-026-1723	000469	2910-99-807-7137	001278	2920-66-058-5717
000799	2805-66-026-1721	CC0458	2910-99-807-7191	001389	2920-66-092-5981
000800	2805-66-026-1732	CC0465	2910-99-850-0576	001411	2920-66-092-6605
000137	2805-66-026-3723	CC1631	2920-00-892-3007	001412	2920-66-092-6606
000138	2805-66-026-3724	CC1279	2920-66-010-5941	001407	2920-66-092-6607
000148	2805-66-026-3726	CC1270	2920-66-010-6238	001585	2920-66-107-6341
000002	2805-66-C29-6663	CC0065	2920-66-010-7921	001588	2920-66-107-6342
000003	2805-66-030-8743	CC1204	2920-66-017-3909	001587	2920-66-107-6343
000143	2805-66-C44-0075	CC1203	2920-66-018-3982	001586	2920-66-107-6344
000183	2805-66-C95-8742	CC1238	2920-66-018-3984	001446	2920-99-802-9476
002989	2815-00-603-1522	CC1223	2920-66-018-3991	001508	2920-99-802-9476
000200	2815-00-625-5054	CC1245	2920-66-018-3993	000713	2930-00-219-9619
000456	2910-00-165-9960	CC1239	2920-66-018-3994	000214	2930-00-900-6732
000449	2910-00-288-1652	CC1240	2920-66-018-3994	000716	2930-00-900-6732
000571	2910-00-262-9265	CC4177	2920-66-018-5643	000664	2930-66-010-8587
000640	2910-00-447-5750	CC4174	2920-66-018-5645	000707	2930-66-017-3946
000529	2910-66-015-2832	CC4439	2920-66-018-5705	000724	2930-66-017-4078
000538	2910-66-C16-0352	CC1466	2920-66-018-8890	000727	2930-66-018-8787
000523	2910-66-017-2556	CC1439	2920-66-019-1506	000659	2930-66-024-9908
000528	2910-66-017-2557	CC1461	5305-66-019-1530	000676	2930-66-024-9921
000522	2910-66-017-2560	CC1472	2920-66-019-1506	000699	2930-66-025-0024
000546	2910-66-017-2564	CC1447	2920-66-019-1507	000660	2930-66-027-8335
000556	2910-66-017-2566	CC1450	2920-66-019-1508	000661	2930-66-027-8336

SERIAL No	DSN
000422	2940-00-358-4534
000415	2940-00-846-9009
000355	2940-66-010-6555
000349	2940-66-010-8613
000352	2940-66-017-3543
000423	2940-66-018-8816
000425	2940-66-023-1517
000352	2990-00-670-9536
000393	2990-00-670-9544
000841	2990-66-017-4663
000902	2990-66-017-4663
000826	2990-66-017-4664
000886	2990-66-017-4665
005242	2990-66-017-4700
005254	2990-66-017-4701
000875	2990-66-024-7267
000872	2990-66-024-7268
000878	2990-66-024-7269
000876	2990-66-024-7348
000840	2990-66-025-1522
000899	2990-66-025-1522
000828	2990-66-025-1523
000877	2990-66-025-1523
000893	2990-66-026-1735
000847	2990-66-058-5515
000830	2990-66-058-5516
001072	2990-95-881-6380
000316	3020-00-204-2841
002406	3020-00-294-8810
000115	3020-00-374-9356
000321	3020-00-793-2345
001835	3020-00-844-4581
001658	3020-00-846-4855
002359	3020-00-848-2506
000698	3020-00-873-2825
001797	3020-66-010-5837
001825	3020-66-010-6597
001825	3020-66-010-6598
002829	3020-66-011-4374
000038	3020-66-018-2049
004758	3020-66-018-3514
004766	3020-66-018-3515
004737	3020-66-018-3541
001661	3020-66-018-8824
001667	3020-66-018-8834
001648	3020-66-018-8514
000123	3020-66-025-0320
000126	3020-66-026-1720
001320	3020-66-032-8025
002825	3030-66-013-4905
000712	3030-66-025-0028
001313	3030-66-025-0028
001798	3040-66-017-4088
001804	3040-66-017-4090
001821	3040-66-017-4092
000615	3040-66-017-4735
001937	3040-66-018-2150
002759	3040-66-019-8508
002041	3040-66-026-2324
002037	3040-66-026-2325
002039	3040-66-026-2326
002038	3040-66-026-2327
002761	3040-66-027-8810
001625	3110-00-073-3472
001816	3110-00-100-0268

SERIAL No	DSN
CC1800	3110-00-100-0271
002335	3110-00-100-0305
CC2326	3110-00-100-0305
CC1801	3110-00-100-0323
001817	3110-00-100-0323
CC2343	3110-00-100-0328
CC1823	3110-00-100-0331
CC2403	3110-00-100-0381
CC2240	3110-00-100-0585
001822	3110-00-100-0655
CC2404	3110-00-100-3095
CC1617	3110-00-100-6170
002054	3110-00-100-6180
CC3378	3110-00-100-6180
003464	3110-00-100-6180
001612	3110-00-100-6186
CC2376	3110-00-103-7332
CC1666	3110-00-112-6331
001655	3110-00-117-0693
CC2241	3110-00-142-4357
002337	3110-00-142-4361
CC1630	3110-00-155-6188
CC0941	3110-00-156-3542
002449	3110-00-156-8062
000117	3110-00-173-1875
000282	3110-00-198-1906
CC2209	3110-00-198-2170
003752	3110-00-227-4830
002377	3110-00-229-0272
002877	3110-00-554-3184
CC1664	3110-00-554-5960
CC3791	3110-00-844-2095
003753	3110-00-844-2095
CC2378	3110-00-929-4083
CC1675	3110-00-991-7538
002342	3110-66-013-9299
CC1838	3110-66-017-4604
CC1220	3110-66-018-3977
CC2210	3110-66-018-6997
003778	3110-66-021-1641
002388	3110-66-032-3450
CC1358	3110-66-034-0822
CC2936	3110-66-051-7081
CC1000	3110-66-054-6577
002412	3120-00-288-2905
003779	3120-00-371-3134
CC2407	3120-00-383-4792
CC0228	3120-00-592-1763
CC3027	3120-00-629-2559
003947	3120-00-661-5512
000147	3120-00-661-6607
CC1836	3120-00-661-9380
CC0129	3120-00-710-6817
000119	3120-00-713-7074
CC2888	3120-00-737-2708
002880	3120-00-753-9369
CC2881	3120-00-753-9370
CC0154	3120-00-965-0448
000216	3120-66-010-5936
003953	3120-66-010-6615
001756	3120-66-010-6621
CC1818	3120-66-010-6622
CC2155	3120-66-010-6623
002235	3120-66-010-8878
004877	3120-66-011-0891

SERIAL No	DSN
001805	3120-66-011-2109
002469	3120-66-011-2957
002444	3120-66-011-2961
002475	3120-66-011-3831
004726	3120-66-011-4858
004757	3120-66-011-4858
004767	3120-66-011-4858
000131	3120-66-013-2815
000133	3120-66-013-2816
004755	3120-66-017-3880
001803	3120-66-017-4087
004692	3120-66-018-3411
001236	3120-66-018-5557
002768	3120-66-018-6594
001669	3120-66-018-8912
001645	3120-66-018-8920
001644	3120-66-018-8921
001635	3120-66-019-0544
001634	3120-66-019-0545
001633	3120-66-019-0547
000159	3120-66-019-0569
001463	3120-66-019-1512
001476	3120-66-019-1514
001467	3120-66-019-1520
001668	3120-66-019-1661
002482	3120-66-019-1814
001444	3120-66-023-1915
001745	3120-66-024-7360
001524	3120-66-034-0342
001442	3120-66-035-3482
002879	3120-66-058-5415
001646	3120-66-092-6077
001460	3120-66-093-7898
001506	3120-66-093-7898
001517	3120-66-093-7898
001558	3120-66-095-8840
001849	3130-66-017-4687
004769	3815-66-018-2161
002456	3830-00-217-9772
002472	3830-00-718-7491
004813	4010-66-012-4888
000185	4010-66-015-8992
004702	4010-66-015-8992
004706	4010-66-015-8992
002525	4010-66-018-2067
002520	4010-66-018-2076
005657	4010-66-028-0606
005736	4010-66-028-0606
002545	4010-66-044-0124
002526	4030-66-013-0217
002521	4030-66-020-3144
004616	4030-66-029-0135
000697	4320-66-025-0044
001960	4710-66-019-1817
003702	4710-66-019-1817
000252	4710-66-019-1819
002573	4710-66-019-1819
003623	4710-66-019-1819
002843	4710-66-023-6024
003747	4710-66-028-2982
003942	4710-66-028-2982
004800	4710-66-036-3281
001958	4710-66-036-3284
003559	4710-66-036-4648
003580	4710-66-036-4649

SERIAL No	DSN
003745	4710-66-036-4645
003642	4710-66-036-6138
003668	4710-66-036-6139
003508	4710-66-036-6435
003712	4710-66-036-6435
003733	4710-66-036-6440
003545	4710-66-036-6443
003512	4710-66-037-1782
003515	4710-66-037-1783
004837	4710-66-037-4005
004839	4710-66-037-4007
002577	4710-66-037-4008
002578	4710-66-037-4009
003577	4710-66-037-4382
004803	4710-66-051-7113
003556	4710-66-052-4565
003539	4710-66-054-8871
003622	4710-66-054-8872
003624	4710-66-054-8873
002587	4710-66-054-8874
003630	4710-66-056-3511
003707	4710-66-056-3511
003545	4710-66-056-3512
003706	4710-66-056-3515
002572	4710-66-060-0554
003535	4710-66-060-0700
003743	4710-66-060-0700
004844	4710-66-065-3223
003534	4710-66-065-3226
003527	4710-66-065-3227
003548	4710-66-065-3228
003736	4710-66-065-3228
003744	4710-66-065-3229
003550	4710-66-065-3933
003550	4710-66-065-3934
003629	4710-66-065-3935
004805	4710-66-067-5127
004835	4710-66-067-5128
002724	4710-66-093-1706
002723	4710-66-093-1707
002725	4710-66-093-1708
000718	4720-00-807-2405
004759	4720-66-010-9550
002824	4720-66-017-4723
000420	4720-66-018-2060
000674	4720-66-018-3335
003694	4720-66-018-3335
003698	4720-66-018-3334
003718	4720-66-018-3334
003695	4720-66-018-3335
001009	4720-66-023-7632
000677	4720-66-024-9929
001945	4720-66-025-2065
001946	4720-66-025-2071
001932	4720-66-025-2072
003696	4720-66-082-6532
003737	4730-00-011-2304
001959	4730-00-011-6452
002844	4730-00-011-6452
003516	4730-00-011-6452
003560	4730-00-011-6452
003581	4730-00-011-6452
003703	4730-00-011-6452
003252	4730-00-012-7551
002230	4730-00-021-9302

SERIAL No	DSN
CC2308	4730-00-021-9302
000256	4730-00-044-4040
CC2784	4730-00-050-4208
CC3511	4730-00-054-2572
CC3704	4730-00-090-0832
CC0452	4730-00-142-2177
CC3948	4730-00-172-0025
CC1736	4730-00-172-0034
002766	4730-00-172-0034
CC0426	4730-00-187-4191
CC3626	4730-00-200-0257
CC3510	4730-00-200-0437
CC1947	4730-00-254-6211
CC3708	4730-00-254-6211
CC3583	4730-00-265-6909
CC3749	4730-00-265-6909
CC2846	4730-00-266-0538
CC3705	4730-00-266-0538
CC0757	4730-00-277-1896
CC0757	4730-00-277-1896
CC0254	4730-00-277-8274
CC0758	4730-00-277-8274
CC0758	4730-00-277-8274
CC0473	4730-00-277-8768
003523	4730-00-278-5812
CC3625	4730-00-287-1391
CC3540	4730-00-461-0963
CC3659	4730-00-461-0963
003662	4730-00-463-1588
CC3525	4730-00-516-7419
CC3544	4730-00-521-5672
CC3657	4730-00-595-0083
CC2126	4730-00-626-0228
CC2954	4730-00-626-0228
CC3660	4730-00-720-5002
CC2940	4730-00-788-5959
CC2941	4730-00-788-5959
CC3249	4730-00-788-5959
003656	4730-00-810-3614
CC3622	4730-00-902-8990
003643	4730-66-010-5998
CC0253	4730-66-010-6000
CC0073	4730-66-010-7568
CC3780	4730-66-010-8408
CC2050	4730-66-010-9161
CC2580	4730-66-011-2053
CC3649	4730-66-011-2837
CC3632	4730-66-011-3302
CC3641	4730-66-011-3900
003527	4730-66-011-3983
CC2202	4730-66-011-4090
CC2445	4730-66-011-4090
CC3742	4730-66-011-4126
CC3501	4730-66-011-4425
CC3719	4730-66-011-4425
CC3661	4730-66-011-4902
CC1855	4730-66-011-4927
CC3624	4730-66-011-6008
002821	4730-66-011-9696
CC4658	4730-66-011-9696
CC0717	4730-66-012-8260
CC0419	4730-66-012-8261
CC2454	4730-66-013-9250
CC3900	4730-66-013-9250
CC4699	4730-66-013-9250

SERIAL No	DSN
004712	4730-66-013-9250
004730	4730-66-013-9779
002763	4730-66-015-0657
003513	4730-66-017-2370
003578	4730-66-017-2370
003734	4730-66-017-2370
003748	4730-66-017-2370
002845	4730-66-017-2402
000966	4730-66-018-3285
002231	4730-66-018-3460
002307	4730-66-018-3460
004747	4730-66-018-3942
003717	4730-66-018-6103
003723	4730-66-018-6176
CC3506	4730-66-018-6598
003697	4730-66-018-6598
003714	4730-66-018-6999
003631	4730-66-018-7822
003635	4730-66-018-7824
003729	4730-66-018-8156
002930	4730-66-018-8175
001693	4730-66-019-0535
003542	4730-66-019-0869
003557	4730-66-019-0870
003713	4730-66-019-0870
003636	4730-66-019-0871
003721	4730-66-019-0872
003735	4730-66-019-0874
002663	4730-66-019-1894
002693	4730-66-023-8381
000839	4730-66-024-9966
000898	4730-66-024-9966
001940	4730-66-025-2068
002575	4730-66-025-2068
001957	4730-66-025-2070
000052	4730-66-026-1727
000058	4730-66-026-1727
003558	4730-66-026-2498
002571	4730-66-026-2559
004825	4730-66-027-8330
003120	4730-66-028-0450
001933	4730-66-030-0684
001952	4730-66-031-0064
001996	4730-66-031-0064
004750	4730-66-031-0064
004756	4730-66-031-0064
001688	4730-66-031-6519
000055	4730-66-032-1425
000286	4730-66-032-1425
002732	4730-66-033-3813
003579	4730-66-033-9203
002157	4730-66-038-0295
004802	4730-66-040-7097
000675	4730-66-058-3139
003469	4730-99-826-6465
000455	4820-00-358-5632
003650	4820-00-420-5499
003565	4820-00-595-2761
000255	4820-00-708-9524
001854	4820-00-726-4719
002229	4820-00-726-4719
002303	4820-00-726-4719
003562	4820-00-753-3853
003564	4820-01-008-9409
000689	4820-66-011-0622

SERIAL No	DSN
004798	4820-66-018-3358
005509	5305-00-011-6338
005207	5305-00-012-0612
005453	5305-00-012-0612
004255	5305-00-013-2664
005396	5305-00-018-7665
001700	5305-00-206-9523
003959	5305-00-282-8667
005174	5305-00-285-5263
002523	5305-00-298-3167
002542	5305-00-298-3167
000215	5305-00-356-4117
000566	5305-00-358-5464
003772	5305-00-359-1845
003166	5305-00-519-7976
004939	5305-00-543-2325
002902	5305-00-637-9453
000226	5305-00-734-0134
003104	5305-00-741-3314
002340	5305-00-684-6268
005196	5305-00-988-1724
004010	5305-66-010-7763
002002	5305-66-010-9350
002707	5305-66-010-9350
004214	5305-66-012-5422
002477	5305-66-013-9166
004222	5305-66-013-9423
005516	5305-66-013-9423
004226	5305-66-013-9435
004424	5305-66-013-9435
005159	5305-66-013-9426
005250	5305-66-013-9426
004406	5305-66-013-9427
005465	5305-66-013-9440
005483	5305-66-013-9440
003880	5305-66-013-9445
003999	5305-66-013-9445
005179	5305-66-013-9445
005255	5305-66-013-9445
005469	5305-66-013-9445
004220	5305-66-013-9500
003842	5305-66-013-9513
004428	5305-66-013-9513
004031	5305-66-013-9532
004251	5305-66-014-9274
005018	5305-66-015-2156
004907	5305-66-015-2157
005003	5305-66-015-2206
005460	5305-66-015-2206
005192	5305-66-015-3805
005193	5305-66-015-3806
002132	5305-66-015-3823
000563	5305-66-015-3824
000622	5305-66-015-3828
004817	5305-66-015-3829
004827	5305-66-015-3829
005455	5305-66-015-3829
000475	5305-66-015-3830
004350	5305-66-015-3830
004703	5305-66-015-3830
005512	5305-66-015-3831
004440	5305-66-015-3832
000257	5305-66-015-3841
004245	5305-66-015-3841
004442	5305-66-015-3841

SERIAL No	DSN
CC5268	5305-66-015-3841
005295	5305-66-015-3841
CC5258	5305-66-015-3841
004430	5305-66-015-3861
005369	5305-66-015-3895
CC0027	5305-66-015-3930
CC0035	5305-66-015-3930
CC0050	5305-66-015-3931
005572	5305-66-015-3931
004249	5305-66-015-6942
CC5486	5305-66-016-0725
CC4030	5305-66-016-0726
CC1351	5305-66-016-8273
004208	5305-66-016-8273
CC5071	5305-66-016-8273
CC5260	5305-66-016-8273
CC5449	5305-66-016-8273
CC0588	5305-66-017-2576
000527	5305-66-017-2580
CC0570	5305-66-017-3896
CC0580	5305-66-017-3900
CC0583	5305-66-017-3903
CC2708	5305-66-018-3023
002032	5305-66-018-5710
CC2832	5305-66-018-6122
CC4760	5305-66-018-6175
CC0584	5305-66-018-7955
CC1621	5305-66-018-8923
003121	5305-66-019-0897
CC1471	5305-66-019-1525
CC4013	5305-66-019-1527
CC1448	5305-66-019-1528
CC2471	5305-66-019-1780
000457	5305-66-019-1864
CC1942	5305-66-019-3652
CC0207	5305-66-019-3652
002837	5305-66-019-3652
CC0331	5305-66-019-3652
003411	5305-66-019-3652
CC0302	5305-66-019-3652
CC03613	5305-66-019-3652
CC03645	5305-66-019-3652
CC4216	5305-66-019-3652
CC4410	5305-66-019-3652
CC4936	5305-66-019-3652
CC05479	5305-66-019-3652
005523	5305-66-019-3652
CC05727	5305-66-019-3652
CC05310	5305-66-019-3653
CC05343	5305-66-019-3653
CC02582	5305-66-019-3654
CC03518	5305-66-019-3654
CC03617	5305-66-019-3654
002652	5305-66-019-3654
CC05140	5305-66-019-3654
CC05302	5305-66-019-3654
CC05489	5305-66-019-3654
CC05500	5305-66-019-3654
CC00013	5305-66-019-3664
CC00617	5305-66-019-3664
CC05734	5305-66-019-3664
CC00670	5305-66-019-3666
CC03529	5305-66-019-3666
CC03884	5305-66-019-3666
CC04420	5305-66-019-3666

SERIAL No	DSN
004912	5305-66-019-3666
004926	5305-66-019-3666
005445	5305-66-019-3666
005471	5305-66-019-3666
005497	5305-66-019-3666
000663	5305-66-019-3668
001814	5305-66-019-3668
003034	5305-66-019-3668
003553	5305-66-019-3668
003730	5305-66-019-3668
004553	5305-66-019-3668
004882	5305-66-019-3668
004918	5305-66-019-3668
005014	5305-66-019-3668
005031	5305-66-019-3668
005034	5305-66-019-3668
005040	5305-66-019-3668
005042	5305-66-019-3668
000015	5305-66-019-3678
001315	5305-66-019-3678
004728	5305-66-019-3678
005625	5305-66-019-3679
005644	5305-66-019-3679
000842	5305-66-019-3680
000887	5305-66-019-3680
000900	5305-66-019-3680
000972	5305-66-019-3680
001889	5305-66-019-3680
003807	5305-66-019-3680
004649	5305-66-019-3680
004741	5305-66-019-3680
004874	5305-66-019-3680
002532	5305-66-019-3691
004522	5305-66-019-3691
005781	5305-66-019-3691
002531	5305-66-019-3693
003663	5305-66-019-3693
000388	5305-66-019-3699
005640	5305-66-019-3699
001907	5305-66-019-3701
004514	5305-66-019-3701
004612	5305-66-019-3701
004653	5305-66-019-3701
004662	5305-66-019-3701
002467	5305-66-019-3702
004762	5305-66-019-3703
002267	5305-66-019-3704
004753	5305-66-019-3706
004573	5305-66-019-3708
004744	5305-66-019-3708
000061	5305-66-019-3712
000709	5305-66-019-3712
002418	5305-66-019-3712
002480	5305-66-019-3712
003646	5305-66-019-3712
002417	5305-66-019-3714
000069	5305-66-019-3717
005370	5305-66-019-3718
000630	5305-66-019-3719
001280	5305-66-019-3719
003215	5305-66-019-3719
002874	5305-66-019-3720
002931	5305-66-019-3720
002938	5305-66-019-3720
000318	5305-66-019-3721

SERIAL No	DSN
000325	5305-66-C19-3721
000471	5305-66-019-3721
001006	5305-66-C19-3721
001680	5305-66-019-3721
003020	5305-66-C19-3728
000944	5305-66-C19-3728
001671	5305-66-019-3728
001650	5305-66-C19-3728
001310	5305-66-019-3725
001608	5305-66-C19-3728
001655	5305-66-C19-3730
003799	5305-66-019-3730
001308	5305-66-C19-3737
001499	5305-66-019-3738
001755	5305-66-C19-3725
002258	5305-66-019-3741
001729	5305-66-019-3744
000358	5305-66-C19-3751
005077	5305-66-024-9931
000645	5305-66-C27-3085
003018	5305-66-C27-3085
004436	5305-66-027-3085
004342	5305-66-027-9105
004344	5305-66-027-9681
001220	5305-66-C28-0323
001243	5305-66-C28-0323
001246	5305-66-028-0324
003426	5305-66-C28-0338
002092	5305-66-C28-0426
002055	5305-66-C28-0427
003020	5305-66-C28-0440
005045	5305-66-C28-0440
005576	5305-66-C28-0440
002942	5305-66-C28-0455
002946	5305-66-C28-0455
005517	5305-66-C28-0478
004929	5305-66-C28-0520
005188	5305-66-C28-0520
005407	5305-66-C28-0530
005203	5305-66-C28-0523
005211	5305-66-C28-0535
005183	5305-66-028-0536
005319	5305-66-C28-0600
005610	5305-66-C28-0611
005723	5305-66-C28-0611
005604	5305-66-C28-0612
005722	5305-66-028-0612
002486	5305-66-C28-0745
002665	5305-66-C28-0877
003364	5305-66-028-1141
003446	5305-66-C28-1141
002611	5305-66-028-1788
004060	5305-66-028-1785
002518	5305-66-028-3024
003174	5305-66-034-3548
001503	5305-66-034-3551
001533	5305-66-034-3558
001685	5305-66-035-7584
001584	5305-66-C48-0442
001394	5305-66-051-7440
001409	5305-66-051-7442
001410	5305-66-051-7443
001403	5305-66-051-7568
001404	5305-66-051-7570
004006	5305-99-128-7573

SERIAL No	DSN
CC0134	5306-00-213-1635
CC02410	5306-00-298-8676
CC3145	5306-00-519-6666
CC03182	5306-00-519-6666
CC2886	5306-00-534-8178
CC0162	5306-00-600-0204
CC3051	5306-00-712-3285
CC3256	5306-00-811-5685
CC02372	5306-66-011-0532
CC0169	5306-66-011-0725
CC02401	5306-66-011-1566
CC2392	5306-66-011-2006
CC1902	5306-66-011-2935
CC00116	5306-66-011-3914
CC0041	5306-66-011-3915
CC0827	5306-66-011-3963
CC00873	5306-66-011-3963
CC5773	5306-66-012-5800
CC5622	5306-66-012-5906
CC2400	5306-66-013-4119
CC5821	5306-66-014-4965
CC5808	5306-66-017-4721
CC00032	5306-66-018-2045
CC00619	5306-66-018-2085
CC2345	5306-66-018-3307
CC3934	5306-66-018-3339
CC02217	5306-66-018-3435
CC5818	5306-66-018-3481
CC00714	5306-66-018-6987
CC2300	5306-66-018-7818
CC00045	5306-66-018-8925
CC1730	5306-66-019-0568
CC2034	5306-66-019-0841
CC00043	5306-66-019-0852
CC4541	5306-66-019-1533
CC3854	5306-66-019-1552
CC4620	5306-66-019-1580
CC4621	5306-66-019-1581
CC2168	5306-66-019-1743
CC3058	5306-66-019-3642
CC00835	5306-66-019-3755
CC00883	5306-66-019-3755
CC0988	5306-66-019-3755
CC2567	5306-66-019-3755
CC3671	5306-66-019-3755
CC0725	5306-66-019-3768
CC1738	5306-66-019-3768
CC3587	5306-66-019-3768
CC03738	5306-66-019-3768
CC2059	5306-66-019-3770
CC00668	5306-66-019-3774
CC3203	5306-66-019-3777
CC3637	5306-66-019-3778
CC02048	5306-66-019-3782
CC2535	5306-66-019-3782
CC3726	5306-66-019-3782
CC04525	5306-66-019-3782
CC4539	5306-66-019-3782
CC4733	5306-66-019-3782
CC4603	5306-66-019-3784
CC4821	5306-66-019-3784
CC00829	5306-66-019-3785
CC0850	5306-66-019-3785
CC00879	5306-66-019-3785
CC1001	5306-66-019-3785

SERIAL No	DSN
001886	5306-66-019-3785
002756	5306-66-019-3785
004832	5306-66-019-3785
003801	5306-66-019-3786
000975	5306-66-019-3787
000846	5306-66-019-3788
000891	5306-66-019-3788
000894	5306-66-019-3788
001609	5306-66-019-3788
001877	5306-66-019-3788
001305	5306-66-019-3792
004689	5306-66-019-3881
004608	5306-66-019-3882
002221	5306-66-019-3883
002515	5306-66-019-3883
003810	5306-66-019-3888
003956	5306-66-019-3888
004566	5306-66-019-3888
004663	5306-66-019-3888
004771	5306-66-019-3888
002459	5306-66-019-3889
004770	5306-66-019-3890
004772	5306-66-019-3891
003782	5306-66-019-3893
004866	5306-66-019-3896
005631	5306-66-019-3910
005634	5306-66-019-3910
000046	5306-66-019-3912
001317	5306-66-019-3917
002922	5306-66-019-3920
000763	5306-66-019-3923
000764	5306-66-019-3924
002840	5306-66-019-3924
003123	5306-66-019-3924
003773	5306-66-019-3924
003179	5306-66-019-3925
000719	5306-66-019-3927
003940	5306-66-019-3930
000293	5306-66-019-3934
000384	5306-66-019-3941
000720	5306-66-019-4140
000030	5306-66-019-4141
004738	5306-66-019-4161
002815	5306-66-019-7074
004763	5306-66-020-3108
001742	5306-66-024-7361
003932	5306-66-025-2060
003933	5306-66-025-2061
004617	5306-66-026-2714
004947	5306-66-026-2718
002617	5306-66-027-8264
005777	5306-66-028-0610
005694	5306-66-028-3027
000383	5306-66-029-1997
005653	5306-66-031-9479
003943	5306-66-032-1628
000225	5306-66-032-1629
004690	5306-66-033-6893
000124	5306-66-033-8830
001687	5306-66-035-7583
004625	5306-66-038-8210
003952	5306-66-054-8700
000930	5306-66-106-1839
004423	5306-99-941-0297
003244	5307-00-977-0843

SERIAL No	DSN
000207	5307-66-010-5717
002252	5307-66-010-6121
002203	5307-66-010-6122
000755	5307-66-010-9173
000756	5307-66-010-9173
000761	5307-66-010-9174
000801	5307-66-010-9174
003952	5307-66-011-2107
002347	5307-66-011-2917
000749	5307-66-017-2404
000756	5307-66-017-2404
000789	5307-66-017-2404
000754	5307-66-017-2404
002651	5307-66-019-3501
003345	5307-66-019-3505
002236	5307-66-025-1547
003241	5307-66-026-2452
002156	5307-66-026-2807
002920	5307-66-028-3021
001882	5307-66-034-5722
001898	5307-66-034-5724
001899	5307-66-034-5725
003783	5307-66-063-9366
003855	5310-00-010-3325
000828	5310-00-012-2006
000874	5310-00-012-2006
004215	5310-00-013-8530
004944	5310-00-017-4916
004951	5310-00-017-4916
005503	5310-00-050-9068
002943	5310-00-087-0306
002945	5310-00-087-0306
003856	5310-00-136-7842
002887	5310-00-208-4734
001665	5310-00-214-3158
001629	5310-00-269-5501
003106	5310-00-270-8824
001656	5310-00-273-7717
003788	5310-00-274-7744
001806	5310-00-274-8214
002397	5310-00-274-8214
003936	5310-00-275-8264
000762	5310-00-275-8643
002871	5310-00-275-9453
002391	5310-00-291-2955
003846	5310-00-374-0824
000114	5310-00-514-8405
003155	5310-00-519-6552
001808	5310-00-529-8434
002396	5310-00-529-8434
000621	5310-00-532-3160
003039	5310-00-631-0926
000113	5310-00-734-3065
004943	5310-00-809-3078
004945	5310-00-809-3078
003257	5310-00-810-8558
001755	5310-00-843-1921
001752	5310-00-844-6615
004256	5310-00-934-9729
000122	5310-66-010-5561
001813	5310-66-010-5565
001904	5310-66-010-6375
002704	5310-66-010-6376
004424	5310-66-010-6376
001829	5310-66-010-6640

SERIAL No	DSN
CC5606	5310-66-010-7415
CC0990	5310-66-010-7421
CC1044	5310-66-010-7770
000845	5310-66-010-7825
CC0852	5310-66-010-7825
CC0855	5310-66-010-7825
CC01306	5310-66-010-7825
CC1744	5310-66-010-7825
CC2754	5310-66-010-7825
CC5358	5310-66-010-7825
CC0381	5310-66-010-7826
CC05782	5310-66-010-7826
CC0671	5310-66-010-7827
CC04180	5310-66-010-7827
CC05725	5310-66-010-7827
CC5622	5310-66-010-7828
CC5635	5310-66-010-7828
CC2246	5310-66-010-8360
CC04252	5310-66-010-8380
CC5019	5310-66-010-8380
CC5510	5310-66-010-8380
CC3640	5310-66-010-8381
CC02524	5310-66-010-8383
CC0190	5310-66-010-9171
CC05645	5310-66-011-0004
CC5659	5310-66-011-0004
CC0163	5310-66-011-0529
CC0227	5310-66-011-0529
CC02234	5310-66-011-0672
CC2346	5310-66-011-0674
CC4675	5310-66-011-0674
CC2334	5310-66-011-2007
CC1824	5310-66-011-2793
CC03984	5310-66-011-2840
CC2257	5310-66-011-3840
CC2253	5310-66-011-3840
CC1734	5310-66-011-5511
CC5654	5310-66-012-5825
CC0673	5310-66-012-6819
CC1262	5310-66-012-6819
CC2568	5310-66-012-6819
CC02706	5310-66-012-6819
CC4514	5310-66-012-6819
CC04919	5310-66-012-6819
CC5015	5310-66-012-6819
CC05032	5310-66-012-6819
CC5043	5310-66-012-6819
CC5371	5310-66-012-6819
CC05607	5310-66-012-6819
CC5609	5310-66-012-6819
CC5719	5310-66-012-6819
CC02457	5310-66-012-6820
CC0036	5310-66-012-6847
CC1585	5310-66-012-6847
CC04671	5310-66-012-6847
CC05073	5310-66-012-6847
CC5189	5310-66-012-6847
CC5344	5310-66-012-6847
CC5357	5310-66-012-6847
CC5504	5310-66-012-6847
CC05524	5310-66-012-6847
CC04221	5310-66-013-0065
CC0037	5310-66-013-0067
CC00047	5310-66-013-0067
CC0051	5310-66-013-0067

SERIAL No	DSN
000062	5310-66-013-0067
000554	5310-66-013-0067
000715	5310-66-013-0067
000836	5310-66-013-0067
CC0884	5310-66-013-0067
001944	5310-66-013-0067
002208	5310-66-013-0067
002419	5310-66-013-0067
002569	5310-66-013-0067
002583	5310-66-013-0067
002839	5310-66-013-0067
003332	5310-66-013-0067
003410	5310-66-013-0067
003504	5310-66-013-0067
003520	5310-66-013-0067
003615	5310-66-013-0067
003619	5310-66-013-0067
003647	5310-66-013-0067
003654	5310-66-013-0067
003673	5310-66-013-0067
004217	5310-66-013-0067
004670	5310-66-013-0067
004950	5310-66-013-0067
005074	5310-66-013-0067
005141	5310-66-013-0067
005346	5310-66-013-0067
005480	5310-66-013-0067
005490	5310-66-013-0067
005496	5310-66-013-0067
005501	5310-66-013-0067
005577	5310-66-013-0067
000125	5310-66-013-0070
000317	5310-66-013-0070
000472	5310-66-013-0070
000631	5310-66-013-0070
000672	5310-66-013-0070
000726	5310-66-013-0070
001007	5310-66-013-0070
001319	5310-66-013-0070
001456	5310-66-013-0070
001739	5310-66-013-0070
001815	5310-66-013-0070
002003	5310-66-013-0070
002060	5310-66-013-0070
002705	5310-66-013-0070
002875	5310-66-013-0070
002921	5310-66-013-0070
002932	5310-66-013-0070
002937	5310-66-013-0070
003036	5310-66-013-0070
003053	5310-66-013-0070
003531	5310-66-013-0070
003555	5310-66-013-0070
003569	5310-66-013-0070
003589	5310-66-013-0070
003639	5310-66-013-0070
003732	5310-66-013-0070
003740	5310-66-013-0070
003800	5310-66-013-0070
003885	5310-66-013-0070
004554	5310-66-013-0070
004883	5310-66-013-0070
004920	5310-66-013-0070
005016	5310-66-013-0070
005033	5310-66-013-0070

SERIAL No	DSN
005025	5310-66-C13-0070
005041	5310-66-013-0070
005044	5310-66-C13-0070
005402	5310-66-013-0070
005404	5310-66-C13-0070
005446	5310-66-C13-0070
005498	5310-66-013-0070
005774	5310-66-C13-0070
002250	5310-66-C13-0076
004623	5310-66-013-0076
001686	5310-66-013-0078
001884	5310-66-013-0078
002774	5310-66-C13-0078
003247	5310-66-013-0078
004574	5310-66-C13-0078
004740	5310-66-C13-0078
004746	5310-66-013-0078
004754	5310-66-C13-0078
001901	5310-66-013-0075
001955	5310-66-C13-0075
003989	5310-66-C13-0075
000759	5310-66-013-4060
000665	5310-66-013-5312
002409	5310-66-013-5312
003813	5310-66-013-5312
004872	5310-66-013-5312
005466	5310-66-014-1505
005484	5310-66-014-1505
003784	5310-66-015-5018
000386	5310-66-C15-5021
003771	5310-66-C15-5021
004660	5310-66-015-5021
000553	5310-66-015-5026
000587	5310-66-015-5026
000633	5310-66-015-5026
000641	5310-66-015-5026
001393	5310-66-015-5026
004209	5310-66-015-5026
004253	5310-66-015-5026
004351	5310-66-015-5026
004441	5310-66-015-5026
004908	5310-66-015-5026
005021	5310-66-015-5026
005244	5310-66-015-5026
005258	5310-66-015-5026
005451	5310-66-015-5026
005457	5310-66-015-5026
005514	5310-66-015-5026
001567	5310-66-015-5029
005372	5310-66-015-5025
004431	5310-66-C15-5052
005195	5310-66-015-5052
005306	5310-66-015-5053
002249	5310-66-015-5074
004618	5310-66-015-5074
002216	5310-66-015-5075
004061	5310-66-015-5088
001010	5310-66-015-5117
001897	5310-66-015-5118
003522	5310-66-015-5118
003724	5310-66-015-5118
001458	5310-66-015-5124
001455	5310-66-015-5126
000837	5310-66-015-5132
000865	5310-66-015-5132

SERIAL No	DSN
CC5728	5310-66-015-5132
CC5308	5310-66-015-5139
CC0989	5310-66-015-5872
CC5729	5310-66-015-5872
CC2441	5310-66-015-7009
CC4063	5310-66-016-0646
CC4210	5310-66-016-2425
CC4352	5310-66-016-2425
CC4429	5310-66-016-2425
CC4930	5310-66-016-2425
CC5020	5310-66-016-2425
CC5672	5310-66-016-2425
CC5305	5310-66-016-2425
CC0638	5310-66-016-4349
CC4509	5310-66-016-4349
CC5246	5310-66-016-4349
CC5249	5310-66-016-4349
CC0526	5310-66-016-4349
CC1568	5310-66-016-5980
CC4425	5310-66-016-5980
CC5605	5310-66-016-5980
CC5720	5310-66-016-5980
CC0710	5310-66-016-5982
CC0426	5310-66-016-5982
CC5289	5310-66-016-5982
CC5256	5310-66-016-5982
CC5259	5310-66-016-5982
CC5303	5310-66-016-5982
CC05311	5310-66-016-5982
CC5358	5310-66-016-5982
CC1281	5310-66-016-5984
CC5210	5310-66-016-5984
CC4745	5310-66-016-5988
CC02524	5310-66-016-5990
CC2544	5310-66-016-5990
CC3935	5310-66-016-5990
CC00044	5310-66-016-5993
CC1731	5310-66-016-5993
CC01763	5310-66-016-5993
CC1906	5310-66-016-5993
CC2170	5310-66-016-5993
CC02219	5310-66-016-5993
CC2238	5310-66-016-5993
CC02259	5310-66-016-5993
CC2461	5310-66-016-5993
CC02517	5310-66-016-5993
CC02765	5310-66-016-5993
CC2823	5310-66-016-5993
CC03951	5310-66-016-5993
CC3958	5310-66-016-5993
CC4515	5310-66-016-5993
CC4567	5310-66-016-5993
CC4610	5310-66-016-5993
CC4655	5310-66-016-5993
CC4665	5310-66-016-5993
CC4765	5310-66-016-5993
CC04774	5310-66-016-5993
CC4879	5310-66-016-5993
CC05461	5310-66-016-5993
CC5641	5310-66-016-5993
CC05809	5310-66-016-5993
CC00031	5310-66-016-5994
CC0292	5310-66-016-5994
CC1309	5310-66-016-5994
CC1758	5310-66-016-5994

SERIAL No	DSN
002402	5310-66-016-5994
002534	5310-66-016-5994
002817	5310-66-016-5994
003245	5310-66-016-5994
003664	5310-66-016-5994
004523	5310-66-016-5994
005417	5310-66-016-5994
000385	5310-66-016-5995
004810	5310-66-016-5995
000021	5310-66-016-5996
000359	5310-66-016-5996
000721	5310-66-016-5996
000751	5310-66-016-5996
000791	5310-66-016-5996
000831	5310-66-016-5996
000843	5310-66-016-5996
000852	5310-66-016-5996
000881	5310-66-016-5996
000889	5310-66-016-5996
000901	5310-66-016-5996
000943	5310-66-016-5996
000973	5310-66-016-5996
001003	5310-66-016-5996
001311	5310-66-016-5996
001316	5310-66-016-5996
001610	5310-66-016-5996
001672	5310-66-016-5996
001691	5310-66-016-5996
001696	5310-66-016-5996
001743	5310-66-016-5996
001879	5310-66-016-5996
001887	5310-66-016-5996
001891	5310-66-016-5996
002036	5310-66-016-5996
002541	5310-66-016-5996
002612	5310-66-016-5996
002758	5310-66-016-5996
002841	5310-66-016-5996
002903	5310-66-016-5996
003099	5310-66-016-5996
003124	5310-66-016-5996
003148	5310-66-016-5996
003178	5310-66-016-5996
003181	5310-66-016-5996
003242	5310-66-016-5996
003346	5310-66-016-5996
003441	5310-66-016-5996
003728	5310-66-016-5996
003774	5310-66-016-5996
003802	5310-66-016-5996
003808	5310-66-016-5996
004530	5310-66-016-5996
004540	5310-66-016-5996
004605	5310-66-016-5996
004651	5310-66-016-5996
004734	5310-66-016-5996
004743	5310-66-016-5996
004834	5310-66-016-5996
004875	5310-66-016-5996
005038	5310-66-016-5996
005626	5310-66-016-5996
005778	5310-66-016-5996
000474	5310-66-016-5997
000525	5310-66-016-5997
000634	5310-66-016-5997

SERIAL No.	DSN
000642	5310-66-016-5957
002341	5310-66-016-5957
004022	5310-66-016-5957
004248	5310-66-016-5957
004704	5310-66-016-5957
005245	5310-66-016-5957
005259	5310-66-016-5957
005450	5310-66-016-5957
005456	5310-66-016-5957
005512	5310-66-016-5957
004062	5310-66-016-5959
003344	5310-66-016-60C3
004257	5310-66-016-8458
003507	5310-66-016-85C1
003523	5310-66-016-85C2
002353	5310-66-016-85C6
002576	5310-66-016-85C7
005154	5310-66-016-8515
001392	5310-66-016-8516
003021	5310-66-016-8517
004937	5310-66-016-8517
005046	5310-66-016-8517
005157	5310-66-016-8517
005408	5310-66-016-8517
000324	5310-66-016-8518
000618	5310-66-016-8518
000646	5310-66-016-8518
003019	5310-66-016-8518
005184	5310-66-016-8518
000023	5310-66-016-8520
000991	5310-66-016-8520
001500	5310-66-016-8520
000647	5310-66-016-8929
002667	5310-66-016-8929
002818	5310-66-016-8929
000624	5310-66-016-8930
001888	5310-66-016-8930
002158	5310-66-016-8930
002301	5310-66-016-8930
004811	5310-66-016-8930
005037	5310-66-016-8930
005698	5310-66-016-8930
004656	5310-66-016-8932
001748	5310-66-016-8934
002782	5310-66-016-8934
005815	5310-66-016-8934
000526	5310-66-017-25E1
001770	5310-66-017-4066
001833	5310-66-017-4688
002442	5310-66-017-8252
004713	5310-66-017-8253
003476	5310-66-018-0212
003522	5310-66-018-0212
004247	5310-66-018-20E2
000667	5310-66-018-21E0
000967	5310-66-018-32E2
002626	5310-66-018-33C6
004225	5310-66-018-57C6
005648	5310-66-018-5959
003787	5310-66-018-7872
000350	5310-66-018-7929
000666	5310-66-018-7930
004673	5310-66-018-7930
000684	5310-66-018-7931
004867	5310-66-018-7931

SERIAL No.	DSN
004059	5310-66-018-8176
001702	5310-66-019-0530
CC1703	5310-66-019-0531
001676	5310-66-019-0540
CC1465	5310-66-019-1513
CC1520	5310-66-019-1513
CC4000	5310-66-019-1526
CC1445	5310-66-019-1529
002161	5310-66-019-1539
005573	5310-66-019-1540
CC3425	5310-66-019-1605
CC2655	5310-66-019-1640
CC2666	5310-66-019-1641
002490	5310-66-019-1857
CC1570	5310-66-019-3956
CC1543	5310-66-019-3956
CC2570	5310-66-019-3956
002584	5310-66-019-3956
002838	5310-66-019-3956
CC3503	5310-66-019-3956
CC3519	5310-66-019-3956
CC3614	5310-66-019-3956
CC3618	5310-66-019-3956
003653	5310-66-019-3956
CC3672	5310-66-019-3956
CC4411	5310-66-019-3956
CC4669	5310-66-019-3956
CC4545	5310-66-019-3956
004952	5310-66-019-3956
CC5075	5310-66-019-3956
CC5142	5310-66-019-3956
CC5347	5310-66-019-3956
CC5481	5310-66-019-3956
CC5491	5310-66-019-3956
CC5502	5310-66-019-3956
CC0014	5310-66-019-3957
CC0978	5310-66-019-3957
CC1033	5310-66-019-3957
CC2004	5310-66-019-3957
CC2652	5310-66-019-3957
002823	5310-66-019-3957
CC3035	5310-66-019-3957
CC3204	5310-66-019-3957
CC3530	5310-66-019-3957
CC3554	5310-66-019-3957
CC3568	5310-66-019-3957
CC3588	5310-66-019-3957
CC3638	5310-66-019-3957
CC3731	5310-66-019-3957
CC3735	5310-66-019-3957
CC3866	5310-66-019-3957
CC4437	5310-66-019-3957
CC4555	5310-66-019-3957
CC4915	5310-66-019-3957
CC4921	5310-66-019-3957
CC5017	5310-66-019-3957
CC5401	5310-66-019-3957
CC5405	5310-66-019-3957
CC5447	5310-66-019-3957
CC5473	5310-66-019-3957
CC5775	5310-66-019-3957
CC0220	5310-66-019-3958
CC0625	5310-66-019-3958
CC0750	5310-66-019-3958
CC0750	5310-66-019-3958

SERIAL No.	DSN
000832	5310-66-019-3958
000851	5310-66-019-3958
000880	5310-66-019-3958
000888	5310-66-019-3958
001002	5310-66-019-3958
001878	5310-66-019-3958
001890	5310-66-019-3958
001939	5310-66-019-3958
002035	5310-66-019-3958
002049	5310-66-019-3958
002540	5310-66-019-3958
002757	5310-66-019-3958
002760	5310-66-019-3958
002770	5310-66-019-3958
002776	5310-66-019-3958
002790	5310-66-019-3958
002793	5310-66-019-3958
003243	5310-66-019-3958
003347	5310-66-019-3958
003442	5310-66-019-3958
003727	5310-66-019-3958
003803	5310-66-019-3958
003809	5310-66-019-3958
004531	5310-66-019-3958
004541	5310-66-019-3958
004604	5310-66-019-3958
004650	5310-66-019-3958
004729	5310-66-019-3958
004735	5310-66-019-3958
004742	5310-66-019-3958
004808	5310-66-019-3958
004833	5310-66-019-3958
004876	5310-66-019-3958
005039	5310-66-019-3958
005779	5310-66-019-3958
000995	5310-66-019-3959
002222	5310-66-019-3959
002533	5310-66-019-3959
002778	5310-66-019-3959
002816	5310-66-019-3959
004524	5310-66-019-3959
005312	5310-66-019-3959
005416	5310-66-019-3959
000208	5310-66-019-3960
001762	5310-66-019-3960
001905	5310-66-019-3960
002169	5310-66-019-3960
002218	5310-66-019-3960
002237	5310-66-019-3960
002268	5310-66-019-3960
002462	5310-66-019-3960
002516	5310-66-019-3960
002764	5310-66-019-3960
002822	5310-66-019-3960
003950	5310-66-019-3960
003957	5310-66-019-3960
004516	5310-66-019-3960
004568	5310-66-019-3960
004609	5310-66-019-3960
004654	5310-66-019-3960
004664	5310-66-019-3960
004764	5310-66-019-3960
004773	5310-66-019-3960
004878	5310-66-019-3960
005036	5310-66-019-3960

SERIAL No	DSN	SERIAL No	DSN	SERIAL No	DSN
005642	5310-66-019-3560	CC5365	5310-66-067-5797	001998	5315-66-018-7823
005810	5310-66-019-3560	001405	5310-66-098-4439	001992	5315-66-019-0632
004622	5310-66-019-3561	CC4C14	5310-99-803-2943	004599	5315-66-019-1551
001883	5310-66-019-3562	005721	5310-99-895-1542	004710	5315-66-019-1553
001856	5310-66-019-3562	005313	5315-00-013-8082	001989	5315-66-024-5060
002773	5310-66-019-3562	CC0984	5315-00-013-8084	000979	5315-66-026-2308
003248	5310-66-019-3562	CC1004	5315-00-013-8084	004698	5315-66-026-2543
004575	5310-66-019-3562	CC1925	5315-00-013-8084	005359	5315-66-027-2525
004729	5310-66-019-3562	CC1997	5315-00-013-8084	001233	5315-66-028-0332
004745	5310-66-019-3562	CC0320	5315-00-173-1876	003028	5315-66-028-0442
001900	5310-66-019-3563	CC0056	5315-00-276-6519	000540	5315-66-028-1143
001954	5310-66-019-3563	CC2124	5315-00-422-7768	003026	5315-66-028-1787
003968	5310-66-019-3563	CC2535	5315-00-532-5486	003150	5315-66-034-3697
002519	5310-66-019-3564	000057	5315-00-573-5213	005685	5315-66-046-6041
000620	5310-66-019-3566	CC1618	5315-00-734-7864	005687	5315-66-051-7108
004761	5310-66-019-3566	CC1936	5315-00-842-3044	002779	5315-66-092-5540
003941	5310-66-019-3567	CC1767	5315-00-854-1223	005686	5315-66-097-0339
003246	5310-66-019-4112	CC1760	5315-00-936-7097	005689	5315-66-097-0339
001732	5310-66-019-4113	000314	5315-66-010-7452	003343	5315-99-836-4729
001749	5310-66-019-4122	CC0974	5315-66-010-7453	003422	5315-99-836-4729
002783	5310-66-019-4122	CC1953	5315-66-010-7453	004565	5320-00-018-9512
001903	5310-66-019-4124	000118	5315-66-010-9085	002414	5320-66-010-8411
002225	5310-66-019-4125	CC0128	5315-66-010-9086	000184	5320-66-017-5456
005220	5310-66-021-5585	000315	5315-66-010-9552	004526	5320-66-017-5853
004715	5310-66-022-5327	CC2040	5315-66-011-2489	004543	5320-66-017-5853
005190	5310-66-023-0041	CC2046	5315-66-011-2924	004558	5320-66-017-5853
005083	5310-66-024-9516	000150	5315-66-011-4317	004528	5320-66-017-5874
001318	5310-66-026-2311	000223	5315-66-011-5220	004548	5320-66-017-5874
002090	5310-66-026-2318	002446	5315-66-012-4462	004563	5320-66-017-5874
004942	5310-66-026-2720	CC5221	5315-66-013-2929	004546	5320-66-028-0467
004948	5310-66-026-2720	CC4708	5315-66-017-0070	004527	5320-66-028-0471
005078	5310-66-026-2720	005732	5315-66-017-0070	004544	5320-66-028-0471
002157	5310-66-026-2800	CC0541	5315-66-017-3881	004551	5320-66-028-0471
002299	5310-66-026-2809	CC0558	5315-66-017-3892	004560	5320-66-028-0471
004691	5310-66-026-2566	CC0926	5315-66-017-4067	004534	5320-66-028-0472
005180	5310-66-027-8115	CC0927	5315-66-017-4068	004536	5320-66-028-0472
002088	5310-66-028-0425	004711	5315-66-017-5137	004562	5320-66-028-0472
003252	5310-66-028-0435	CC5733	5315-66-017-5137	005089	5320-66-028-0522
005472	5310-66-028-0477	001662	5315-66-017-5171	004504	5320-66-028-3022
005345	5310-66-028-0523	CC2864	5315-66-017-5178	004506	5320-66-028-3022
005320	5310-66-028-0601	CC4700	5315-66-017-5896	004570	5320-66-028-3022
003042	5310-66-028-1142	CC4714	5315-66-017-5905	004572	5320-66-028-3022
003041	5310-66-028-1144	CC2370	5315-66-017-5909	004511	5320-66-028-3023
001462	5310-66-028-1790	CC0565	5315-66-017-5909	004412	5325-00-276-6205
001574	5310-66-028-1790	CC5314	5315-66-017-5920	004473	5325-00-543-3064
005655	5310-66-028-3026	CC1964	5315-66-017-5926	004398	5325-66-010-6009
003167	5310-66-034-3947	CC3025	5315-66-017-5926	000682	5325-66-010-8407
001504	5310-66-034-3952	CC3029	5315-66-017-5926	003538	5325-66-011-2921
001557	5310-66-034-3952	CC5085	5315-66-017-5926	003546	5325-66-011-2921
001514	5310-66-034-3954	CC0969	5315-66-017-5927	004385	5325-66-011-2921
001515	5310-66-034-3955	CC0985	5315-66-017-5927	004836	5325-66-011-2921
003785	5310-66-034-5726	CC5646	5315-66-017-5927	003526	5325-66-011-3955
003812	5310-66-034-5726	CC5625	5315-66-017-5930	004276	5325-66-013-4310
001348	5310-66-036-4874	CC1750	5315-66-017-5936	004407	5325-66-013-4310
004752	5310-66-036-6442	CC0326	5315-66-017-5937	004400	5325-66-018-2083
004748	5310-66-037-1835	002828	5315-66-017-5937	005292	5325-66-019-1675
005357	5310-66-037-1960	003339	5315-66-017-5937	004391	5325-66-019-3550
005297	5310-66-038-0885	003418	5315-66-017-5937	005624	5325-66-022-7009
003909	5310-66-039-2039	004619	5315-66-017-5937	004842	5325-66-026-2986
000354	5310-66-045-4403	CC1607	5315-66-017-5938	004843	5325-66-026-2987
004134	5310-66-047-2565	CC4709	5315-66-018-3410	004396	5325-66-027-8389
004913	5310-66-051-7436	005628	5315-66-018-6100	004397	5325-66-027-8390
001401	5310-66-051-7566	CC2452	5315-66-018-6102	004395	5325-66-090-7666
001402	5310-66-051-7567	002527	5315-66-018-6102	005518	5325-99-895-1661
000462	5310-66-058-4556	CC2527	5315-66-018-7185	000086	5330-00-146-2736

SERIAL No	DSN
000067	5330-00-214-35E3
002373	5330-00-219-9516
000084	5330-00-282-81C2
002261	5330-00-282-81C2
002160	5330-00-290-9373
000082	5330-00-292-3575
000149	5330-00-292-3979
000076	5330-00-298-5525
000722	5330-00-298-5925
003789	5330-00-292-5621
000454	5330-00-360-8045
000322	5330-00-374-93E5
000025	5330-00-374-94C0
000077	5330-00-374-94C3
000022	5330-00-374-94C4
000018	5330-00-374-94C5
000825	5330-00-374-94C1
001701	5330-00-370-121C
002389	5330-00-383-4655
000765	5330-00-399-6970
000804	5330-00-399-6970
001692	5330-00-447-34C6
000748	5330-00-447-537C
000788	5330-00-447-537C
002948	5330-00-531-3197
003262	5330-00-559-27E7
000017	5330-00-594-0658
002122	5330-00-604-33E8
000066	5330-00-629-9979
000192	5330-00-632-4117
000085	5330-00-700-68E8
000088	5330-00-720-0490
000327	5330-00-720-049C
002129	5330-00-733-4595
003906	5330-00-734-8856
003265	5330-00-752-7751
002827	5330-00-752-86C5
000259	5330-00-788-87E2
000071	5330-00-834-2912
001698	5330-00-843-3E85
001765	5330-00-846-23E8
002398	5330-00-847-8547
004818	5330-00-848-1976
001677	5330-01-043-4195
000081	5330-66-010-5952
000151	5330-66-010-5952
000688	5330-66-010-60C5
002390	5330-66-010-60E3
000182	5330-66-010-6114
000087	5330-66-010-6234
002262	5330-66-010-665C
002260	5330-66-010-6661
002245	5330-66-010-90E7
002247	5330-66-011-1597
002466	5330-66-011-2956
002468	5330-66-011-2958
002451	5330-66-011-2959
000353	5330-66-011-29E5
000351	5330-66-011-29E6
004816	5330-66-011-4137
004819	5330-66-011-4137
004826	5330-66-011-4137
002086	5330-66-013-6045
000450	5330-66-015-3E41
001812	5330-66-017-3756

SERIAL No	DSN
CC1830	5330-66-017-3798
CC1848	5330-66-017-3799
CC0048	5330-66-017-3962
000418	5330-66-017-4798
000075	5330-66-018-2048
CC1704	5330-66-018-2053
CC2344	5330-66-018-3392
CC4011	5330-66-018-3497
CC5353	5330-66-018-3640
CC1232	5330-66-018-5419
CC1235	5330-66-018-5422
CC4176	5330-66-018-5644
004178	5330-66-018-5654
CC0054	5330-66-018-5964
000074	5330-66-018-7923
CC0083	5330-66-018-7962
CC1850	5330-66-018-8158
CC5317	5330-66-018-8161
CC1831	5330-66-018-8167
CC1811	5330-66-018-8168
CC0080	5330-66-018-8194
CC1852	5330-66-018-8196
CC0553	5330-66-018-8790
CC1678	5330-66-019-0537
CC4018	5330-66-019-1504
CC0358	5330-66-019-1608
CC0348	5330-66-019-1608
CC0253	5330-66-019-1638
CC5475	5330-66-019-1669
CC4101	5330-66-019-1678
CC4126	5330-66-019-1678
CC4142	5330-66-019-1678
CC50C4	5330-66-019-1761
CC5022	5330-66-019-1762
CC0390	5330-66-019-1809
CC03294	5330-66-019-1810
CC02662	5330-66-019-3500
CC2621	5330-66-019-3527
CC1699	5330-66-019-4283
CC1443	5330-66-023-1916
CC4828	5330-66-026-2304
CC02091	5330-66-026-2320
CC5688	5330-66-026-2537
CC3264	5330-66-027-8616
CC2042	5330-66-027-9315
CC0499	5330-66-045-2672
CC00060	5330-66-045-4370
CC5623	5330-66-065-3220
CC05368	5330-66-067-5798
CC04821	5330-66-095-0798
CC00467	5330-66-101-0881
CC03885	5330-66-104-6707
CC3423	5330-66-104-6707
CC0502	5330-66-109-3403
CC2332	5330-66-117-2177
CC3477	5330-99-836-6848
CC02027	5340-00-054-1404
CC1683	5340-00-054-1422
CC2918	5340-00-200-4885
CC0577	5340-00-230-9591
CC0627	5340-00-282-7542
CC02836	5340-00-282-7542
CC3582	5340-00-282-7542
CC3711	5340-00-282-7542
CC4804	5340-00-344-2761

SERIAL No	DSN
000421	5340-00-353-4964
001689	5340-00-383-9595
001613	5340-00-383-9674
000639	5340-00-447-5751
003848	5340-00-517-5258
004404	5340-00-634-6857
001611	5340-00-700-1521
002975	5340-00-738-7552
002749	5340-00-843-4702
000417	5340-00-843-4715
000028	5340-00-847-9726
003031	5340-00-977-0840
005362	5340-66-010-6068
005515	5340-66-010-6068
001036	5340-66-010-7758
000218	5340-66-010-9172
002031	5340-66-011-2637
003338	5340-66-011-2887
003417	5340-66-011-2887
003381	5340-66-011-2938
000686	5340-66-011-3960
004868	5340-66-011-3960
004004	5340-66-013-7452
004470	5340-66-017-2246
004870	5340-66-018-2080
003937	5340-66-018-2130
005350	5340-66-018-3422
001229	5340-66-018-5425
000627	5340-66-018-5707
003296	5340-66-018-5987
005409	5340-66-018-6174
005181	5340-66-018-7944
005182	5340-66-018-7945
001034	5340-66-018-7960
004547	5340-66-018-8177
004732	5340-66-018-8177
001771	5340-66-018-8527
001647	5340-66-018-8928
001632	5340-66-018-8929
001756	5340-66-018-8930
001652	5340-66-018-8953
001654	5340-66-018-8954
001653	5340-66-018-8955
002047	5340-66-019-0578
001990	5340-66-019-0E34
005459	5340-66-019-0859
003458	5340-66-019-1560
003468	5340-66-019-1562
002664	5340-66-019-1895
005243	5340-66-019-3E38
000023	5340-66-019-5778
000209	5340-66-019-5778
005171	5340-66-023-2088
000992	5340-66-023-7638
002005	5340-66-024-6848
000890	5340-66-024-9291
005006	5340-66-025-2163
005030	5340-66-025-2164
004931	5340-66-025-2290
004935	5340-66-025-2292
000987	5340-66-025-5082
003644	5340-66-025-5307
005248	5340-66-025-8834
005476	5340-66-026-2715
004953	5340-66-026-2719

SERIAL No	DSN
005307	5340-66-026-2721
005316	5340-66-026-2722
005315	5340-66-026-2723
004928	5340-66-027-23E7
004830	5340-66-027-2527
000585	5340-66-027-8326
001247	5340-66-028-0325
003100	5340-66-028-0448
003180	5340-66-028-0448
005290	5340-66-028-0535
005731	5340-66-028-06C7
003030	5340-66-028-0754
005477	5340-66-032-23E7
000626	5340-66-036-6C25
004838	5340-66-036-6135
001962	5340-66-036-6446
004383	5340-66-036-6447
004071	5340-66-037-17E1
004661	5340-66-037-19E3
005485	5340-66-037-19E7
005650	5340-66-037-19E8
005651	5340-66-037-19E9
002538	5340-66-037-43E1
005065	5340-66-037-7513
005070	5340-66-037-7514
005443	5340-66-051-7520
005691	5340-66-054-1633
002522	5340-66-058-45E3
004999	5340-66-058-5872
005000	5340-66-058-5873
004841	5340-66-060-4411
005478	5340-66-063-9573
001005	5340-66-090-69E2
001938	5340-66-090-69E2
002762	5340-66-090-69E2
002709	5340-66-093-17C9
003376	5340-99-881-49E1
003466	5340-99-881-49E1
003365	5340-99-881-8126
003447	5340-99-881-8126
002463	5340-99-910-9215
001741	5355-00-152-8353
001949	5355-00-152-8353
001954	5355-00-152-8353
005084	5355-66-010-5736
002613	5355-66-019-18C6
003151	5355-66-034-407C
004223	5355-66-054-4774
002983	5360-00-079-1940
002926	5360-00-24E-7C12
001723	5360-00-249-354C
000221	5360-00-383-31E6
002473	5360-00-573-3334
003046	5360-00-629-25EC
001769	5360-00-741-9646
003260	5360-00-80E-7652
002123	5360-00-852-0840
002128	5360-00-977-07EC
002051	5360-66-010-659C
001046	5360-66-010-7751
000283	5360-66-011-2114
002029	5360-66-011-2488
000357	5360-66-011-25E4
000931	5360-66-017-2237
000523	5360-66-017-25E3

SERIAL No.	DSN
CC0562	5360-66-017-3890
CC0581	5360-66-017-3901
CC0628	5360-66-018-2086
CC0956	5360-66-018-3289
CC5647	5360-66-018-6101
CC4668	5360-66-018-6121
CC0196	5360-66-018-8784
CC1440	5360-66-018-8891
CC1477	5360-66-019-1515
CC0459	5360-66-019-1584
CC3432	5360-66-019-1611
CC2489	5360-66-019-1813
CC3303	5360-66-019-1820
CC0463	5360-66-019-1865
CC2622	5360-66-019-3525
CC1986	5360-66-024-4059
CC04932	5360-66-025-2291
CC0981	5360-66-026-2309
CC0293	5360-66-026-2319
CC1210	5360-66-027-8727
CC1211	5360-66-027-8728
CC1363	5360-66-032-8022
CC3176	5360-66-034-3949
CC1502	5360-66-034-3950
CC1400	5360-66-051-7445
CC02384	5365-00-219-9397
CC0072	5365-00-278-4990
CC1657	5365-00-282-6357
CC0126	5365-00-291-3659
CC0287	5365-00-358-3253
CC0016	5365-00-374-9418
CC1659	5365-00-378-1206
CC1682	5365-00-378-1208
CC23E6	5365-00-378-7253
CC2383	5365-00-383-4754
CC2927	5365-00-384-8659
CC4626	5365-00-442-5845
CC3796	5365-00-517-5262
CC3797	5365-00-518-6512
CC3795	5365-00-526-2120
CC2379	5365-00-529-8442
CC2380	5365-00-529-8443
CC2382	5365-00-529-8445
CC2385	5365-00-529-8457
CC0849	5365-00-593-2824
CC0856	5365-00-593-2824
CC3107	5365-00-696-0316
CC3101	5365-00-832-7697
CC2929	5365-00-931-6779
CC1228	5365-12-131-5177
CC1212	5365-12-136-1032
CC1828	5365-66-010-6072
CC1819	5365-66-010-6073
CC1842	5365-66-010-6074
CC1826	5365-66-010-6967
CC1841	5365-66-010-6968
CC0078	5365-66-010-8593
CC0191	5365-66-010-8593
CC2205	5365-66-010-8598
CC2204	5365-66-010-8599
CC0665	5365-66-011-0496
CC2264	5365-66-011-0675
CC18E0	5365-66-011-2133
CC3990	5365-66-011-2915
CC3991	5365-66-011-2915

SERIAL No.	DSN
001895	5365-66-011-5046
003986	5365-66-011-5837
000536	5365-66-017-2584
000545	5365-66-017-3884
000424	5365-66-017-4071
002028	5365-66-018-3287
001213	5365-66-018-3976
001227	5365-66-018-3979
001853	5365-66-018-5968
001799	5365-66-018-7926
002057	5365-66-018-8174
001521	5365-66-019-1532
002443	5365-66-019-1825
002474	5365-66-019-1828
000711	5365-66-025-0025
002206	5365-66-026-1724
000466	5365-66-026-1737
002083	5365-66-026-2321
002084	5365-66-026-2322
004701	5365-66-026-2544
004707	5365-66-026-2544
004933	5365-66-026-2716
005360	5365-66-027-2524
001216	5365-66-027-8384
003266	5365-66-027-8614
003239	5365-66-027-8615
001209	5365-66-027-8726
005082	5365-66-028-0248
003584	5365-66-036-6026
003666	5365-66-036-6028
004606	5365-66-036-6029
004102	5365-66-038-8309
005820	5365-66-041-4874
000897	5365-66-049-7769
005768	5365-66-051-7060
005767	5365-66-051-7061
001561	5365-66-054-8867
001628	5365-66-065-1819
001706	5365-66-065-1819
004694	5365-99-199-5021
003475	5365-99-822-7075
002487	5365-99-910-8205
002488	5365-99-910-8238
002450	5365-99-910-8337
001991	5365-99-942-6282
005204	5365-99-942-6283
001988	5365-99-943-6954
004624	5680-66-067-5972
001283	5910-66-017-3775
004109	5910-66-018-8173
001231	5910-66-026-2728
004147	5910-66-049-4410
001406	5910-66-092-6199
004435	5925-66-018-7821
004433	5925-66-045-2766
004432	5925-66-093-1516
003627	5930-00-894-7502
004211	5930-66-011-0887
004227	5930-66-011-0887
004231	5930-66-026-4417
004220	5930-66-033-5725
004175	5935-66-018-4181
004182	5935-66-018-5267
004179	5935-66-018-5275
004185	5935-66-018-5276

SERIAL No.	DSN	SERIAL No.	DSN	SERIAL No.	DSN
004403	5935-66-019-1746	CC4213	6240-66-010-7460		
004254	5935-99-803-1854	CC4C19	6240-66-010-8161		
004475	5535-99-803-1854	CC4067	6240-66-010-8161		
000206	5940-00-784-1658	CC4055	6240-66-014-8509		
004356	5940-66-011-3030	CC4C29	6240-66-022-3583		
004389	5940-66-011-3030	CC4073	6240-66-022-6561		
001469	5940-66-011-3545	CC4067	6240-66-026-0478		
004405	5940-66-018-2015	CC4234	6240-66-030-7433		
004416	5940-66-032-3464	CC4243	6240-66-030-7433		
001397	5940-66-052-5434	CC4263	6240-66-051-7199		
004148	5940-66-064-5863	CC4262	6250-66-106-0367		
004151	5940-66-096-4373	CC4438	6350-66-010-8623		
004353	5945-66-030-7422	CC4260	6620-66-025-0189		
001350	5961-66-032-8023	CC0723	6620-66-048-0266		
001353	5961-66-032-8024	CC4239	6620-66-090-7848		
001408	5961-66-052-5433	CC4240	6625-66-097-1005		
004183	5970-66-086-5367	004272	6680-66-011-2265		
001277	5975-00-012-0055	CC4273	6680-66-011-2638		
001441	5977-66-010-7654	CC4274	6680-66-011-2919		
001202	5977-66-018-5429	CC4275	6680-66-011-5221		
001361	5977-66-036-0401	CC1837	6680-66-017-3777		
001581	5977-66-047-2863	CC0063	6680-66-017-3955		
001398	5977-66-052-5422	CC0064	6680-66-017-3956		
001560	5977-66-092-5474	CC4820	6680-66-025-1934		
001359	5977-66-092-6158	CC4824	6680-66-026-2303		
001555	5977-66-096-4375	004823	6680-66-029-7727		
003838	5999-00-215-4048	CC4236	6680-66-041-4727		
003840	5999-00-374-0826	CC4271	6680-66-093-1580		
001352	5999-66-036-0400	004255	6685-66-025-0190		
001275	5999-66-055-2071	CC4261	6685-66-037-7555		
004415	6140-66-018-3254	CC4237	6685-66-067-5139		
004418	6140-66-024-9346	CC4238	6685-66-067-5139		
001274	6145-66-056-8026	CC4235	6685-66-067-5140		
004184	6145-66-097-1418	CC5023	9320-66-011-5749		
004402	6150-66-010-5909	CC5165	9320-66-018-8165		
004445	6150-66-010-5550	CC5138	9320-66-018-8838		
004386	6150-66-018-3521	CC4069	9320-66-019-1685		
004212	6210-66-011-0776	CC4946	9320-66-019-1748		
004232	6210-66-024-0710	CC5262	9320-66-019-3639		
004345	6220-00-873-2852	CC5263	9320-66-019-3982		
004021	6220-12-121-7310	CC5087	9320-66-023-8428		
004072	6220-66-010-6457	005076	9320-66-024-9793		
004002	6220-66-013-5540	CC5186	9320-66-028-4663		
004005	6220-66-013-7114	CC5462	9320-66-030-2335		
004059	6220-66-017-2240	CC5474	9320-66-030-2335		
004058	6220-66-018-0227	CC5066	9320-66-037-7515		
004023	6220-66-018-2066	CC5088	9340-66-037-7533		
003998	6220-66-018-2071	CC2251	9505-66-011-9348		
004068	6220-66-018-2056	CC3655	9905-00-740-9721		
004064	6220-66-018-8169	CC3655	9905-00-774-4284		
004003	6220-66-019-1500	CC4075	9905-66-010-5168		
004009	6220-66-019-1501	CC4757	9905-66-030-4911		
004012	6220-66-019-1502	CC4233	9905-66-030-7434		
004017	6220-66-019-1503	CC5658	9905-66-031-0237		
004024	6220-66-019-1505	CC2628	9905-66-031-0571		
004020	6220-66-019-1536	CC5519	9905-66-031-0572		
004025	6220-66-022-6546	CC5520	9905-66-031-3601		
004016	6220-66-026-3719	CC5521	9905-66-031-3602		
004054	6220-66-033-7950	CC4219	9905-66-031-3609		
004343	6220-66-033-8904	CC1705	9905-66-031-8498		
004057	6220-66-036-9115	CC4218	9905-66-034-9420		
004015	6220-99-803-3187	004228	9905-66-056-1567		
CC4008	6220-99-910-9185	CC4229	9905-66-056-1569		
004242	6240-00-013-1282	CC4207	9905-66-056-1992		
004070	6240-00-155-7900				

RESTRICTED

CHAPTER 1

SECTION 3

GROUP INDEX

RESTRICTED

RESTRICTED

REPAIR PARTS SCALE

RPS 02031

GROUP INDEX

GROUP	DESIGNATION	PAGE
AA	ENGINE ASSEMBLY	1
AAA	CRANK CASE AND RELATED PARTS	2
AAB	CRANK SHAFT, CAMSHAFT, PISTONS	8
AAC	CYLINDER HEAD AND RELATED PARTS	11
AAD	CRANK CASE VENTILATOR	14
AAE	OIL PRESSURE RELIEF VALVE AND OIL COOLER ADAPTOR	15
AAF	OIL PUMP	16
AAG	OIL FILTER	17
AAH	ENGINE MOUNTINGS	18
AAI	AIR CLEANER	19
AAJ	FUEL PUMP; EARLY MODEL	20
AAK	FUEL PUMP - CURRENT MODE	22
AAL	CARBURETTOR	23
AAM	CARBURETTOR CONTROLS	27
AAN	COOLING SYSTEM	29
AAO	WATER PUMP, THERMOSTAT, WATER OUTLET, FAN	31
AAP	INTAKE AND EXHAUST MANIFOLDS EARLY TYPE	33
AAQ	INTAKE AND EXHAUST MANIFOLDS LATER TYPE	35
AAR	FLANGE TYPE SINGLE EXHAUST SYSTEM AND GUARD	36
AAS	DUAL EXHAUST SYSTEM	38

RESTRICTED

RESTRICTED

REPAIR PARTS SCALE

RPS 02031

GROUP INDEX

GROUP	DESIGNATION	PAGE
BA	CLATCH	40
BB	CLATCH CONTROLS	42
BBA	CLUTCH MASTER CYLINDER	45
BBB	CLATCH SLAVE CYLINDER	46
CA	DISTRIBUTOR CURRENT TYPE	47
CAA	SPARK PLUGS, CABLES AND IGNITION COIL	50
DA	ALTERNATOR MOUNTING AND DRIVE	51
DAA	ALTERNATOR AND VOLTAGE REGULATOR	53
DAB	ALTERNATOR	55
DB	STARTER MOTOR TYPE M45	57
DBA	STARTER MOTOR AXIAL COMMUTATOR TYPE M40	59
DBB	STARTER MOTOR (FACE COMMUTATOR TYPE)	61
EA	GEAR-BOX ASSEMBLY	64
EAA	GEAR-BOX SHIFT CONTROLS	70
EB	TRANSFER CASE ASSEMBLY	73
EBA	TRANSFER CASE MOUNTINGS	73
EBB	TRANSFER CASE CONTROLS	80
EBC	POWER TAKE OFF CONTROL ASSEMBLY	82
EBD	TRANSFER CASE SHIFT RODS	84
EBE	TRANSFER CASE AIF CYLINDER	86

RESTRICTED

RESTRICTED

REPAIR PARTS SCALE

RPS 02031

GROUP INDEX

GROUP	DESIGNATION	PAGE
EBF	TRANSFER CASE AIR VALVE	87
EBG	PROPELLER SHAFTS	88
EC	FRONT AXLE ASSEMBLY	89
ECA	REAR AXLE ASSEMBLY	93
ECB	BRAKE DRUM, WHEEL HUB AND BEARINGS	94
ECC	FRONT AND REAR DIFFERENTIAL CARRIERS	96
ED	WINCH ASSEMBLY	99
EDA	WINCH MOUNTINGS, ROPE AND DRIVE SHAFT	102
EDB	WINCH AIR LINES, PLUNGER TYPE VALVE	104
EDC	WINCH AIR VALVE PLUNGER TYPE	106
EDD	WINCH ACTUATING CYLINDER	107
EDE	WINCH AIR VALVE, ROTARY TYPE	109
EDF	WINCH AIR LINES - ROTARY TYPE VALVE	110
FA	HAND BRAKE CONTROL	111
FB	AIR COMPRESSOR MOUNTINGS	114
FBA	AIR COMPRESSOR	116
FBB	GOVERNOR TYPE D2	121
FC	BRAKE TREADLE VALVE AND MOUNTING BRACKET	123
FD	HAND CONTROL VALVE EARLY TYPE	125
FDA	HAND CONTROL VALVE LATE TYPE	127
FE	TRACTOR PROTECTION VALVE	129

RESTRICTED

REPAIR PARTS SCALE

RPS 02031

GROUP INDEX

GROUP	DESIGNATION	PAGE
FF	ACTUATOR AIR HYDRAULIC	130
FFA	MASTER CYLINDER	132
FGA	BRAKES FRONT AXLE	133
FGB	BRAKES REAR AXLE	136
FHA	BRAKE LINES AND FITTINGS - FRONT	140
FHB	BRAKE LINES AND FITTINGS - REAR	146
FHC	BRAKE LINES AND FITTINGS - SIDE VIEW	150
GAA	STEERING GEAR	154
GAB	STEERING COLUMN AND WHEEL	157
AGC	STEERING COLUMN BRACE AND TOE PANEL SEAL	159
GAD	DRAG LINK	160
GB	FRONT AND REAR SPRINGS	161
GC	SHOCK ABSORBERS	163
HA	FRONT LIGHTS	164
HAA	SIDE CLEARANCE AND REAR LIGHTS	166
HB	WINDSCREEN WIPERS UNMODIFIED (SQUARE TYPE MOTOR)	168
HBA	WINDSCREEN WIPERS - MODIFIED (ROUND MOTOR TYPE)	169
HC	INTER VEHICLE STARTING CABLE AND CONNECTIONS	170
HDA	INSTRUMENTS, SWITCHES, DIPSWITCHES, AND MAP LIGHT	171
HDB	SPEEDOMETER	175
HE	TURN SIGNAL CONTROLS	176

RESTRICTED

REPAIR PARTS SCALE

RPS 02031

GROUP INDEX

GROUP	DESIGNATION	PAGE
HFA	MAIN ELECTRICAL WIRING	177
HFB	REAR END ELECTRICAL WIRING	181
IA	FRAME	182
IAA	BRUSH GUARD AND BUMPER BARS	186
IAB	SPARE WHEEL CARRIER	188
IAC	TOWING HOOK	190
IAD	WINCH CABLE ROLLERS AND FAIR LEADS	192
IB	FUEL PUMP-VACUUM PIPES AND FUEL TANKS AND PIPING	195
JA	CAB MOUNTING	
JB	HOOD AND FENDER	200
JC	CAB FRONT END	203
JD	WIND SHIELD ASSEMBLY	207
JE	REAR WINDOW	209
JF	DOOR ASSEMBLY LEFT AND RIGHT HAND	210
JG	ENGINE COVER	213
JH	SUN VISOR INSTRUMENT PANEL AND AIR VENTILATOR	215
JI	HATCH COVER AND REAR VISION MIRRORS	217
JJ	PASSENGER AND DRIVERS SEAT	219
JI	CAB MISCELLANEOUS	221
JL	CAB PANELS	226
KA	CARGO BODY SIDE VIEW	228

RESTRICTED

RESTRICTED

REPAIR PARTS SCALE

RPS 02031

GROUP INDEX

GROUP	DESIGNATION	PAGE
KAA	CARGO BODY SEATS	232
KB	CARGO BODY END VIEW	234
KC	CARGO FLOOR ASSEMBLY	236
KCA	CARGO BODY TO CHASSIS MOUNTINGS	238
LA	ARMOUR PROTECTION KIT	239

RESTRICTED

RESTRICTED

CHAPTER 1

SECTION 4

MFR CODE TO NAME INDEX

RESTRICTED

REPAIR PARTS SCALE

RPS 02031

MFR CODE TO NAME INDEX

CODE	MFR NAME
D8015	BOSCH ROBERT GMBH RFZ GERMANY
D8095	WESTFAELISCHE METALL INDUSTRIE MUECK UND CO GERMANY
D8220	OSRAM GMBH HELLA BRUNNER STRASSE MEUNCHEN
D9134	VOLKSWAGENWERK AG POSTFACH GERMANY
K0036	BRITISH TIMKEN DIV BEARING TIMKEN ENGLAND
K0049	LUCAS ELECTRICAL CO. LTD. ENGLAND
K0160	LISTER RA AND CO LTD. ENGLAND
K0183	MINISTRY OF DEFENCE ARMY HEADQUARTERS LONDON ENGLAND
K0655	LUCAS AEROSPACE LTD. ELECTRICAL DIV. LONDON. ENGLAND
K0745	ANDERTON INTERNATIONAL LTD. ENGLAND
K1631	W/HOUSE BRAKE AND SIGNAL CO. LTD. AND MINING DIV. BRISTOL ENGLAND
K1793	HELLERMANN ELECTRIC PENY GROSS W/SUSSEX ENGLAND
K2813	MORRIS JOHN ELECTRICAL ENGINEER CO. LTD. W/MIDLANDS ENGLAND
K4284	BL COMPONENTS LTD SERVICE DIV. OXFORD ENGLAND
k4285	TEREX LTD SCOTLAND
K5436	PERKINS ENGINES CO. ENGLAND
K5495	CRYSLEER/UK LTD. ENGLAND
K6325	DRICLAD LTD ENGLAND
K7436	BENDIX W/HOUSE LTD. ENGLAND
K7766	BRITISH STANDARD INSTITUTE LONDON ENGLAND
U0026	GIRLING LTD. ENGLAND
U0040	CAV LTD. ACTION LONDON ENGLAND
U0061	LEYLAND VEHICLE LTD. ENGLAND
U0192	SONY UK LTD. ENGLAND
U0351	IMI SANTON LTD. SW WALEs ENGLAND
U0724	VAUXHAUL MOTORS LTD. ENGLAND
U0759	SCAMEL MOTORS BRITISH LEYLAND UK LTD. ENGLAND
U0912	GKN PISTON LTD. ENGLAND
U1030	BL CARS LTD. ENGLAND

RESTRICTED

REPAIR PARTS SCALE

RPS 02031

MFR CODE TO NAME INDEX

CODE	MFR NAME
73460	EATON CORP. TRANSMISSION DIV M1.
75377	KURZ-KASCH INC. OH.
77605	REPUBLIC GEAR CO. M1.
77640	TRW INC. TRW ROSS GEAR DIV IN.
78640	TOW MOTOR CORP. OH.
79470	WEATHERHEAD CO. OH.
80204	US NATIONAL STANDARD INSTITUTE NEWYORK NY.
80906	WHITE CONSOLIDATED INDUSTRIES INC. BLOW-KNOX CONSTRUCTION EQUIPMENT DIV II.
81118	EATON CORP. WORD HEADQUARTERS OH.
81240	WHITE FARM EQUIPMENT CO. MN.
81343	SOCIETY OF AUTOMATIVE ENGINEERS PA NY.
81580	McCULLOCH CORP. CA.
82423	SCM CORP LKEINSCHMIT DIV IL.
84768	HARVEY SID INC. NY.
88044	AERONAUTICAL STANDARDS GROUP DEPT OF NAVY AID AIR FORCE
88273	HEATH CO. SUB OF ZENITH RADIO CORP. M1.
89346	INTERNATIONAL HARVESTER CO. TRUCK BRANCH OH.
90407	M-R-S MFG CO. MS.
90753	CARR CO. THE UNITED-CARR DIV OF TRW INC. IL.
92392	ALLIS-CHALMERS CORP. AGRIGULTURAL TRACTOR DIV WI.
92672	CHEVROLET MOTOR DIV OF GENERAL MOTOR CORP. WI.
92679	INTERNATIONAL HARVESTER CO. PAYLINE DIV IL.
95019	DANA CORP. SPICER TRANSMISSION DIV OH.
96906	MILITARY STANDARD PROMULGATED BY MILITARY DEPT. OF DEFENCE STANDARDIZATION.
97907	TEREX CORP. OH.

RESTRICTED

RESTRICTED

REPAIR PARTS SCALE

RPS 02031

MFR CODE TO NAME INDEX

CODE	MFR NAME
29930	INTERNATIONAL HARVESTER CO. AGRICULTURAL EQUIPMENT DIV IL.
30076	HYSTER CO. AVE.
31007	INTERNATIONAL HARVESTER CO. IL.
33705	KINGHAM TRAILER CO. KY.
35311	WABCO CONSTRUCTION AND MINING EQUIPMENT NE.
35761	WHITE CONSOLIDATED INDUSTRIES INC. KELVINATOR DIV M1.
38443	TRW INC. TRW BEARINGS DIV NY.
41947	MUELLER BRASS CO. M1.
43334	GENERAL MOTORS CORP. NEW DEPARTURE-HYATT BEARING DIV OH.
43991	FAG BEARING CORP. CT.
50513	DIAMOND REO TRUCK INC. ME.
51600	PIPE-ROLLWAY CORP BEARING DIV NY.
52676	SKF INDUSTRIES INC. PA.
53762	SEAGRAVE CORP. NY.
56442	DIAMOND REO PARTS AND MFG. CO. M1.
58275	CAROLON CO. NC.
59875	TRW POWER ACCESSORIES OH.
60038	TIMKEN ROLLER BEARING CO. OH.
61208	TWIN DISC INC. W1/
63477	WAWNER ELECTRIC COPR. MO.
63800	WAWNER AND SWASEY CO. OH.
65282	WHITE MOTOR CORP. M1.
70040	AC SPARK PLUG DIV OF GENERAL MOTOR CORP. M1.
71000	BORG-WARNER CORP, BORG AND BECK DIV IL.
72582	DETROIT DIESEL, ALLISON DIV OF GENERAL MOTORS CORP. M1.
72853	EDELHANN E AND CO. IL.
72992	HOLMES ERNEST CO. TH.
73325	HYSTER CO. IL.

RESTRICTED

RESTRICTED

REPAIR PARTS SCALE

RPS 02031

MFR CODE TO NAME INDEX

CODE	MFR NAME
Z2822	GIRLOCK LTD. NSW.
Z2848	SAMPLE INDUSTRIES PTY. LTD. GEE-JAY MOTORS PROD. DIV VIC.
Z2877	DEP. OF DEFENCE, ELECTRICAL AND MECHANICAL ENGINEERING VIC.
Z2966	HULL D.M. AND CO. PTY. LTD. VIC.
Z3375	INDUSTRIAL TIMERS AND CONTROLS VIC.
Z3823	REPCO BEARING CO. TAS.
04741	WHITE MOTOR CORP AUTO CAR TRUCK DIV EXTON PA.
04773	GTE AUTOMATIC ELECTRIC INC. IL.
05643	BARBER-GREEN CO. IL.
06840	BENDIX CORP. THE BENDIX CENTRE M1.
06848	BENDIX ENERGY CONTROL DIV DR IN.
06853	BENDIX CORP. HEAVY VEH. SYSTEM GROUP OH.
06863	SIMMONDS PRECISION PRODUCTS INC. IL.
08162	FEDERAL-MOGUL CORP. BALL & ROLLER BEARING M1.
09367	ALLIS-CHALMERS CORP. ENGINE DIV IL.
10988	CASE J1 CO. W1.
11083	CATERPILLAR TRACTOR CO. IL.
12204	CHRYSLER CORP. 1K.
12603	CLARK EQUIPMENT CO. CIRCLE DR M1.
15434	CUMMINS ENGINES CO. DEFENCE PRODUCTS IN.
17600	DIAMOND REO PARTS & MANUFACTURE CO. M1.
18265	DONALDSON CO. MN.
19207	US ARMY TANK-AUTOMOTIVE MATERIAL REDINESS COMED TARCUM WARREN M1.
21450	ARMY WEAPONS COMMD AETN AMSWE-R.E-S ROCK-ISLAND IL.
23040	FORD MOTOR CO. PARTS & SERVICE DIV GOVERNMENT SALES M1.
23862	GENERAL MOTOR CORP TRUCK AND COACH DIV M1.
24076	SARGEN INDUSTRIES INC. GARRWOOD DIV OH.
24617	GENERAL MOTORS CORP. DETROIT M1.
29510	INTERNATIONAL HARVESTER CO. PAYLINE IL.

RESTRICTED

RESTRICTED

REPAIR PARTS SCALE

RPS 02031

MFR CODE TO NAME INDEX

CODE	MFR NAME
Z0327	GENERAL ELECTRIC KIRBY APPLIANCES LTD. NSW.
Z0342	GOOD YEAR TYRE AND RUBBER CO. AUST. LTD. NSW.
Z0403	LYSAUGT JOHN AUST. LTD. NSW.
Z0464	CABLE MAKERS AUST. PTY. LTD. NSW.
Z0544	STANDARD ASSOCIATION OF AUST. NSW.
Z0549	SPURWAYS INDUSTRIES PTY. LTD. NSW.
Z0570	SKF AUST. SALES PTY. LTD. VIC.
Z0580	REPCO ENGINE PARTS VIC.
Z0635	AJAX PRESSING A DIV OF AJAX FASTENER AUST. LTD. VIC.
Z0639	FLAVELL A PTY. LTD. VIC.
Z0645	HELLA AUST. PTY LTD. VIC.
Z0646	ODONNELL W. VIC.
Z0666	BOSCH ROBERT AUST. PTY. LTD. VIC.
Z0745	HENDERSONS FEDERAL SPRING WORKS PTY. LTD. VIC.
Z0757	W/HOUSE BRAKE AND SIGNAL CO. AUST. PTY. LTD. NSW.
Z0772	CHAMBERLAIN JOHN DEER PTY. LTD. WA.
Z0867	TRICO PTY. LTD. VIC.
Z0880	HYMAN H AND CO. PTY. LTD. VIC.
Z0992	AUST. TIRKEN PTY. LTD. VIC.
Z1018	GOSS GASKET MANUFACTURING CO. PTY. LTD. VIC.
Z1133	REPCO ACCESSORIES NSW.
Z1132	LEYLAND MOTOR CORP OF AUST. LTD. VIC.
Z1249	CONQUEROR CABLES LTD. NSW.
Z1268	CHEELX S WALS VIC.
Z1273	A/ASIAN TRAINING AIDS PTY. LTD. NSW.
Z1315	VDO INSTRUMENTS AUST. PTY. LTD. VIC.
Z1998	TURNER PRODUCTS PTY. LTD. NSW.
Z2793	EMAIL LTD. NSW.
Z2813	DEP. OF DEFENCE (ARMY OFFICE) VIC.

RESTRICTED

RESTRICTED

REPAIR PARTS SCALE

RPS 02031

MFR CODE TO NAME INDEX

CODE	MFR NAME
U1088	AC DELCO DIV OF GENERAL MOTOR LTD. ENGLAND
U1269	MINISTRY OF DEFENCE (ARMY) LONDON ENGLAND
U1725	MINISTRY OF DEFENCE AIR FORCE DEP. LONDON ENGLAND
Z0009	INTERNATIONAL HARVESTER CO. OF AUST. LTD. VIC.
Z0020	DEPARTMENT OF DEFENCE VIC.
Z0024	REPCO LORIMER VIC.
Z0025	HARDY SPICER AUST. CO. VIC.
Z0027	LUCAS INDUSTRIES AUST. LTD. VIC.
Z0028	DCE VOKES PTY. LTD. NSW.
Z0030	FLESSEY AUST. PTY. NSW.
Z0048	RVB LTD. VIC.
Z0049	RCA LTD. NSW.
Z0060	McCULMANN AND JUDD PTY. LTD. VIC.
Z0066	WYLIE WH & CO. PTY. LTD. SA.
Z0083	DEP OF DEFENCE ENGINE RING DEVELOPMENT VIC.
Z0088	CARR FASTENER PTY. LTD. SA.
Z0105	SPURWAYS INDUSTRIES PTY. LTD. VIC.
Z0113	PHILLIPS INDUSTRIES HOLDING LTD. NTH SYDNEY NSW.
Z0125	STC-CANNON COMPONENTS PTY. LTD. VIC.
Z0132	CHRYSLER AUST. LTD. SA.
Z0141	GENERAL MOTORS-HOLDENS PTY. LTD. VIC.
Z0151	BENDIX CORP AUST. PTY. LTD. NSW.
Z0160	PATTONS BRAKE REPLACEMENTS VIC.
Z0200	TRICALMIT A/ADIA PTY. LTD. SA.
Z0218	OLDING GH AND SONS PTY. LTD. NSW.
Z0220	UTILUX PTY. LTD. NSW.
Z0273	MACKAY SILENTRUBA PRODUCTS PTY. LTD. VIC.
Z0275	GEC AIE AUST. PTY. LTD. NSW.
Z0291	SAMPLE GEC HANSON PTY. LTD. NSW.

RESTRICTED

RESTRICTED

CHAPTER 2

SECTION 1

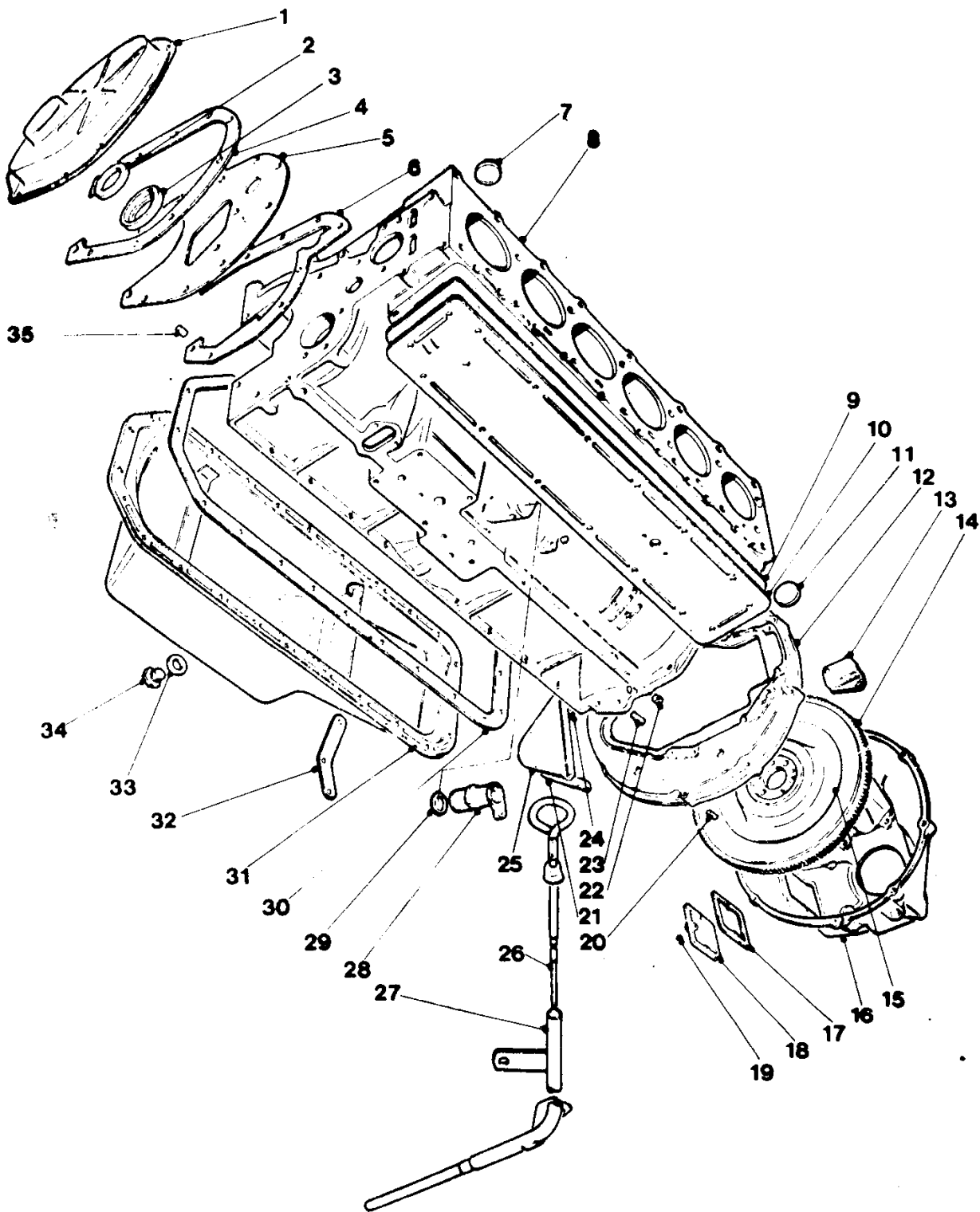
REPAIR PARTS SCALE TEXT

RESTRICTED

S E R I A L	N U M B E R	G R O U P & I T E M N o.	D E S I G N A T I O N	M A N U F A C T U R E R S		N O O F F	E X P L O S I V E	L E V E L	R E P A I R
				C O D E	P A R T N o.				
1	2	3	4	5		6	7	8	
000001	AA	ENGINE ASSEMBLY							
000002	000	ENGINE, GASOLINE, LESS FLYWHEEL BELL HOUSING (FITTED WITH ALTERNATOR, NOT CRATED)	Z0020	ADE(M) 120-32		1	N	F	
000003	000	ENGINE, GASOLINE, CRATED, LESS FLYWHEEL BELL HOUSING (FITTED WITH ALTERNATOR)	Z2813	ADEM120-32		1	N	F	
000004	000	SHIPPING AND STORAGE CONTAINER, ENGINE, INTERNATIONAL MODEL AGD 282 TV, AND AGD282 TV TWIN CARBURETTOR ENGINES	Z0020	ADEM120		1	N	F	

GROUP AAA

RPS02031



CRANKCASE AND RELATED PARTS.

SERIAL NUMBER	GROUP & ITEM No.	DESIGNATION	MANUFACTURERS		NO OF	EXP. CLASS	LEVEL OF REPAIR
			CODE	PART No.			
1	2	3	4	5	6	7	8
000011	AAA	CRANKCASE AND RELATED PARTS					
000012	001	COVER, TIMING GEAR, INTERNAL COMBUSTION ENGINE	31007	69765R11	1	X	FB
000013	000	SCREW, MACHINE, UNF, 2A, SAE GRADE 5 STEEL, HEX HD, ZINC COATED, 5/16 IN. BY 1/2 IN. LG	80204	B18-2	3	X	FB
000014	000	NUT, PLAIN, HEXAGON, UNF, 2B, STEEL, FORMED, ZINC COATED, 5/16 IN.	Z1272	034-079	3	X	FB
000015	000	SCREW, MACHINE, UNF, 2A, SAE GRADE 5 STEEL, HEX HD, ZINC COATED, 3/8 IN. BY 3/4 IN. LG	80204	B18-2	3	X	FB
000016	002	SPACER, RING, FELT, 2-3/8 IN ID, 3-1/8 IN OD BY 5/16 IN THK	31007	71762R1	1	X	FB
000017	003	RETAINER, OIL SEAL, STEEL, 3.063 IN. DIA BY 0.464 IN. DEEP SEAL SEAT, 3.516 IN. DIA BY 2.438 IN. ID BY 0.500 IN. H O/A DIM.	31007	71764R1	1	X	FB
000018	004	GASKET CORK, 11.563 IN W, 0.063 IN THK, 10 BOLT HOLES	31007	69 764 R1	1	X	FB
000019	005	PLATE, TIMING GEAR COVER	31007	69744R1	1	X	B
000020	000	SCREW, MACHINE, UNC, 2A, SAE GRADE 5 STEEL, HEX HD, ZINC COATED, 3/8 IN BY 3/4 IN LG	80204	B18-2	2	X	B
000021	000	WASHER, LOCK, SPRING, STEEL, SINGLE TURN, RECTANGULAR SECTION, CAD PLATED, 3/8 IN. BOLT SIZE	K7766	1802	2	X	B
000022	006	GASKET 9.125 IN W BY 0.031 IN THK, 9 BOLT HOLES	31007	69 762 R2	1	X	B
000023	007	PLUG, EXPANSION, STEEL, CAD PLATED, CUP TYPE, 1-5/8 IN OD BY 0.062 IN THK MATERIAL BY 3/8 IN H OF FLANGE	Z0009	887259R1	1	X	FB
000024	008	CRANKCASE ASSEMBLY					
000025	009	GASKET LIFT ROD COVER	31007	69 735 R1	1	X	UPB
000026	010	COVER, VALVE LIFT ROD	Z0009	850884R21	1	X	B
000027	000	SCREW, MACHINE, UNC, 2A, R STEEL, RAISED CHEESE ED, SLOTTED, ZINC COATED, 1/4 IN BY 1/2 IN	Z0544	B149	16	X	UPB
000028	011	PLUG, EXPANSION, STEEL, 2.013 IN. NOM OD, 0.062 IN. NOM MAT THK, 0.375 IN. NOM H	31007	70129R1	2	X	FB
000029	012	ADAPTOR HOUSING	Z0009	858852R3	1	N	B

SERIAL NUMBER	GROUP & ITEM No.	DESIGNATION	MANUFACTURERS		NO OF	EXPL CLASS	LEVEL OF REPAIR
			CODE	PART No.			
1	2	3	4	5	6	7	8
000030	000	BOLT, MACHINE, UNC, 2A, SAE GRADE 5 STEEL, HEX HD, ZINC COATED, 7/16IN BY 1-3/8IN LG	80204	B18-2	4	X	FB
000031	000	WASHER, LOCK, SPRING STEEL, SINGLE TURN, RECTANGULAR SECTION, CAD PLATED, 7/16 IN BOLT SIZE	K7766	1802	4	X	FB
000032	000	BOLT, MACHINE, UNC, 2A, SAE GRADE 8 STEEL, HEX HD, CAD PLATED, 7/16IN BY 11/4IN LG	31007	208491R1	2	X	FB
000033	000	WASHER, LOCK STEEL, SHAKEPROOF, CAD PLATED, EXTERNAL TYPE 11, 7/16IN BOLT SIZE	Z0088	1122	2	X	FB
000034	013	COVER, TIMING, INDICATOR	31007	80593B1	1	X	UFB
000035	000	SCREW, MACHINE, UNC, 2A, R STEEL, RAISED CHEESE ED, SLOTTED, ZINC COATED, 1/4IN BY 1/2IN	ZQ544	B149	1	X	UFB
000036	000	WASHER, FLAT, RD, STEEL, ZINC COATED, SMALL, 1/4 IN., 9/16 IN. OD BY 0.056 IN. THK	Z0544	B117	1	X	UFB
000037	000	WASHER, LOCK, SPRING STEEL, SINGLE TURN, RECTANGULAR SECTION, CAD PLATED, 1/4IN BOLT SIZE	K7766	1802	1	X	UFB
000038	014	GEAR SPUR, FLYWHEEL	Z0009	853545R1	1	X	FB
000039	015	FLYWHEEL ASSEMBLY, W/FING GEAR 12IN CLUTCH BAI	Z0009	853546R41	1	N	FB
000040	000	INDICATOR TIMING					
000041	000	BOLT, SELF-LOCKING, UNF, 3A, STEEL, HEX HD, EHCSPHATED, 7/16IN BY 1-1/4IN LG, HD DISTORTION LOCKING FEATURE	31007	70 426 R1	6	X	FB
000042	016	COVER, FLYWHEEL HOUSING	31007	155254R11	1	N	B
000043	000	BOLT, MACHINE, UNC-2A, STEEL, HEX HD, 1/2IN BY 1-1/2IN LG, CRANKCASE	31007	65 449 R1	2	X	FB
000044	000	WASHER, LOCK, STEEL, SPRING, SINGLE TURN, RECTANGULAR SECTION, CAD PLATED, 1/2 IN. BOLT SIZE	K7766	1802	5	X	FB
000045	000	BOLT, MACHINE, UNC, 2A, SAE GRADE 8 STEEL, HEX HD, CAD CR ZINC PLATED, 1/2IN BY 2-1/2IN LG	69345	168 392 R1	2	X	FB
000046	000	BOLT, MACHINE, UNC, 2A, SAE GRADE 5 STEEL, HEX HD, ZINC COATED, 1/4IN BY 1-1/2IN LG	80204	B18-2	4	X	FB

SERIAL NUMBER	GROUP & ITEM No.	DESIGNATION	MANUFACTURERS		NO. OF	EXP. CLASS	LEVEL	OF REPAIR
			CODE	PART No.				
1	2	3	4	5	6	7	8	
000047	000	WASHER, LOCK, SPRING STEEL, SINGLE TURN, RECTANGULAR SECTION, CAD PLATED, 1/4 IN BOLT SIZE	K7766	1802	4	X	FB	
000048	017	GASKET, CLUTCH DRAIN BLATE	Z0020	ADEV225-706	1	X	UPB	
000049	018	PLATE, DRAIN, CLUTCH	Z0020	ADE(V) 225-667	1	X	UPB	
000050	000	SCREW, MACHINE, UNC, 2A, R STEEL, RAISED CHEESE HD, SLOTTED, ZINC COATED, 1/4 IN BY 3/4 IN	Z0544	B149	2	X	UPB	
000051	000	WASHER, LOCK, SPRING STEEL, SINGLE TURN, RECTANGULAR SECTION, CAD PLATED, 1/4 IN BOLT SIZE	K7766	1802	2	X	UPB	
000052	019	PLUG, PIPE, MI, SOLID HD, 1/8 IN. NPTF EXT	Z0009	857213R1	1	X	UPB	
000053	020	DOWEL, SLEEVE, ADAPTOR TO FLYWHEEL HOUSING	31007	133452R1	2	X	PB	
000054	021	GASKET, COVER PLATE TC ADAPTER	Z0020	ADEV225-668	1	X	PB	
000055	022	PLUG, PIPE, STEEL, SQ SOCKET HD, SOLID BODY, CAD OF ZINC PLATED, 3/8 IN NPTF	31007	444782	2	X	B	
000056	023	PIN, STRAIGHT, HEADLESS STEEL, CHAMFERED ENDS, 0.438 IN MIN DIA BY 0.439 IN MAX DIA BY 1 IN LG	31007	1769Y	2	X	PB	
000057	000	PIN, STRAIGHT, HEADLESS STEEL, CHAMFERED ENDS, 0.468 IN MIN, 0.469 IN MAX DIA, (0.030 IN O/S)	31007	54808H	2	X	PB	

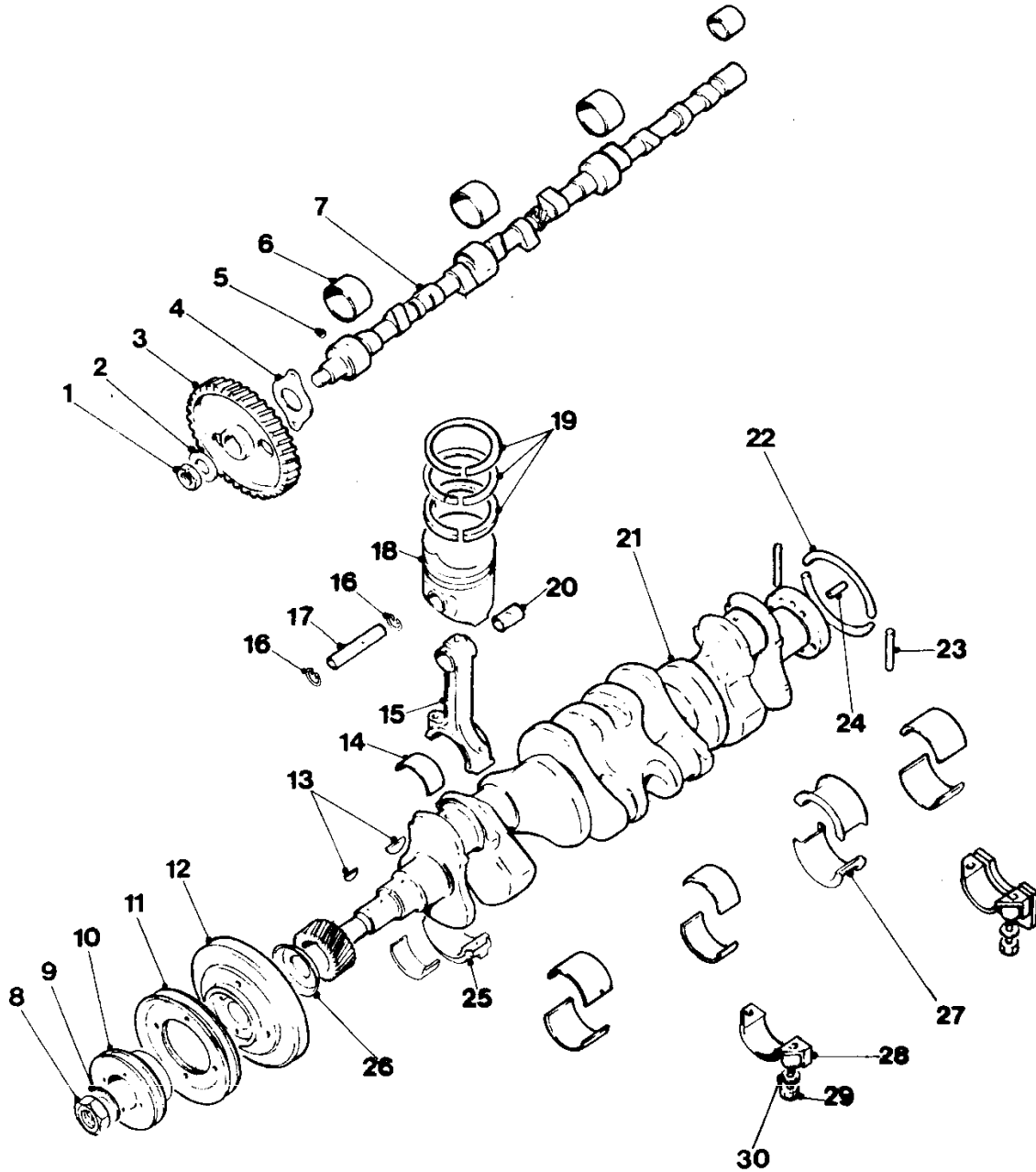
FOOTNOTE: PAGE 5 INTENTIONALLY NOT INCLUDED IN THIS RPS

SERIAL	NUMBER	GROUP & ITEM No.	DESIGNATION	MANUFACTURERS		NO OFF	EXP CLASS	LEVEL	OF	REPAIR
				CODE	PART No.					
1	2	3	4	5	6	7	8			
	AAA									
C00058	024	PLUG, PIPE, MI, SCLID HD, 1/8 IN. NPTF EXT	Z0009	857213R1	2	X				PB
C00059	025	PLATE, COVER ASSEMBLY	Z0020	ADEV225-670/1	1	X				B
C00060	000	RUBBER STRIP SOLID 10 68IN MIN 10 720IN MAX LG 0 172IN MIN 0 203IN MAX W 0 172IN MIN 0 203IN MAX THK	Z0020	ADEV225-	1	X				PB
000061	000	SCREW, MACHINE, UNC, 2A, SAE GRADE 5 STEEL, HEX HD, ZINC COATED, 1/4 IN. BY 1/2 IN. LG	80204	B182	4	X				UPB
000062	000	WASHER, LOCK, SPRING STEEL, SINGLE TURN, RECTANGULAR SECTION, CAD PLATED, 1/4IN BOLT SIZE	K7766	1802	4	X				UPB
C00063	026	GAUGE ROD, LIQUID LEVEL, OIL LEVEL	Z0020	ADEV225-398	1	X				UPB
000064	027	TUBE ASSEMBLY, OIL GAUGE	Z0009	858605R11	1	X				PB
000065	028	ADAPTER, MOUNTING, DISTRIBUTOR	Z0009	855045-R2	1	X				B
000066	029	GASKET, CORK, DISTRIBUTOR BRACKET TO CRANKCASE	31007	70127R1	1	X				PB
000067	030	GASKET, CORK, 25 HOLES 0.688IN DIA, 0.062IN THK MAT'L	31007	69 614 R1	1	X				PB
C00068	031	OIL PAN	31007	178051R21	1	X				PB
000069	000	SCREW, MACHINE, UNC, 2A, SAE GRADE 5 STEEL, HEX HD, ZINC COATED, 5/162N BY 1/2IN LG	80204	B18-2	25	X				UPB
C00070	032	BAR, REINFORCEMENT, OIL PAN, REAR	31007	114869R1	1	X				PB
C00071	033	GASKET, COPPER AND ASBESTOS, 7/8 IN. ID, 1-1/8 IN. OD, 0.094 IN. THK	31007	3 405 H	1	X				UPB
000072	034	PLUG, MACHINE THREAD, MAGNETIC STEEL, NS-2, HEXHD, W/THD RELIEF, CAD PLATED, 0.560IN. MAGNET PROJECTION, 7/8IN.18 BY 0.410IN.LG BODY	78640	A1311	1	X				UPB
C00073	035	PLUG, PIPE, BSP, MALLEABLE IRON, SQ HD, 1/4 IN.	U1030	3290	1	X				B
C00074	000	GASKET AND PREFORMED PACKING SET, CYLINDER HEAD (CONSISTS OF SERIALS 75 TO 79)	Z0009	853590R93	1	X				PB
C00075	000	GASKET, CYLINDER HEAD	Z0009	858338R1	1	X				PB
000076	000	GASKET, PAPER, ENGINE WATER OUTLET	31007	69 742 R1	1	X				UPB

SERIAL	NUMBER	GROUP & ITEM No.	DESIGNATION	MANUFACTURERS		NO OF	EXP CLASS	LEVEL	OF REPAIR
				CODE	PART No.				
1	2	3	4	5	6	7	8		
000077	000	GASKET, MANIFOLD TO ENGINE	31007	69 752 R1	1	X	UPB		
000078	000	BUSHING, RUBBER SYNTHETIC, 0.313IN. ID, 0.531IN. OD BODY, 0.875IN. OD FLANGE, 0.344IN. O/A H	31007	164420R1	3	X	UPB		
000079	000	SEAL, OIL, INTAKE VALVE STEM	Z0009	857817R1	6	X	FB		
000080	000	GASKET AND PREFORMED PACKING SET CRANKCASE OVERHAUL (CONSISTS OF SERIALS 16, 18, 22, 67, 81 TO 88)	Z0009	853 589 R94	1	X	FB		
000081	000	PACKING MATERIAL, 6 STRAND, CANDLEWICK	30076	50116	2	X	F		
000082	000	PACKING MATERIAL, ASBESTOS, GRAPHITE LUBRICATED, C.250 IN. W BY 0.375 IN. THK	31007	70181R1	2	X	F		
000083	000	GASKET, PUMP TO CRANKCASE	Z0009	858336R1	1	X	F		
000084	000	GASKET, CORK, 1-3/64IN ID BY 1-29/64IN OD BY 5/32IN THK	31007	39 783 H	1	X	F		
000085	000	GASKET, FUEL PUMP TO CRANKCASE	31007	128868H	1	X	UF		
000086	000	GASKET, RELIEF VALVE	31007	35654HA	1	X	F		
000087	000	GASKET, FILTER TO CRANKCASE	Z0009	855058R2	1	X	UF		
000088	000	PACKING, PREFORMED, RUBBER, 9/16 IN ID 3/4 IN OD BY 3/32 IN H O/A	31007	252221R1	1	X	F		

GROUP AAB

RPS02031

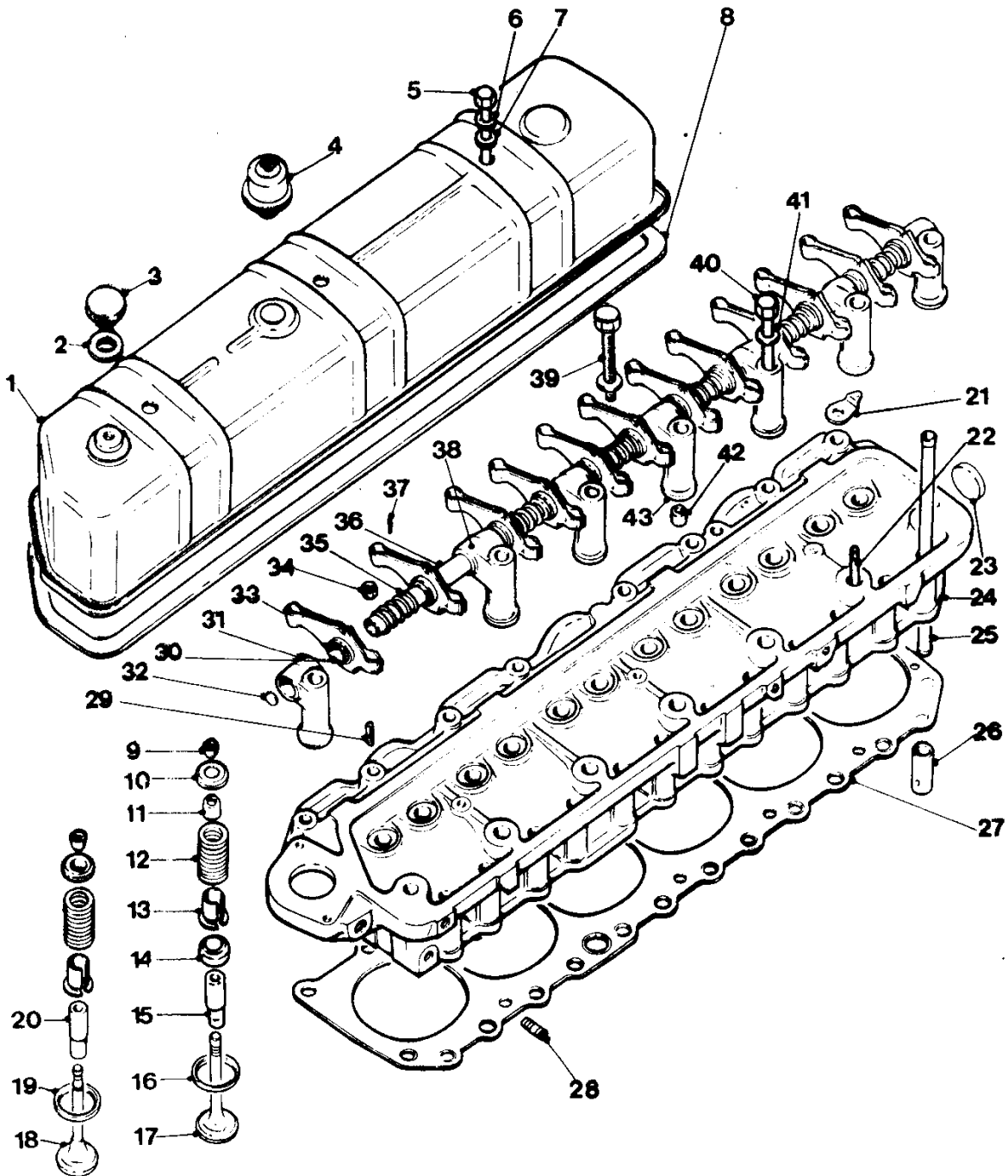


CRANKSHAFT, CAMSHAFT,

SERIAL NUMBER	GROUP & ITEM No.	DESIGNATION	MANUFACTURERS		NO OFF	EXPL CLASS	LEVEL	OF REPAIR
			CODE	PART No.				
1	2	3	4	5	6	7	8	
000112	AAB	CRANKSHAFT, CAMSHAFT, PISTONS						
000113	001	NUT, SELF-LOCKING, HEXAGON, UNEF, STEEL, 1.500IN W A/P, 0.375IN H O/A, 1IN. BOLT SIZE	31007	16026DA	1	X		B
000114	002	WASHER, KEY	92679	16025D	1	X		B
000115	003	GEAR SET, HELICAL, MATCHED	31007	69682R91	1	X		B
000116	000	BOLT, SELF-LOCKING, UNC, 2A, STEEL, HEX HD, PHOSPHATED, 3/8IN BY 3/4IN, HEAD DISTORTION LOCKING FEATURE	31007	70425R1	2	X		B
000117	004	FLANGE, RETAINING, CAMSHAFT	31007	35650-HA	1	X		B
000118	005	KEY, WOODRUFF STEEL, WHITNEY NO 91, 0.750IN BY 0.250IN THK	K7766	46PT1	1	X		B
000119	006	BEARING SET, CAMSHAFT	31007	130476R91	1	X		B
000120	007	CAMSHAFT, ENGINE	31007	69681R3	1	N		B
000121	008	NUT ASSEMBLY, CRANKSHAFT, C/W STARTING DOG	31007	35667H	1	X		B
000122	009	WASHER, FLAT, RD, STEEL, 1-1/64 IN. ID, 1-1/8 IN. OD	31007	70109R1	1	X		B
000123	010	PULLEY, GROOVE, COMPRESSOR DRIVE	20020	ADEV94-245	1	X		PB
000124	000	BOLT, MACHINE, UNC, 2A, SAE GRADE 5 STEEL, HEX HD, ZINC COATED, 5/16IN BY 2-3/4IN LG	8Q204	B18-2	1	X		PB
000125	000	WASHER, LOCK, SPRING, STEEL, SINGLE TURN, RECTANGULAR SECTION, CAD PLATED, 5/16 IN. BOLT SIZE	17600	DX252	4	X		PB
000126	011	PULLEY, GROOVE, CRANKSHAFT, MAIN DRIVE	20009	885960R1	1	X		PB
000127	012	DAMPER ASSEMBLY, CRANKSHAFT PULLEY	20020	ADE(V)94-246	1	X		PB
000128	013	KEY, WOODRUFF, STEEL, WHITNEY NO. 13, 1 IN. BY 3/16 IN. THK	24617	103462	2	X		PB
000129	014	BEARING KIT, CONNECTING ROD	31007	141 804 R94	1	X		B
000130	000	BEARING, SLEEVE, CONNECTING ROD, SET OF 6, 0.002 IN U/S	31007	141805R94	1	X		B
000131	000	BEARING, SLEEVE, CONNECTING ROD, SET OF 6, 0.010IN U/S	31007	155560-R94	1	X		B
000132	000	BEARING SET, CONNECTING ROD, 0.020IN.U/S	31007	141806R93	1	X		B
000133	000	BEARING, SLEEVE, CONNECTING ROD SET OF 6 0.030IN U/S	31007	141807R94	1	X		B

SERIAL	NUMBER	GROUP & ITEM No.	DESIGNATION	MANUFACTURERS		NO OFF	EXPL CLASS	LEVEL	OF	REPAIR
				CODE	PART No.					
1	2	3	4	5	6	7	8			
000134	000	BOLT, SELF-LOCKING, UNF, 3A, STEEL, HEX HD, 3/8IN BY 1 7/8IN LG, 5/8IN LG THREAD	92679	70013R1	12	X				B
000135	015	CONNECTING ROD, PISTON, W/CAPS	Z0009	70009-R22	6	X				B
000136	016	RING, RETAINING STEEL, INTERNAL, 0.865IN ID BY 1-1/64IN OD BY 0.075IN THK	31007	19517D	12	X				B
000137	017	PIN, PISTON, STEEL, CASEHARDENED, STD, 2.956 IN O/A LG, 0.87480 IN. OL, 0.531 IN. ID	Z0009	882291R1	6	X				B
000138	000	PIN, PISTON, STEEL, CASEHARDENED, 0.005 IN O/S, 2.956 IN. O/A LG, 0.8800 IN. OD, 0.531 IN. ID	Z0009	882292R1	6	X				B
000139	018	PISTON, INTERNAL COMBUSTION ENGINE, STD, W/PIN AND RETAINERS	Z0009	858312R42	6	X				B
000140	000	PISTON INTERNAL COMBUSTION ENGINE, 0.010IN O/S W/PIN AND RETAINER	Z0009	858314R21	6	X				B
000141	000	PISTON INTERNAL COMBUSTION ENGINE, 0.020IN O/S W/PIN AND RETAINER	Z0009	858315R42	6	X				B
000142	000	PISTON, INTERNAL COMBUSTION ENGINE, 0.030IN O/S, W/PIN AND RETAINER	Z0009	858316-R22	6	X				B
000143	000	CYLINDER SLEEVE	Z2709	3812A	6	X				B
000144	019	RING SET, PISTON, 0.020IN O/S, SET FOR CNE ENGINE	31007	853529-R91	1	X				B
000145	000	RING SET, PISTON, 0.010IN O/S	ZQ009	853528R92	1	X				B
000146	000	RING SET, PISTON, 0.030IN O/S, SET FOR CNE ENGINE	Z0009	853530R92	1	X				B
000147	020	BEARING, SLEEVE, BRONZE, 0.860IN MAX ID, 0.936IN MAX OD BY 1.260IN MAX O/A LG	31007	70012R1	6	X				B
000148	021	CRANKSHAFT AND BEARING SET, ENGINE	Z0009	884019R91	1	N				B
000149	022	PACKING MATERIAL, ASBESTOS, GRAPHITE LUBRICATED, 0.250 IN. W BY 0.375 IN. THK	31007	70181R1	2	X				B
000150	023	PIN, STRAIGHT, HEADLESS STEEL, CHAMFERED ENDS, 0.371IN DIA, 1.125IN LG	31007	82970R1	1	X				B
000151	024	PACKING MATERIAL, 6 STRAND, CANDLEWICK	30076	50116	2	X				B

S E R I A L	N U M B E R	G R O U P & I T E M N o.	D E S I G N A T I O N	M A N U F A C T U R E R S		N O O F F	E X P L O S I O N C L A S S	L E V E L	O F	R E P A I R
				C O D E	P A R T N o.					
1	2	3	4	5	6	7	8			
000152	025	CAP CON ROD								
000153	026	REFLECTOR, DIRT AND LIQUID, CRANKSHAFT	31007	71763R1	1	X			PB	
000154	027	BEARING SET, SLEEVE	92679	141986292	1	X			B	
000155	000	BEARING SET, CRANKSHAFT, 0.002IN.U/S	31007	141987-R92	1	X			B	
000156	000	BEARING SET, CRANKSHAFT, 0.010IN.U/S	31007	155555-R92	1	X			B	
000157	000	BEARING SET, CRANKSHAFT, 0.020IN.U/S	31007	141988R93	1	X			B	
000158	000	BEARING SET, CRANKSHAFT, 0.030IN.U/S	31007	141989-R92	1	X			B	
000159	000	BEARING SET, SLEEVE, 0.040 IN. U/S	Z0009	856232R91	1	X			B	
000160	000	BEARING SET, CRANKSHAFT, 0.060IN.U/S	31007	141990-R92	1	X			B	
000161	028	CAP MAIN BEARING								
000162	029	BOLT, SELF-LOCKING, UNF, 1/2 IN. BY 3-1/4 IN. LG	31007	70133R1	10	X			B	
000163	030	WASHER, FLAT STEEL, RE, 17/32IN ID BY 1IN OD BY 0.092IN THK	31007	58 516 H	10	X			B	



CYLINDER HEAD AND RELATED PARTS.

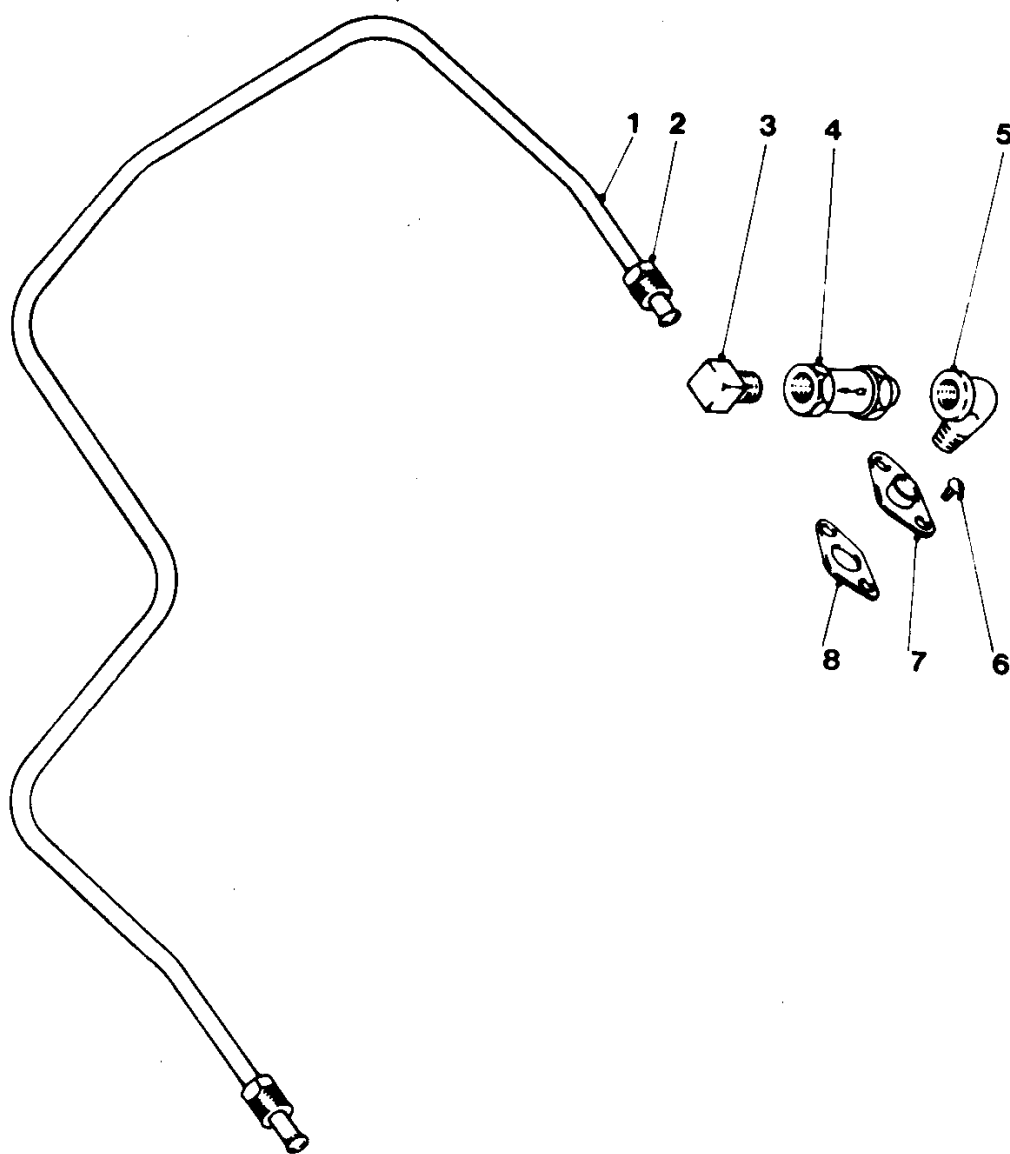
S E R I A L	N U M B E R	G R O U P & I T E M N o.	D E S I G N A T I O N	M A N U F A C T U R E R S		N O O F F	E X P L O S I V E	L E V E L	R E P A I R
				C O D E	P A R T N o.				
1	2	3	4	5	6	7	8		
000180	AAC	CYLINDER HEAD AND RELATED PARTS							
000181	001	COVER ASSEMBLY, CYLINDER HEAD	Z0009	855452R91		1	N	UPB	
000182	002	WASHER, NONMETALLIC, SYNTHETIC RUBBER, 1/719 IN CD 1.250 IN ID 0.094 IN THK	31007	87351R1		1	X	UPB	
000183	003	CAP, OIL FILLER	31007	3212445R1		1	X	UPB	
000184	000	RIVET TUBULAR BRASS 150 DEG CSK HD W/REVERSE CHAMFER 2/3 DRILLED SHANK 3/16IN DIA BY 3/8IN LG 3/8IN DIA HD (REFER EME1 VEH G557-35)	Z0549	1535		2	X	PB	
000185	000	CHAIN, WELDLESS, BRASS, NICKEL PLATED, FLAT LINK, LONG PITCH, CHANDELIER TYPE, APPROX 17 LINKS PER FT (REFER EME1 VEH G557-35)	Z0105	222		1	X	UPB	
000186	000	PIN (REFER EME1 VEH G557-35)							
000187	004	BREATHER, OIL, CYLINDER HEAD COVER	Z0009	855282-R91		1	X	UPB	
000188	000	KIT, ELEMENT BREATHER	Z0009	855477R11		1	X	UPB	
000189	005	BOLT, MACHINE, UNC, 2A, SAE GRADE 5, STEEL, HEX HD, W/HEADER POINT, 0.313IN BY 5.250IN LG, THD 1IN	31007	168144R1		3	X	UPB	
000190	006	WASHER, FLAT, RD, STEEL, PHOSPHATED, 5/16 IN. ID, 7/8 IN. OD, 0.060 IN. THK	31007	118665		3		UPB	
000191	007	BUSHING, RUBBER SYNTHETIC, 0.313IN. ID, 0.531IN. OD BODY, 0.875IN. OD FLANGE, 0.344IN. O/A H	31007	164420R1		3	X	UPB	
000192	008	GASKET CYLINDER HEAD COVER	31007	164 421 R1		1	X	UP	
000193	009	RETAINER, VALVE SPRING	31007	41339D		24	X	PB	
000194	010	SEAT, HELICAL COMPRESSION SPRING	92679	151167R3		12	X	PB	
000195	011	SEAL OIL INTAKE VALVE STEM REFER SERIAL 000079							
000196	012	SPRING, HELICAL, COMPRESSION, STEEL, 1.261IN FREE OD, 2.257IN FREE O/A LG, 0.177IN SIZE MATERIAL	Z0009	858128R1		12	X	PB	
000197	013	DAMPER, VALVE SPRING	31007	75941H		12	X	PB	
000198	014	ROTOR, ENGINE POPPET VALVE, ASSEMBLY	Z0009	858130R91		12	X	PB	
000199	015	GUIDE, ENGINE POPPET VALVE, INTAKE	Z0009	857820R2		5	X	PB	

SERIAL NUMBER	GROUP & ITEM No.	DESIGNATION	MANUFACTURERS		NO OFF	EXP CLASS	LEVEL OF REPAIR
			CODE	PART No.			
1	2	3	4	5	6	7	8
000200	016	SEAT, VALVE	31007	110823R1	6	X	PB
000201	017	VALVE, POPPET, ENGINE, INTAKE	Z0009	852110R4	5	X	PB
000202	018	VALVE, POPPET, ENGINE, EXHAUST, SODIUM FILLED	Z0009	858321R1	5	X	PB
000203	019	INSERT SEAT VALVE	31007	126231R1	6	X	PB
000204	000	SEAT VALVE	31007	83488R1	6	X	PB
000205	020	GUIDE, ENGINE POPPET VALVE, EXHAUST	Z0009	858322R3	6	X	PB
000206	021	TERMINAL, LUG	92679	81104R1	1	X	UPB
000207	022	STUD, PLAIN, UNF/UNC, 3 V STEEL, CAD PLATED, 1/2 IN. BY 6 IN., THD 1-5/8 IN. AND 13/16 IN.	Z0009	94381R1	2	X	B
000208	000	NUT, PLAIN, HEXAGON, UNF 2B, STEEL, FORMED, ZINC CCATED, 1/2 IN	80204	B18-2	2	X	B
000209	023	PLUG, EXPANSION, STEEL, CAD PLATED, CUP TYPE, 1-5/8 IN OD BY 0.062 IN THK MATERIAL BY 3/8 IN H OF FLANGE			1	X	PB
000210	024	CYLINDER HEAD ASSEMBLY, LESS VALVES	Z0009	858319R92	1	N	PB
000211	025	ROD, PUSH	Z0009	853523R11	12	X	PB
000212	026	TAPPET, ENGINE POPPET VALVE	31007	75524-R3	12	X	UPB
000213	027	GASKET CYLINDER HEAD (REFER SERIAL 075)					
000214	028	NIPPLE, WATER, WATER PUMP BY PASS	31007	169193R1	1	X	PB
000215	029	SETSCREW, UNF, 3A, STEEL, HEADLESS, OVAL POINT, 0.375 IN BY 1.469 IN. LG	31007	16067DA	12	X	UPB
000216	030	BUSHING, SLEEVE, BRONZE, 0.750 IN. ID, 0.812 IN. OD, 1.000 IN. LG	Z0009	854997-R1	12	X	PB
000217	031	BRACKET, ROCKER SHAFT, FRCNT AND REAR	31007	164422R1	2	X	PB
000218	032	PLUG, EXPANSION, STEEL, CAD PLATED, 3/4 IN. OD BY 0.062 IN. THK			2	X	B
000219	033	ROCKER ARM, ENGINE POPPET VALVE	31007	164432R91	12	X	PB
000220	034	NUT, PLAIN, HEXAGON, UNF 2B, STEEL, FORMED, ZINC CCATED, 3/8 IN	80204	B18-2	12	X	UPB

SERIAL	NUMBER	GROUP & ITEM No.	DESIGNATION	MANUFACTURERS		NO	OFF	EXP. CLASS	LEVEL	OF	REPAIR
				CODE	PART No.						
1	2	3	4	5	6	7	8				
000221	035	SPRING, HELICAL, COMPRESSION, STEEL, 25/32IN ID BY 0.941IN OD BY 1 3/16IN LG	92677	26414H	6	X	FB				
000222	036	SHAFT, ROCKER ARM	31007	76953R3	2	X	FB				
000223	037	PIN, SPRING, 5/16IN BY 1-1/4IN LG, 0.077IN THK MATERIAL	31007	17 244 R1	2	X	FB				
000224	038	BRACKET, ROCKER ARM SHAFT	31007	164423R1	3	X	FB				
000225	039	BOLT, MACHINE	31007	886831R1	3	X	FB				
000226	040	SCREW, CAP, HEXAGON HEAD	31007	367190R1	7	X	FB				
000227	041	WASHER, FLAT STEEL, RD, 17/32IN ID BY 1IN OD BY 0.092IN THK	31007	58 516 H	15	X	FB				
000228	042	BUSHING, SLEEVE	31007	69500R1	3	X	B				
000229	043	BRACKET, ROCKER ARM SHAFT	31007	164425R1	2	X	B				

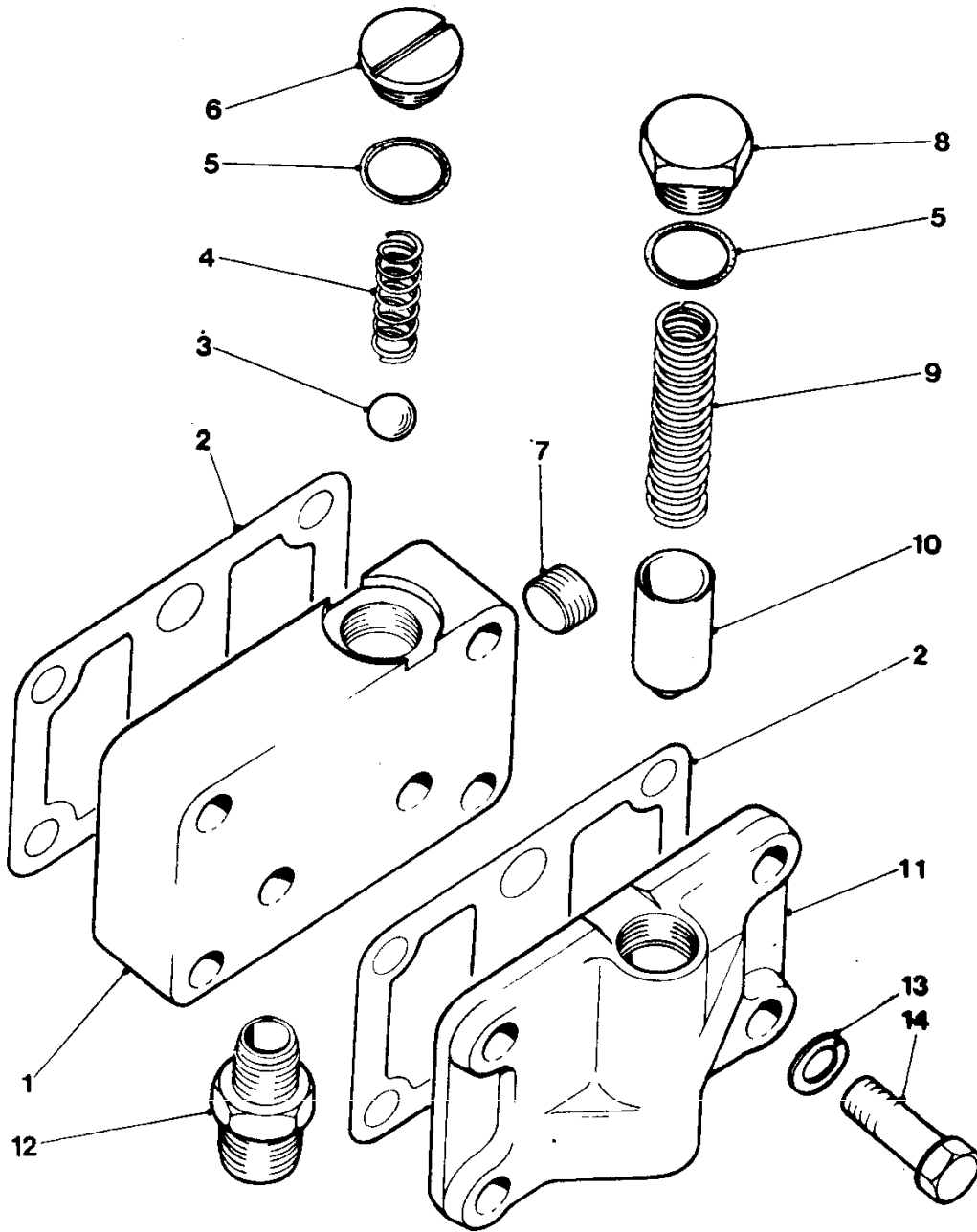
GROUP AAD

RPS02031



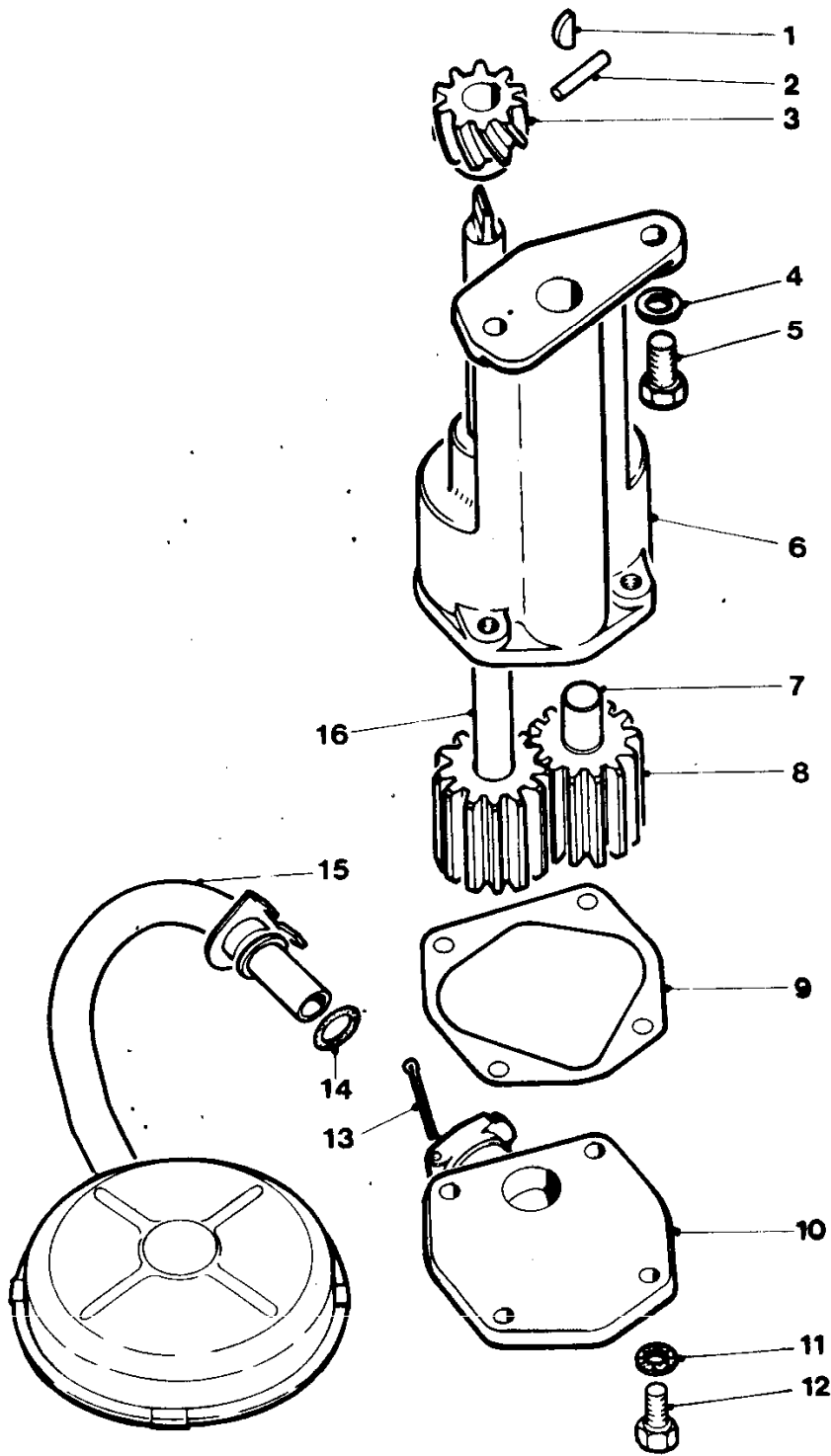
CRANKCASE VENTILATOR.

S E R I A L	N U M B E R	G R O U P & I T E M N o.	D E S I G N A T I O N	M A N U F A C T U R E R S		N O O F F	F X P L O S S E S	L E V E L	O F	R E P A I R
				C O D E	P A R T N o.					
1	2	3	4	5		6	7	8		
000250	AAD	CRANKCASE VENTILATOR								
000251	000	PIPE ASSY VENT 3/8IN C/D				1				
000252	001	TUBE, METALLIC, STEEL, MILD, WELDED DOUBLEWALL, COPPER COATED, 3/8 IN. OD, 0.028 IN. WALL THK	81343	J527		3	X			UPB
000253	002	INVERTED NUT, TUBE COUPLING, STEEL, U/W 3/8 IN. OD TUBE, 5/8 IN. UNF/EXT 45 DEG SEAT, ZINC	Z0009	137399		2	X			UPB
000254	003	ELBOW, PIPE TO TUBE, BRASS, 90 DEG, U/W 3/8IN OD TUBE, 1ST END 5/8IN UNF/P, 42 DEG SEAT, 2ND END 1/4IN NTF/H	79470	100-40006		1	X			UPB
000255	004	VALVE, CHECK	31007	137 600 HA		1	X			UPB
000256	005	ELBOW, PIPE, BRASS, 90DEG, BOTH ENDS 1/4IN-18 NPTE, FIRST END FEMALE 0.328IN LG, SECOND END MALE 0.875IN LG	24617	444 040		1	X			UPB
000257	006	SCREW, MACHINE, UNF, 2A, MILD STEEL, FIL HD, SLOT DRIVE, ANICE COATED, D 1/4 IN. BY 1/2 IN.	ZQ544	B149		2	X			UPB
000258	007	FLANGE				1				
000259	008	GASKET, CRANKCASE VENT PIPE	31007	B4772R1		1	X			UPB



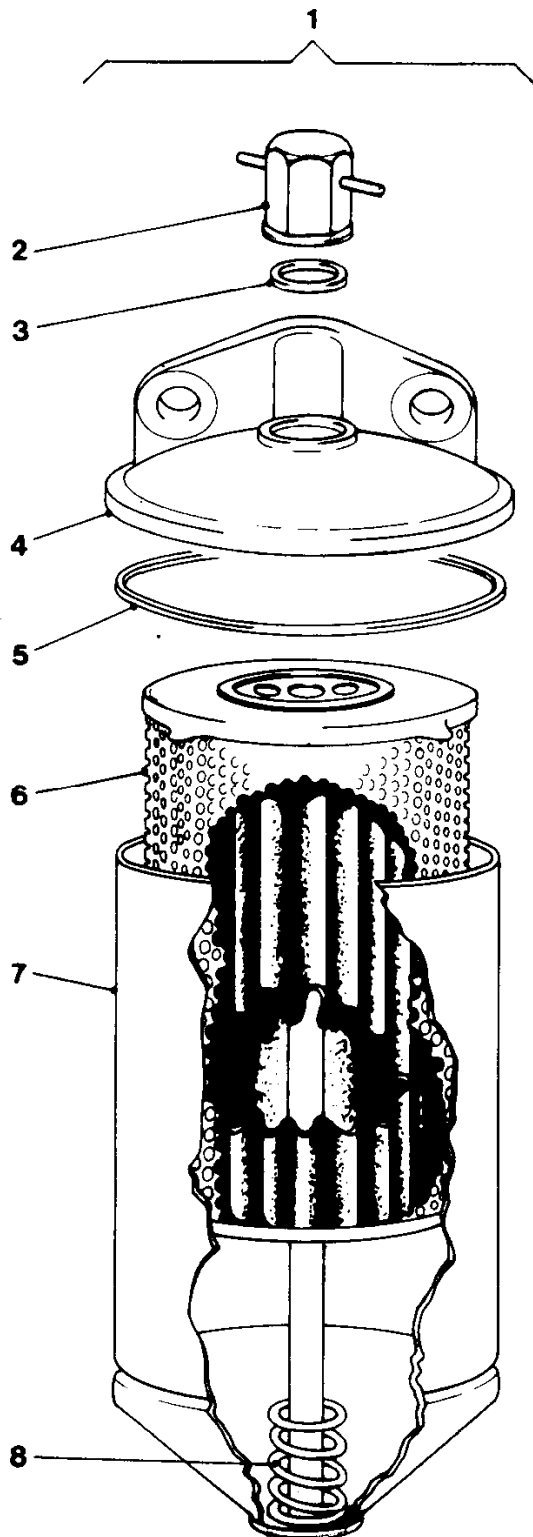
OIL PRESSURE RELIEF VALVE AND OIL COOLER ADAPTOR.

S E R I A L	N U M B E R	G R O U P & I T E M N o.	D E S I G N A T I O N	M A N U F A C T U R E R S		N O O F F	E X P C L A S S	L E V E L	O F	R E P A I R
				C O D E	P A R T N o.					
1	2	3	4	5	6	7	8			
000279	AAE	CIL PRESSURE RELIEF VALVE AND OIL COOLER ADAPTOR								
000280	001	ADAPTOR, OIL COOLER	Z0020	TSE(V) 93-458	1	X			B	
000281	002	GASKET (REFER SERIAL 86)			2					
000282	003	BALL, BEARING, HIGH CARBON CHROME ALLOY STEEL, 1/2IN.DIA, 0.001IN SPHERICITY	31007	17016-R1	1	X			PB	
000283	004	SPRING, HELICAL, COMPRESSION, STEEL, 0.032IN. SIZE MATERIAL, 1.750 IN. FREE LG, 0.500 IN. FREE OD, 0.436 IN, . ID	Z0020	TSEV93-456	1	X			PB	
000284	005	GASKET COPPER AND ASBESTOS (REFER SERIAL 071)			2					
000285	006	PLUG, SPRING RETAINING	Z0020	TSE(V) 93-457	1	X			PB	
000286	007	PLUG, PIPE, STEEL, SQ SOCKET HD, SOLID BODY, CAD OF ZINC PLATED, 3/8IN NPTF	31007	444782	1	X			PB	
000287	008	PLUG, MACHINE THREAD PRESSURE RELIEF VALVE, OIL FILLER	31007	61263VA	1	X			PB	
000288	009	SPRING HELICAL, COMPRESSION, STEEL, 0.4032IN ID BY 0.5312IN OD BY 3IN LG	31007	49946HA	1	X			PB	
000289	010	PLUNGER RELIEF VALVE, OIL PRESSURE	Z0020	TSE(V) 93-959	1	X			PB	
000290	011	VALVE, RELIEF, OIL PRESSURE COMPLETE	Z0020	TSE(V) 93-473	1	N			PB	
000291	012	CONNECTOR, OIL COOLER ADAPTOR	31007	192120	2	X			PB	
000292	013	WASHER, LOCK, SPRING STEEL, SINGLE TURN, RECTANGULAR SECTION, CAD PLATED, 7/16 IN BOLT SIZE	K7766	1802	1	X			PB	
000293	014	BOLT, MACHINE, UNC, 2A, SAE GRADE 5 STEEL, HEX HD, ZINC COATED, 7/16IN BY 2-1/2IN LG	80204	B18-2	1	X			PB	



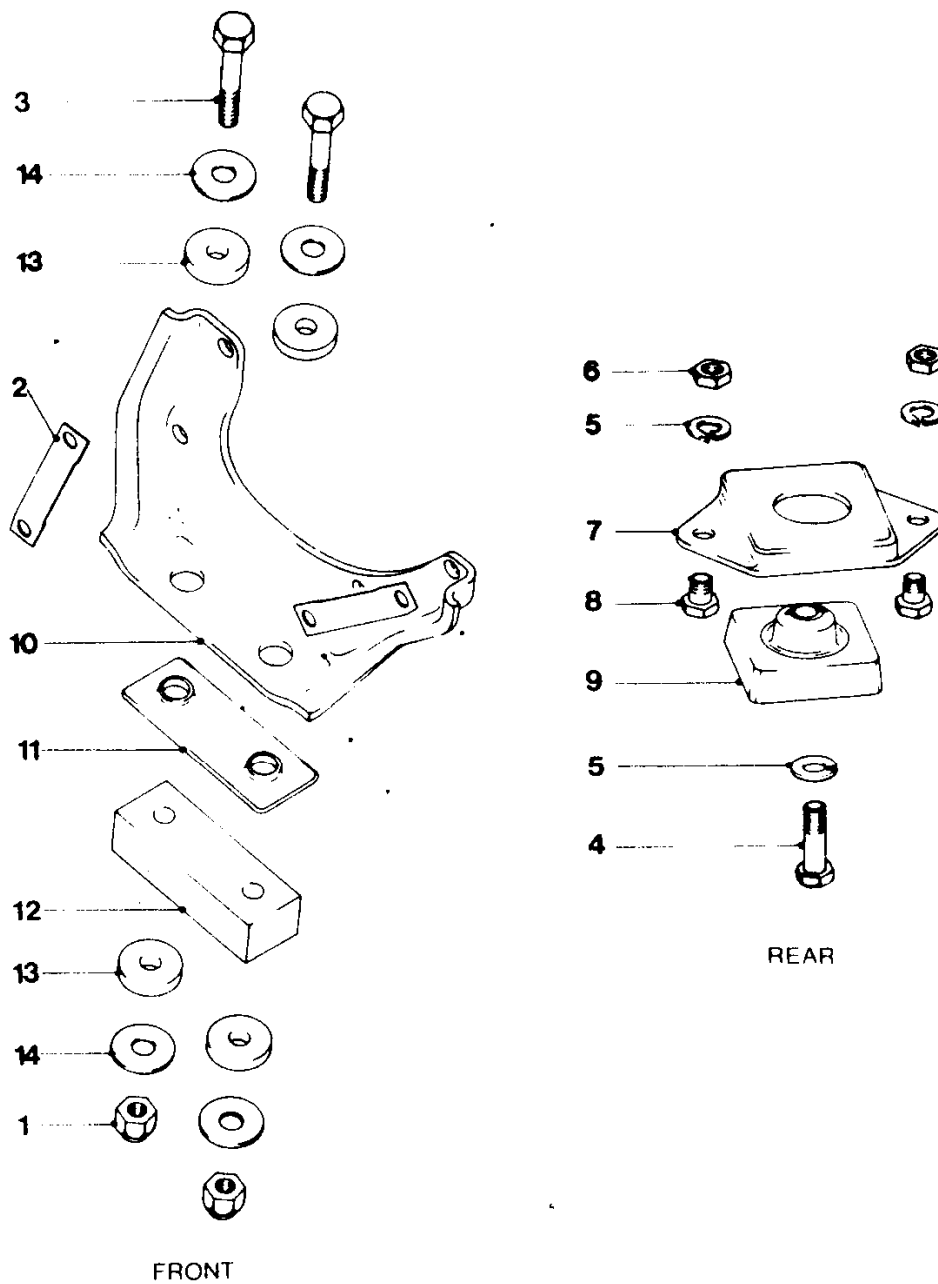
OIL PUMP.

S E R I A L	N U M B E R	G R O U P & I T E M N o.	D E S I G N A T I O N	M A N U F A C T U R E R S		N O O F F	E X P L O S I O N S	L E V E L	R E P A I R
				C O D E	P A R T N o.				
1	2	3	4	5	6	7	8		
000313	AAF	OIL PUMP							
000314	001	KEY, WOODRUFF, STEEL, WHITNEY NO 5, 5/8IN BY 1/8IN THK	K7766	46PT1	1	X		B	
000315	002	PIN, STRAIGHT, HEADLESS STEEL, SQ ENDS, 0.123IN MIN DIA, 0.125 MAX DIA BY 7/8IN LG	Z0009	112011	1	X		B	
000316	003	GEAR, HELICAL, OIL PUMP SHAFT DRIVE	31007	69608R1	1	X		B	
000317	004	WASHER, LOCK, SPRING, STEEL, SINGLE TURN, RECTANGULAR SECTION, CAD PLATED, 5/16 IN. BOLT SIZE	17600	DX252	2	X		B	
000318	005	SCREW, MACHINE, UNC, 2A, SAE GRADE 5 STEEL, HEX HD, ZINC COATED, 5/16 IN. BY 1 IN. LG	8Q204	B18-2	2	X		B	
000319	006	PUMP, ENGINE OIL, RECTARY, POWER DRIVEN, LESS FILTER ASSY	31007	230421R91	1	N		B	
000320	007	PIN, STRAIGHT, HEADLESS, STEEL, PHOSPHATED, 0.484 IN. DI A, 2-5/32 IN. LG, CHAMFERED ENDS	31007	35647H	1	X		B	
000321	008	GEAR, SPUR	31007	227713R1	1	X		B	
000322	009	GASKET, PAPER, 2.824IN O/A LG, 3.313IN O/A W, 0.004IN MIN 0.063IN MAX THK, 4 HOLES, 0.656IN DIA	31007	69 607 R1	1	X		B	
000323	010	COVER, OIL PUMP, WITH O RING	31007	169679R1	1	X		B	
000324	011	WASHER, LOCK STEEL, SHAKEPROOF, CAD PLATED, EXTERNAL TYPE 11, 5/16IN BOLT SIZE	20088	1118	4	X		B	
000325	012	SCREW, MACHINE, UNC, 2A, SAE GRADE 5 STEEL, HEX HD, ZINC COATED, 5/16 IN. BY 1 IN. LG	8Q204	B18-2	4	X		B	
000326	013	PIN, COTTER SPLIT, MILD STEEL, 1/8IN BY 1-1/2IN LG	K7766	1574	1	X		B	
000327	014	PACKING, PREFORMED, RUBBER, 9/16 IN ID 3/4 IN OD BY 3/32 IN H O/A	31007	252221R1	1	X		B	
000328	015	FLOAT ASSEMBLY, ENGINE OIL	31007	178050R91	1	N		B	
000329	016	GEARSHAFT, SPUR, OIL PUMP	31007	230409R91	1	X		B	



OIL FILTER.

S E R I A L	N U M B E R	G R O U P & I T E M N o.	D E S I G N A T I O N	M A N U F A C T U R E R S		N O O F F	E X P L O S I O N	L I M I T S	O F	R E P A I R
				C O D E	P A R T N o.					
1	2	3	4	5	6	7	8			
000348	AAG	OIL FILTER								
000349	001	FILTER, FLUID, PRESSURE	Z0028	P2901		1	N		UPB	
000350	002	NUT, PLAIN, WING, ENGINE OIL FILTER	Z0028	N3011		1	X		UPB	
000351	003	WASHER, NONMETALLIC, SYNTHETIC RUBBER, 0.563IN.ID, 0.875IN.OD, 0.125IN.THK.	Z0009	855268R1		1	X		UPB	
000352	004	HEAD, CASTING, OIL FILTER	Z0028	P2893		1	X		B	
000353	005	GASKET, SYNTHETIC, 4-1/8 IN ID 4-1/4 IN OD 1/8 IN THK (FOR NARROW GROOVE HEAD)	Z0028	M800GR		1	X		UP	
000354	000	GASKET OIL FILTER (USE SERIAL 355)				1				
000355	006	FILTER ELEMENT, FLUID PRESSURE (INCL SERIALS 353 AND 354)	Z0009	855118R92		1	X		UPB	
000356	007	CASE W/CENTRE BOLT ASSY								
000357	008	SPRING, HELICAL, COMPRESSION ELEMENT LOCATING	Z0028	C24-838CM		1	X		UPB	
000358	000	SCREW, MACHINE, UNC 2A, SAE GRADE 5 STEEL, HEX HD, ZINC COATED, 3/4IN BY 2IN LG	80204	B18-2		2	X		UPB	
000359	000	WASHER, LOCK, SPRING, STEEL, SINGLE TURN, RECTANGULAR SECTION, CAD PLATED, 3/8 IN. BOLT SIZE	K7766	1802		2	X		UPB	
000360	000	GASKET, FILTER TO CRANKCASE (REFER SERIAL 87)				1				

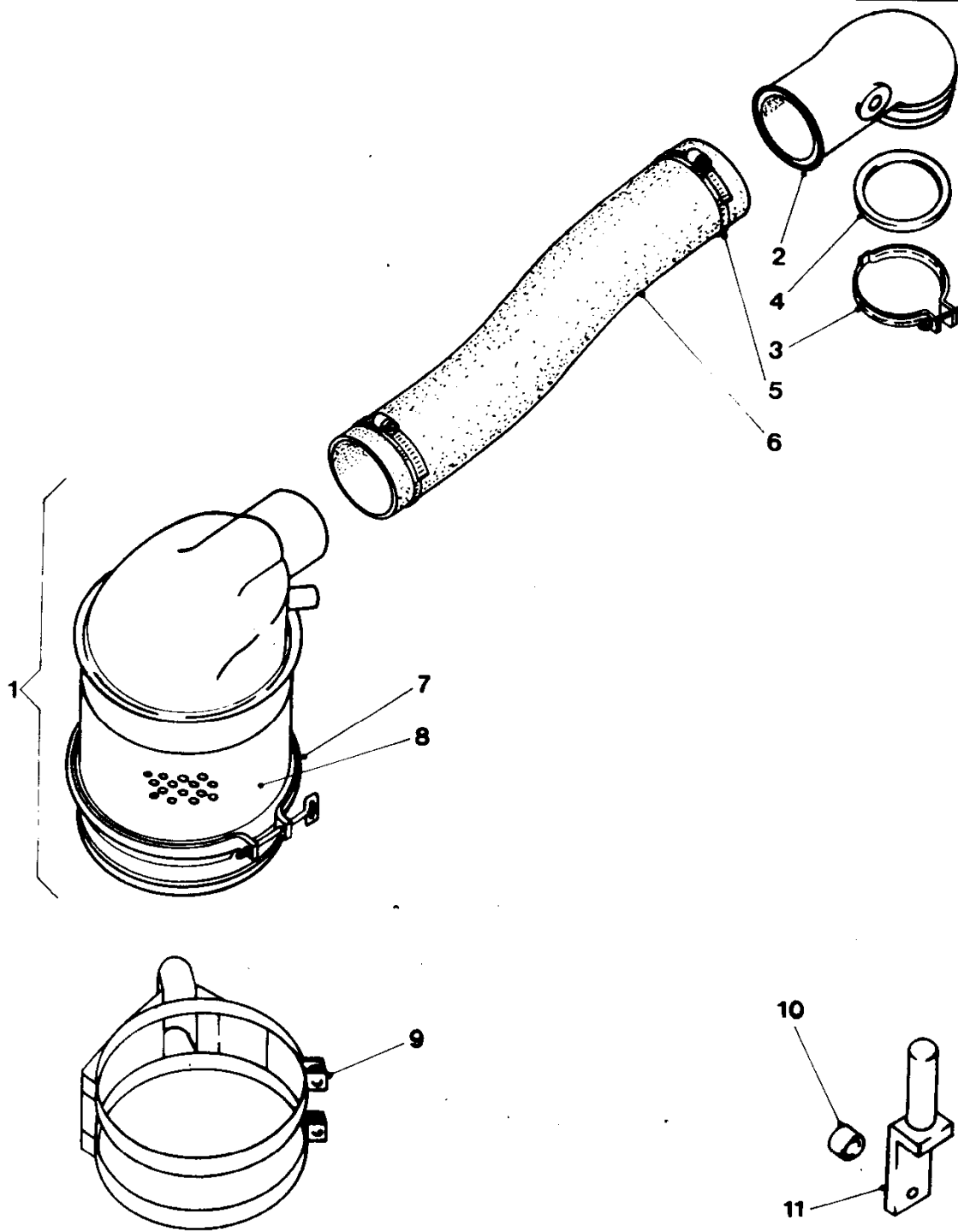


ENGINE MOUNTINGS

S E R I A L	N U M B E R	G R O U P & I T E M N O.	D E S I G N A T I O N	M A N U F A C T U R E R S		N O O F F	E X P. C L A S S	L E V E L	R E P A I R
				C O D E	P A R T N O.				
1	2	3	4	5		6	7	8	
000380	AAH	ENGINE MOUNTINGS							
000381	001	NUT, SELF-LOCKING, HEXAGON, UNF CLASS 2B FIL, P STEEL, TYPE P, ZINC COATED, 7/16IN, W/NYLON INSERT		Z00C9	850939-R91	2	X	UPB	
000382	002	LOCKING PLATE, NUT AND BOLT, STEEL		Z0009	856651R1	2	X	UPB	
000383	003	BOLT, MACHINE, UNF, 2A, SAE GRADE 8 STEEL, HEX HD. ZINC COATED, 7/16 IN BY 2-3/4 IN LG		80204	B18-2	2	X	UPB	
000384	004	BOLT, MACHINE, UNC, 2A, SAE GRADE 5 STEEL, HEX HD, ZINC COATED, 1/2IN BY 2-3/4IN LG		80204	B18-2	2	X	UPB	
000385	005	WASHER, LOCK, SPRING, STEEL, SINGLE TURN, SQ SECTION, CAD PLATED, 3/8 IN. BOLT SIZE, 0.590 IN. OD, 0.092 IN. THK		K7766	BS1802TYPE A	4	X	UPB	
000386	006	NUT, PLAIN, HEXAGON, UNF 2B, A STEEL, LOCK, ZINC COATED, 1/2IN		Z0544	B147	2	X	UPB	
000387	007	RETAINER, INSULATOR		Z0009	890362R1	2	X	UPB	
000388	008	SCREW, MACHINE, UNF, 2A, SAE GRADE 5 STEEL, HEX HD, ZINC COATED, 1/2 IN. BY 1 IN. LG		80204	B18-2-1-	4	X	UPB	
000389	009	INSULATOR, REAR ENGINE MOUNTING		31007	3210532R91	2	X	UPB	
000390	010	BRACKET, SUPPORT, ENGINE FRONT		89345	169134R11	1	X	FB	
000391	011	RETAINER, INSULATOR		31007	184302R1	1	X	UPB	
000392	012	INSULATOR, ENGINE		31007	168877R1	1	X	UPB	
000393	013	INSULATOR, ENGINE MOUNT		31007	184301R1	4	X	UPB	
000394	014	WASHER, FLAT, SPECIAL, 7/16 IN. ID		31007	188755R1	4	X	UPB	

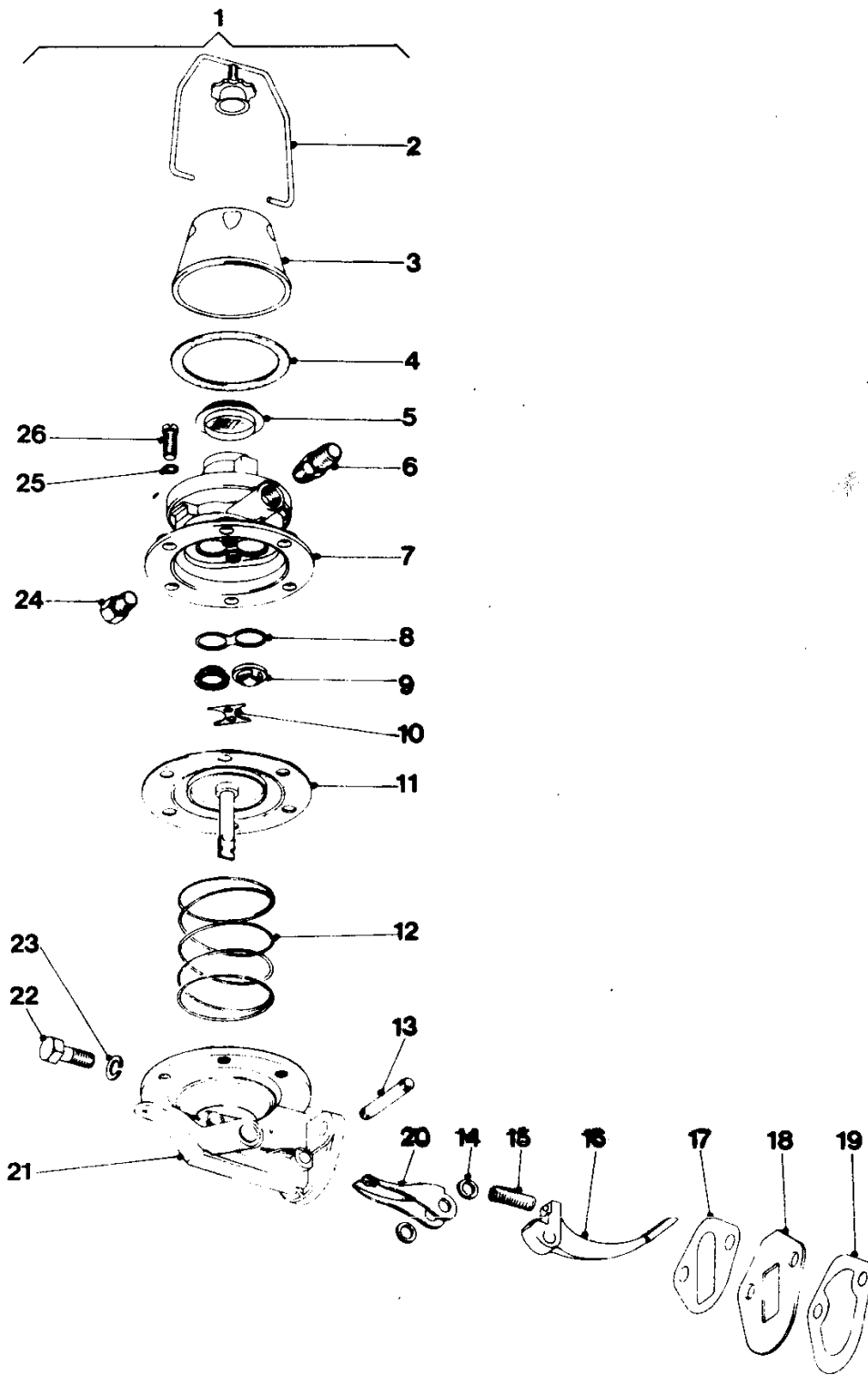
GROUP AAI

RPS02031



AIR CLEANER.

S E R I A L	N U M B E R	G R O U P & I T E M N o.	D E S I G N A T I O N	M A N U F A C T U R E R S		N O O F F	E X P. C L A S S	L E V E L	O F	R E P A I R
				C O D E	P A R T N o.					
1	2		3	4	5	6	7	8		
000414	AAI		AIR CLEANER							
000415	001		AIR CLEANER, INTAKE	31007	212470R91	1	N	UPB		
000416	002		HORN, AIR, CARBURETOR	31007	285277C11	1	X	UPB		
000417	003		CLAMP, AIR HORN	31007	188794R91	1	X	UPB		
000418	004		WASHER, NONMETALLIC, CORK/SYNTHETIC RUBBER, 3IN.OD, 2.590IN.ID, 0.093IN THK	Z0009	857 902 R1	1	X	UPB		
000419	005		CLAMP, HOSE, STEEL, ADJUSTABLE, ZINC COATED, WORM DRIVE W/SAFETY COLLAR, 2-5/8 IN. TO 3-1/2 IN. SIZE RANGE	Z0132	2282815	2	X	UPB		
000420	006		HOSE, PREFORMED, AIR CLEANER TO ENGINE	Z0020	ADEV225-110	1	X	UPB		
000421	007		COUPLING, CLAMP, GROOVED, RD, 7.875IN ID, 2PIECE SINGLE LATCH	18265	P2989	1	X	UPB		
000422	008		CUP OIL ASSEMBLY	18265	P6698	1	X	UPB		
000423	009		STRAP, AIR CLEANER	89345	211400R91	1	X	B		
000424	010		SPACER, SLEEVE, 1 IN. OD, 0.469 IN. ID, 0.595 IN. LG C/A	Z2813	ADE(V) 225-104	1	X	UPB		
000425	011		BRACKET, MOUNTING, AIR CLEANER (REFER EME1 VEH G557-7)	Z0020	ADEV225-714	1	X	UPB		
000426	000		PLUG, PIPE, NPT, IRON OR STEEL, SQUARE HD, ZINC COATED, 1/2IN.SIZE	24617	143935	1	X	UPB		



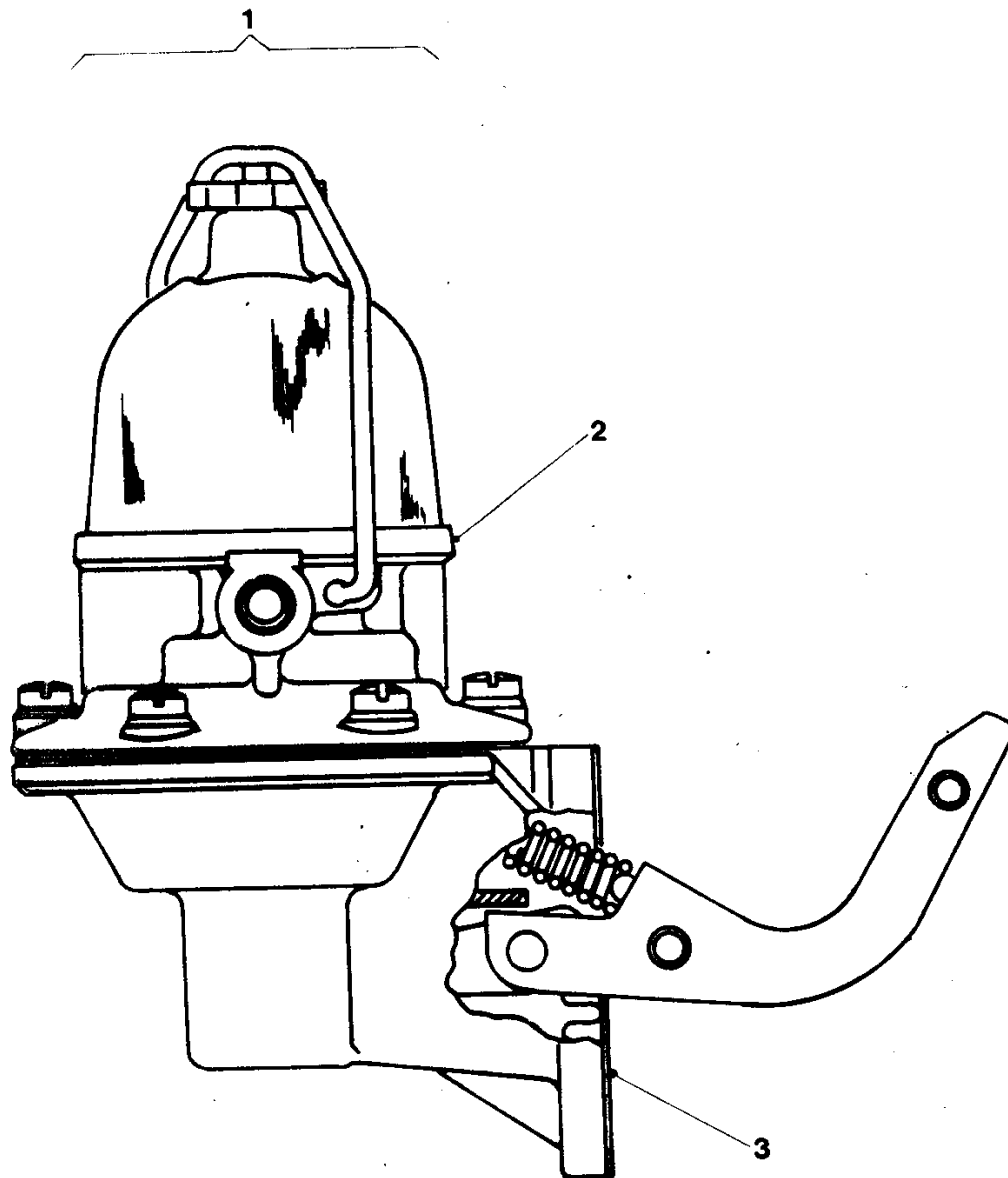
FUEL PUMP - EARLY MODEL.

SERIAL	NUMBER	GROUP & ITEM No.	DESIGNATION	MANUFACTURERS		NO. OFF	EXP. CLASS	LEVEL	OF REPAIR
				CODE	PART No.				
1	2	3	4	5	6	7	8		
000446	AAJ		FUEL PUMP, EARLY MODEL						
000447	001		PUMP, FUEL, CAM ACTUATED (USE SERIAL 497)			1			
000448	002		RETAINER, FUEL BOWL, ASSY	U1088	5592046	1	X	UPB	
000449	003		BOWL, SEDIMENT, STEEL FUEL PUMP	31007	107575-H	1	X	UPB	
000450	004		GASKET, FUEL PUMP BOWL	U1088	5593404	1	X	UP	
000451	005		STRAINER, FUEL PUMP	U1088	1523099	1	X	UP	
000452	006		ADAPTER, STRAIGHT, PIPE TO TUBE, BRASS, 5/16IN TUBE, MALE UNF-3A, 1/2IN, MALE NPTF 1/8IN, 1-5/32IN LG O/A	75377	AMUR2-54	1	X	UPB	
000453	007		HOUSING, VALVE, FUEL PUMP	U1088	1524492	1	X	UP	
000454	008		GASKET, VALVE CAGE	70040	1537404	1	X	UP	
000455	009		VALVE, SAFETY RELIEF	70040	5591860	2	X	UP	
000456	010		PLATE, RETAINING, FUEL PUMP VALVE AND CAGE	K0160	66210100	1	X	UP	
000457	000		SCREW, MACHINE, FUEL PUMP	31007	132696	2	X	UP	
000458	011		DIAPHRAGM, PUMP	U1088	1524628	1	X	UP	
000459	012		SPRING, HELICAL, COMPRESSION FUEL PUMP	U1088	1524500	1	X	UP	
000460	013		PIN, PIVOT, W/SNAP RING ASSY	U1088	1524910	1	X	UP	
000461	000		RING, RETAINING, FUEL PUMP PIVOT PIN	U1088	1524112	2	X	UP	
000462	014		WASHER PLAT ROCKER ARM PIN	70040	856939	2	X	UP	
000463	015		SPRING, HELICAL, COMPRESSION ROCKER ARM	U0040	0780225	1	X	UP	
000464	016		LEVER CAM			1			
000465	017		GASKET, FUEL PUMP TO SPACERF	U0061	78-999	1	X	UP	
000466	018		SPACER, PLATE, FUEL PUMP TO CRANKCASE	U1088	7950822	1	X	UP	
000467	019		GASKET, FUEL PUMP FLANGE	U1088	8829378	1	X	UP	
000468	020		LEVER ASSEMBLY, HAND PRIMING	U1088	AC152444	1	X	UP	
000469	021		BODY, LOWER	70040	1524273	1	X	UP	
000470	000		SPRING, LEVER, HAND PRIMER	U1088	1524463	1	X	UP	
000471	022		SCREW, MACHINE, UNC, 2A, SAE GRADE 5 STEEL, HEX HD, ZINC COATED, 5/16 IN. BY 1 IN. LG	8Q204	B18-2	2	X	UP	
000472	023		WASHER, LOCK, SPRING, STEEL, SINGLE TURN, RECTANGULAR SECTION, CAD PLATED, 5/16 IN. BOLT SIZE	17600	DX252	2	X	UP	

S E R I A L	N U M B E R	G R O U P & I T E M N o.	D E S I G N A T I O N	M A N U F A C T U R E R S		N O O F F	E X P L O S I V E	R E P A I R
				C O D E	P A R T N o.			
1	2	3	4	5	6	7	8	
000473	024	ADAPTER, STRAIGHT, PIPE TO TUBE, INVERTED FLARE, BRASS, 5/16IN TUBE, MALE 1/8 NPTF, FEMALE 1/2-20	12204	137406	1	X	UP	
000474	025	WASHER, LOCK, SPRING, STEEL, SINGLE TURN, CAD OR ZINC PLATED, 3/16 IN., 2 BA OR 10 UN SCREW SIZE	K7766	1802	5	X	UP	
000475	026	SCREW, MACHINE, UNF, 2A, STEEL, FIL HD, SLOT DRIVE, ZINC COATED, NO. 10 BY 1/2 IN.LG	Z0544	ASB149	5	X	UP	
000476	000	PARTS KIT, ENGINE FUEL PUMP	K4284	8G2039	1	X	UPB	

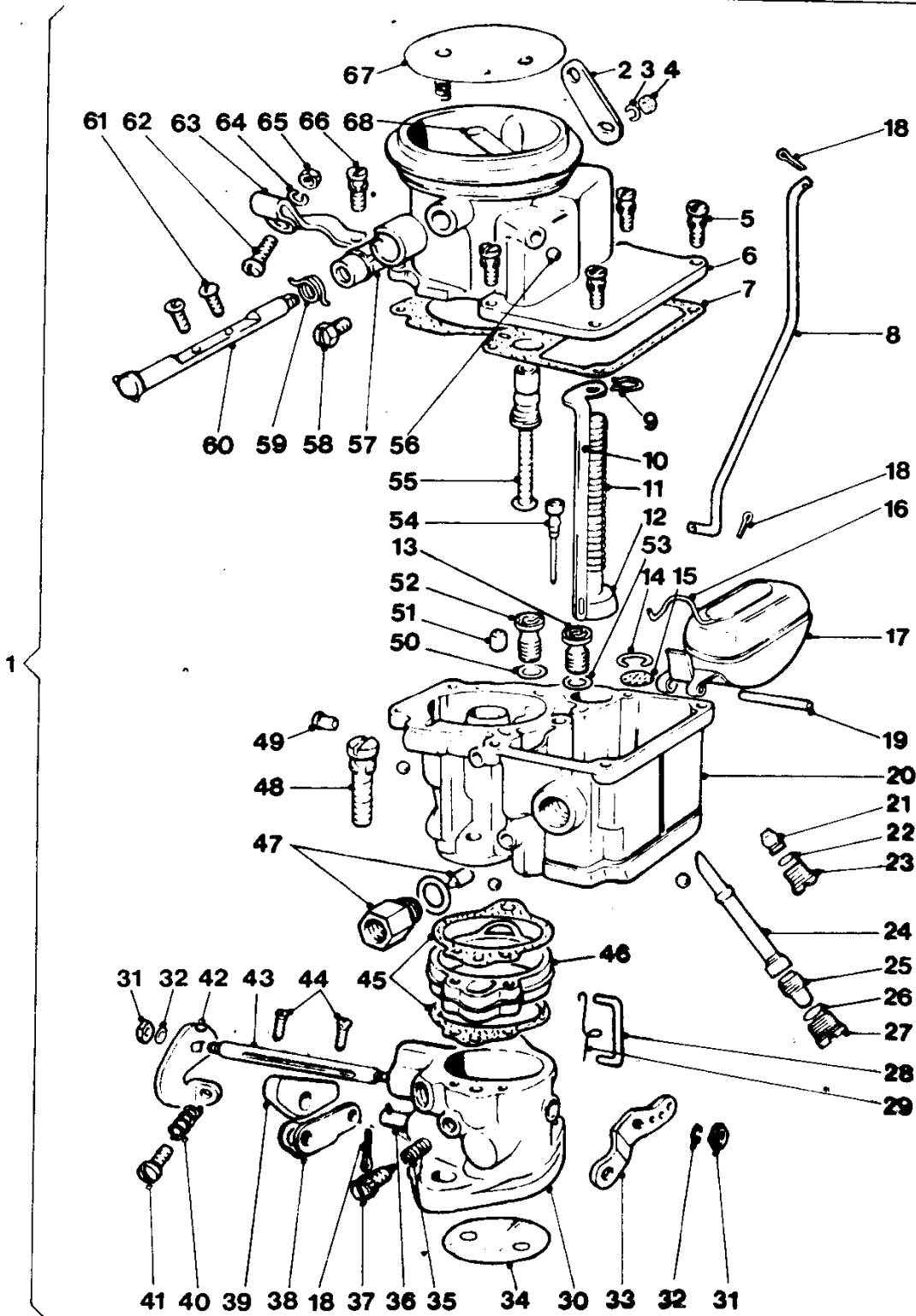
GROUP AAK

RPS02031



FUEL PUMP - CURRENT MODEL.

S E R I A L	N U M B E R	G R O U P & I T E M N o.	D E S I G N A T I O N	M A N U F A C T U R E R S		N O O F F	E X P L O S I O N	L E V E L	R E P A I R
				C O D E	P A R T N o.				
1	2	3	4	5		6	7	8	
000496	AAK	FUEL PUMP - CURRENT MODEL							
000497	001	PUMP, FUEL, CAM ACTUATED	Z1018	G594		1	X	UPB	
000498	002	BOWL, SEDIMENT, FUEL PUMP	ZQ151	A30142		1	X	UPB	
000499	000	GASKET, FILTER BOWL, FUEL PUMP	Z0009	889278R1		1	X	UPB	
000500	003	GASKET, FUEL PUMP TO CRANK-CASE (REFER SERIAL 085)				1			
000501	000	DIAPHRAGM PUMP	Z0009	889272R91		1	X	UPB	
000502	000	SEAL, PLAIN, SYNTHETIC RUBBER, 0.187 IN. ID, 1.000 IN. OD	Z0009	889273R1		1	X	UPB	



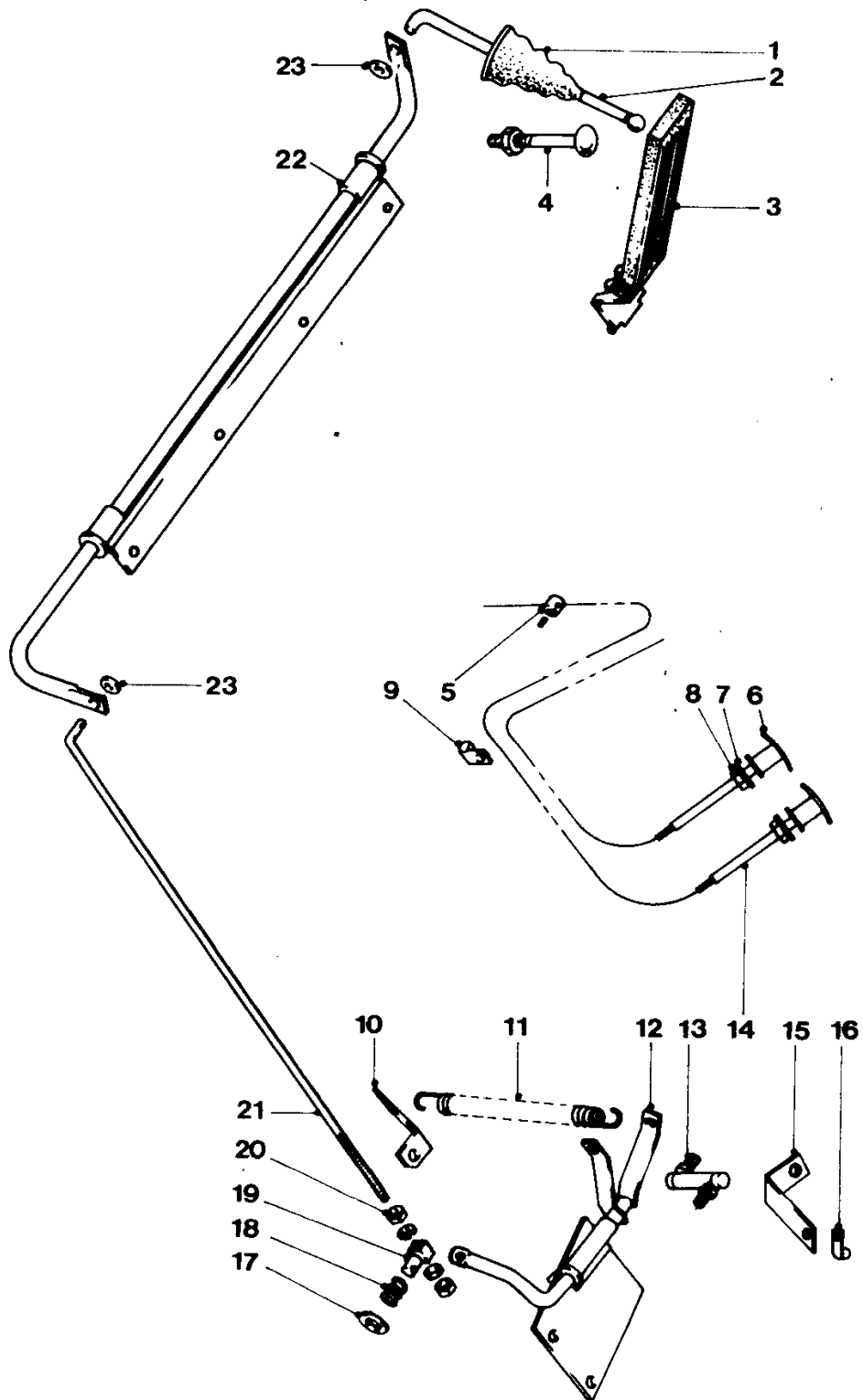
CARBURETTOR.

S E R I A L	N U M B E R	G R O U P & I T E M N o.	D E S I G N A T I O N	M A N U F A C T U R E R S		N O O F	E X P C L A S S	I N V E N T O R Y	R E P A I R
				C O D E	P A R T N o.				
1	2	3	4	5		6	7	8	
C00522	AAL	CARBURETTOR							
000523	001	CARBURETTOR ASSEMBLY	Z0009	858637-R9 1		1	N		UPB
000524	002	LEVER, FAST IDLE	Z0151	2376020		1	X		FB
000525	003	WASHER, LOCK, SPRING, STEEL, SINGLE TURN, CAD OR ZINC PLATED, 3/16 IN., 2 EA OR 10 UN SCREW SIZE	K7766	1802		1	X		UPB
000526	004	NUT, PLAIN, HEXAGON, UNF 2B, MILD STEEL, NO10, 5/16IN AF, 3/32IN H	Z0009	858 924 R1		1	X		UPB
C00527	C05	SCREW, ASSEMBLED WASHER, AIR HORN ATTACHMENT	Z0151	909521K1		5	X		UPB
000528	006	AIR HORN ASSEMBLY	Z0151	2376027		1	X		FB
000529	007	GASKET AIR HORN (USE SERIAL 593)				1			
000530	008	ROD, FAST IDLE	Z0151	2376023		1	X		FB
000531	009	CLIP RETAINING CARBURETTOR PUMP STEM (USE SERIAL 591 OR 592)				1			
000532	010	ROD, ACCELERATOR PUMP	Z0151	385078		1	X		B
000533	011	SPRING, HELICAL, COMPRESSION PUMP, PISTON	Z0151	P24287		1	X		B
000534	012	PISTON ASSEMBLY ACCELERATOR PUMP (USE SERIAL 591 OR 592)				1			
000535	013	JET, ACCELERATOR PUMP, BY PASS 2X, N056 NOT VARIABLE (USE SERIAL 591)				1			
000536	014	RING, RETAINING, STEEL, INTERNAL, 0.390IN. OD, 0.334IN. ID, 0.028IN. THK	Z0151	P23271		1	X		FB
000537	015	STRAINER, ELEMENT, SEDIMENT ACCELERATOR PUMP (USE SERIAL 591)				1			
000538	016	SPRING, FULCRUM PIN, CARBURETTOR FLOAT	Z0009	858938R1		1	X		UPB
000539	017	FLOAT, CARBURETTOR	Z0141	7405112		1	X		UPB
000540	018	PIN, COTTER SPLIT	Z0009	858 933 R1		3	X		UPB
000541	019	PIN, STRAIGHT, HEADLESS STEEL, CAD PLATED, 0.125IN BY 0.921IN LG	Z0009	858 940 R1		1	X		UPB
000542	020	BODY, MAIN ASSEMBLY (NOT SERVICED SEPARATELY)				1			
000543	021	PUMP CHECK VALVE ASSEMBLY (USE SERIAL 591)				1			

S E R I A L	N U M B E R	G R O U P & I T E M N o.	D E S I G N A T I O N	M A N U F A C T U R E R S		N O O F F	E X P L O S I O N	L E V E L	O F	R E P A I R
				C O D E	P A R T N o.					
1	2	3	4	5	6	7	8			
000544	022	GASKET CHECK VALVE PLUG COPPER 0.388 IN ID BY 0.453 IN OD BY 0.020 IN THK (USE SERIAL 593)			1					
000545	023	PLUG, MACHINE THREAD, UNF, 2A, STEEL, UNDERCUT CHEESE HD, SLOTTED, 3/8 IN. DIA BY 3/8 IN. O/A LG, 0.141 IN. HD H	Z0151	P24678	1	X		B		
000546	024	JET, MAIN DISCHARGE, NO 28-36, NOT VARIABLE	ZQ151	2376042	1	X		PB		
000547	025	JET MAIN METERING 0.071 IN (USE SERIAL 591)			1					
000548	026	GASKET, METERING JET PLUG (USE SERIAL 593)			1					
000549	027	PLUG, MACHINE, THREAD, STEEL N5 2A, 7/16 IN -24, 0.391 IN O/A (USE SERIAL 591)			1					
000550	028	LINK ACCELERATOR PUMP (USE SERIAL 591 OR 592)			1					
000551	029	SPRING CARBURETTOR PUMP LINK (USE SERIAL 591)			1					
000552	030	BQDY, THROTTLE, ASSEMBLY			1					
000553	031	NUT, PLAIN, HEXAGON, UNF, 2B, "A" STEEL, ZINC COATED, NO 10	K7766	3155	2	X		PB		
000554	032	WASHER, LOCK, SPRING STEEL, SINGLE TURN, RECTANGULAR SECTION, CAD PLATED, 1/4 IN BOLT SIZE	K7766	1802	2	X		PB		
000555	033	THROTTLE AND PUMP LEVER	Z0151	2376012	1	X		B		
000556	034	PLATE, THROTTLE	Z0151	P24059	1	X		B		
000557	035	SPRING HELICAL COMPRESSION IDLE NEEDLE VALVE (USE SERIAL 591)			1					
000558	036	PIN, STRAIGHT, HEADLESS, STEEL, CAD PLATED, 1/4 IN. DIA BY 23/32 IN. LG	Z0009	858957R1	1	X		B		
000559	037	VALVE NEEDLE CARBURETTOR IDLE (USE SERIAL 591 OR 592)			1					
000560	038	LEVER, FAST IDLE CAM	Z0151	385172	1	X		B		
000561	039	CAM, CONTROL, FAST IDLE	Z0151	385048	1	X		B		
000562	040	SPRING, HELICAL, COMPRESSION, STEEL, CAD. PLATED, 4-1/2 COILS, 0.641 IN. FREE LG, 0.267 IN. FREE OD, 0.064 IN. THK MATERIAL	Z0009	858961R1	1	X		PB		

S E R I A L	N U M B E R	G R O U P & I T E M N o.	D E S I G N A T I O N	M A N U F A C T U R E R S		N O O F F	E X P L O S I O N C L A S S	L E V E L	O F	R E P A I R
				C O D E	P A R T N o.					
1	2	3	4	5	6	7	8			
000563	041	SCREW, MACHINE, UNC, 2A, MILD STEEL, RAISED CHEESE HD, SLOTTED, ZINC CCATED, NO. 10 BY 3/4 IN.	K7766	3155		1	X			PB
C00564	042	LEVER, IDLE ADJUSTMENT	Z0009	858962R1		1	X			B
000565	043	SPINDLE CARBURETTOR THROTTLE (USE SERIAL 591 OR 592)				1				
000566	044	SETSCREW, UNC, 2A, BRASS, OVAL HEAD, NON STANDARD POINT, NO. 6 BY 9/32 IN.	Z0009	858963R1		2	X			UPB
000567	045	GASKET MAIN BODY AND INSULATING SPACER (USE SERIAL 593)				2				
000568	046	SPACER, MAIN BODY AND INSULATING	Z0151	384677		1	X			PB
000569	047	VALVE ASSEMBLY, FUEL INLET, 0.092 IN, W/GASKET (ALSO PART OF SERIAL 592)	Z0151	2376016		1	X			UPB
000570	048	SCREW, ASSEMBLED WASHER, main body	Z0151	909552K1		2	X			PB
000571	049	PLUG, CARBURETTOR MAIN BODY CHANNEL	06848	P15459		2	X			UPB
C00572	050	WASHER NON METALIC (USE SERIAL 593)				1				
C00573	051	BLEEDER, HIGH SPEED	Z0151	P23985/68		1	X			B
000574	052	JET ASSY BY-PASS N051 (USE SERIAL 591)				1				
000575	053	WASHER NON-METALIC (USE SERIAL 593)				1				
000576	054	TUBE ASSEMBLY, IDLE, NO 65	Z0151	P21778-65		1	X			PB
000577	055	PISTON ASSEMBLY, VACUUM POWER (ALSO PART OF SERIAL 591)	Z0151	P24043		1	X			PB
000578	056	BALL, LEAD	Z0151	P18772		5	X			PB
C00579	057	LEVER ASSEMBLY, MANUAL CHOKE	Z0151	P24081		1	X			B
000580	058	SCREW, MACHINE, UNF, 2A, STEEL, HEX HD, NO 10 BY 5/16IN	Z0009	858 979 R 1		1	X			PB
000581	059	SPRING, HELICAL, TORSION STEEL, TIN PLATED, 0.363IN. CD, 0.105IN. LG, 0.021IN. IDA MATERIAL	Z0009	858977R1		1	X			PB
000582	060	SHAFT AND LEVER ASSEMBLY, CHOKE PLATE	ZQ151	2376021		1	X			B

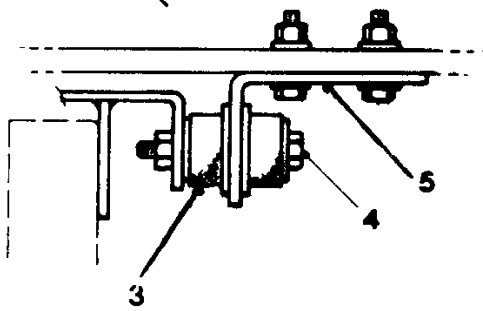
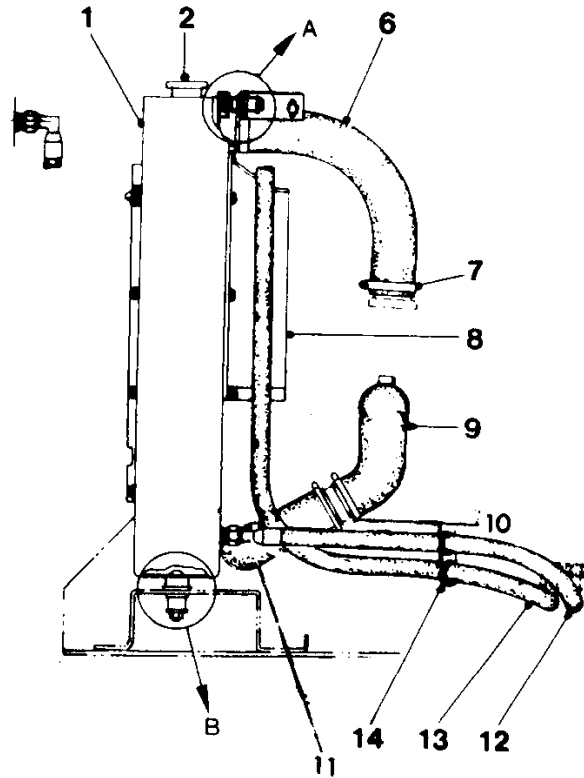
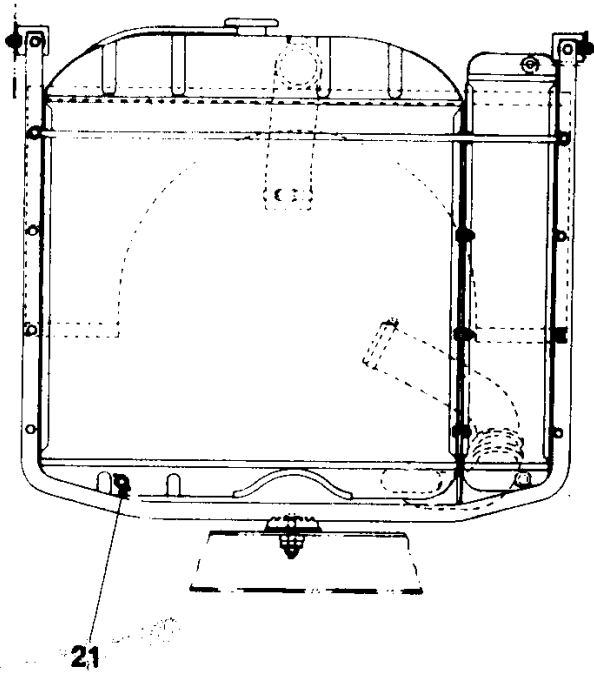
SERIAL	NUMBER	GROUP & ITEM No.	DESIGNATION	MANUFACTURERS		NO OFF	EXPL. SOCIAL LEVEL	OF REPAIR
				CODE	PART No.			
1	2	3	4	5	6	7	8	
000583	061	SCREW, EXTERNALLY RELIEVED BODY, UNC, 2A, NICKEL ALLOY STEEL, RD HD, NO 6 BY 7/32IN LG	Z0009	858920R1	2	X	PB	
000584	062	SCREW, MACHINE, VALVE CHOKE TUBE CLAMP	Z0151	904231K1	1	X	UPB	
000585	063	CLAMP, LOOP, CHOKE CABLE	Z0009	858975R1	1	X	B	
000586	064	WASHER (SEE SERIAL 525)			1			
000587	065	NUT, PLAIN, HEXAGON, UNF, 2B, "A" STEEL, ZINC COATED, NO 10	K7766	3155	1	X	UPB	
000588	066	SCREW ASSEMBLED WASHER, CHOKE HOLDER ATTACHMENT	Z0151	909522K1	1	X	UPB	
000589	067	CHOKE VALVE ASSEMBLY	Z0151	P24046	1	X	PB	
000590	068	TUBE, VENT	Z0151	P24045	1	X	B	
000591	000	PARTS KIT, CARBURETTOR "MAJOR REPAIR" (CONSISTS OF SERIALS 531, 534, 535, 537, 543, 547, 549, 550, 551, 557, 559, 565, 574, 576, 593)	Z0009	858982R91	1	X	PB	
000592	000	PARTS KIT, CARBURETTOR MINOR REPAIR (CONSISTS OF SERIALS 531, 534, 550, 559, 565, 569, 593)	Z0009	858981-R	1	X	UP	
000593	000	GASKET SET, CARBURETTOR (ALSO PART OF SERIALS 591, 592 - CONSISTS OF SERIALS 529, 544, 548, 567, 572, 575, 748)	Z0009	858 980 R92	1	X	UP	



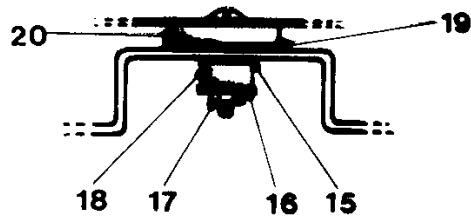
CARBURETTOR CONTROLS.

SERIAL NUMBER	GROUP & ITEM No.	DESIGNATION	MANUFACTURERS		NO OF	EXPL CLASS	REPAIR
			CODE	PART No.			
1	2	3	4	5	6	7	8
000613	AAH	CARBURETTOR CONTROLS					
000614	001	BOOT, DUST AND MOISTURE SEAL, ACCELERATOR TO TIE BOARD	Z0009	881058R1	1	X	UPB
000615	002	CONNECTING LINK, RIGID	Z0009	859742R1	1	X	PB
000616	003	PEDAL, CONTROL, ACCELERATOR	Z0009	858825-R9 1	1	X	UPB
000617	000	SCREW, MACHINE, UNF, 2A, SAE GRADE 5 STEEL, HEX HD, ZINC COATED, 5/16 IN. BY 1/2 IN. LG	80204	B18-2	2	X	UPB
000618	000	WASHER, LOCK STEEL, SHAKEPROOF, CAD PLATED, EXTERNAL TYPE 11, 5/16IN BOLT SIZE	Z0088	1118	2	X	UPB
000619	004	BOLT, SQUARE NECK, unc, 2a, steel, cup hd, cad plated, 5/16in by 3-1/4in	Z0009	857746R1	1	X	UPB
000620	000	NUT, PLAIN, HEXAGON, UNC 2B STEEL, FORMED, ZINC COATED, 5/16IN-18 BY 1/2IN W A/F BY 17/64IN H, WASHER FACED BEARING SURFACE	80204	B18-2	2	X	UPB
000621	005	NUT, PLAIN, ROUND, UNF, 2B, STEEL, CAD PLATED, NO. 10, 0.380 IN. DIA, 0.280 IN. THK, 2 HOLES 0.067 IN. DIA	31007	36942H	1	X	UPB
000622	000	SCREW, MACHINE, UNF, 2A, MILD STEEL, RAISED CHEESE HD, SLOTTED, ZINC COATED, NO.10 BY 1/4 IN.	K7766	3155	1	X	UPB
000623	006	CONTROL ASSEMBLY, PUSH-PULL, THROTTLE	Z0020	ADE(V) 94-12	1	X	UPB
000624	007	WASHER, FLAT, RD, STEEL, ZINC COATED, SMALL, 3/8 IN. BOLT SIZE, 3/4 IN. OD BY 0.072 IN. THK	Z0544	B117	1	X	UPB
000625	008	NUT, PLAIN, HEXAGON, UNF 2B, STEEL, FORMED, ZINC COATED, 3/8IN	80204	B18-2	1	X	UPB
000626	009	CLIP, CLOSED NO7 BY 1/4IN			1		
000627	010	BRACKET, ANGLE, STEEL	Z2813	ADE(V) 225-674	1	X	B
000628	011	SPRING, HELICAL, EXTENSION, STEEL, 0.404IN. ID, 0.500IN. OD BY 4.896IN. FREE O/A LG W/HOOKS EACH END	Z0009	858508R1	1	X	UPB
000629	012	BELL CRANK ASSEMBLY, carburettor	Z0020	ADE(V) 225-677	1	X	PB
000630	000	SCREW, MACHINE, UNC, 2A, SAE GRADE 5 STEEL, HEX HD, ZINC COATED, 5/16IN BY 3/4 N LG	80204	B18-2	2	X	UPB

SERIAL NUMBER	GROUP & ITEM No.	DESIGNATION	MANUFACTURERS		NO OF	EXP. CLASS	LEVEL OF REPAIR
			CODE	PART No.			
1	2	3	4	5	6	7	8
000631	000	WASHER, LOCK, SPRING, STEEL, SINGLE TURN, RECTANGULAR SECTION, CAD PLATED, 5/16 IN. BOLT SIZE	17600	DX252	2	X	UPB
000632	013	BALL JOINT, DOUBLE	Z0009	881671R9	1	X	UPB
000633	000	NUT, PLAIN, HEXAGON, UNF, 2B, "A" STEEL, ZINC CCATED, NO 10	K7766	3155	2	X	UPB
000634	000	WASHER, LOCK, SPRING, STEEL, SINGLE TURN, CAD OR ZINC PLATED, 3/16 IN., 2 EA OR 10 UN SCREW SIZE	K7766	1802	2	X	UPB
000635	014	CONTROL ASSEMBLY, PUSH-PULL, THROTTLE	Z0020	ADE(V)94-12	1	X	UPB
000636	015	BRACKET, ANGLE, THROTTLE CABLE	Z0020	ADEV225-675	1	X	PB
000637	016	CLAMP, LOOP	12204	120521	3	X	UPB
000638	017	WASHER, FLAT, RD, STEEL, CAD PLATED, LARGE, 1 BA, 12 UN OR 7/32 IN. SCREW SIZE	Z0544	B85	1	X	UPB
000639	018	SPRING, HELICAL, COMPRESSION, CARBURETTOR ROD	31007	95141H	1	X	UPB
000640	019	SWIVEL ASSEMBLY, CARBURETTOR ROD	31007	95140H	1	X	UPB
000641	020	NUT, PLAIN, HEXAGON, UNF, 2B, "A" STEEL, ZINC CCATED, NO 10	K7766	3155	2	X	UPB
000642	000	WASHER, LOCK, SPRING, STEEL, SINGLE TURN, CAD OR ZINC PLATED, 3/16 IN., 2 BA OR 10 UN SCREW SIZE	K7766	1802	2	X	UPB
000643	021	CONNECTING LINK, RIGID, cross shaft to bell housing	Z0020	ADE(V) 225-562	1	X	PB
000644	022	CROSS SHAFT ASSEMBLY, ACCELERATOR	Z0020	ADE(V) 94-308/1	1	X	PB
000645	000	SCREW, MACHINE, UNF, TRUSS HD, 5/16IN BY 3/4IN	31007	433856	4	X	UPB
000646	000	WASHER, LOCK STEEL, SHAKEPROOF, CAD PLATED, EXTERNAL TYPE 11, 5/16IN BOLT SIZE	Z0088	1118	4	X	UPB
000647	023	WASHER, FLAT, RD, STEEL, ZINC COATED, SMALL, 7/16 IN. BOLT SIZE, 7/8 IN. OD BY 0.092 IN. THK	Z0544	B117	2	X	UPB



VIEW A



VIEW B

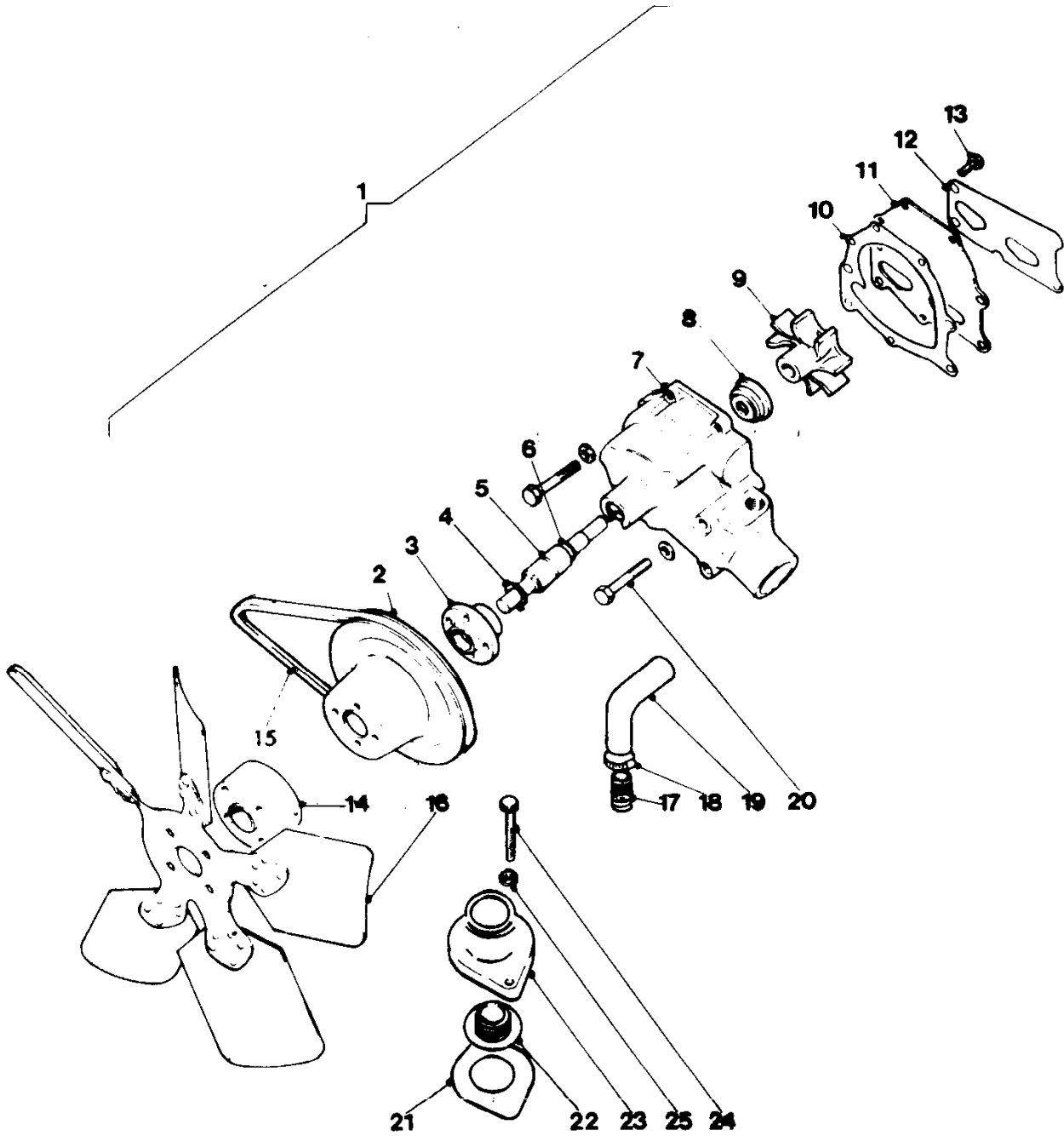
COOLING SYSTEM.

SERIAL NUMBER	GROUP & ITEM No.	DESIGNATION	MANUFACTURERS		NO. OFF	EXP. CLASS	LEVEL	OF	REPAIR
			CODE	PART No.					
1	2	3	4	5	6	7	8		
000658	AAN	COOLING SYSTEM							
000659	001	RADIATOR ASSEMBLIES, GIL AND WATER COOLING	Z0020	ADE(V) 94-329/2	1	N		UFB	
000660	000	RADIATOR, ENGINE COCLANT	Z0020	ADEV94-329-3	1	N		UFB	
000661	000	CIL COOLER, ENGINE	Z0020	ADEV94-329/4	1	N		UFB	
000662	000	FRAME RADIATOR ASSEMBLY	Z0020	ADEV225-414-1	1	X		FB	
000663	C00	SCREW, MACHINE, UNF, 2A, SAE GRADE 5 STEEL, HEX HD, ZINC COATED, 5/16 IN. BY 1 IN. LG	80204	B18-2-1	8	X		UFB	
000664	002	CAP, RADIATOR	31007	73047R91	1	X		UFB	
000665	003	BUSHING, RUBBER, STABILIZER, RADIATOR TOP MOUNTING	Z0009	853208R1	4	X		UFB	
000666	000	WASHER, FLAT, RD, STEEL, 3/8 IN. ID BY 1-1/8 IN. OD BY 0.065 IN. THK	31007	446470	4	X		UFB	
000667	000	WASHER, FLAT, RD, STEEL, CAD PLATED, 3/8 IN. ID, 1-1/2 IN. OD BY 1/16 IN. THK	Z0020	ADEV94-259ITEM25	4	X		UFB	
000668	004	BOLT, MACHINE, UNF, 2A, SAE GRADE 5 STEEL, HEX HD, ZINC COATED 5/16IN BY 2-1/2IN LG	Z1272	030-142	2	X		UFB	
000669	005	BRACKET, RADIATOR, STABILIZER	Z0020	ADEV225-119	2	X		FB	
000670	000	SCREW, MACHINE, UNF, 2A, SAE GRADE 5 STEEL, HEX HD, ZINC COATED, 5/16IN BY 3/4IN LG	80204	B18-2	4	X		UFB	
000671	000	NUT, SELF-LOCKING, HEXAGON, UNF, 2B, STEEL, ZINC COATED, W/NYLON INSERT, 5/16 IN. BOLT SIZE			4	X		UFB	
000672	000	WASHER, LOCK, SPRING, STEEL, SINGLE TURN, RECTANGULAR SECTION, CAD PLATED, 5/16 IN. BOLT SIZE	17600	DX252	4	X		UFB	
000673	000	WASHER, FLAT, RD, STEEL, ZINC COATED, 5/16IN. 5/8 IN. CD BY 0.072 IN. THK	Z1272	038-060	1	X		UFB	
000674	006	HOSE, PREFORMED, RADIATOR, INLET	Z0020	ADE(V) 225-362	1	X		UFB	
000675	007	CLAMP, HOSE, STEEL, ADJUSTABLE, ZINC COATED, WORM DRIVE W/SAFETY CCLLAR, 2 IN. TO 2-3/4 IN. SIZE RANGE	ZQ132	AP100007	4	X		UFB	
000676	008	SHROUD ASSEMBLY, FAN	Z0020	ADE(V) 94-315	1	X		FB	
000677	009	HOSE, PREFORMED, RADIATOR CWTLET, LOWER	Z0020	ADE(V) 94-332	1	X		UFB	
000678	010	HOSE (USE SERIAL 677)			1				

SERIAL	NUMBER	GROUP & ITEM No.	DESIGNATION	MANUFACTURERS		NO OFF	EXP. CLASS	LEVEL	OF	REPAIR
				CODE	PART No.					
1	2	3	4	5	6	7	8			
000679	011		CONNECTOR (USE SERIAL 677)							
000680	012		HOSE ASSEMBLY, RUBBER, OIL COOLER OUTLET, LOWER	Z0020	ADEV225-3 31				X	UPB
000681	013		HOSE ASSEMBLY, RUBBER, OIL COOLER OUTLET, UPPER	Z0020	ADEV225-3 30				X	UPB
000682	014		GROMMET, NONMETALLIC, 1-1/2 IN. OD BY 1 IN. DIA HOLE BY 1/2 IN. H O/A BY 1/4 IN. W/GROOVE	31007	81986R1				X	UPB
000683	015		RETAINER, INSULATOR	31007	72799H				X	FB
000684	016		WASHER, FLAT, RD, STEEL, PHOSPHATED, 17/32 IN. ID BY 1-1/2 IN. OD BY 0.128 IN. TUBE	31007	12 000 R1				X	UPB
000685	017		NUT, SELF-LOCKING, HEXAGON, UNF 2B, P STEEL, TYPE P ZINC COATED, 1/2 IN W/NYLON INSERT	Z0635	NPD166-1				X	UPB
000686	018		BUSHING, RUBBER SYNTHETIC RUBBER 33/64 IN. ID, 55/64 IN. OD BY 9/64 IN. LG BODY, W/FLANGE 1-17/32 IN OD BY 33/64 IN. W, 21/32 IN. Q/A LG	31007	98680H				X	UPB
000687	019		RETAINER, INSULATOR	31007	96736-HB				X	FB
000688	020		WASHER, NONMETALLIC, SYNTHETIC RUBBER, 2-3/4 IN OD BY 1/16 IN ID BY 11/16 IN THK THK	31007	76789R1				X	UPB
000689	021		COCK, DRAIN, BRONZE, 1/4 IN. NPT, MALE END	31007	850634R91				X	UPB

GROUP AAO

RPS02031



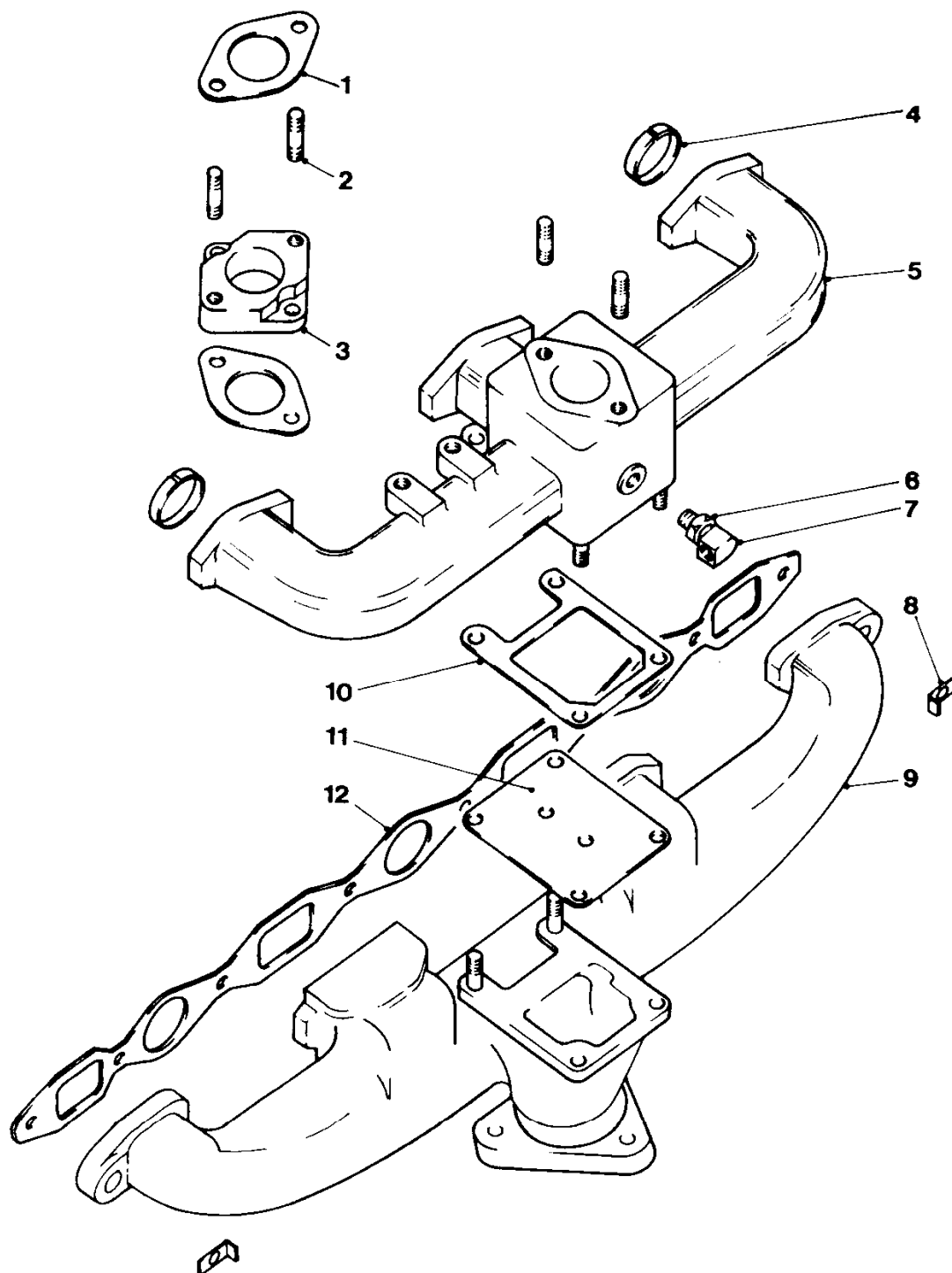
WATER PUMP, THERMOSTAT, WATER OUTLET, FAN.

S E R I A L	N U M B E R	G R O U P & I T E M N o.	D E S I G N A T I O N	M A N U F A C T U R E R S		N O O F F	E X P L O S I O N L E V E L	R E P A I R
				C O D E	P A R T N o.			
1	2	3	4	5	6	7	8	
000696	AA0	WATER PUMP, THERMOSTAT, WATER OUTLET, FAN						
000697	001	PUMP CENTRIFUGAL, ASSEMBLY WATER	Z0020	ADEV94-390	1	N	UPB	
000698	002	PULLEY, GROOVE, PAN AND WATER PUMP	31007	78727R1	1	X	UPB	
000699	003	HUB, PAN	31007	254944C1	1	X	FB	
000700	004	RING RETAINING PUMP SEAPT (USE SERIAL 727)						
000701	005	SHAFT WATER PUMP WITH BEARING AND SLINGER			1			
000702	006	SLINGER, DIRT AND LIQUID, PUMP SHAFT	Z0009	71351B1	1	X	FB	
000703	007	BODY (NOT SERVICES SEPARATELY)						
C00704	008	SEAL ASSEMBLY WATER PUMP (USE SERIAL 727)			1			
000705	009	IMPELLOR WATER PUMP (USE SERIAL 727)			1			
000706	010	GASKET WATER PUMP (USE SERIAL 727)			1			
000707	011	PLATE, PUMP BODY COVER	Z0009	858334R1	1	X	FB	
000708	012	GASKET PUMP TO CRANKCASE (USE SERIAL 727)			1			
000709	013	SCREW, MACHINE, UNC, 2A, SAE GRADE 5 STEEL, HEX HD, ZINC COATED, 1/4 IN. BY 1/2 IN. LG	8Q204	B182	4	X	UPB	
000710	000	WASHER, LOCK STEEL, SHAKEPROOF, CAD PLATED, INTERNAL TYPE 12, 1/4IN (0BA) BOLT SIZE	Z0088	1214	4	X	UPB	
C00711	014	SPACER, STEPPED, PAN, 0.900 IN. ID OF BODY, 2.500 IN. OD OF BODY, 1.830 IN. LG O/A	Z2813	ADE(V)94-313	1	X	FB	
000712	015	BELT, V, ENDLESS, RUBBERISED FABRIC, 1/2IN. TOP WIDTH, 7/16 IN. THK, 40 DEG ANGLE, 46 IN. INSIDE CIRC	Z0C09	886034-R1	1	X	UPB	
000713	016	FAN, ENGINE COOLING	31007	86898R91	1	X	UPB	
000714	000	BOLT, MACHINE, UNF, 2A, SAE GRADE 8 STEEL, HEX HD, CAD PLATED, 1/4IN BY 2-3/4IN THREADED 0.800IN	Z0020	ADEV225-450	4	X	UPB	
000715	000	WASHER, LOCK, SPRING STEEL, SINGLE TURN, RECTANGULAR SECTION, CAD PLATED, 1/4IN BOLT SIZE	K7766	1802	4	X	UPB	

SERIAL	NUMBER	GROUP & ITEM No.	DESIGNATION	MANUFACTURERS		NO OF	EXPL. CLASS.	LEVEL	OF	REPAIR
				CODE	PART No.					
1	2		3	4	5	6	7	8		
000716	017		NIPPLE, WATER, WATER PUMP BY PASS	31007	169193R1	1	X			PB
000717	018		CLAMP, HOSE, STEEL, ZINC COATED, WORM DRIVE W/SAFETY COLLAR, 7/8 IN. TO 1-1/2 IN. SIZE RANGE	Z0132	HCS913	2	X			UPB
000718	019		HOSE, PREFORMED, SYNTHETIC RUBBER, 0.656 IN. ID, 2.187 IN. EFFECTIVE LG	31007	169192R1	1	X			UPB
000719	020		BOLT, MACHINE, UNC, 2A, SAE GRADE 5 STEEL, HEX HD, ZINC COATED, 3/8 IN. BY 2-1/2 IN. LG	80204	B18-2	2	X			UPB
000720	000		BOLT, MACHINE, UNC, 2A, SAE GRADE 5 STEEL, HEX HD, ZINC COATED, 3/8IN BY 3-1/2IN LG	80204	B18-2	2	X			UPB
000721	000		WASHER, LOCK, SPRING, STEEL, SINGLE TURN, RECTANGULAR SECTION, CAD PLATED, 3/8 IN. BOLT SIZE	K7766	1802	4	X			UPB
000722	021		GASKET, PAPER, ENGINE WATER OUTLET	31007	69 742 R1	1	X			UPB
000723	022		THERMOSTAT, FLOW CONTROL	Z0009	889622R92	1	X			UPB
000724	023		PIPE, WATER OUTLET	Z0009	857308R1	1	X			PB
CC0725	024		BOLT, MACHINE, UNF, 2A, SAE GRADE 5 STEEL, HEX HD, ZINC COATED, 5/16 IN. BY 1-1/4 IN. LG	80204	B18-2-1	2	X			UPB
000726	025		WASHER, LOCK, SPRING, STEEL, SINGLE TURN, RECTANGULAR SECTION, CAD PLATED, 5/16 IN. BOLT SIZE	17600	DX252	2	X			UPB
000727	000		PARTS KIT, ENGINE WATER PUMP (CONSISTS OF SERIALS 700, 701, 704, 705, 706, 708)	Z0009	858339R92	1	X			PB

GROUP AAP

RPS02031



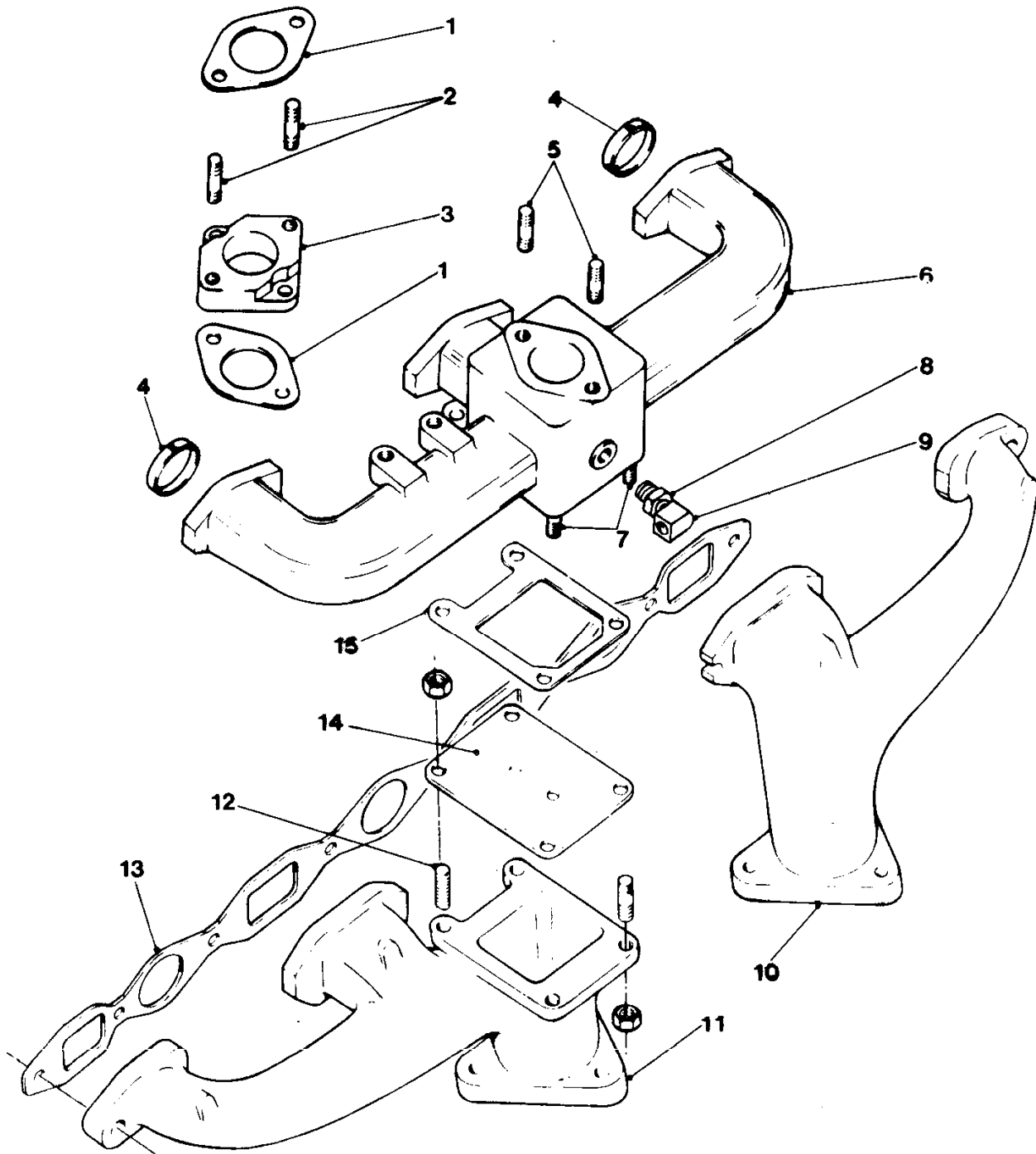
INTAKE AND EXHAUST MANIFOLDS EARLY TYPE.

SERIAL	NUMBER	GROUP & ITEM No.	DESIGNATION	MANUFACTURERS		NO OF	EXPL CLASS	LEVEL	REPAIR OF
				CODE	PART No.				
1	2	3	4	5	6	7	8		
000747	AAP		INTAKE AND EXHAUST MANIFOLDS EARLY TYPE						
000748	001		GASKET, ASBESTOS, 1.750IN ID, 3-3/4IN W, 1/32IN THK W/TWO 3/8IN BOLT HOLES	31007	61977H	2	X		UPB
000749	002		STUD, PLAIN, UNC-2A/UNF/2A STEEL, 3/8IN BY 1-3/8IN LG	Z0009	859 287 R1	2	X		UPB
000750	000		NUT, PLAIN, HEXAGON, UNF 2B, STEEL, FORMED, ZINC COATED, 3/8IN	80204	B18-2	4	X		UPB
000751	000		WASHER, LOCK, SPRING, STEEL, SINGLE TURN, RECTANGULAR SECTION, CAD PLATED, 3/8 IN. BOLT SIZE	K7766	1802	4	X		UPB
000752	003		ADAPTOR ASSEMBLY, CARBURETTOR	Z0009	859288R11	1	X		UPB
000753	004		PILOT, INTAKE MANIFOLD	31007	124482R1	2	X		UPB
000754	005		INTAKE MANIFOLD ASSEMBLY, WITH STUDS	Z0009	859286R91	1	N		UPB
000755	000		STUD, PLAIN, UNC2A/UNF2A, STEEL, 3/8IN BY 1-K/8IN LG O/A SCREWED 11/16IN AND 5/8IN	Z0009	855 277 R1	2	X		UPB
000756	000		STUD, PLAIN, UNC-2A/UNF/2A STEEL, 3/8IN BY 1-3/8IN LG	Z0009	859 287 R1	2	X		UPB
000757	006		BUSHING, PIPE, NPT, BRASS, 1/2IN. NPT/EXT, 1/4IN. NPT/INT, HEX OR OCT WEENCH FLATS	96906	MS51847-5	1	X		UPB
000758	007		ELBOW, PIPE TO TUBE, BRASS, 90 DEG, U/W 3/8IN OD TUBE, 1ST END 5/8IN UNF/P, 42 DEG SEAT, 2ND END 1/4IN NPTF/M	79470	100-40006	1	X		UPB
000759	008		WASHER, KEY, STEEL, 1 EXT KEY, 0.406IN HOLE DIA, 1.060IN O/A LG, 0.620IN W, 0.050IN WASHER THK, 0.340IN LG PREBENT KEY, 0.450IN CENTRE LINE TO INSIDE OF PREBENT KEY	Z0009	857 905 R1	2	X		UPB
000760	009		MANIFOLD EXHAUST MODIFY TO GROUP AAQ						
000761	000		STUD, PLAIN, UNC 2A/UNF 2A, STEEL, 3/8IN BY 1-15/16IN LG O/A, THREADED 11/10IN AND 5/8IN	Z0009	855276R1	2	X		UPB
000762	000		WASHER, FLAT, RD, STEEL, 3/8 IN., 7/8 IN. OD, 0.179 IN. THK	31007	127507H	8	X		UPB
000763	000		BOLT MACHINE UNC 2A SAE GRADE 5 STEEL HEX HD ZINC COATED 3/8IN BY 1-1/4IN LB	80204	B18-2	5	X		UPB

S E R I A L	N U M B E R	G R O U P & I T E M N o.	D E S I G N A T I O N	M A N U F A C T U R E R S		N O O F F	E X P L O S I O N C L A S S	L E V E L O F	R E P A I R
				C O D E	P A R T N o.				
1	2	3	4	5		6	7	8	
000764	000	BOLT, MACHINE, UNC, 2A, SAE GRADE 5 STEEL, HEX HD, ZINC COATED, 3/8IN BY 1-1/2IN LG	80204	B18-2		2	X	UPB	
000765	010	GASKET, INTAKE TO EXHAUST MANIFOLD	31007	69751R1		1	X	UPB	
000766	011	PLATE, HEAT BAFFLE	Z0009	853760R2		1	X	UPB	
000767	012	GASKET, MANIFOLD TO ENGINE (REFER SERIAL 77)				1			

GROUP AAQ

RPS02031

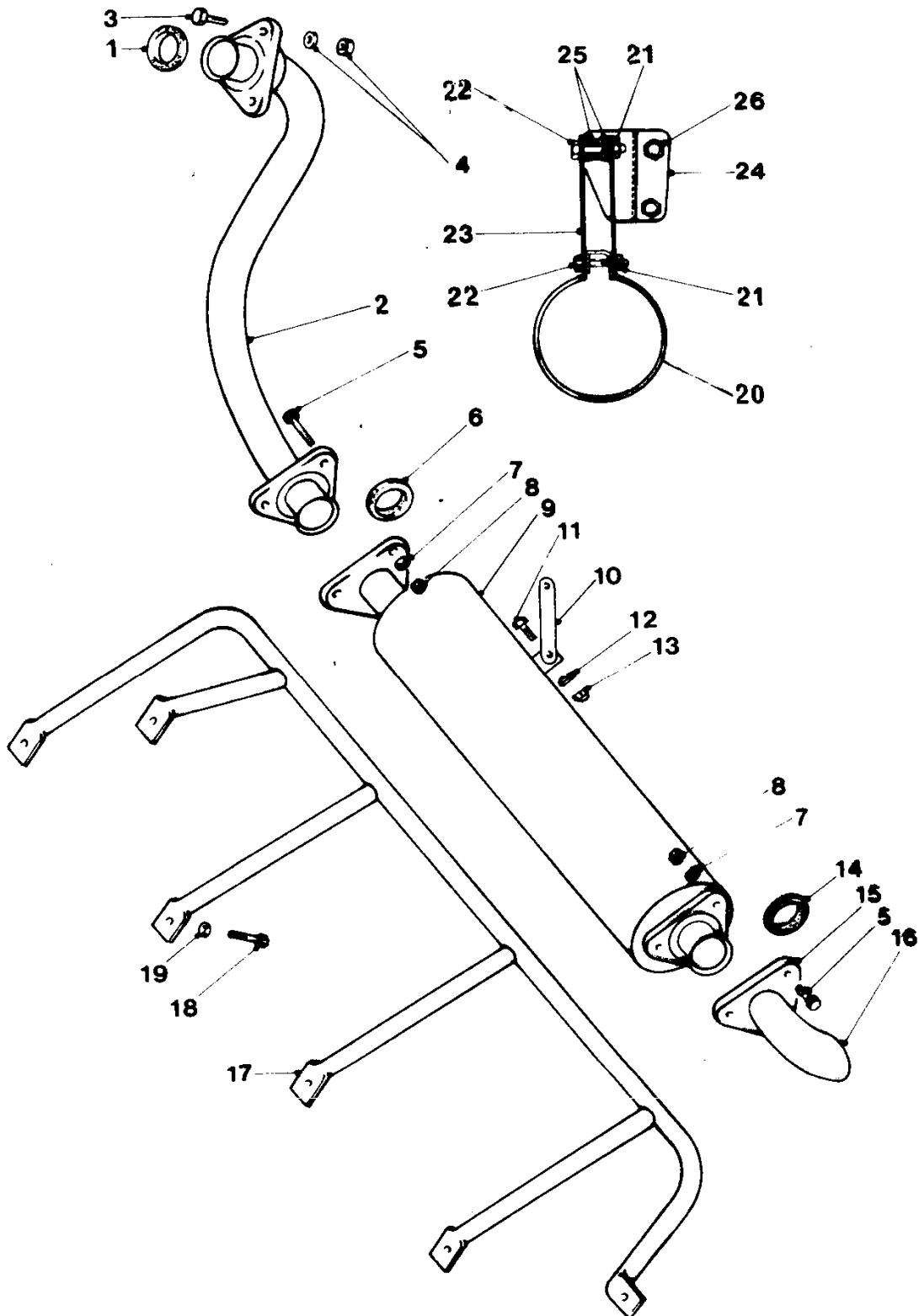


INTAKE AND EXHAUST MANIFOLDS LATER TYPE.

S E R I A L	N U M B E R	G R O U P & I T E M N O.	D E S I G N A T I O N	M A N U F A C T U R E R S		N O O F F	E X P L O S I O N	L E V E L	O F	R E P A I R
				C O D E	P A R T N O.					
1	2	3	4	5		6	7	8		
000787	AAQ	INTAKE AND EXHAUST MANIFOLDS LATER TYPE								
000788	001	GASKET, ASBESTOS, 1.750IN ID, 3-3/4IN W, 1/32IN THK W/TWO 3/8IN BOLT HOLES	31007	61977H		2	X		UPB	
000789	002	STUD, PLAIN, UNC-2A/UNF/2A STEEL, 3/8IN BY 1-3/8IN LG	Z0009	859 287 R1		2	X		UPB	
000790	000	NUT, PLAIN, HEXAGON, UNF 2B, STEEL, FORMED, ZINC COATED, 3/8IN	8Q204	B18-2		4	X		UPB	
000791	000	WASHER, LOCK, SPRING, STEEL, SINGLE TURN, RECTANGULAR SECTION, CAD PLATED, 3/8 IN. BOLT SIZE	K7766	1802		4	X		UPB	
000792	003	ADAPTOR ASSEMBLY, CARBURETTOR	ZQ009	859288R11		1	X		UPB	
000793	004	PILOT, INTAKE MANIFOLD	31007	124482R1		2	X		UPB	
000794	005	STUD, PLAIN, UNC-2A/UNF/2A STEEL, 3/8IN BY 1-3/8IN LG	Z0009	859 287 R1		2	X		UPB	
000795	006	INTAKE MANIFOLD ASSEMBLY, WITH STUDS	Z0009	859286R91		1	N		UPB	
000796	007	STUD, PLAIN, UNC2A/UNF2A, STEEL, 3/8IN BY 1-K/8IN LG O/A SCREWED 11/16IN AND 5/8IN	Z0009	855 277 R1		2	X		UPB	
000797	008	BUSHING, PIPE, NPT, BRASS, 1/2IN. NPT/EXT, 1/4IN. NPT/INT, HEX OR OCT WRENCH FLATS	96906	MS51847-5		1	X		UPB	
000798	009	ELBOW, PIPE TO TUBE, BRASS, 90 DEG, U/W 3/8IN OD TUBE, 1ST END 5/8IN UNF/F, 42 DEG SEAT, 2ND END 1/4IN NPT/F/M	79470	100-40006		1	X		UPB	
000799	010	MANIFOLD, EXHAUST, FRONT HALF	Z0009	882286R1		1	X		UPB	
000800	011	MANIFOLD, EXHAUST, REAR HALF	Z0009	882287R21		1	N		UPB	
000801	012	STUD, PLAIN, UNC 2A/UNF 2A, STEEL, 3/8IN BY 1-15/16IN LG O/A, THREADED 11/10IN AND 5/8IN	Z0009	855276R1		2	X		UPB	
000802	013	GASKET, MANIFOLD TO ENGINE (REFER SERIAL 77)				1				
000803	014	PLATE, HEAT BAFFLE	Z0009	853760R2		1	X		UPB	
000804	015	GASKET, INTAKE TO EXHAUST MANIFOLD	31007	69751R1		1	X		UPB	

GROUP AAR

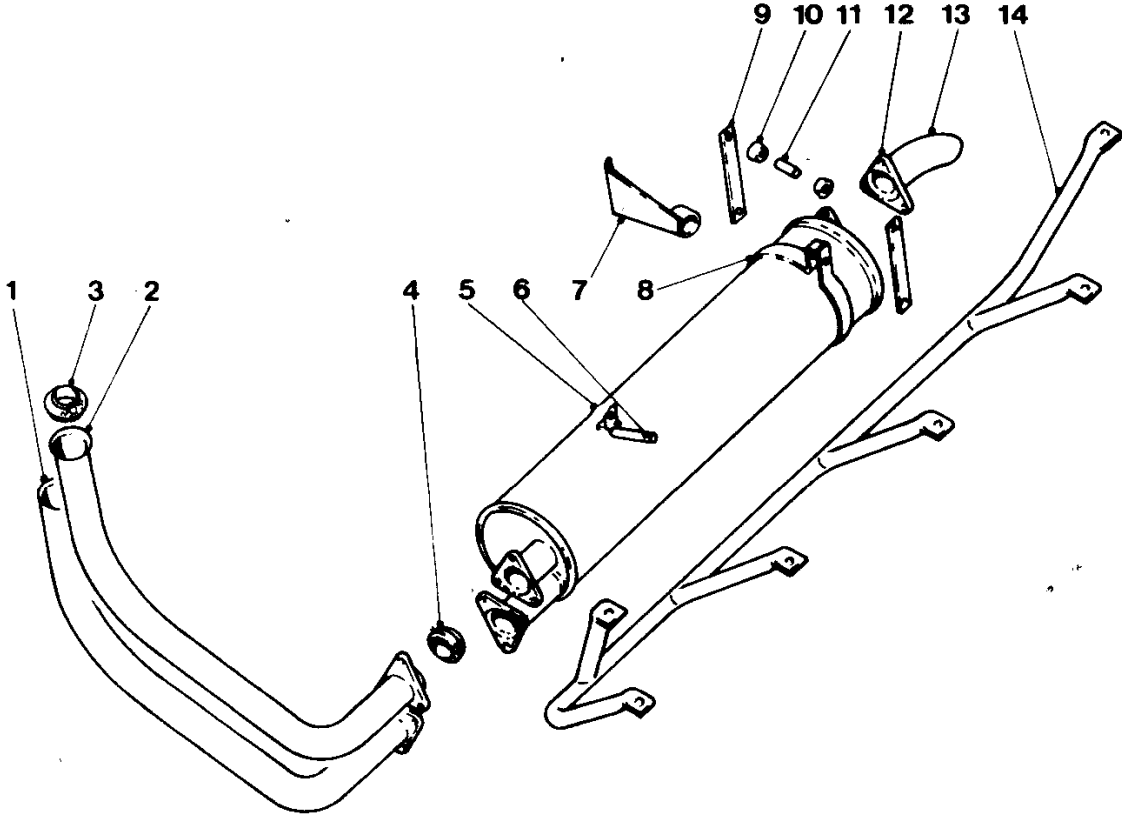
RPS02031



FLANGE TYPE SINGLE EXHAUST SYSTEM AND GUARD.

S E R I A L	N U M B E R	G R O U P & I T E M N o.	D E S I G N A T I O N	M A N U F A C T U R E R S		N O O F F	E X P. C L A S S	L E V E L	R E P A I R
				C O D E	P A R T N o.				
1	2	3	4	5	6	7	8		
000824	AA	FLANGE TYPE SINGLE EXHAUST SYSTEM AND GUARD							
000825	001	RETAINER, PACKING, CAST IRON, 2.438IN ID, 3IN OD, 0.594IN O/A H	31007	72 093 R1		1	X	UPB	
000826	002	PIPE, EXHAUST	Z2813	ADEV225-827		1	X	UPB	
000827	003	BOLT, MACHINE, UNF, 2A, R STEEL, HEX HD, COPPER PLATED, 3/8IN BY 2-1/4IN	31007	94122R1		3	X	UPB	
000828	004	NUT, PLAIN, HEXAGON, UNF, 3B, BRASS, 3/8 IN., 9/16 IN. W A/P, 21/64 IN. H	31007	120 903 H		5	X	UPB	
000829	005	BOLT, MACHINE, UNF, 2A, SAE GRADE 5 STEEL, HEX HD, ZINC COATED, 3/8IN BY 1-3/4IN LG	80204	B18-2		6	X	UPB	
000830	006	RING, PACKING, MUFFLER FLANGE	Z0020	ADEV225-828		1	X	UPB	
000831	007	WASHER, LOCK, SPRING, STEEL, SINGLE TURN, RECTANGULAR SECTION, CAD PLATED, 3/8 IN. BOLT SIZE	K7766	1802		6	X	UPB	
000832	008	NUT, PLAIN, HEXAGON, UNF 2B, STEEL, FORMED, ZINC COATED, 3/8IN	80204	B18-2		5	X	UPB	
000833	009	MUFFLER, EXHAUST, FLANGED, INLET AND OUTLET PIPES (REFER EME1 VEH G557-42)				1			
000834	010	LEAD, ELECTRICAL, GROUND TO CAB	Z0027	EG-8		1	X	UPB	
000835	011	BOLT MACHINE UNF 2A SAE GRADE 5 STEEL HEX HD ZINC COATED 1/4IN BY 1IN LG	80204	B18-2		1	X	UPB	
000836	012	WASHER, LOCK, SPRING STEEL, SINGLE TURN, RECTANGULAR SECTION, CAD PLATED, 1/4IN BOLT SIZE	K7766	1802		1	X	UPB	
000837	013	NUT, PLAIN, HEXAGON, UNF, 2B, A STEEL LOCK, ZINC COATED, 1/4 IN.	Z0027	156644		1	X	UPB	
000838	014	RING, EXHAUST PIPE	Z0020	ADEV94-346		1	X	UPB	
000839	015	FLANGE, PIPE, STEEL, TRIANGULAR SHAPE 2.330 IN. HOLE DIA	Z2813	ADEV94-345		1	X	UPB	
000840	016	PIPE, EXHAUST	Z0020	ADEV94-3		1	X	UPB	
000841	017	GUARD, MUFFLER	Z0020	ADEV225-41		1	X	FB	
000842	018	SCREW, MACHINE, UNF, 2A, SAE GRADE 5 STEEL, HEX HD, ZINC COATED, 3/8IN BY 1IN LG	80204	B18-2		12	X	FB	

S E R I A L	N U M B E R	G R O U P & I T E M N o.	D E S I G N A T I O N	M A N U F A C T U R E R S		N O O F F	E X P. C L A S S I F I C A T I O N	R E P A I R
				C O D E	P A R T N o.			
1	2	3	4	5		6	7	8
000843	019	WASHER, LOCK, SPRING, STEEL, SINGLE TURN, RECTANGULAR SECTION, CAD PLATED, 3/8 IN. BOLT SIZE	K7766	1802		12	X	FB
000844	020	CLAMP MUFFLER SUPPORT				1		
000845	021	NUT, SELF-LOCKING, HEXAGON, UNF, 2B P STEEL, TYPE P, ZINC COATED, 3/8IN W/NYLON INSERT	Z0635	NPD126/11/6		1	X	UPB
000846	022	BOLT, MACHINE, UNF, 2A, SAE GRADE 5 STEEL, HEX HD, ZINC COATED 3/8IN BY 2-1/4IN LG	8Q204	B18-2		1	X	UPB
000847	023	BRACKET MUFFLER SUPPORT	Z0020	ADEV225-830		2	X	FB
000848	024	BRACKET ASSY MUFFLER SUPPORT				1		
000849	025	BUSHING, RUBBER, SYNTHEIC RUBBER, TAPEDEBOTH ENDS, 5/8 IN. ID, 1-1/16 IN. MIN, 1-11/64 IN. MAX OD, 47/64 IN. O/A LG, 17/64 IN. LG SHORT TAPER, 15/32 IN. LG LONG TAPER	31007	72696r1		2	X	UPB
000850	026	BOLT, MACHINE, UNF, 2A, SAE GRADE 5 STEEL, HEX HD, ZINC COATED, 3/8IN BY 1-3/4IN LG	8Q204	B18-2		2	X	UPB
000851	000	NUT, PLAIN, HEXAGON, UNF 2B, STEEL, FORMED, ZINC CCATED, 3/8IN	8Q204	B18-2		2	X	UPB
000852	000	WASHER, LOCK, SPRING, STEEL, SINGLE TURN, RECTANGULAR SECTION, CAD PLATED, 3/8 IN. BOLT SIZE	K7766	1802		2	X	UPB



DUAL EXHAUST SYSTEM.

S E R I A L	N U M B E R	G R O U P & I T E M N o.	D E S I G N A T I O N	M A N U F A C T U R E R S		N O O F F	E X P. C L A S S	L E V E L	O F	R E P A I R
				C O D E	P A R T N o.					
1	2	3	4	5	6	7	8			
C00871	AAS	DOAL EXHAUST SYSTEM								
000872	001	PIPE, EXHAUST, REAR	Z0020	ADEV94-344-2	1	X	UFB			
C00873	000	BOLT, MACHINE, UNF, 2A, R STEEL, HEX HD, COPPER PLATED, 3/8IN BY 2-1/4IN	31007	94122R1	6	X	UFB			
000874	000	NUT, PLAIN, HEXAGON, UNF, 3B, BRASS, 3/8 IN., 9/16 IN. W A/P, 21/64 IN. H	31007	120 903 H	12	X	UFB			
C00875	002	PIPE EXHAUST, FRONT	Z0020	ADEV91-344-1	1	X	UFB			
000876	003	RING, EXHAUST PIPE, SEAL	Z0009	883656R1	2	X	UFB			
C00877	004	RING, EXHAUST PIPE	Z0020	ADEV94-346	3	X	UFB			
000878	005	MUFFLER, EXHAUST	Z0020	ADEV94-349	1	X	UFB			
C00879	000	BOLT, MACHINE, UNF, 2A, SAE GRADE 5 STEEL, HEX HD, ZINC COATED, 3/8IN BY 1-3/4IN LG	80204	B18-2	3	X	UFB			
000880	000	NUT, PLAIN, HEXAGON, SNF 2B, STEEL, FORMED, ZINC CCATED, 3/8IN	80204	B18-2	9	X	UFB			
C00881	000	WASHER, LOCK, SPRING, STEEL, SINGLE TURN, RECTANGUIAR SECTION, CAD PLATED, 3/8 IN. BOLT SIZE	K7766	1802	3	X	UFB			
000882	006	LEAD, ELECTRICAL, GROUND TO CAB	Z0027	EG-8	1	X	UFB			
000883	000	BOLT MACHINE UNF 2A SAE GRADE 5 STEEL HEX HD ZINC COATED 1/4IN BY 1IN LG	80204	B18-2	1	X	UFB			
000884	000	WASHER, LOCK, SPRING STEEL, SINGLE TURN, RECTANGUIAR SECTION, CAD PLATED, 1/4IN BOLT SIZE	K7766	1802	1	X	UFB			
000885	000	NUT, PLAIN, HEXAGON, UNF, 2B, A STEEL LOCK, ZINC COATED, 1/4 IN.	Z0027	156614	1	X	UFB			
000886	007	BRACKET, MUFFLER SUPPCRT ASSEMBLY	Z0020	ADEV225-38-2	1	X	PB			
C00887	000	SCREW, MACHINE, UNF, 2A, SAE GRADE 5 STEEL, HEX HD, ZINC COATED, 3/8IN BY 1IN LG	80204	B18-2	2	X	PB			
000888	000	NUT, PLAIN, HEXAGON, UNF 2B, STEEL, FORMED, ZINC CCATED, 3/8IN	80204	B18-2	2	X	PB			
000889	000	WASHER, LOCK, SPRING, STEEL, SINGLE TURN, RECTANGUIAR SECTION, CAD PLATED, 3/8 IN. BOLT SIZE	K7766	1802	2	X	PB			
000890	008	CLAMP, LOOP, STEEL, 7 IN. ID CF LOOP	Z0020	ADEV94-348	1	X	PB			

S E R I A L	N U M B E R	G R O U P & I T E M N o.	D E S I G N A T I O N	M A N U F A C T U R E R S		N O O F F	I X P. C L A S S S	L E V E L	R E P A I R
				C O D E	P A R T N o.				
1	2	3	4	5		6	7	8	
000891	000	BOLT, MACHINE, UNF, 2A, SAE GRADE 5 STEEL, HEX HD, ZINC COATED 3/8IN BY 2-1/4IN LG	80204	B18-2		1	X	UFB	
000892	000	NUT, SELF-LOCKING, HEXAGON, UNF, 2B P STEEL, TYPE P, ZINC COATED, 3/8IN W/NYLON INSERT	Z0635	NPD126/11/6		1	X	UFB	
000893	009	BRACKET, MUFFLER SUPPCRT	31007	169447R1		2	X	PB	
000894	000	BOLT, MACHINE, UNF, 2A, SAE GRADE 5 STEEL, HEX HD, ZINC COATED 3/8IN BY 2-1/4IN LG	80204	B18-2		1	X	UFB	
000895	000	NUT, SELF-LOCKING, HEXAGON, UNF, 2B P STEEL, TYPE P, ZINC COATED, 3/8IN W/NYLON INSERT	Z0635	NPD126/11/6		1	X	UFB	
000896	010	BUSHING, RUBBER, SYNTHEETIC RUBBER, TAPEREDBOTH ENDS, 5/8 IN. ID, 1-1/16 IN. MIN, 1-11/64 IN. MAX OD, 47/64 IN. O/A LG, 17/64 IN. LG SHORT TAPER, 15/32 IN. LG LONG TAPER	31007	72696R1		2	X	UFB	
000897	011	SPACER, SLEEVE STEEL, 0.625 IN OD, 1.312 IN LG, 0.104 IN THK MATERIAL	Z0009	881860R1		1	X	UFB	
000898	012	FLANGE, PIPE, STEEL, TRIANGULAR SHAPE 2.33C IN. HOLE DIA	Z2813	ADEV94-345		1	X	UFB	
000899	013	PIPE, EXHAUST	Z0020	ADEV94-3		1	X	UFB	
000900	000	SCREW, MACHINE, UNF, 2A, SAE GRADE 5 STEEL, HEX HD, ZINC COATED, 3/8IN BY 1IN LG	80204	B18-2		12	X	PB	
000901	000	WASHER, LOCK, SPRING, STEEL, SINGLE TURN, RECTANGULAR SECTION, CAD PLATED, 3/8 IN. BOLT SIZE	K7766	1802		12	X	PB	
000902	014	GUARD, MUFFLER	Z0020	ADEV225-41		1	X	B	

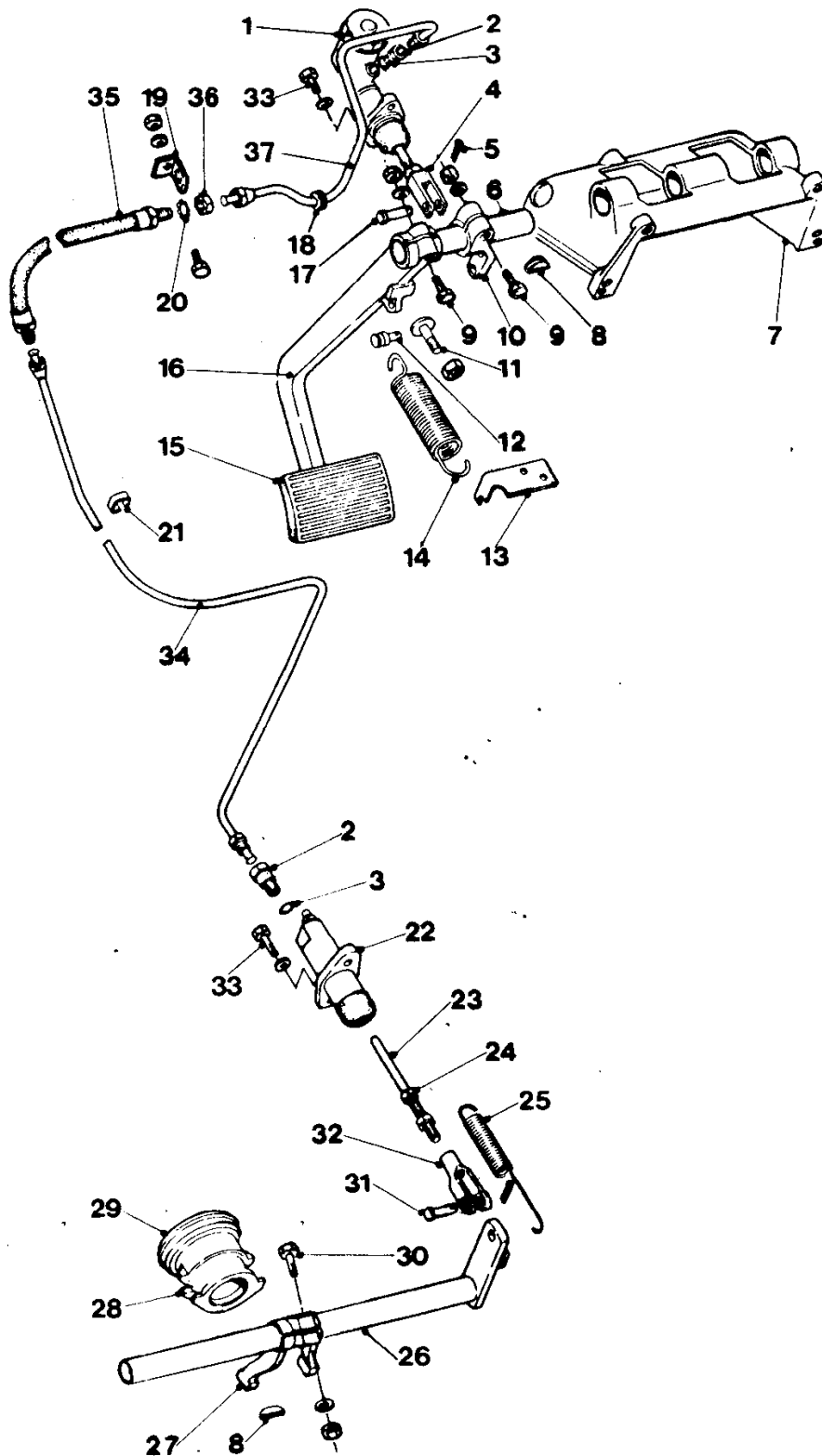


SERIAL NUMBER	GROUP & ITEM No.	DESIGNATION	MANUFACTURERS		NO OF	EXPL CLASS	LEVEL	OF REPAIR
			CODE	PART No.				
1	2	3	4	5	6	7	8	
C00921	BA	CLUTCH						
000922	001	PRESSURE PLATE ASSEMBLY 12 IN	Z0009	859327R91	1	N	PB	
000923	002	RELEASE LEVER PLATE (ALSO PART OF SERIAL 942)	Z0009	859380R1	1	X	B	
000924	003	SPRING, ANTI-RATTLE CLUTCH (ALSO PART OF SERIAL 942)	Z0009	859383R1	4	X	B	
000925	004	COVER CLUTCH	Z0009	859376-R11	1	X	B	
000926	000	PIN, SHOULDER, HEADLESS STEEL, CASEHARDENED, 7/16IN DIA OF SHOULDER, 0.246IN DIA OF SHANK, 0.870IN LG C/A	Z0009	859323R2	4	X	B	
000927	000	PIN, SHOULDER, HEADLESS STEEL, CASEHARDENED, 7/16IN DIA OF SHOULDER, 5/16IN DIA OF SHANK, 0.870IN LG Q/A	Z0009	857486R3	4	X	B	
000928	005	SPRING, LEVER RETURN (ALSO PART OF SERIAL 942)	Z2822	50942	4	X	B	
000929	006	FERRULE, CLUTCH (ALSO PART OF SERIAL 942)	Z2822	52677	4	X	B	
000930	007	BOLT, STRAP (ALSO PART OF SERIAL 942)	Z2822	K24404	4	X	B	
000931	008	SPRING, HELICAL, COMPRESSION STEEL, 2.678IN. O/A LG BY 1.140IN. OD BY 0.820IN. ID (ALSO PART OF SERIAL 942)	Z0009	859379-R1	15	X	B	
000932	009	PRESSURE PLATE	Z0009	859378R1	1	X	B	
C00933	010	NUT, EYE BOLT (USE SERIAL 942)			4			
C00934	011	LEVER CLUTCH RELEASE (ALSO PART OF SERIAL 942)	Z0009	859382R1	4	X	B	
C00935	012	EYE BOLT (USE SERIAL 942)			4			
000936	000	EYEBOLT AND NUT ASSEMBLY	Z0009	859384R11	4	X	B	
C00937	013	PIN, STRAIGHT (USE SERIAL 942)			4			
000938	014	STRUT, CLUTCH RELEASE LEVER (ALSO PART OF SERIAL 942)	Z0009	857500R1	4	X	B	
C00939	015	DISC, CLUTCH	Z0009	859328R1	1	N	PB	
000940	000	PARTS KIT, FRICTION CLUTCH (DISC LININGS AND RIVETS)	Z0009	859386R11	1	X	B	
000941	016	BEARING, BALL, ANNULAR, GROUND, SINGLE ROW, RADIAL, NON-LOADING GROOVE, RINGS OVERLAPPING, 0.9843 IN. ID BY 2.0472 IN. OD BY 0.625 O/A W	43334	8505	1	X	PB	

S E R I A L	N U M B E R	G R O U P & I T E M N o.	D E S I G N A T I O N	M A N U F A C T U R E R S		N O O F	E X P L O S I O N L E V E L	R E P A I R O F
				C O D E	P A R T N o.			
1	2	3	4	5	6	7	8	
000942	000	PARTS KIT, CLUTCH (CONSISTS OF SERIALS 923, 924, 928, 929, 930, 931, 933 934, 935, 937 AND 938)	Z0064	1204K	1	X	PB	
000943	000	WASHER, LOCK, SPRING, STEEL, SINGLE TURN, RECTANGULAR SECTION, CAD PLATED, 3/8 IN. BOLT SIZE	K7766	1802	8	X	PB	
000944	000	SCREW, MACHINE, UNC, 2A, SAE GRADE 5 STEEL, HEX HD, ZINC COATED, 3/8IN BY 3/4IN LG	80204	B18-2	9	X	PB	

GROUP BB

RPS02031



CLUTCH CONTROLS.

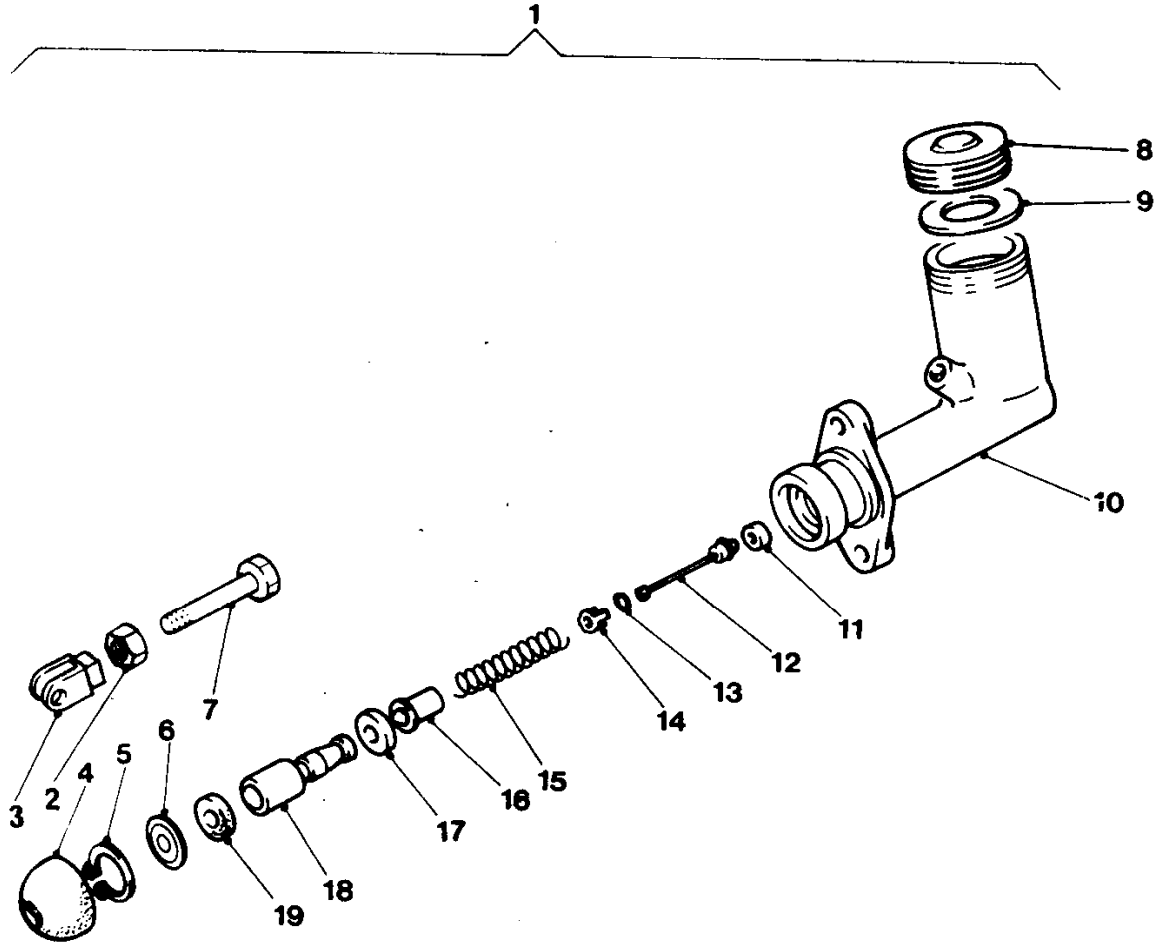
S E R I A L	N U M B E R	G R O U P & I T E M N O.	D E S I G N A T I O N	M A N U F A C T U R E R S		N O O F	E X P. C L A S S	L E V E L	O F	R E P A R
				C O D E	P A R T N O.					
1	2	3	4	5		6	7	8		
000964	BB	CLUTCH CONTROLS								
000965	001	MASTER CYLINDER CLUTCH (REFER GROUP BBA)								
000966	002	REDUCER, TUBE			Z0009	856799R1	2	X		UPB
000967	003	WASHER, FLAT, RD, COPPER, 19/32 IN. OD, 25/64 IN. ID, BY 1/32 IN. THK			U0026	378716	2	X		UPB
000968	004	PUSH ROD (REFER GROUP BBA)								
000969	005	PIN, COTTER SPLIT, MILD STEEL, 3/32IN BY 1IN LG			K7766	1574	1	X		UPB
000970	006	CROSSSHAFT, CLUTCH			Z0020	856735-R1	1	X		B
000971	007	BRACKET ASSEMBLY, PEDAL AND MASTER CYLINDER MOUNTING			Z0009	856591R11	1	X		B
000972	000	SCREW, MACHINE, UNF, 2A, SAE GRADE 5 STEEL, HEX HD, ZINC COATED, 3/8IN BY 1IN LG			80204	B18-2	4	X		FB
000973	000	WASHER, LOCK, SPRING, STEEL, SINGLE TURN, RECTANGULAR SECTION, CAD PLATED, 3/8 IN. BOLT SIZE			K7766	1802	4	X		FB
000974	008	KEY, WOODRUFF STEEL, WHITNEY NO A, 7/8IN BY 1/4IN THK			K7766	46PT1	2	X		FB
000975	009	BOLT, MACHINE, UNF, 2A, SAE GRADE 5 STEEL, HEX HD, ZINC COATED, 3/8IN BY 2IN LG			80204	B18-2	2	X		UPB
000976	010	LEVER, REMOTE CONTROL CLUTCH			Z0020	ADEV225-218	1	X		B
000977	011	BUMPER, RUBBER CLUTCH PEDAL			31007	162550R91	1	X		UPB
000978	000	NUT, PLAIN, HEXAGON, UNF, 2B, STEEL, FORMED, ZINC COATED, 5/16 IN.			Z1272	034-079	1	X		UPB
000979	012	PIN, GROOVED, HEADLESS CLUTCH PEDAL SPRING			Z0009	886647R2	1	X		UPB
000980	013	ANCHOR, SPRING, CLUTCH PEDAL			Z0009	886646R1	1	X		FB
000981	014	SPRING, HELICAL, EXTENSION CLUTCH PEDAL RETURN			Z0009	886648R1	1	X		UPB
000982	015	PAD, PEDAL, BRAKE AND CLUTCH			Z0009	853837R1	1	X		UPB
000983	016	PEDAL, CONTROL, CLUTCH			Z0009	856711R1	1	X		B
000984	017	PIN, STRAIGHT, HEADED, STEEL, CAD OR ZINC COATED, 3/8 IN. DIA BY 1-3/32 IN. LG DRILLED FOR COTTER PIN			24617	138084	1	X		UPB
000985	000	PIN, COTTER SPLIT, MILD STEEL, 3/32IN BY 1IN LG			K7766	1574	1	X		UPB
000986	018	GROMMET (NOT USED VIDE EMEI VEH G557-17)								

S E R I A L	N U M B E R	G R O U P & I T E M N o.	D E S I G N A T I O N	M A N U F A C T U R E R S		N O. O F	E X P L O S I O N L E V E L	O F	R E P A I R
				C O D E	P A R T N o.				
1	2	3	4	5		6	7	8	
CC0987	019	BRACKET, ANGLE, CLUTCH CONTROL PIPING, 22813, ADE (V) 225-109	Z2813	ADE(V) 225-109		1	X		FB
C00988	000	BOLT MACHINE UNF 2A SAE GRADE 5 STEEL HEX HD ZINC COATED 1/4IN BY 1IN LG	80204	B18-2		1	X		UPB
C00989	000	WASHER, LOCK SPRING STEEL, SINGLE TURN, SQ SECTICN, CAD PLATED, 1/4 IN. BOLT SIZE	Z0745	1-4BOLTDIASQSECT		1	X		UPB
000990	000	NUT, PLAIN, HEXAGON, UNF, 2B, STEEL, GRADE 0, ZINC COATED, 1/4IN	ZQ544	B147		1	X		UPB
000991	020	WASHER, LOCK STEEL, SHAKEPROOF, CAD PLATED, EXTERNAL TYPE 11, 7/16IN BOLT SIZE	ZC088	1122		1	X		UPB
C00992	021	CLIP, SPRING TENSION, STEEL, 7/16IN. DIA LOOP BY 5/16IN.W BY 5/8IN.LG	Z0020	ADEV225-156		2	X		UPB
000993	022	CLUTCH SLAVE CYLINDER (REFER GROUP BBB)							
000994	023	PUSH ROD, SLAVE CYLINDER CLUTCH	Z0020	TSEV93-618		1	X		UPB
000995	024	NUT, PLAIN, HEXAGON, UNF 2B, STEEL, FORMED, ZINC COATED, 7/16IN	80204	B18-2		2	X		UPB
000996	025	SPRING, HELICAL, EXTENSION, PEDAL RETURN	Z0009	859756R1		1	X		UPB
C00997	026	LEVER AND SHAFT ASSEMBLY CLUTCH RELEASE	Z0009	859755R11		1	X		B
C00998	027	FORK, CLUTCH RELEASE	Z0009	885526R1		1	X		B
000999	028	SLEEVE, CLUTCH RELEASE BEARING	31007	3206705-R91		1	X		FB
001000	029	BEARING, BALL, THRUST, CLUTCH RELEASE	Z0009	386790C91		1	X		FB
001001	030	BOLT, MACHINE, UNF, 2A, SAE GRADE 5 STEEL, HEX HD, ZINC COATED, 3/8IN BY 1-3/4IN LG	80204	B18-2		1	X		FB
C01002	000	NUT, PLAIN, HEXAGON, UNF 2B, STEEL, FORMED, ZINC COATED, 3/8IN	80204	B18-2		1	X		FB
001003	000	WASHER, LOCK, SPRING, STEEL, SINGLE TURN, RECTANGULAR SECTION, CAD PLATED, 3/8 IN. BOLT SIZE	K7766	1802		1	X		FB
001004	031	PIN, STRAIGHT, HEADED, STEEL, CAD OR ZINC COATED, 3/8 IN. DIA BY 1-3/32 IN. LG DRILLED FOR COTTER PIN	24617	138084		1	X		UPB

S E R I A L	N U M B E R	G R O U P & I T E M N o.	D E S I G N A T I O N	M A N U F A C T U R E R S		N O O F F	I X P C L A S S	L E V E L	O F	R E P A I R
				C O D E	P A R T N o.					
1	2	3	4	5		6	7	8		
001005	032	CLEVIS, ROD END,	31007	10764V		1	X	UPB		
001006	033	SCREW, MACHINE, UNC, 2A, SAE GRADE 5 STEEL, HEX HD, ZINC COATED, 5/16 IN. BY 1 IN. LG	80204	B18-2		2	X	UPB		
001007	000	WASHER, LOCK, SPRING, STEEL, SINGLE TURN, RECTANGULAR SECTION, CAD PLATED, 5/16 IN. BOLT SIZE	17600	DX252		2	X	UPB		
001008	034	TUBE ASSEMBLY, METAL CLUTCH SLAVE CYLINDER	Z0020	ADEV225-107		1	X	PB		
001009	035	HOSE ASSEMBLY, RUBBER, HIGH PRESSURE, HYDRAULIC SYSTEM	Z0009	858599R91		1	X	UPB		
001010	036	NUT, PLAIN, HEXAGON, UNF 2B A STEEL, LOCK, ZINC COATED, 7/16IN	U0724	7400563		1	X	UPB		
001011	037	TUBE ASSEMBLY, METAL CLUTCH PEDAL CYLINDER	Z0020	ADEV225-106		1	X	UPB		

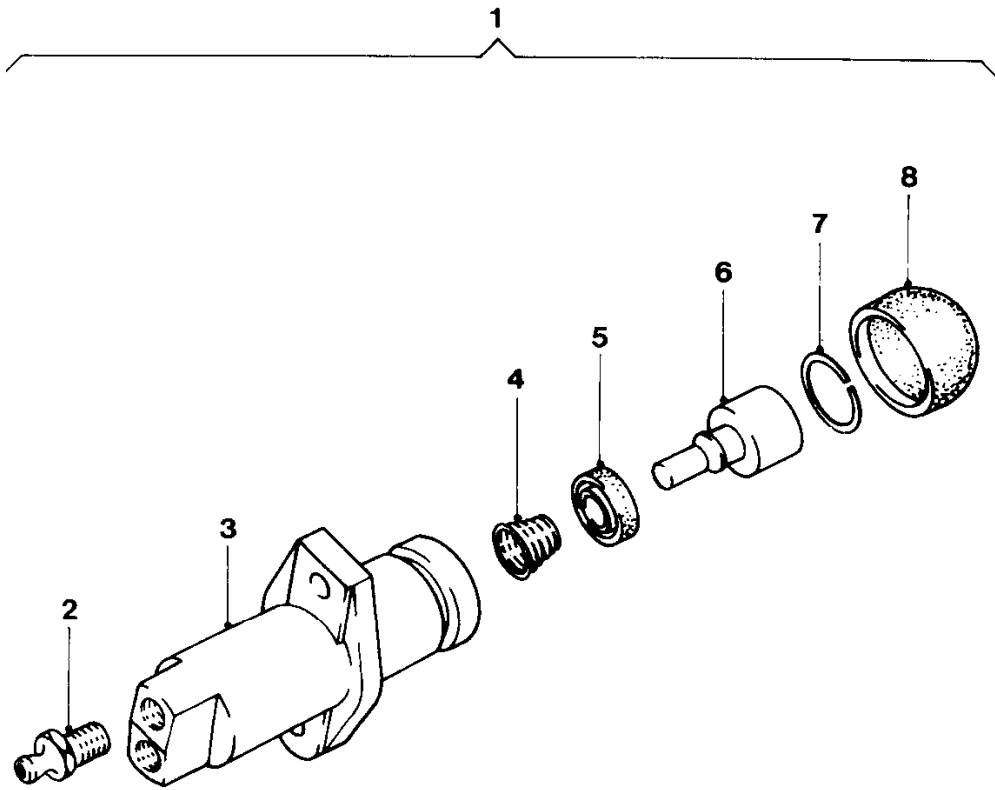
GROUP BBA

RPS02031



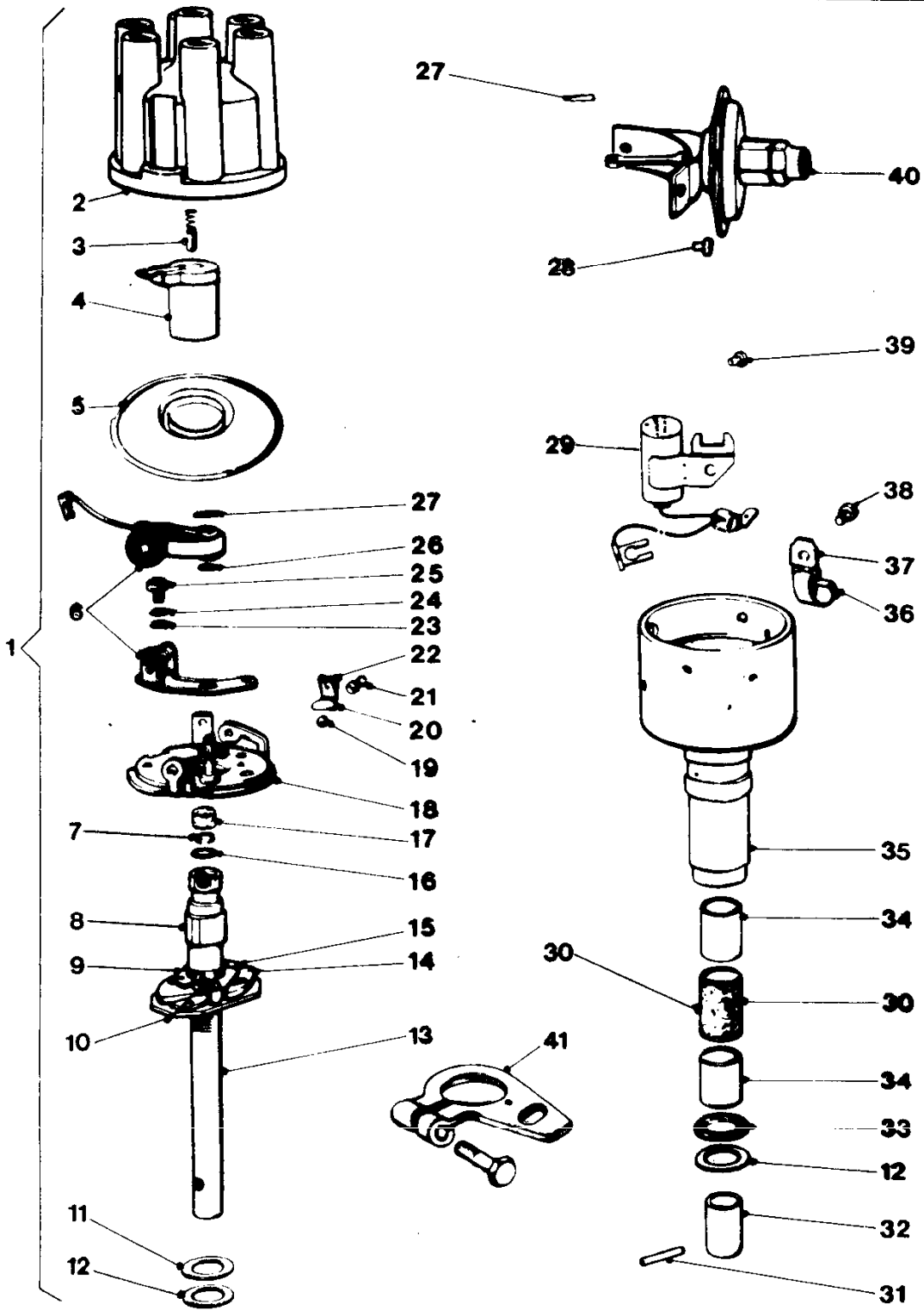
CLUTCH MASTER CYLINDER.

SERIAL	NUMBER	GROUP & ITEM No.	DESIGNATION	MANUFACTURERS		NO OF	EXPL CLASS	LEVEL	OF REPAIR
				CODE	PART No.				
1	2	3	4	5	6	7	8		
001031	BBA		CLUTCH MASTER CYLINDER						
001032	001		MASTER CYLINDER, CLUTCH (LESS PUSH ROD)	Z0160	P4977	1	N	UPB	
001033	002		NUT, PLAIN, HEXAGON, UNF, 2B, STEEL, FORMED, ZINC COATED, 5/16 IN.	Z1272	034-079	1	X	UPB	
001034	003		CLEVIS, ROD END. MASTER CYLINDER PUSH ROD	U0026	373303	1	X	UPB	
001035	004		BOOT, DUST AND MOISTURE SEAL, HYDRAULIC BRAKE MASTER CYLINDER (ALSO PART OF SERIAL 1051)	U0026	363602	1	X	UP	
001036	005		RING, RETAINING, MASTER CYLINDER PUSH ROD (ALSO PART OF SERIAL 1051)	U0026	62270652	1	X	UP	
001037	006		WASHER, RETAINING, BRAKE AND CLUTCH CYLINDER	U1725	16L50195	1	X	UPB	
001038	007		PUSH ROD, HYDRAULIC CLUTCH CYLINDER	31007	856717R1	1	X	UPB	
001039	008		FILLER CAP ASSEMBLY, FLUID RESERVE TANK	Z0160	P4982	1	X	UPB	
001040	009		WASHER, CAP, SUPPLY TANK, BRAKE AND CLUTCH RESEVOIR (ALSO PART OF SERIAL 1051)	U0026	64671031	1	X	UP	
001041	010		BODY CYLINDER			1			
001042	011		SEAL VALVE (USE SERIAL 1051)			1			
001043	012		STEM, VALVE	Z0009	857670R1	1	X	UPB	
001044	013		WASHER, SPRING TENSION, STEEL, 0.300 IN. ID, C.410 IN. OD BY 0.002 IN. THK (ALSO PART OF SERIAL 1051)	U0026	378960	1	X	UP	
001045	014		SPACER, VALVE, CLUTCH CONTROL (ALSO PART OF SERIAL 1051)	Z0160	P4985	1	X	UP	
001046	015		SPRING, HELICAL, COMPRESSION CLUTCH MASTER CYLINDER	31007	857673R1	1	X	UPB	
001047	016		RETAINER, SPRING CLUTCH MASTER CYLINDER	Z0160	P4984	1	X	UPB	
001048	017		SEAL PLUNGER (USE SERIAL 1051)			1			
001049	018		PLUNGER, CLUTCH MASTER CYLINDER	Z0020	885628R1	1	X	UPB	
001050	019		SEAL END						
001051	000		PARTS KIT, HYDRAULIC MASTER CYLINDER ASSEMBLY (CONSISTS OF SERIALS 1035, 1036, 1040, 1042, 1044, 1045, 1048)	U1030	601611	1	X	UPB	



CLUTCH SLAVE CYLINDER.

S E R I A L	N U M B E R	G R O U P & I T E M N o.	D E S I G N A T I O N	M A N U F A C T U R E R S		N O O F F	E X P C L A S S	L E V E L	O F	R E P A I R
				C O D E	P A R T N o.					
1	2	3	4	5	6	7	8			
001070	BBB	CLUTCH SLAVE CYLINDER								
001071	001	SLAVE CYLINDER ASSEMBLY, CLUTCH 57R92	Z0009	859757R92	1	N	UFB			
001072	002	BLEEDER VALVE, HYDRAULIC SYSTEM, HEX, 7/16 IN. AF, 3/8 IN. UNF	U1030	556508	1	X	UF			
001073	003	BODY CYLINDER			1					
001074	004	SPRING, HELICAL, COMPRESSION, CLUTCH SLAVECYLINDER	U1269	6MT9GB378 802	1	X	UFB			
001075	005	SEAL PISTON (USE SERIAL 1079)			1					
001076	006	PISTON (USE SERIAL 1079)			1					
001077	007	RING SNAP (USE SERIAL 1079)			1					
001078	008	BOOT, DUST AND MOISTURE SEAL, CLUTCH SLAVE CYLINDER	Z0160	P4442	1	X	UF			
001079	000	PARTS KIT, SLAVE CYLINDER CLUTCH (CONSISTS OF SERIALS 1075 TO 1077)	Z0009	859004R93	1	X	UFB			

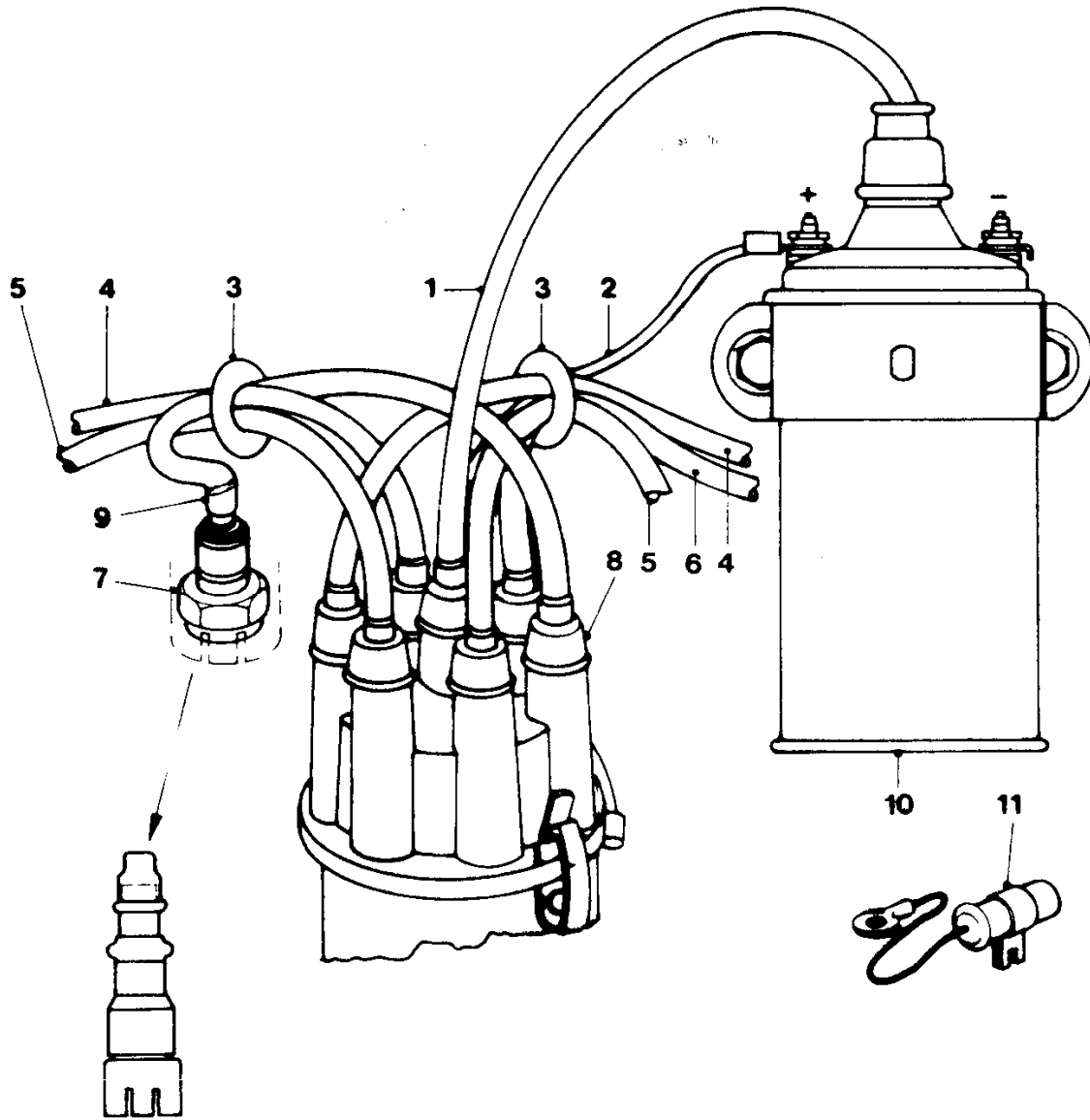


DISTRIBUTOR CURRENT TYPE.

S E R I A L	N U M B E R	G R O U P & I T E M N o.	D E S I G N A T I O N	M A N U F A C T U R E R S		N O. O F F	E X P. C L A S S	L E V E L	O F	R E P A I R
				C O D E	P A R T N o.					
1	2	3	4	5		6	7	8		
001199	CA	DISTRIBUTOR CURRENT TYPE								
001200	001	DISTRIBUTOR, IGNITION SYSTEM	Z0020	ADEV94-307		1	N			UPB
001201	002	CAP, IGNITION DISTRIBUTION	Z0666	GB75		1	X			UPB
001202	003	BRUSH, ELECTRICAL CONTACT, DISTRIBUTOR CAP	Z0666	1904321010		1	X			UPB
001203	004	ROTOR, IGNITION DISTRIBUTOR	Z0666	GB599		1	X			UPB
001204	005	COVER, DUST, CONTACT BREAKER	Z0009	859257-R91		1	X			UPB
001205	000	SPRING, CONTACT								
001206	006	CONTACT SET, DISTRIBUTOR (ALSO PART OF SERIAL 1219)	Z0666	1237013054		1	X			UPB
001207	007	WASHER "O" (NOT SERVICED SEPARATELY, USE SERIAL 1248)								
001208	008	CAM, IGNITION, DISTRIBUTOR	Z0666	9231062200		1	X			B
001209	009	SPACER, RING	Z0666	1230209001		1	X			B
001210	010	SPRING, HELICAL, EXTENSION DISTRIBUTOR, LIGHT	Z0666	1234650146		1	X			B
001211	000	SPRING, HELICAL, EXTENSION DISTRIBUTOR, HEAVY	Z0666	1234650147		1	X			B
001212	011	SHIM	D8015	WMS552-99X		2	X			B
001213	012	SHIM, STEEL, 0.748IN OD, 0.512IN ID, 0.004IN THK	Z0009	859226R1		1	X			B
001214	013	SHAFT ASSEMBLY, DISTRIBUTOR, W/DRIVING PLATE	Z0666	1236108015		1	X			B
001215	014	WEIGHTS KIT, DISTRIBUTOR	31007	886793R91		1	X			B
001216	015	RING, RETAINING	Z0009	886782R1		2	X			B
001217	016	WASHER (USE SERIAL 1248)				1				
001218	017	FELT PAD (USE SERIAL 1248)				1				
001219	018	PLATE, IGNITION CONTACT BREAKER (INCLUDES SERIALS 1206, 1220 AND 1229)	Z0666	1237110043		1	X			FB
001220	019	BALL, BEARING, STEEL, 6MM (ALSO PART OF SERIAL 1219)	K6325	B117		1	X			FB
001221	020	LUG (NOT SERVICED SEPARATELY)				1				
001222	021	SCREW WASHER (USE SERIAL 1248)				1				
001223	022	SPRING CUP, BALL RETAINER	Z0009	859244-R1		1	X			B
001224	023	WASHER FIBRE (USE SERIAL 1247)				1				
001225	024	WASHER FLAT (USE SERIAL 1247)				1				

S E R I A L	N U M B E R	G R O U P & I T E M N o	D E S I G N A T I O N	M A N U F A C T U R E R S		N O O F F	E X P L O S I O N L E V E L	O F	R E P A I R
				C O D E	P A R T N o.				
1	2	3	4	5		6	7	8	
001226	025	SCREW (USE SERIAL 1248)				1			
001227	026	SHIM STEEL, 0.316 IN OD, 0.197 IN ID, 0.004 IN THK	Z0009	859241R1		1	X	B	
001228	000	SHIM, STEEL, 7.91MM OD, 5.14MM ID BY 0.2MM THK	D9134	111905231		1	X	B	
001229	027	CLIP, RETAINING, STEEL, 0.472 IN. LG, 5/640.7IN. W, 1/32 IN. THK (ALSO PART OF SERIAL 1219)	Z0009	859 242 R 1		1	X	UPB	
001230	028	SCREW, ASSEMBLED WASHER, CONDENSER FASTENING	Z0666	92310634		1	X	FB	
001231	029	CAPACITOR, FIXED, METALIZED PAPER DIELECTRIC	Z0666	1237330098		1	X	UPB	
001232	030	FELT, MECHANICAL, PREFORMED, DISTRIBUTOR SHAFT LUBRICATING, 1.693IN.LG BY 1.102IN.W BY 0.039IN.THK	Z0009	859204R1		1	X	B	
001233	031	PIN, STRAIGHT, HEADLESS	Z0009	886 786 R 1		1	X	B	
001234	032	SLEEVE, DRIVING	31007	886785R1		1	X	UPB	
001235	033	WASHER, NON-METALLIC, FIBRE, 0.847IN.OD, 0.492IN.ID, 0.031IN.THK	31007	859 223 R 1		2	X	B	
001236	034	BEARING, SLEEVE, BRONZE, 5/8IN OD, 0.496IN ID, 0.866IN LG	Z0009	859202R1		2	X	B	
001237	035	HOUSING DISTRIBUTOR				1			
001238	000	INSERT ASSEMBLY, HOUSING DUST PROTECTION	Z0666	123052302		1	X	B	
001239	036	SHACKLE, CLIP DISTRIBUTOR CAP W/LUG	Z0009	859263R91		1	X	B	
001240	000	SHACKLE, CLIP DISTRIBUTOR CAP W/LUG	Z0009	859263R91		1	X	B	
001241	037	CLIP RETAINING (NOT SERVICED SEPARATELY)				1			
001242	038	SCREW ASSEMBLY WASHER				1			
001243	039	SCREW, ASSEMBLED WASHER, CONDENSER FASTENING	Z0666	92310634		1	X	UPB	
001244	040	VACUUM UNIT, DISTRIBUTOR	Z0666	1237121305		1	X	UPB	
001245	041	PLATE, CLAMPING DISTRIBUTOR	Z0666	9231061901		1	X	B	
001246	000	SCREW, MACHINE, CLAMP MOUNTING	Z0666	WSR8125X		1	X	UPB	
001247	000	HARDWARE KIT, DISTRIBUTOR (CONSISTS OF SERIALS 1222, 1224, 1225, 1226, 1231, 1242, 1243)	Z0009	886 779 R 91		1	X	B	
001248	000	PARTS KIT, LUBRICATOR, FELT CENTRIFUGAL WEIGHTS (CONSISTS OF SERIALS 1207, 1216, 1217)	31007	886795R91		1	X	B	

FOOTNOTE: PAGE 49 INTENTIONALLY
NOT INCLUDED IN THIS RPS

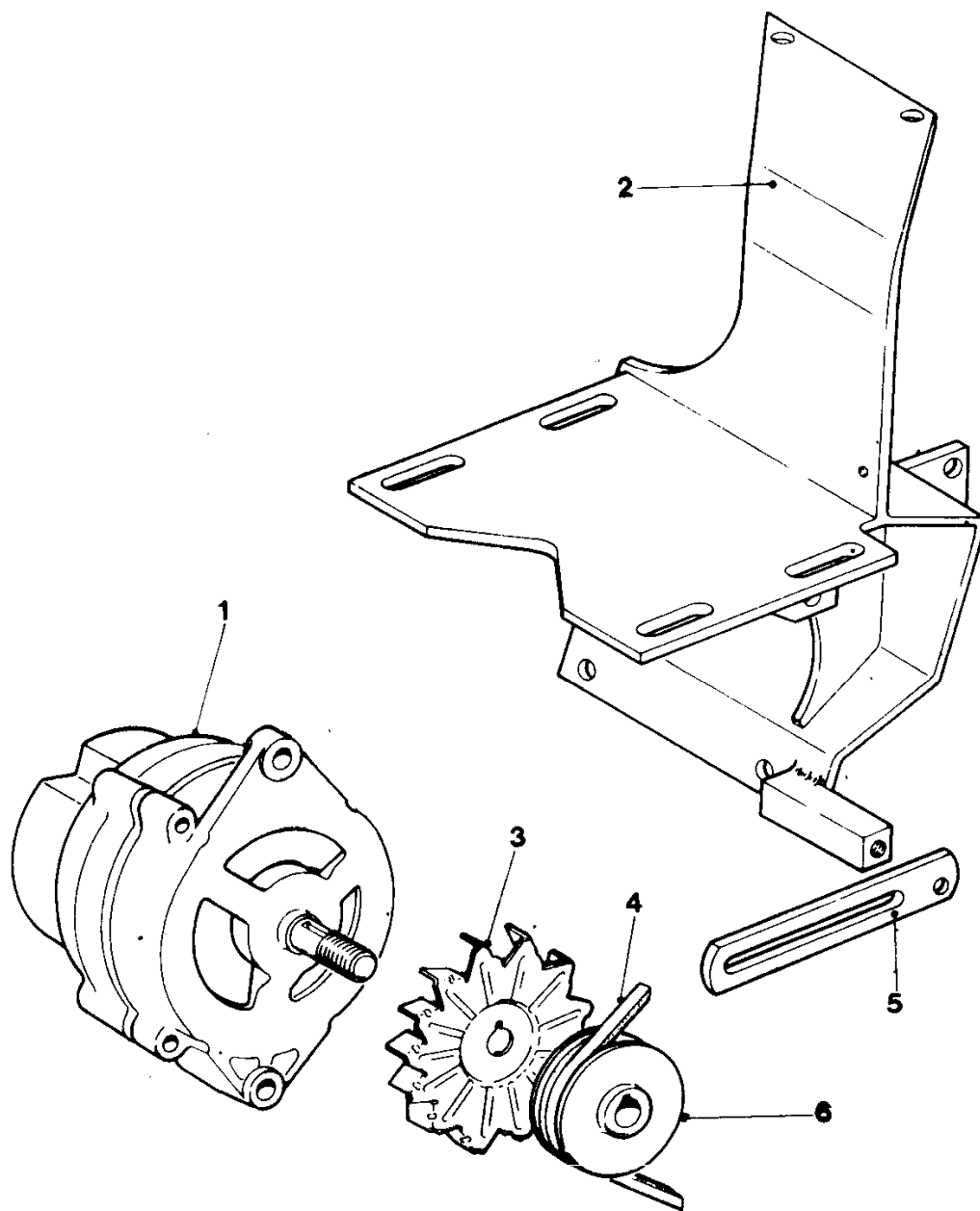


SPARK PLUGS, CABLES AND IGNITION COIL.

SERIAL NUMBER	GROUP & ITEM No.	DESIGNATION	MANUFACTURERS		NO OFF	EXPL. CLASS	LEVEL	REPAIR
			CODE	PART No.				
1	2	3	4	5	6	7	8	
001267	CAA	SPARK PLUGS, CABLES AND IGNITION COIL						
001268	001	CABLE HT COIL TO DISTRIBUTOR (MANUFACTURE FROM SERIAL 1274)				1		
001269	002	CABLE LT DISTRIBUTOR TO COIL (MANUFACTURE WHEN REQUIRED)				1		
001270	003	RING, CABLE	31007	25900H0		2	X	UPB
001271	004	CABLE SPARK PLUG NOS 1 AND 6 (MANUFACTURE FROM SERIALS 1274, 1275 AND 1277)						
001272	005	CABLE SPARK NOS 2 AND 5 (MANUFACTURE FROM SERIALS 1274, 1275 AND 1277)				2		
001273	006	CABLE SPARK PLUG NOS 3 AND 4 (MANUFACTURE FROM SERIALS 1274, 1275 AND 1277)				2		
001274	000	WIRE ELECTRICAL AUTOMCTIVE 7MM HT SUPPL-ESSION BLACK	Z1249	7MMHTSUP		1	X	UPB
001275	000	CLIP, ELECTRICAL, 0.699IN H, 0.350IN OUTER DIA	ZQ220	H104		5	X	UPB
001276	007	SPARK PLUG, 14MM, HCT, 3/8IN REACH, EXTENDED CORE NOSP	Z0666	W95T6		5	X	UPB
001277	008	CABLE NIPPLE, ELECTRICAL, STRAIGHT, ACCOMMODATES 7 MM WIRE	31007	120095		3	X	UPB
001278	009	CAP, SPARK PLUG (CONSISTS OF CAP AND SERIAL 1277)	Z0666	0-356-301-008		6	X	UPB
001279	010	COIL, IGNITION, 12V, NOT SCREENED, METALLIC CASE, WATERPROOF, 6.180IN LG BY 2.716IN DIA	Z0009	852536R95		1	X	UPB
001280	000	SCREW, MACHINE, UNC, 2A, SAE GRADE 5 STEEL, HEX HD, ZINC COATED, 5/16IN BY 3/4 N LG	80204	B18-2		2	X	UPB
001281	000	WASHER, LOCK STEEL, SHAKEPROOF, CAD PLATED, INTERNAL TYPE12, 5/16IN BOLT SIZE				2	X	UPB
001282	000	WASHER, FLAT, RD, STEEL, ZINC COATED, 5/16IN. 5/8 IN. CD BY 0.072 IN. THK	Z1272	038-060		2	X	UPB
001283	011	CAPACITOR, FIXED, PAPER DIELECTRIC, 500 PFPORM 20 PCT, 200 VDC WKG RADIO SUPPRESSION, IGNATION COIL	Z0020	TSEV93-896		1	X	UPB

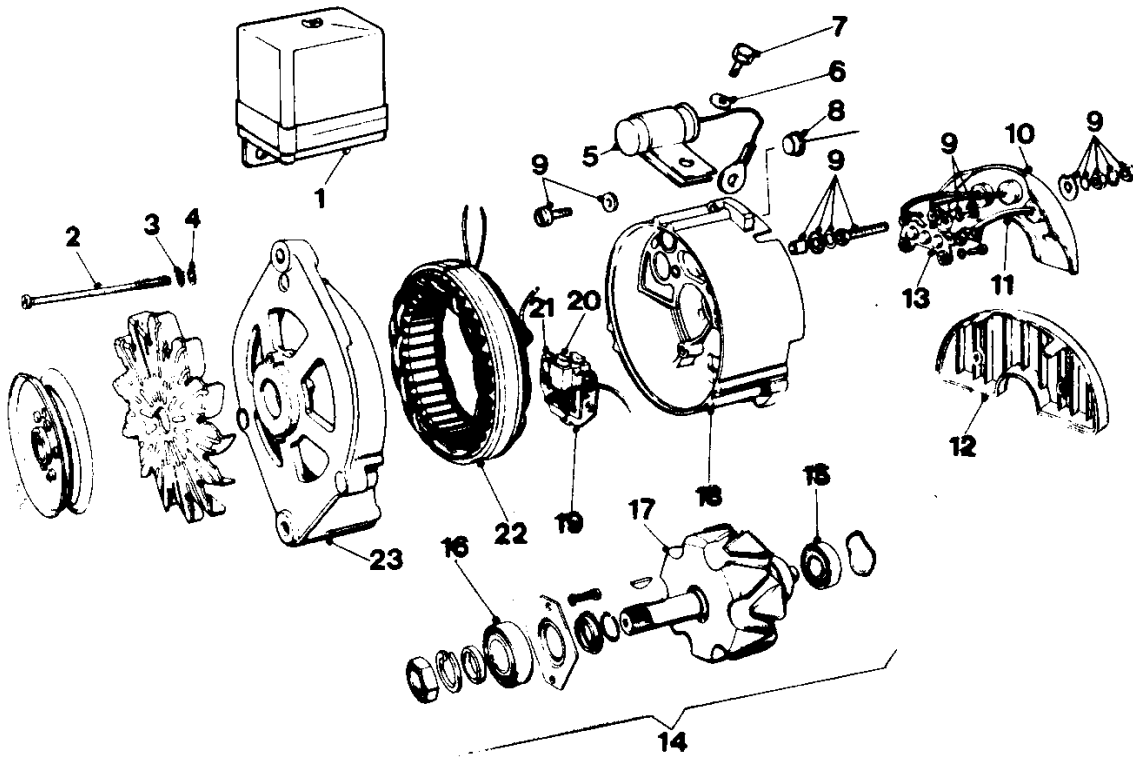
GROUP DA

RPS02031



ALTERNATOR MOUNTING AND DRIVE.

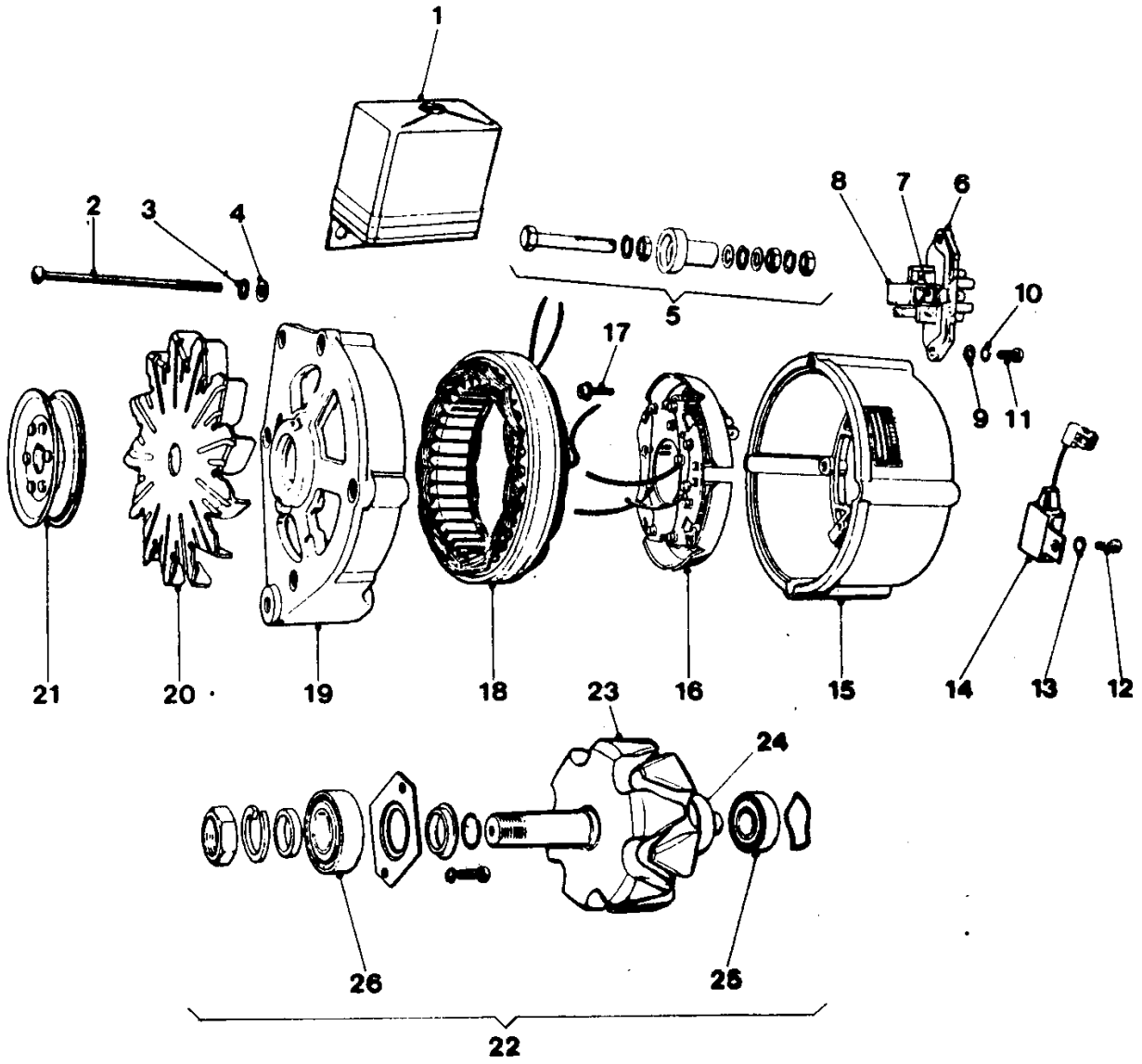
S E R I A L	N U M B E R	G R O U P & I T E M N o.	D E S I G N A T I O N	M A N U F A C T U R E R S		N O O F	E X P L O S E	L E V E L	O F	R E P A I R
				C O D E	P A R T N o.					
1	2	3	4	5		6	7	8		
001303	DA	ALTERNATOR MOUNTING AND DRIVE								
001304	001	ALTERNATOR ASSEMBLY (REFER GROUP DAA)				1				
001305	000	BOLT, MACHINE, UNF, 2A, SAE GRADE 5 STEEL, HEX HD, ZINC COATED, 3/8IN BY 3-1/2IN LG	8Q204	B18-2		1	X			UPB
001306	000	NUT, SELF-LOCKING, HEXAGON, UNF, 2B P STEEL, TYPE P, ZINC COATED, 3/8IN W/NYLON INSERT	ZQ635	NPD126/11/6		1	X			UPB
001307	002	BRACKET ASSEMBLY, COMPRESSOR AND ALTERNATOR	Z0020	ADE(V) 94-237		1	X			FB
001308	000	SCREW, MACHINE, UNC, 2A, SAE GRADE 5 STEEL, HEX HD, ZINC COATED, 7/16IN BY 1IN LG	80204	B18-2		2	X			UPB
001309	000	WASHER, LOCK, SPRING STEEL, SINGLE TURN, RECTANGULAR SECTION, CAD PLATED, 7/16 IN BOLT SIZE	K7766	1802		2	X			UPB
001310	000	SCREW, MACHINE, UNC, 2A, SAE GRADE 5 STEEL, HEX HD, ZINC COATED, 3/8 IN. BY 7/8 IN. LG	80204	B18-2		2	X			UPB
001311	000	WASHER, LOCK, SPRING, STEEL, SINGLE TURN, RECTANGULAR SECTION, CAD PLATED, 3/8 IN. BOLT SIZE	K7766	1802		2	X			UPB
001312	003	FAN	Z0666	9121066614		1	X			FB
001313	004	BELT, V, ENDLESS, RUBBERISED FABRIC, 1/2IN. TOP WIDTH, 7/16 IN. THK, 40 DEG ANGLE, 46 IN. INSIDE CIRC	Z0009	886034-R1		1	X			UPB
001314	005	STRAP, ADJUSTING, GENERATOR	Z0020	ADE(V) 94-232		1	X			FB
001315	000	SCREW, MACHINE, UNF, 2A, SAE GRADE 5 STEEL, HEX HD, ZINC COATED, 3/8 IN. BY 3/4 IN. LG	80204	B18-2		1	X			UPB
001316	000	WASHER, LOCK, SPRING, STEEL, SINGLE TURN, RECTANGULAR SECTION, CAD PLATED, 3/8 IN. BOLT SIZE	K7766	1802		1	X			UPB
001317	000	BOLT, MACHINE, UNC, 2A, SAE GRADE 5 STEEL, HEX HD, ZINC COATED, 5/16IN BY 1-1/4IN LG	72582	186624		1	X			UPB
001318	000	WASHER, FLAT, RD, STEEL, 11/32 IN. ID BY 1 IN. OD BY 0.104 IN. THK	31007	211632R1		1	X			UPB
001319	000	WASHER, LOCK, SPRING, STEEL, SINGLE TURN, RECTANGULAR SECTION, CAD PLATED, 5/16 IN. BOLT SIZE	17600	DX252		1	X			UPB
001320	006	PULLEY, GROOVE, CAST IRON, 3.620IN. OD	Z0009	885612R3		1	X			FB
				FOOTNOTE: PAGE 52 INTENTIONALLY NOT INCLUDED IN THIS RPS						



ALTERNATOR AND VOLTAGE REGULATOR.

SERIAL NUMBER	GROUP & ITEM No.	DESIGNATION	MANUFACTURERS		NO OFF	EXP CLASS	LEVEL	REPAIR
			CODE	PART No.				
1	2	3	4	5	6	7	8	
001341	DAA	ALTERNATOR AND VOLTAGE REGULATOR						
001342	000	GENERATOR, ENGINE ACCESSORY	ZQ666	9120-0606 22	1	N	UPB	
001343	001	REGULATOR, ENGINE GENERATOR, 12V, SEALED	ZQ666	9190066000	1	N	UPB	
001344	002	BOLT, MACHINE (THROUGH BOLT)			3			
001345	003	WASHER, SPRING			3			
001346	004	WASHER, PLAT			3			
001347	005	CAPACITOR, SUPPRESSOR ALTERNATOR			1			
001348	006	WASHER, SPRING (END PLATE)	ZQ666	2916063006	1	X	FB	
001349	007	SCREW, MACHINE, CHEESE HD			1			
001350	008	SEMICONDUCTOR DEVICE, DIODE, 9-270-061-E00NEGATIVE (BLACK INSCRIP)	ZQ666	9-270-061-006	3	X	B	
001351	009	PARTS KIT, SLIP RING			1			
001352	010	HEAT SINK, ELECTRICAL-ELECTRNIC COMPONENTS POSITIVE	ZQ666	9121065705	1	N	FB	
001353	011	SEMICONDUCTOR DEVICE, DIODE, 9-121-067-322 POSITIVE (RFD INSCRIP)	ZQ666	9-121-067-322	3	X	B	
001354	012	COVER, END			1			
001355	013	JUNCTION PLATE, MOUNTING SET	ZQ666	9121067008	1	N	FB	
001356	014	PARTS KIT, SMALL ROTOR SET			1			
001357	015	BEARING, BALL, ANNULAR, GROUND, SINGLE ROW, RADIAL, NON-LOADING GROOVE, 12MM BY 32 MM BY 10 MM, WITH CNE STEEL SHIELD			1			
001358	016	BEARING, BALL, ANNULAR, GROUND, SINGLE ROW, 17MM BORE, DIA, BY 40MM OD, BY 12MM O/A W	ZQ141	7420850	1	X	FB	
001359	017	ROTOR, GENERATOR			1			
001360	018	PLATE, SLIP RING END			1			
001361	019	HOLDER ASSEMBLY, ELECTRICAL CONTACT BRUSH	ZQ666	9121064301	1	X	FB	
001362	020	BRUSH SET, ELECTRICAL CONTACT			1			
001363	021	SPRING, SPIRAL, TORSION ALTERNATOR BRUSH (SET OF 4)	ZQ666	2104652000	2	X	FB	

S E R I A L	N U M B E R	G R O U P & I T E M N o.	D E S I G N A T I O N	M A N U F A C T U R E R S		N O O F F	E X P. C L A S S	L E V E L	R E P A I R T O
				C O D E	P A R T N o.				
1	2		3	4	5	6	7	8	
001364	022		STATOR, GENERATOR, COMPLETE W/WINDING			1			
001365	023		PLATE, DRIVE END			1			



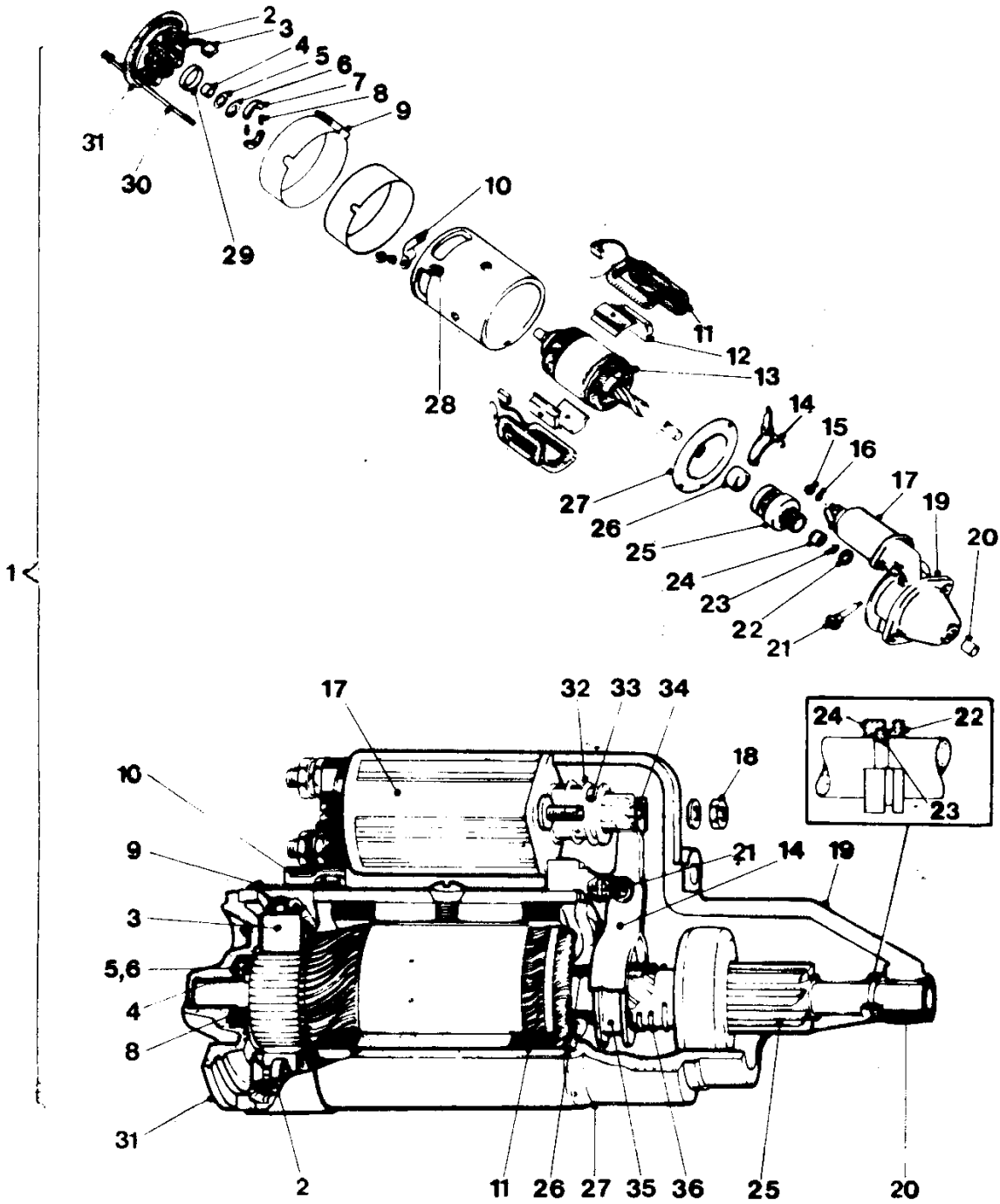
ALTERNATOR.

SERIAL	NUMBER	GROUP & ITEM No.	DESIGNATION	MANUFACTURERS		NO OFF	EX P. CLASS	LEVEL	OF	REPAIR
				CODE	PART No.					
1	2	3	4	5	6	7	8			
001388	DAB		ALTERATOR							
001389	000		GENERATOR, ENGINE ACCESSORY, C/W PAN AND PULLEY	Z0666	9-120-060-710	1	N			UPB
001390	001		REGULATOR, ENGINE GENERATOR, 12V, SEALED (REFER SERIAL 1343)		- 2920-60-117-3155	1				
001391	000		SCREW, MACHINE, UNF, 2A, MILD STEEL, PAN HD, SLOTTED, ZINC COATED, NO 10 BY 1/2IN	K7766	3155	2	X			UPB
001392	000		WASHER, LOCK STEEL, SHAKEPROOF, CAD PLATEE, EXTERNAL TYPE 11, 3/16IN BOLT SIZE (2BA OR NO10 SIZE)	Z1272	038-294	2	X			UPB
001393	000		NUT, PLAIN, HEXAGON, UNF, 2B, "A" STEEL, ZINC COATED, NO 10	K7766	3155	2	X			UPB
001394	002		SCREW, MACHINE, THROUGH	Z0666	91210634	4	X			FB
001395	003		WASHER, SPRING			4				
001396	004		WASHER, FLAT			4				
001397	005		TERMINAL SET, QUICK DISCONNECT	Z0666	9121067021	1	X			B
001398	006		HOLDER ASSEMBLY, ELECTRICAL CONTACT BRUSH (INCL BRUSHES AND SPRINGS)	Z0666	9121064316	1	X			B
001399	007		BRUSH, ELECTRICAL CONTACT FOR BOSCH ALTERNATOR (SET OF 2 BRUSHES)	Z0666	9121067018	1	X			FB
001400	008		SPRING, SPIRAL, TORSION BRUSH	Z0666	1124625000	2	X			FB
001401	009		WASHER, FLAT, ALTERNATOR	Z0141	7406900	1	X			B
001402	010		WASHER, LOCK, SPRING STEEL, CAD PLATED, SINGLE TURN, 4.1 MM ID, 7.6 MM OD, 0.9 MM THK	Z0141	7406323	1	X			B
001403	011		SCREW, MACHINE, ALTERNATOR	Z0666	2910022125	1	X			B
001404	012		SCREW, MACHINE, ALTERNATOR	Z0666	91210634	1	X			B
001405	013		WASHER, FLAT, RD, STEEL, CAD PLATED AND PASSIVATED, 5 MM, 10 MM OD, 1.10 MM THK THK	Z0544	AS1237	1	X			B
001406	014		CAPACITOR, FIXED, PAPER DIELECTRIC, SUPPRESSOR FOR BOSCH ALTERNATOR	Z0666	0290800036	1	X			B
001407	015		PLATE, SLIP RING END	Z0666	9121065905	1	X			B
001408	016		RECTIFIER, SEMICONDUCTOR DEVICE 9121067305	Z0666	9121067305	1	X			B
001409	017		SCREW, MACHINE, LONG, ALTERNATOR	Z0666	91210634	1	X			B

S E R I A L	N U M B E R	G R O U P & I T E M N o.	D E S I G N A T I O N	M A N U F A C T U R E R S		N O O F F	I X P. C L A S S	L E V E L	R E P A I R
				C O D E	P A R T N o.				
1	2	3	4	5	6	7	8		
001410	000	SCREW, MACHINE, SHORT, ALTERNATOR	Z0666	91210634	1	X	B		
001411	018	STATOR, ENGINE GENERATOR	Z0666	9121064214	1	X	B		
001412	019	PLATE, DRIVE END	Z0666	9121065862	1	X	B		
001413	020	FAN (REFER SERIAL 1312)			1				
001414	021	PULLEY, GROOVE, ALTERNATOR			1				
001415	022	PARTS KIT, ENGINE GENERATOR (CONSISTS OF ALL ITEMS IN BRACKET LESS SERIALS 1416, 1417, 1418 AND 1419)	Z0666	9121067020	1	X	B		
001416	023	ROTOR, GENERATOR	Z0666	9121064005	1	X	B		
001417	024	RING, ELECTRICAL CONTACT, ALTERNATOR	Z0666	1124304005	1	X	B		
001418	025	BEARING, BALL, ANNULAR, GROUND, SINGLE ROW, RADIAL, NON-LOADING GROOVE, 12 MM BY 32 MM BY 10 MM, WITH ONE STEEL SHIELD			1				
001419	026	BEARING, BALL, ANNULAR (REFER SERIAL 1358)			1				

GROUP DB

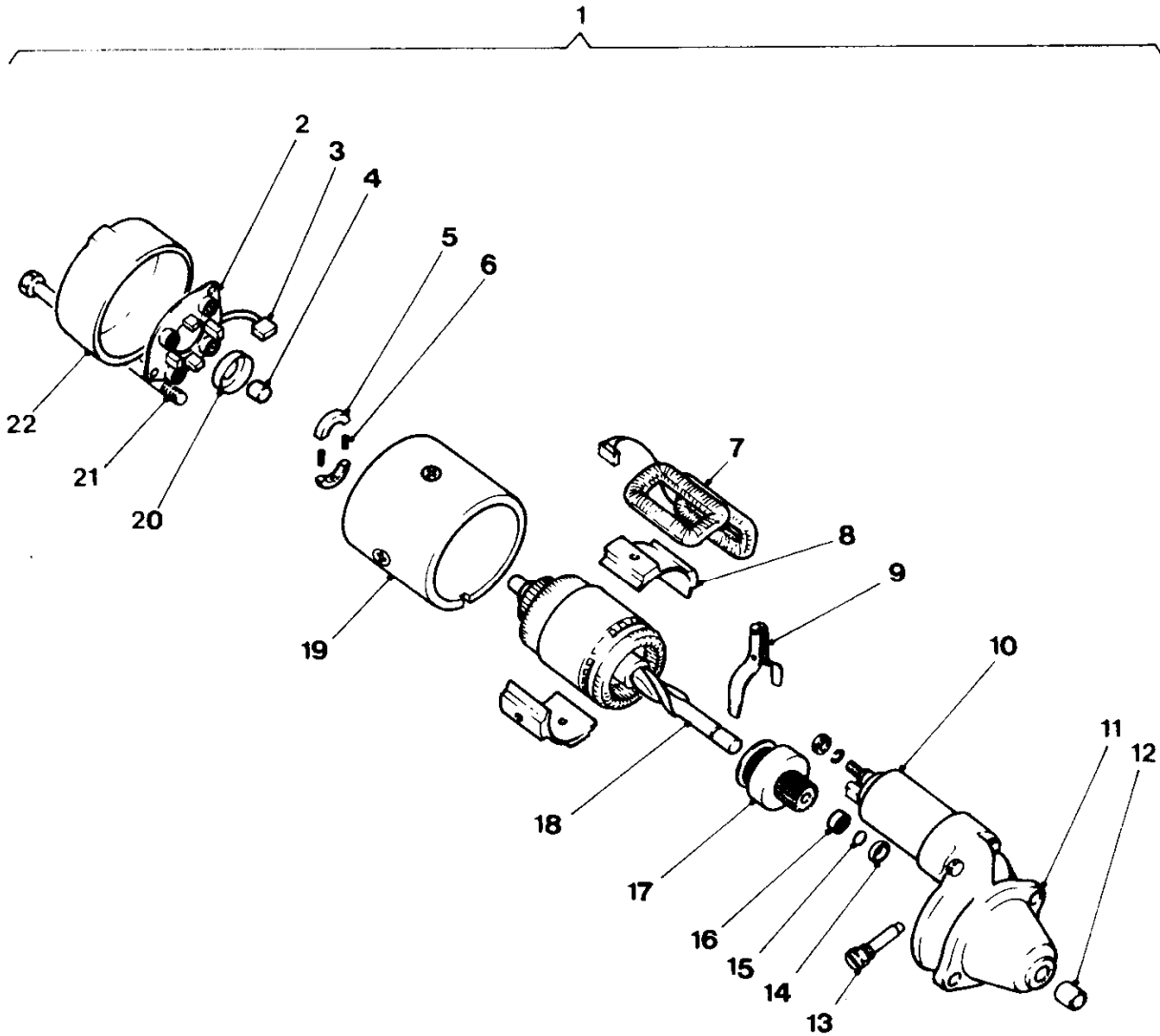
RPS02031



STARTER MOTOR TYPE M45

SERIAL	NUMBER	GROUP & ITEM No.	DESIGNATION	MANUFACTURERS		NO	OFF	EXP. CLASS	LEVEL	OF	REPAIR
				CODE	PART No.						
1	2	3	4	5	6	7	8				
001438	DB		STARTER MOTOR TYPE M45								
001439	001		STARTER, ENGINE, ELECTRICAL, W/RELAY SOLENOID	ZQ049	62925017A	1	N				UPB
001440	002		SPRING, SPIRAL, TORSION STEEL, PHOSPHATED, RECT CROSS-SECT 0.187 IN BY 0.062 IN 0.625 IN OD COILS FREE, 3-1/4 COILS	Z0027	62250170	1	X				UPB
001441	003		BRUSH, ELECTRICAL CONTACT, STARTER MOTOR	U0724	1032572	4	X				UPB
001442	004		BEARING, SLEEVE, COMMUTATOR END	Z0027	62250482	1	X				FB
001443	005		WASHER, NONMETALLIC, COMMUTATOR END	Z0009	884079R1	1	X				FB
001444	006		WASHER, THRUST, BRASS	Z0009	884089R1	1	X				FB
001445	007		BRAKE PAD, ARMATURE SHAFT	Z0027	272117	2	X				FB
001446	008		SPRING, HELICAL, COMPRESSION, BRAKE SHOE, STARTER MOTOR, SET OF TWO	U1269	LV6MT4LU251528	2	X				FB
001447	009		COVER, ELECTRICAL CONTACT BRUSH ACCESS	ZQ027	62250160	1	X				B
001448	000		SCREW, MACHINE, BA, STEEL, NO 2 BY 1-11/16IN LG	Z0027	62100055	1	X				UPB
001449	000		NUT, PLAIN, SQUARE, BA STEEL, NO 2, 3/8IN W/ACROSS FLATS BY 0.112IN	Z0027	62130009	1	X				UPB
001450	010		CONNECTOR, STRAP, ELECTRICAL, SOLENOID TO STARTER MOTOR	Z0009	884078R1	1	X				FB
001451	011		WINDING, MOTOR FIELD, STARTER MOTOR	K0049	54256110	1	X				B
001452	012		POLE SHOE			1					
001453	013		ARMATURE, MOTOR, STARTER MOTOR	ZQ027	62250152	1	N				FB
001454	014		SHIFTER FORK, PINION ENGAGING	ZQ009	884072R1	1	X				FB
001455	015		NUT, PLAIN, HEXAGON, UNC 2B, A STEEL, LOCK, ZINC COATED, 5/16IN	ZQ544	B147	1	X				FB
001456	016		WASHER, LOCK, SPRING, STEEL, SINGLE TURN, RECTANGULAR SECTION, CAD PLATED, 5/16 IN. BOLT SIZE	17600	DX252	1	X				FB
001457	017		RELAY-SOLENOID, ENGINE STARTER, ELECTRICAL (CONSISTS OF SERIALS 1473 AND 1474)	K0049	76721	1	X				FB

SERIAL	NUMBER	GROUP & ITEM No.	DESIGNATION	MANUFACTURERS		NO OFF	EXPL CLASS	LEVEL	OF REPAIR
				CODE	PART No.				
1	2	3	4	5		6	7	8	
001458	018		NUT, PLAIN, HEXAGON, UNF 2B P STEEL, LOCK, ZINC COATED, 1/4IN	Z0544	B147	1	X	FB	
001459	019		END BELL, ELECTRICAL ROTATING EQUIPMENT, DRIVE END	K0049	62250147	1	X	FB	
001460	020		BUSHING, SLEEVE, DRIVE END	Z0027	62251499	1	X	FB	
001461	021		SCREW, SHOULDER, SHIFTER FORK PIVOT	Z0049	62250157	1	X	FB	
001462	000		CAD OR ZINC PLATED, 1/2 IN. BOLT SIZE, 1/2IN BOLT SIZE 0.188 IN. THK	K0049	62130011	1	X	FB	
001463	022		WASHER, THRUST, DRIVE END	Z0027	62140027	1	X	FB	
001464	023		RING RETAINING, EXTERNAL, STEEL, 0.419 IN ID BY 0.479 IN OD 0.80 IN DIA OF MATERIAL (USE SERIAL 1439)			1			
001465	024		WASHER, SHOULDERED AND RECESSED STEEL, 0.476IN ID BY 3/4IN OD BY 0.071IN THK	Z0027	62250158	1	X	FB	
001466	025		DRIVE, ENGINE, ELECTRICAL, STARTER	Z0027	62250623	1	X	FB	
001467	026		BEARING, SLEEVE, INTERMEDIATE END BELL	Z0009	884091R1	1	X	FB	
001468	027		BRACKET ASSEMBLY, INTERMEDIATE	K0049	62250149	1	X	FB	
001469	028		TERMINAL, STUD, FIELD COIL	K0049	272355	1	X	FB	
001470	029		BRAKE RING			1			
001471	030		SCREW, EXTERNALLY RELIEVED BODY, BSF, MEDIUM FIT, STEEL, RAISED CHEESE HD, 1/4IN BY 6-3/8IN LG	Z0027	62250165	2	X	FB	
001472	031		STARTER, ENGINE, ELECTRICAL, W/RELAY SOLENOID	Z0049	62925017A	1	X	FB	
001473	032		SPRING, PLUNGER, SOLENOID (USE SERIAL 1457)						
001474	033		PLUNGER, SOLENOID (USE SERIAL 1457)						
001475	034		SLEEVE, SLIDING	Z0027	54255707	1	X	B	
001476	035		BEARING, SLEEVE, PINION	Z0009	884083R1	1	X	B	
001477	036		SPRING, HELICAL, COMPRESSION STEEL, RD CROSS SECT, SQUARED AND GROUND ENDS, 0.990 IN ID, 1.150 IN OD, 1.609 IN FREE LG, 0.375 IN SOLID LG	Z0009	884081R1	1	X	FB	



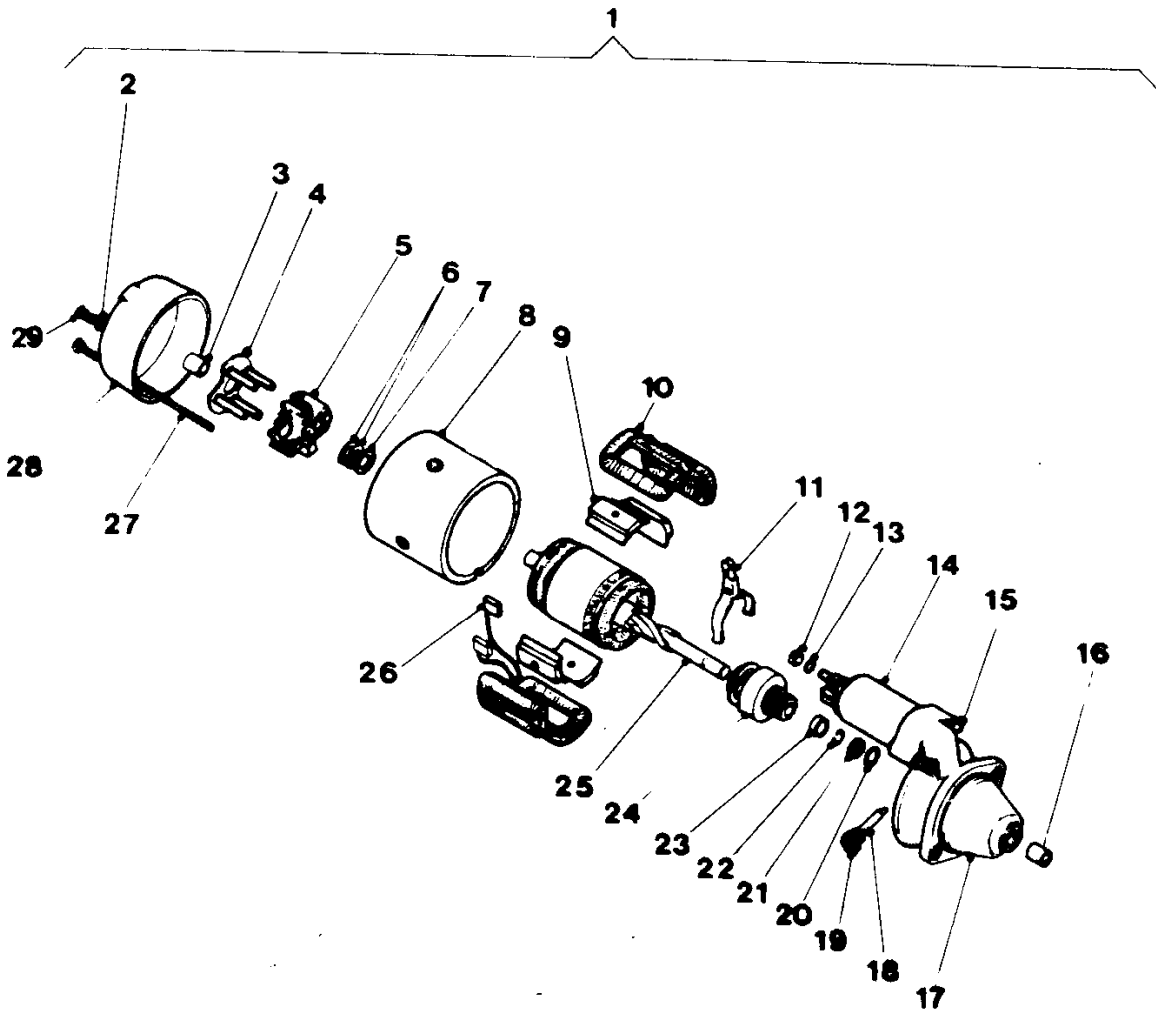
STARTER MOTOR AXIAL COMMUTATOR TYPE M40

SERIAL	NUMBER	GROUP & ITEM No.	DESIGNATION	MANUFACTURERS		NO OF	EXP CLASS	LEVEL	OF	REPAIR
				CODE	PART No.					
1	2	3	4	5		6	7	8		
001497	DBA		STARTER MOTOR ASSEMBLY AXIAL COMMUTOR TYPE M40							
001498	001		STARTER, ENGINE, ELECTRICAL, W/RELAY SOLENOID	Z2813	ADEV94-295REV1	1	N			UPB
001499	000		SCREW, MACHINE, UNC, 2A, SAE GRADE 5 STEEL, HEX HD, ZINC COATED, 7/16 IN. BY 1-1/8 IN. LG	80204	B18-2	2	X			FB
001500	000		WASHER, LOCK STEEL, SHAKEPROOF, CAP PLATE, EXTERNAL TYPE 11, 7/16IN BOLT SIZE	Z0088	1122	2	X			FB
001501	002		HOLDER, ELECTRICAL CONTACT BRUSH (USE SERIAL 1498)			1				
001502	000		SPRING, SPIRAL, TORSION BRUSH SET	Z0027	62250790	1	X			FB
001503	000		SETScrew, UNF, 2A, STEEL, RAISED CHEESE HD, SLOT DRIVE, TROPIC PROOF FINISH, FULL DOG POINT, NO 10 BY 5/8IN	Z0027	62110049	2	X			FB
001504	000		WASHER, LOCK, SPRING, STEEL, SINGLE TURN, RECTANGULAR SECTION, ZINC COATED, 5/16IN SCREW SIZE	Z0027	62140005	2	X			FB
001505	003		BRUSH SET, ELECTRICAL CONTACT, STARTER MOTOR (USE SERIAL 1498)			1				
001506	004		BUSHING, SLEEVE, DRIVE END	Z0027	62251499	1	X			FB
001507	005		BRAKE PAD, ARMATUR SHAFT	Z0027	62250588	2	X			FB
001508	006		SPRING, HELICAL, COMPRESSION, BRAKE SHCE, STARTER MOTOR, SET OF TWO	U1269	LV6MT4LU251528	2	X			FB
001509	007		WINDING, MOTOR FIELD, STARTER MOTOR	Z0027	62250611	1	X			FB
001510	000		GROMMET, RUBBER.	Z0027	62250587	2				
001511	008		SHOE POLE (NOT SERVICED)			2				
001512	009		SHIFTER FORK, STARTER PINION ENGAGING	Z0027	62250789	1	X			B
001513	010		RELAY SOLENOID, ENGINE STARTER ELECTRICAL	Z0027	62964005	1	X			FB
001514	000		WASHER, LOCK, SPRING, STEEL, SINGLE TURN, SQUARE SECTION, COPPER PLATED, 5/16IN BOLT SIZE	Z0027	62140046	1	X			FB
001515	000		NUT, PLAIN, HEXAGON, UNF, 2B, STEEL, LOCK, ZINC COATED, 5/16IN, 9/16IN O/P, 0.215IN H	Z0027	62130026	1	X			FB

SERIAL NUMBER	GROUP & ITEM No.	DESIGNATION	MANUFACTURERS		NO OFF	EXPL CLASS	LEVEL	REPAIR
			CODE	PART No.				
1	2	3	4	5	6	7	8	
001516	011	END BELL, ELECTRICAL ROTATING EQUIPMENT, DRIVE END	Z0027	62250775	1	X	FB	
001517	012	BUSHING, SLEEVE, DRIVE END	Z0027	62251499	1	X	PB	
001518	013	PIN, STARTER SHIFT FORK	Z0027	62250794	1	X	FB	
001519	000	NUT PIVOT (USE SERIAL 1498)			1			
001520	014	WASHER, SHOULDERED AND RECESSED STEEL, 0.476IN ID BY 3/4IN OD BY 0.071IN THK	Z0027	62250158	1	X	FB	
001521	015	RING, RETAINING, EXTERNAL, STEEL, 0.419 IN. ID, 0.579 IN. OD, 0.80 IN. DIA CP MATERIAL	Z0027	62250159	1	X	FB	
001522	016	COLLAR, SHAFT, THRUST	Z0027	62250791	1	X	FB	
001523	017	DRIVE, ENGINE, ELECTRICAL STARTER (USE SERIAL 1498)			1			
001524	000	BEARING, SLEEVE, STARTER MOTOR	Z0027	62250632	2	X	FB	
001525	000	SPRING			1			
001526	000	PLATE			1			
001527	000	RING			1			
001528	000	WASHER			1			
001529	000	BEARING			1			
001530	018	ARMATURE, MOTOR, STARTER MOTOR	Z0027	62250773	1	N	FB	
001531	019	BODY, (NOT SERVICED)			1			
001532	020	RING, (NOT SERVICED)			1			
001533	021	SCREW, EXTERNALLY RELIEVED BODY, STEEL, BSF, RAISED CHEESE HD, SLOT DRIVE, TROPIC PROOF FINISH, 1/4IN BY 5-59/64IN	Z0027	62250796	1	X	FB	
001534	000	WASHER SPRING			1			
001535	022	END BELL, ELECTRICAL ROTATING EQUIPMENT, COMMUTATOR END	Z0027	62250776	1	X	B	

GROUP DBB

RPS02031



STARTER MOTOR (FACE COMMUTATOR TYPE)

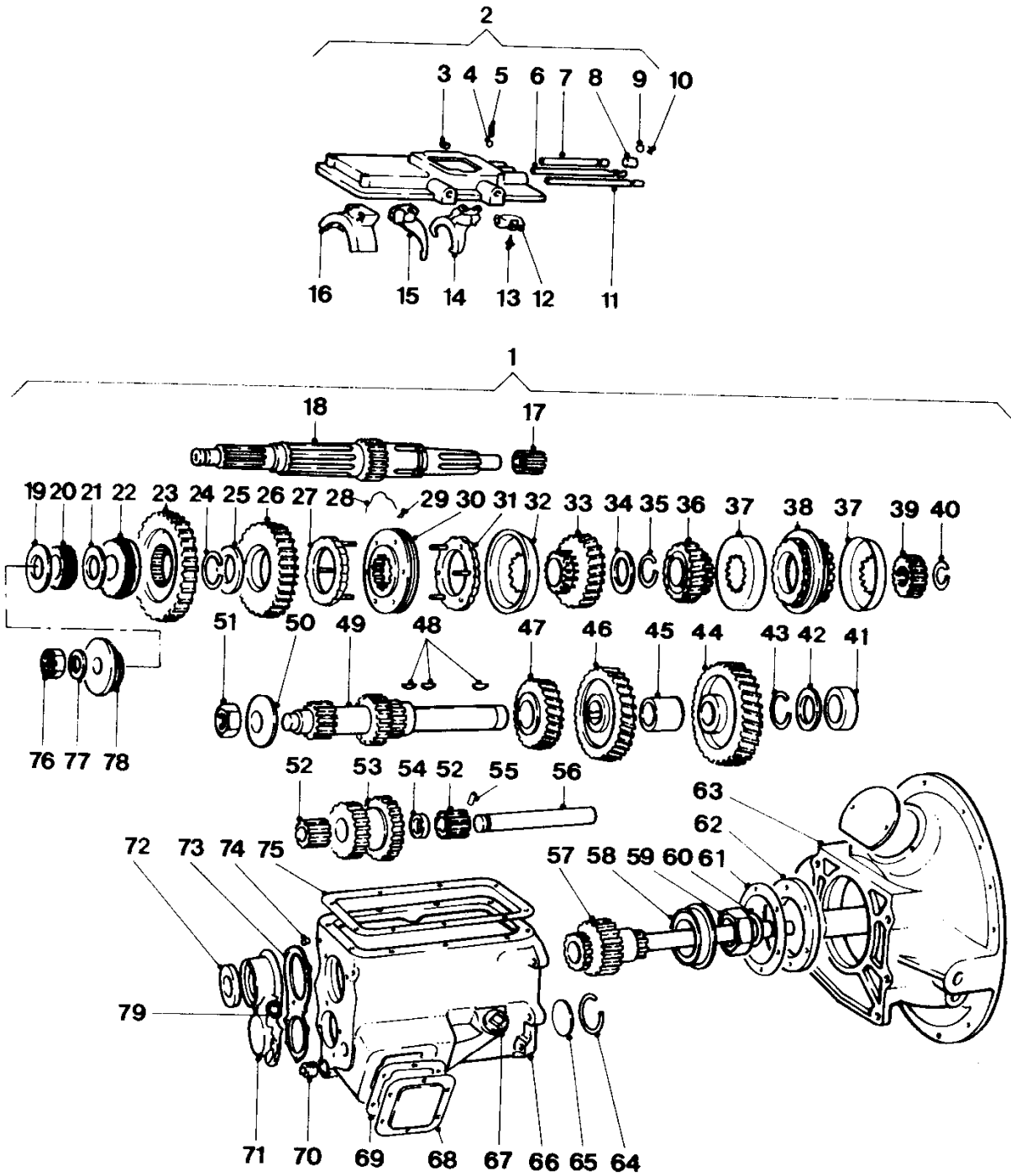
SERIAL	NUMBER	GROUP & ITEM No.	DESIGNATION	MANUFACTURERS		NO OF	EXP. CLASS	LEVEL	REPAIR
				CODE	PART No.				
1	2	3	4	5		6	7	8	
001555	EBB		STARTER MOTOR (FACE COMMUTATOR TYPE)						
001556	001		STARTER, ENGINE ELECTRICAL (TROPIC PROOFED)	Z0027	6295060	1	N	UPB	
001557	002		WASHER, LOCK, SPRING, STEEL, SINGLE TURN, RECTANGULAR SECTION, ZINC COATED, 5/16 IN SCREW SIZE (PART OF SERIAL 1587)	Z0027	62140005	2	X	PB	
001558	003		BUSHING, SLEEVE, BRONZE, 0.4281, IN, ID, BY, 0.5476, IN, OD, BY 10.560, IN, O/A, 1/8	Z0027	62251500	1	X	PB	
001559	004		BRUSH PLATE ASSEMBLY, C/W FOUR SPRINGS	Z0027	62251249	1	X	PB	
001560	005		HOLDER, ELECTRICAL CONTACT BRUSH	Z0027	62250915	1	X	PB	
001561	006		SHIM (PART OF SERIAL 1589)	Z0009	3207923R1	1	X	PB	
001562	007		WASHER, FLAT (USE SERIAL 1587)			1			
001563	008		BODY, (NOT SERVICED)			1			
001564	009		FIELD POLE (NOT SERVICED)			1			
001565	010		WINDING, MOTOR FIELD	Z0027	62251247	1	X	PB	
001566	011		SHIFTER FORK, STARTER PINION ENGAGING (REFER SERIAL 1512, ALSO PART OF SERIAL 1588)			1			
001567	012		NUT, PLAIN, HEXAGON, UNC, 2B A STEEL, ZINC COATED, 5/16 IN. (PART OF SERIAL 1587)	Z0544	B147	2	X	PB	
001568	013		WASHER, LOCK, STEEL, SINGLE TURN, SQ. SECTION, CAD PLATED, 5/16 IN. BOLT SIZE (PART OF SERIAL 1586)	K7766	1802	1	X	PB	
001569	014		RELAY SOLENOID, ENGINE STARTER ELECTRICAL (REFER SERIAL 1513)			1			
001570	015		NUT, PLAIN, HEXAGON, UNF, 2B, STEEL, FORMED, ZINC COATED, 1/4 IN. (PART OF SERIAL 1587)	8Q204	B18-2	2	X	PB	
001571	016		PUSHING, SLEEVE, DRIVE END (REFER SERIAL 1517)			1			
001572	017		END BELL, ELECTRICAL ROTATING EQUIPMENT, DRIVE END (REFER SERIAL 1516)			1			

S E R I A L	N U M B E R	G R O U P & I T E M N O.	D E S I G N A T I O N	M A N U F A C T U R E R S		N O O F F	E X P. C L A S S	L E V E L	R E P A I R
				C O D E	P A R T N O.				
1	2	3	4	5	6	7	8		
C01573	018	PIN, STARTER SHIPT FORK (PART OF SERIAL 1588, REFER SERIAL 1518)				1			
001574	019	CAD OR ZINC PLATED, 1/2 IN. BOLT SIZE, 1/2IN BOLT SIZE 0.188 IN. THK (PART OF KIT SERIAL 1588)	K0049	62130011		1	X		FB
001575	020	WASHER, NONMETALLIC (USE KIT SERIAL 1587)				1			
001576	021	WASHER, FLAT (USE KIT SERIAL 1587)				1			
001577	022	RING, RETAINING, EXTERNAL, STEEL, 0.419 IN ID, 0.579 IN OD, 0.80 IN. DIA OF MATERIAL (REFER SERIAL 1521, ALSO PART OF KIT SERIAL 1585)				1			
001578	023	COLLAR, SHAFT, THRUST (REFER SERIAL 1522, ALSO PART OF KIT SERIAL 1585)				1			
001579	024	DRIVE, ENGINE, ELECTRICAL STARTER (USE SERIAL 1556)				1			
001580	025	ARMATURE, MOTOR	Z0027	62251237		1	N		FB
001581	026	BRUSH SET, ELECTRICAL CONTACT	Z0027	62251225		1	X		FB
001582	027	SCREW, EXTERNALLY RELIEVED BODY, STEEL, BSP, RAISED CHEESE HD, SLOT DRIVE, TROPIC PROOF FINISH, 1/4 IN BY 5-59/64 IN (REFER SERIAL 1533)				2			
001583	028	END BELL, ELECTRICAL ROTATING EQUIPMENT	Z0027	62251242		1	X		FB
001584	029	SETScrew, UNF 2A, STEEL, FILLISTER HD, CROSS RECESS DRIVE, FULL DOG POINT, ZINC COATED PASSIVATED, NO 10 EY 3/4IN LG (PART OF KIT SERIAL 1587)	Z0027	62110066		2	X		FB
001585	000	REPAIR KIT, ARMATURE CONSIST OF, RETAINING RING AND THRUST COLLAR (CONSISTS OF SERIALS 1577, 1578)	Z0027	62251482		1	X		FB
001586	000	REPAIR KIT, SOLENOID CONSIST OF, TWO NUTS AND TWO WASHERS (CONSISTS OF SERIALS 1567, 1568)	Z0027	62640102		1	X		FB

SERIAL	NUMBER	GROUP & ITEM No	DESIGNATION	MANUFACTURERS		NO OFF	EXP CLASS	LEVEL	OF	REPAIR
				CODE	PART No.					
1	2		3	4	5	6	7			8
001587	000		REPAIR KIT, SUNDRY CONSISTS OF, 3 SPACER WASHERS (ARMATURE), 2 SPACER SHIMS (SOLENOID), 2 SCREWS, ASSORTED WASHER AND NUTS (CONSISTS OF SERIALS 1557, 1570, 1575, 1576, 1582, 1584)	Z0027	62251461	1	X			FB
001588	000		REPAIR KIT, ENGAGING LEVER AND PIVOT PIN CONSISTING OF, FORK, PIVOT PIN AND LOCK NUT (CONSISTS OF SERIALS 1566, 1573, 1574)	Z0027	62251480	1	X			B

GROUP EA

RPS02031



GEAR BOX ASSEMBLY

SERIAL	NUMBER	GROUP & ITEM No.	DESIGNATION	MANUFACTURERS		NO OFF	EXPL CLASS	LEVEL	OF	REPAIR
				CODE	PART No.					
1	2	3	4	5	6	7	8			
001604	EA		GEARBOX ASSEMBLY							
001605	001		TRANSMISSION W/O CNTROL HOUSING ASSEMBLY	Z0009	861973R91	1	X			PB
001606	002		HOUSING ASSEMBLY, SHIFT (CONSISTS OF SERIALS 1606 TO 1623 INCLUSIVE)	Z0009	861977R92	1	N			PB
001607	000		COVER ASSEMBLY SHIFT BAR	89345	238574R1	1	N			PB
001608	000		SCREW, MACHINE, UNC, 2A, SAE GRADE 5 STEEL, HEX HD, ZINC COATED, 3/8 IN. BY 1 IN. LG	80204	B18-2	7	X			UFB
001609	000		BOLT, MACHINE, UNF, 2A, SAE GRADE 5 STEEL, HEX HD, ZINC COATED 3/8IN BY 2-1/4IN LG	8Q204	B18-2	2	X			UFB
001610	000		WASHER, LOCK, SPRING, STEEL, SINGLE TURN, RECTANGUIAR SECTION, CAD PLATED, 3/8 IN. BOLT SIZE	K7766	1802	3	X			UFB
001611	003		PLUG, EXPANSION, STEEL, 0.750 IN. OD BY 1/4 IN. H BY 0.030 IN. THK	Z0009	899899R1	1	X			PB
001612	004		BALL, BEARING, HIGH CARBON CHROME ALLOY STEEL, 0.500 IN. DIA, 0.000005 IN. SPHERICITY	30076	6348	3	X			PB
001613	005		SPRING, TRANSMISSION GEARSHIFT POSITION FINDER	Z0009	41031V	3	X			PB
001614	006		SHAFT, SELECTOR 2ND AND 3RD SPEED	89345	238617R1	1	X			PB
001615	007		RAIL, SHIFT FOURTH AND DRIVE SPEED SHIFT	89345	238616R1	1	X			PB
001616	008		CAP, GEAR SHIFT LEVER	31007	238634R1	3	X			PB
001617	009		BALL, BEARING, HIGH CARBON CHROME ALLOY STEEL, 3/4 IN. DIA, 0.000025 IN. SPHERICITY	35761	AVYBC1-3PC31	2	X			PB
001618	010		PIN SHIFT BAR INTERLOCK PLUNGER	5Q513	BB22190	1	X			PB
001619	011		SHAFT, SELECTOR 1ST AND REVERSE SPEED SHIFT	89345	238618R1	1	X			PB
001620	012		BLOCK, SELECTOR SHAFT FIRST AND REVERSE	89345	238628R1	1	X			PB
001621	013		SCREW, GEAR SHIFT FORK	89345	144991R1	4	X			PB
001622	014		FORK FOURTH AND DIRECT SPEED SHIFT	89345	238573R1	1	X			PB
001623	015		SHIFTER, FORK, SECOND AND THIRD	89345	238603R3	1	X			PB
001624	016		SHIFTER FORK, FIRST AND REVERSE	Z0009	335860C21	1	X			PB

S E R I A L	N U M B E R	G R O U P & I T E M N O.	D E S I G N A T I O N	M A N U F A C T U R E R S		N O O F F	E X P. C L A S S	L E V E L	O F	R E P A I R
				C O D E	P A R T N O.					
1	2	3	4	5		6	7	8		
001625	017	RETAINER AND ROLLERS, BEARING	92679	238583R91		1	X	FB		
001626	018	MAINSHAFT TRANSMISSION (MODIFIED C/W THRUST WASHERS AND SNAP RING)	89345	238598R1		1	X	FB		
001627	019	DEFLECTOR, DIRT AND LIQUID MAINSHAFT REAR	89345	238594R1		1	X	FB		
001628	020	SPACER, SLEEVE, STEEL, 1.750IN ID, 2.375IN OI BY 0.9375IN LG	Z0009	ADE(V) 94-203-2		1	X	FB		
001629	021	WASHER, FLAT RD STEEL, 1.756IN MAX ID BY 2.625IN OD BY 0.128IN MAX THK	73460	F4590		1	X	FB		
001630	022	BEARING, BALL, ANNULAR, SINGLE ROW, RADIAL, GROUND, NON-LOADING GROOVE, SELF-CONTAINED, BOTH RINGS FLUSH, 45MM BY 100MM BY 25MM	52676	6309NR		1	X	FB		
001631	023	GEAR, TRANSMISSION	89345	238599R1		1	X	FB		
001632	024	RING, RETAINING MAINSHAFT	89345	266782C1		1	X	FB		
001633	025	WASHER, THRUST, 0.203IN THK	89345	268184C1		1	X	FB		
001634	000	WASHER, THRUST, 0.205IN THK	89345	268185C1		1	X	FB		
001635	000	WASHER, THRUST, 0.207IN THK	89345	268186C1		1	X	FB		
001636	026	GEAR, MAIN SHAFT SECOND SPEED	Z0009	863823R3		1	X	FB		
001637	027	CLUTCH, SYNCHRONIZING	Z0009	495218C91		1	X	FB		
001638	028	SPRING HELICAL COMPRESSION SLIDING CLUTCH (REFER SERIAL 1637)				2				
001639	029	PIN, SYNCHRONIZER (REFER SERIAL 1637)				2				
001640	030	CLUTCH, SLIDING SLEEVE, 5.50 IN LG (REFER SERIAL 1637)				1				
001641	031	SPACER, SLEEVE, SYNCHRONIZER UNIT (REFER SERIAL 1637)				1				
001642	032	RING, SYNCHRONIZER UNIT OUTER STOP	31007	240825R1		1	X	FB		
001643	033	GEAR MAINSHAFT 3RD SPEED	31007	238610&21		1	X	FB		
001644	034	WASHER, THRUST, 3RD SPEED GEAR, 0.119IN THK	89345	238605R1		1	X	FB		
001645	000	WASHER, THRUST, 3RD SPEED GEAR, 0.123IN THK	89345	238606R1		1	X	FB		
001646	000	WASHER, THRUST, THIRD SPEED, .126IN	Z0009	443158C1		1	X	FB		

SERIAL	NUMBER	GROUP & ITEM No.	DESIGNATION	MANUFACTURERS		NO OF	EXP CLASS	LEVEL	OF	REPAIR
				CODE	PART No.					
1	2	3	4	5		6	7	8		
001647	035	RING, RETAINING MAINSHAFT, EXTERNAL SNAP	89345	238640R1		1	X	FB		
001648	036	GEAR CLUSTER, BEVEL-SPUR, MAINSHAFT, 4TH SPEED	20009	238612R1		1	X	FB		
001649	037	RING, SYNCHRONOUS, STEEL, 4.875 IN. OD, SPLINED CENTRE HOLE 2.250 IN. MINOR DIA, 2.562 IN. MAJOR DIA, 0.562 IN. H O/A, FACEMACHINED 4.687 IN. DIA BY 0.375 IN. DEEP	20009	238641R2		2	X	FB		
001650	038	SYNCHRONIZER ASSEMBLY	89345	238614R92		1	X	FB		
001651	039	GEAR, CLUTCH MAINSHAFT	31007	185507R2		1	X	FB		
001652	040	RING, RETAINING MAINSHAFT, 0.086IN. TO 0.088IN. THK	31007	146005R1		1	X	FB		
001653	000	RING, RETAINING MAINSHAFT, 0.089IN. TO 0.091IN. THK	31007	146006R1		1	X	FB		
001654	000	RING, RETAINING MAINSHAFT, 0.092IN. TO 0.094IN. THK	31007	146007R1		1	X	FB		
001655	041	BEARING, ROLLER, CYLINDRICAL, SINGLE ROW, GROUND, NON-LOCATING SELF-CONTAINED, NO INNER RING, CYLINDRICAL OUTER RING W/TWO ROLLER RETAINMENT RINGS, 1.7310 IN BY 2.8346 BY 0.6693 IN.	51600	B1207		1	X	FB		
001656	042	WASHER, FLAT RD, STEEL, 1-735IN ID BY 2-3/4IN OD BY 1/16IN THK	31007	63440H		1	X	FB		
001657	043	RING, RETAINING STEEL, EXTERNAL, 1.600IN. MAX. ID BY 1.975IN. MAX. OD BY 0.095IN. MAX. MAJ. THK	23382	2B4198		1	X	FB		
001658	044	GEAR HELICAL COUNTER SHAFT DRIVE	31007	238585R1		1	X	FB		
001659	045	SPACER, SLEEVE, STEEL, 1.770IN. MAX ID BY 2.010IN. MAX OD BY 1.653IN. O/A LG	73460	5394		1	X	FB		
001660	046	GEAR HELICAL COUNTER SHAFT FOURTH SPEED	31007	238587R1		1	X	FB		
001661	047	GEAR, HELICAL COUNTER SHAFT 3RD SPEED	89345	238589R1		1	X	FB		
001662	048	KEY, WOODRUFF, STEEL, WHITNEY NO. 18, 1-1/8 IN. BY 1/4 IN. THK	K7766	46PT1		3	X	FB		
001663	049	COUNTER SHAFT	20009	863822R1		1	X	FB		
001664	050	BEARING, BALL, ANNULAR	38443	308MFG		1	X	FB		

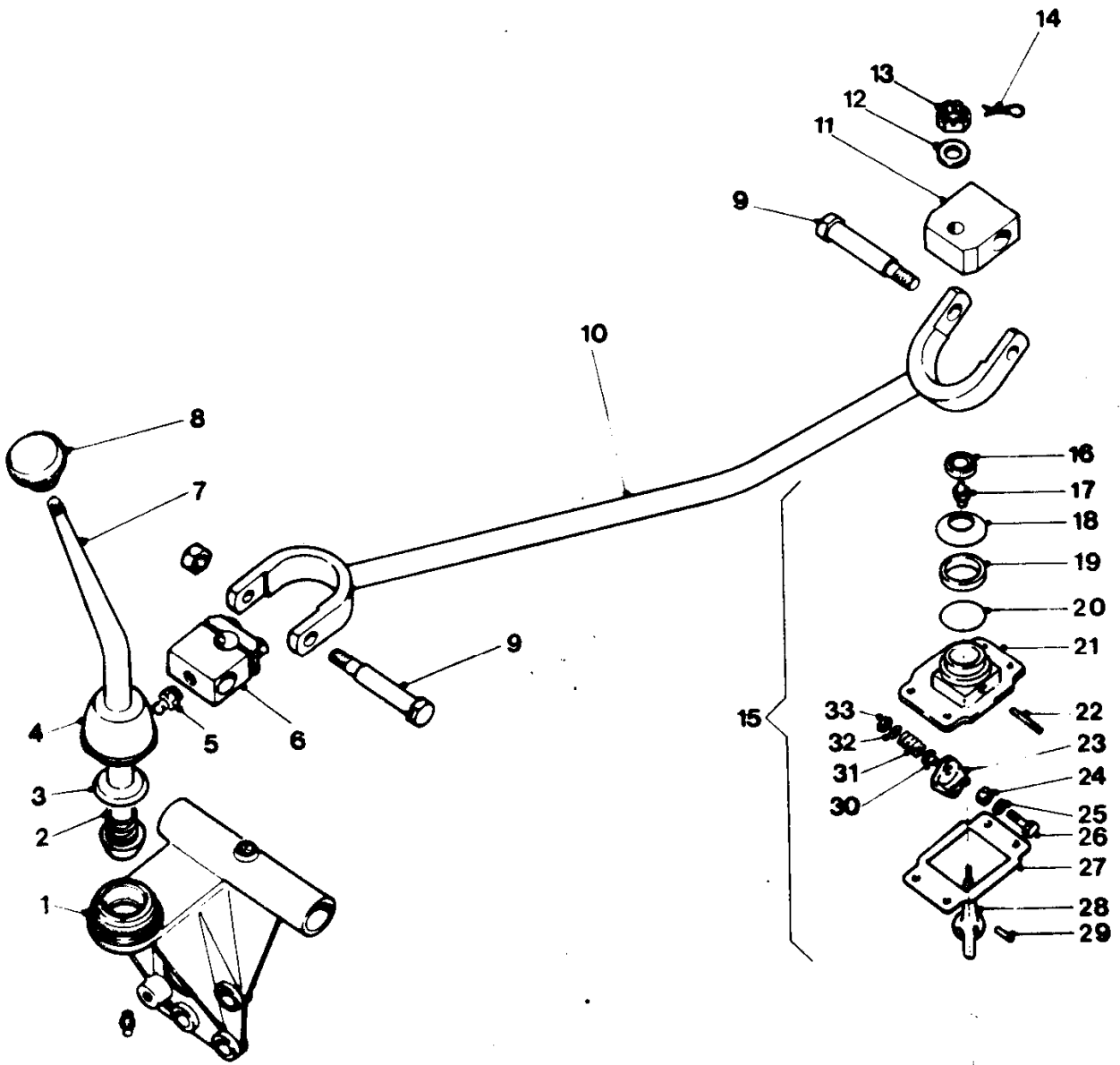
SERIAL NUMBER	GROUP & ITEM No.	DESIGNATION	MANUFACTURERS		NO. OFF	EXPL. CLASS.	NO. OF	REPAIR
			CODE	PART No.				
1	2	3	4	5	6	7	8	
001665	051	NUT, PLAIN, HEXAGON, STEEL, NEF, 1 1/4IN 2IN W ACROSS FLATS BY 0.50/IN O/A H	73460	8337	1	X		PB
001666	052	ROLLER, ASSEMBLY, JOUENAL BEARING, SINGLE ROW, SOLID ROLLERS, 1-1/8 IN. BY 1-5/8 IN. BY 1-5/8 IN.	08162	J36-1652	2	X		PB
001667	053	GEAR, REVERSE IDLER	89345	238615R1	1	X		PB
001668	000	WASHER THRUST, REVERSE IDLE GEAR	31007	681165R1	2	X		PB
001669	054	BEARING SLEEVE IDLER GEAR	89345	238632R1	1	X		PB
001670	055	RETAINER, MAIN TRANSFER, REVERSE IDLER GEAR SHAFT	35311	H2890	1	X		PB
001671	000	SCREW, MACHINE, UNC, 2A, SAE GRADE 5 STEEL, HEX HD, ZINC COATED, 3/8IN BY 3/4IN LG	80204	B18-2	1	X		PB
001672	000	WASHER, LOCK, SPRING, STEEL, SINGLE TURN, RECTANGULAR SECTION, CAD PLATED, 3/8 IN. BOLT SIZE	K7766	1802	1	X		PB
001673	056	SHAFT, TRANSMISSION	23382	2B4039	1	X		PB
001674	057	GEAR, MAIN DRIVE	89345	238579R1	1	X		PB
001675	058	BEARING, BALL, ANNULAR	31007	ST661	1	X		PB
001676	059	NUT MAINDRIVE GEAR BEARING	89345	255353R1	1	X		PB
001677	060	SEAL, PLAIN ENCASED	31007	440325C1	1	X		PB
001678	061	GASKET BEARING RETAINER	89345	238575R1	1	X		PB
001679	062	RETAINER W/SEAL, MAINDRIVE GEAR BEARING	89345	238576R11	1	X		PB
001680	000	SCREW, MACHINE, UNC, 2A, SAE GRADE 5 STEEL, HEX HD, ZINC COATED, 5/16 IN. BY 1 IN. LG	80204	B18-2	5	X		PB
001681	063	COVER, PLYWHEEL HOUSING	31007	155254R11	1	X		PB
001682	064	RING, RETAINING STEEL, INTERNAL, 2.813IN.ID BY 3.187IN.OD BY 0.065IN.MAJ.THK	73460	5398	1	X		PB
001683	065	PLUG, EXPANSION, STEEL, 3IN.OD BY 0.085IN.THK	61208	A2621B	1	X		PB
001684	066	COVER W/PLUG, TRANSMISSION	89345	238592R1	1	N		PB
001685	000	SCREW, MACHINE, UNC, 2A, SAE GRADE 5 STEEL, HEX HD, ZINC COATED, 5/8IN BY 1-1/4IN LG	31007	135561R1	1	X		PB
001686	000	WASHER, LOCK SPRING STEEL, SINGLE TURN, RECTANGULAR SECTION, CAD PLATED, 5/8IN BOLT SIZE	20745	5-8BOLTD	5	X		PB

S E R I A L	N U M B E R	G R O U P & I T E M N O.	D E S I G N A T I O N	M A N U F A C T U R E R S		N O O F F	E X P L O S I O N L E V E L	R E P A I R
				C O D E	P A R T N O.			
1	2	3	4	5		6	7	8
001687	000	BOLT MACHINE, UNC, 2A, SAE GRADE 5 STEEL, HEX HD, ZINC COATED, 5/8IN BY 1-3/4IN LG O/A	31007	135563R1		5	X	FB
001688	067	PLUG, PIPE, NPT, SQUARE HD, 1-1/4 IN.	10988	221-1837		1	X	UFB
001689	068	COVER, ACCESS, STEEL, 4-7/8 IN. LG, 6-1/4 IN. W, 0.213 IN. THK	31007	23045H		2	X	FB
001690	000	SCREW, MACHINE, UNC, 2A, SAE GRADE 5 STEEL, HEX HD, ZINC COATED, 3/8IN BY 3/4IN LG	80204	B18-2		12	X	UFB
001691	000	WASHER, LOCK, SPRING, STEEL, SINGLE TURN, RECTANGULAR SECTION, CAD PLATED, 3/8 IN. BOLT SIZE	K7766	1802		12	X	FB
001692	069	GASKET POWER TAKE OFF COVER	19207	5214787		2	X	UFB
001693	070	PLUG, PIPE, COUNTERSUNK, 3/4IN	89345	16843R1		1	X	UFB
001694	071	COVER WITH SEAL AND BUSHING, MAINSHAFT BEAR BEARING	89345	240814R91		1	X	FB
001695	000	SCREW, MACHINE, UNC, 2A, SAE GRADE 5 STEEL, HEX HD, ZINC COATED, 3/8 IN. BY 1 IN. LG	80204	B18-2		5	X	FB
001696	000	WASHER, LOCK, SPRING, STEEL, SINGLE TURN, RECTANGULAR SECTION, CAD PLATED, 3/8 IN. BOLT SIZE	K7766	1802		5	X	FB
001697	000	PLUG, SPEEDOMETER HOLE	89345	14189H		1	X	FB
001698	072	SEAL, PLAIN ENCASED, LEATHER ELEMENT, STEEL CASE, SPRING LOADED, 2.625IN SHAFT DIA, 3.250IN HOUSING DIA, 0.437IN W	92679	143873R91		1	X	FB
001699	073	GASKET GEAR BOX	89345	238597R2		1	X	FB
001700	074	SETSCREW, UNC, STEEL, HEX SOCKET DRIVE, OVAL POINT, 5/8 IN. BY 5/8 IN. LG	81348	FFS103TYPE3STYLE3		4	X	FB
001701	075	GASKET, SHIFT BAR HOUSING MOUNTING	53762	29063		1	X	FB
001702	076	NUT COMPANION FLANGE	89345	19853R1		1	X	FB
001703	077	WASHER COMPANION FLANGE NUT	89345	238633R1		1	X	FB
001704	000	GASKET SET TRANSMISSION	Z0009	876641R91		1	X	FB
001705	000	PLATE, MODIFICATION RECORD, VEHICLE GEARBOX OVERHAUL, ALUMINIUM, 3 1/2 IN. BY 1 3/4 IN.	Z2813	MG0V1056		1	X	B

S E R I A L	N U M B E R	G R O U P & I T E M N o.	D E S I G N A T I O N	M A N U F A C T U R E R S		N O O F F	E X P C L A S S	L I V E L	R E P A I R O F
				C O D E	P A R T N o.				
1	2	3	4	5	6	7	8		
001706	000	SPACER, SLEEVE, STEEL, 1.750IN ID, 2.375IN OD BY 0.9375IN LG	Z0009	ADE(V) 94-203-2	1	X			PB
001707	078	FLANGE, COUPLING TRANSFER OUTPUT	Z2813	ADE(V) 225-97	1	X			PB
001708	079	PLUG, SPEEDOMETER HOLE	89345	14189H	1	X			PB

GROUP EAA

RPS02031

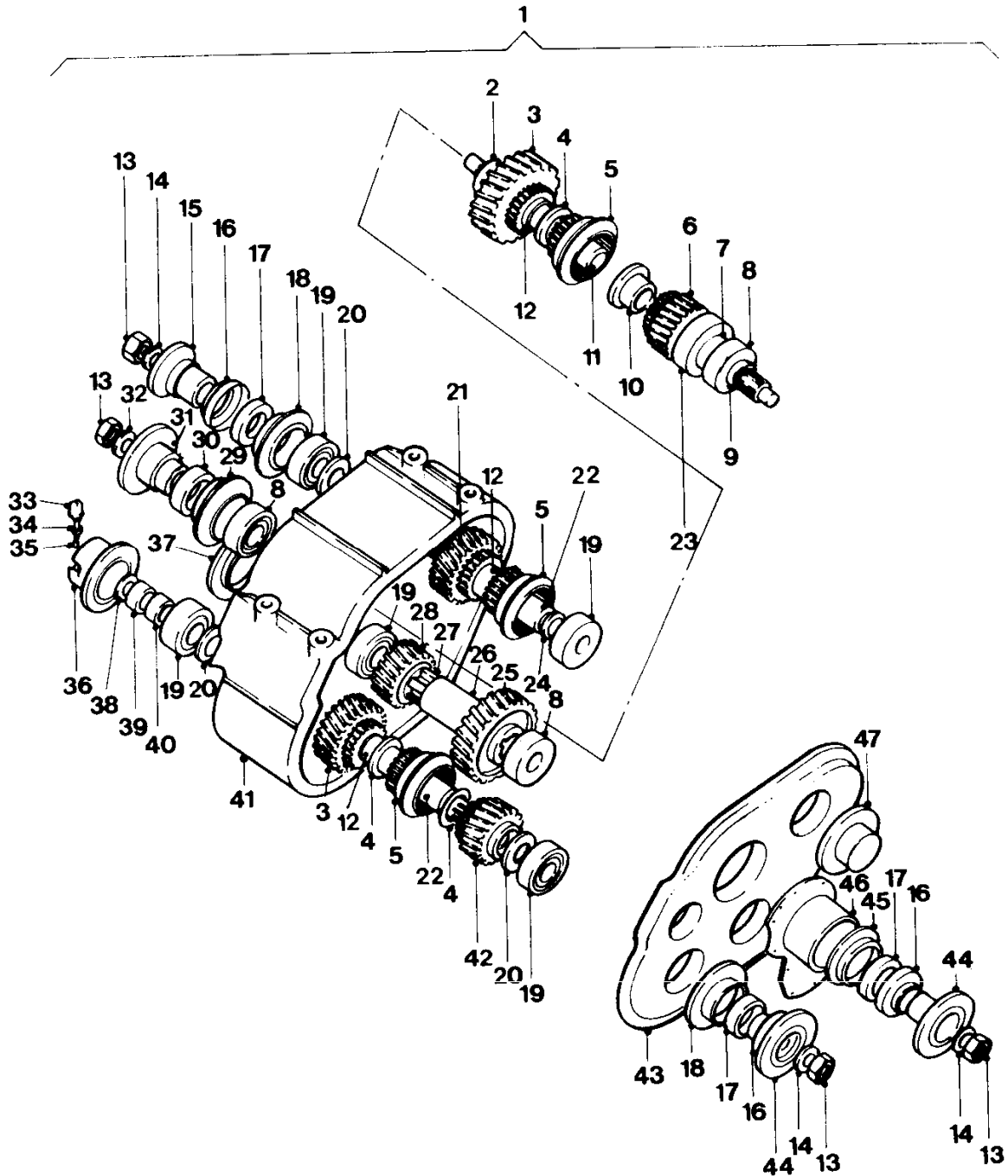


GEARBOX SHIFT CONTROLS

S E R I A L	N U M B E R	G R O U P & I T E M N o.	D E S I G N A T I O N	M A N U F A C T U R E R S		N O O F F	E X P L O S I V E	L E V E L	O F	R E P A I R
				C O D E	P A R T N o.					
1	2	3	4	5		6	7	8		
001727	EAA	GEARBOX SHIFT CONTROLS								
001728	001	BRACKET ASSEMBLY, MOUNTING SLAVE SYLINDER AND SHIFT HOUSING	Z2813	ADE(V) 225-671		1	X			PB
001729	000	SCREW, MACHINE, UNC, 2A, SAE GRADE 5 STEEL, HEX HD, ZINC COATED, 1/2IN BY 1-1/4IN LG	80204	B18-2		2	X			PB
001730	000	BOLT, MACHINE, UNC, 2A, SAE GRADE 8 STEEL, HEX HD, CAD PLATED, 1/2IN BY 4IN, THREADED 2.3/4IN	K2813	ADEV225-676		1	X			PB
001731	000	WASHER, LOCK, STEEL, SPRING, SINGLE TURN, RECTANGULAR SECTION, CAD PLATED, 1/2 IN. BOLT SIZE	K7766	1802		4	X			PB
001732	000	NUT, PLAIN, HEXAGON, UNC 2B, STEEL, FORMED, ZINC COATED, 1/2IN	80204	B18-2		1	X			PB
001733	002	SPRING, HELICAL, COMPRESSION	23040	B7227		1	X			PB
001734	003	WASHER, RECESSED GEAR SHIFT SPRING	31007	82192R1		1	X			PB
001735	004	COVER, CONTROL	31007	82078R1		1	X			PB
001736	005	FITTING, LUBRICATION, HYDRAULIC TYPE, STEEL, CAD OR ZINC COATED, 1/8-27 NPTF, IRYSEAL 90 DEG ANGLE	96906	MS15003-6		2	X			UPB
001737	006	BLOCK REMOTE CONTROL LEVER, SHIFT LEVER END	Z0009	886480R11		1	X			PB
001738	000	BOLT, MACHINE, UNF, 2A, SAE GRADE 5 STEEL, HEX HD, ZINC COATED, 5/16 IN. BY 1-1/4 IN. LG	80204	B18-2-1		2	X			PB
001739	000	WASHER, LOCK, SPRING, STEEL, SINGLE TURN, RECTANGULAR SECTION, CAD PLATED, 5/16 IN. BOLT SIZE	17600	DX252		2	X			PB
001740	007	LEVER, MANUAL CONTROL	Z0020	ADEV94-229		1	X			B
001741	008	KNOB SHIFT LEVER	31007	16780H		1	X			UPB
001742	009	BOLT, SHOULDER, UNF, 2A, STEEL, HEX HD, 3/8IN. BY 3-460IN. LG	Z0009	886484R1		2	X			UPB
001743	000	WASHER, LOCK, SPRING, STEEL, SINGLE TURN, RECTANGULAR SECTION, CAD PLATED, 3/8 IN. BOLT SIZE	K7766	1802		2	X			UPB
001744	000	NUT, SELF-LOCKING, HEXAGON, UNF, 2B P STEEL, TYPE P, ZINC COATED, 3/8IN W/BYLON INSERT	Z0635	NPD126/11/6		2	X			UPB

SERIAL	NUMBER	GROUP & ITEM No.	DESIGNATION	MANUFACTURERS		NO OFF	EXP. CLASS	LEVER	OF	REPAIR
				CODE	PART No.					
1	2	3	4	5		6	7	8		
001745	000	BEARING, SLEEVE, BRONZE, 0.502 IN. ID BY 0.755 IN. OD BY 0.775 IN. O/A LG	Z0009	886483R1		4	X			UFB
001746	010	ROD ASSEMBLY REMOTE CONTROL TO GEAR BOX	Z0009	856635R11		1	X			FB
001747	011	BLOCK, REMOTE CONTROL LEVER, TRANSMISSION END	Z0009	886482R1		1	X			FB
001748	012	WASHER, FLAT, RD, STEEL, ZINC COATED, SMALL, 1/2 IN. BOLT SIZE, 1 IN. OD, 0.092 IN. THK	Z0544	B117		1	X			FB
001749	013	NUT, SLOTTED, HEXAGON, UNF 2B, STEEL, FORMED, ZINC COATED, 1/2IN	80204	B18-2		1	X			FB
001750	014	PIN, COTTER, SPLIT, MILD STEEL, 1/8 IN. BY 1-1/4 IN. LG	24617	103386		1	X			FB
001751	015	HOUSING ASSEMBLY SHIFT LEVER, CONTROL	Z0009	857734R91		1	N			FB
001752	016	WASHER, FINISHING, GEAR SHIFT SPRING	31007	70343R1		1	X			FB
001753	017	SPRING, SPECIAL, CONTROL LEVER	31007	70344R1		1	X			FB
001754	018	CAP GEAR SHIFT LEVER	89345	70342R1		1	X			FB
001755	019	WASHER, NON METALLIC GEAR LEVER	31007	70345R1		1	X			FB
001756	020	RING, RETAINING PIVOT PIN	89345	70323R1		1	X			FB
001757	021	HOUSING REMOTE CONTROL LEVER	31007	238572R1		1	X			B
001758	000	WASHER, LOCK, SPRING STEEL, SINGLE TURN, RECTANGULAR SECTION, CAD PLATED, 7/16 IN BOLT SIZE	K7766	1802		4	X			FB
001759	000	SCREW, MACHINE, UNC, 2A, SAE GRADE 5 STEEL, HEX HD, ZINC COATED, 7/16IN BY 1-1/4IN LG	80204	B18-2		4	X			FB
001760	022	PIN, STRAIGHT, HEADLESS, CONTROL LEVER PIVOT	31007	70341R1		1	X			FB
001761	023	LEVER SHIFT CONTROL	31007	238624R2		1	X			FB
001762	024	NUT, PLAIN, HEXAGON, UNF 2B, STEEL, FORMED, ZINC COATED, 1/2IN	80204	B18-2		1	X			FB
001763	025	WASHER, LOCK, STEEL, SPRING, SINGLE TURN, RECTANGULAR SECTION, CAD PLATED, 1/2 IN. BOLT SIZE	K7766	1802		1	X			FB
001764	026	BOLT, SHIFTING LEVER, FIRST AND REVERSE SHIFTER FINGER	31007	256067C1		1	X			FB

S E R I A L	N U M B E R	G R O U P & I T E M N o.	D E S I G N A T I O N	M A N U F A C T U R E R S		N O O F F	E X P. C L A S S	L E V E L	O F	R E P A I R
				C O D E	P A R T N o.					
1	2	3	4	5	6	7	8			
001765	027	GASKET, CONTROL LEVER HOUSING	31007	238571R1	1	X	FB			
001766	028	LEVER ASSEMBLY, GEAR SHIFT REMOTE CONTROL	Z0009	857733R1	1	X	FB			
001767	029	PIN, STRAIGHT, HEADLESS, CONTROL LEVER SPRING RETAINER	89345	70354R1	1	X	FB			
001768	030	PLUNGER, SHIPT BLOCK 1ST AND REVERSE SPEED	89345	238625R1	1	X	FB			
001769	031	SPRING HELICAL COMPRESSION PLUNGER	89345	238626R1	1	X	FB			
001770	032	WASHER, FLAT, RETAINER, SHIPT LEVER CONTROL HOUSING	Z0009	873472R1	1	X	FB			
001771	033	RING, RETAINING LEVER, GEAR SHIPT	89345	238627R1	1	X	FB			



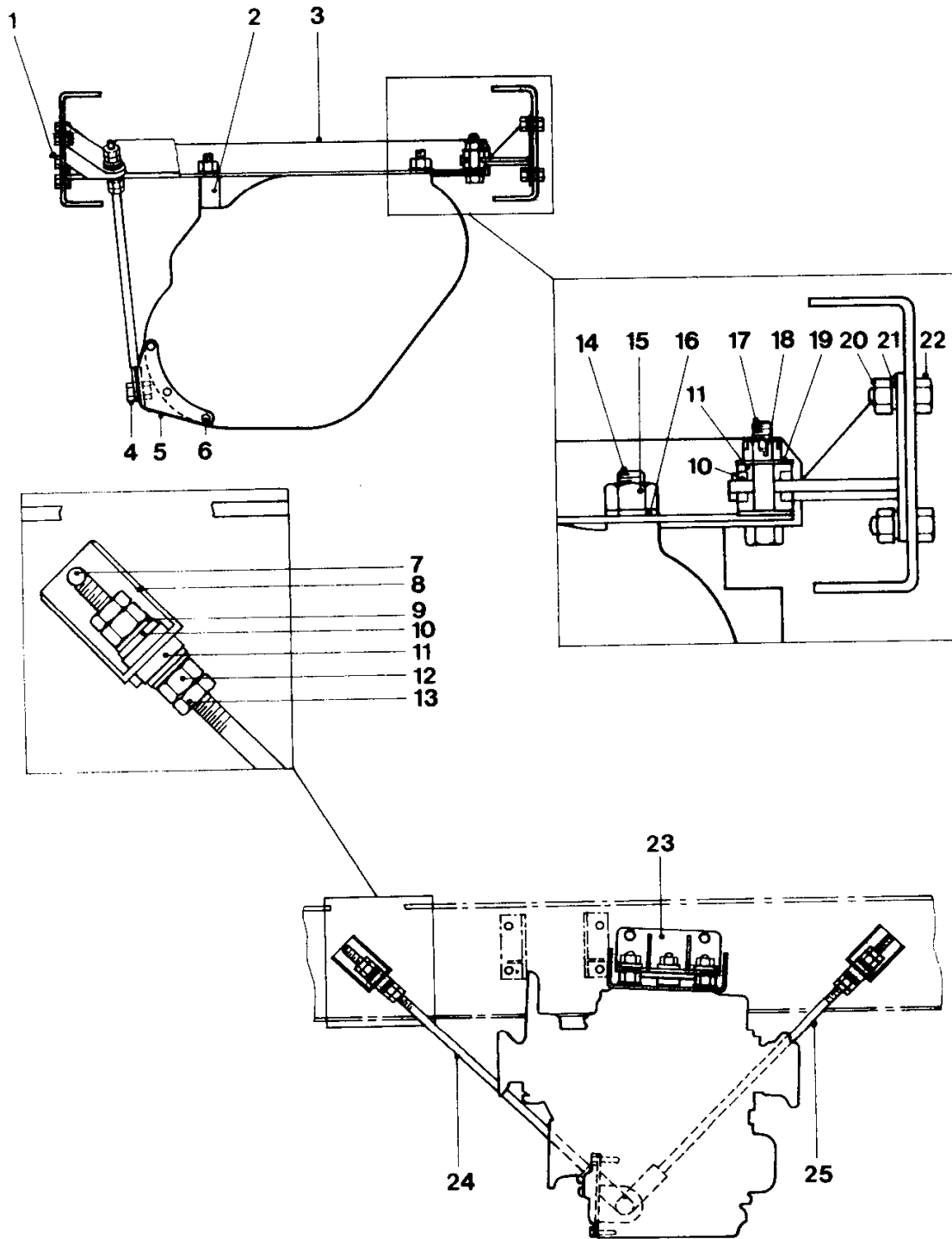
TRANSFER CASE ASSEMBLY

S E R I A L	N U M B E R	G R O U P & I T E M N o	D E S I G N A T I O N	M A N U F A C T U R E R S		N O O F F	E X P. C L A S S	L E V E L	O F	R E P A I R
				C O D E	P A R T N o.					
1	2	3	4	5		6	7	8		
001792	EB	TRANSFER CASE ASSEMBLY								
001793	001	TRANSFER TRANSMISSION ASSEMBLY	Z0020	ADEV55-2		1	N			PB
001794	002	WASHER, THRUST OUTPUT SHAFT	Z2813	ADE(V) 55-16		1	X			B
001795	003	GEAR CLUSTER, HELICAL-SPUR OUTPUT AND DRIVE SHAFT	Z2813	TSE(V) 88-78		2	X			B
001796	004	WASHER, THRUST, SLIDING SLEEVE	Z0020	TSEV88-16		4	X			B
001797	005	GEAR, INTERNAL	Z2813	TSE(V) 88-17		3	X			B
001798	006	GEARSHAFT, SPUR INPUT	Z0020	ADEV21-8		1	X			B
001799	007	SPACER, SLEEVE, STEEL, 1.109 IN. LG, 2-1/2 IN. OD, 2.028IN. ID	Z0020	ADE(V) 21-15		1	X			B
001800	008	CONE AND ROLLER, TAPERED ROLLER BEARING, SINGLE ROW, STRAIGHT BORE, NORMAL ANGLE, RETAINER TYPE, 2.000 IN. BY 1.420 IN.	08162	BT529		2	X			B
001801	000	CUP, TAPERED ROLLER BEARING, SINGLE ROW, -BY 4.000IN BY 1.0625IN	08162	BT522		2	X			B
001802	C09	SPACER COMPANION FANGE	Z2813	ADE(V) 21-16		1	X			B
001803	010	BEARING, SLEEVE, INPUT SHAFT	Z0020	ADEV21-7		1	X			B
001804	011	GEARSHAFT, SPUR, OUTPUT	Z2813	ADE(V) 21-10		1	X			B
001805	012	BEARING, SLEEVE, POWER TAKE OFF SHAFT	Z0020	TSEV88-76		4	X			B
001806	013	NUT, SLOTTED, HEXAGON, UNEF, 3B STEEL, 1-1/8IN BY 1-5/8IN W ACROSS FLATS BY 1/2IN H	31007	117804H		4	X			UPB
001807	000	PIN, COTTER SPLIT, MILD STEEL, 1/8IN BY 2IN LG	K7766	1574		4	X			UPB
001808	014	WASHER, FLAT, ROUND, STEEL, 1-5/32 IN. ID BY 1-7/8 IN. OD BY 5/32 IN THK	31007	54457H		3	X			UPB
001809	015	FLANGE COUPLING half shaft	Z0020	ADEV21-2		1	X			PB
001810	016	DEFLECTOR, DIRT AND LIQUID STEEL 4IN DIA 1-1/16IN H WITH 2.497IN DIA SHAFT OPENING	Z2813	ADE(V) 21-17		3	X			B
001811	017	SEAL, PLAIN ENCASED, STEEL CASE, ONE FELT AND ONE SPRING LOADED LEATHER ELEMENT, 2-3/8 IN. SHAFT DIA, 3-3/8 IN. BORE DIA, 3/4 IN. W	Z1268	3379-224X 3-4SLP		3	X			UPB
001812	018	RETAINER, OIL SEAL, PTY & FRONT WHEEL DRIVE	Z2813	ADEV55-12REV 4		2	X			B

SERIAL	NUMBER	GROUP & ITEM No.	DESIGNATION	MANUFACTURERS		NO OF	EXP CLASS	LEVEL	OF	REPAIR
				CODE	PART No.					
1	2	3	4	5		6	7	8		
001813	000	WASHER, FLAT, RD, STEEL, 3-3/8 ON. ID, BY 3.990 IN. OD BY 0.169 IN. THK	Z0020	TSEV88-13		2	X	B		
001814	000	SCREW, MACHINE, UNF, 2A, SAE GRADE 5 STEEL, HEX HD, ZINC COATED, 5/16 IN. BY 1 IN. LG	80204	B18-2-1		45	X	UPB		
001815	000	WASHER, LOCK, SPRING, STEEL, SINGLE TURN, RECTANGULAR SECTION, CAD PLATED, 5/16 IN. BOLT SIZE	17600	DX252		45	X	UPB		
001816	019	CONE AND ROLLERS, TAPERED ROLLER BEARING, SINGLE ROW, RETAINER TUPE, STRAIGHT BORE, NORMAL ANGLE, 1.750IN BY---BY 1.420IN	08162	BT567		6	X	PB		
001817	000	CUP, TAPERED ROLLER BEARING, SINGLE ROW, -BY 4.000IN BY 1.0625IN	08162	BT522		5	X	PB		
001818	020	WASHER, THRUST, PTO GEAR AND FWD GEAR	Z0020	TSEV88-14		3	X	PB		
001819	000	SHIM SET POWER TAKE OFF SHAFT	Z2813	TSEV88-44		1	X	B		
001820	021	GEAR, POWER TAKE OFF SHAFT	Z2813	TSE(V) 88-77		1	X	B		
001821	022	GEARSHAFT, SPUR, FRONT WHEEL DRIVE AND POWER TAKE OFF	Z2813	ADE(V) 21-12		2	X	B		
001822	023	CONE AND ROLLERS, TAPERED ROLLER BEARING, SINGLE ROW, STRAIGHT BORE, RETAINER TYPE, NOTMAL ANGLE, 2.250IN BY-BY 1.625IN	08162	BT623		1	X	B		
001823	000	CUP, TAPERED ROLLER BEARING, SINGLE ROW, 4.7500 IN. OD BY 1.2500 IN. LG	65282	A42486X		1	X	B		
001824	024	WASHER, FLAT, POWER TAKE OFF SHAFT	Z0020	TSEV88-52		1	X	B		
001825	025	GEAR, HELICAL, LAYSHAFT, 33 TEETH	Z2813	TSEV88-31		1	X	B		
001826	026	SPACER, SLEEVE, STEEL, 2-1/4 IN. ID, 3 IN. OD, 2.739 IN. LG	Z2813	TSEV88-30		1	X	B		
001827	027	LAYSHAFT TRANSFER CASE	Z0020	TSEV88-28		1	X	B		
001828	000	SHIM SET LAYSHAFT	Z2813	TSE(V) 88-46		1	X	B		
001829	028	GEAR, HELICAL, LAYSHAFT, 22 TEETH	Z2813	TSEV88-29		1	X	B		
001830	029	RETAINER, OIL SEAL	Z2813	ADEV55-7REV6		1	X	B		

S E R I A L	N U M B E R	G R O U P & I T E M N o.	D E S I G N A T I O N	M A N U F A C T U R E R S		N O O F	E X P L A S S	L E V E L	O F	R E P A I R
				C O D E	P A R T N o.					
1	2	3	4	5		6	7	8		
001831	030	SEAL, PLAIN ENCASED, STEEL CASE, LEATHER AND FELT ELEMENTS, 2.563 IN. SHAFT SIZE, 3.500 IN. BORE DIA, 0.750 IN. W	Z0639	13740		1	X			UPB
001832	031	FLANGE COUPLING TRANSFER CASE 2IN SHAFT	Z0020	ADE(V) 21- 11		1	X			B
001833	032	WSHER, FLAT, OUTPUT SHAFT	Z0020	ADE(V) 55- 15		1	X			UPB
001834	033	SLEEVE AND SEAL, SPEEDOMETER DRIVE JOINT DRIVEN GEAR	31007	128584HX		1	X			UPB
001835	034	GEAR SHAFT, SPUR, SPEEDO	31007	63287H		1	X			UPB
001836	035	BEARING, SLEEVE	31007	26905H		1	X			UPB
001837	036	HOUSING, MECHANICAL DEIVE, SPEEDOMETER GEAR	Z2813	ADE(V) 55- 11		1	X			B
001838	037	PLATE, RETAINING, BEARING, LAYSHAFT	Z2813	ADE(V) 55- 10-REV3		1	X			B
001839	038	WASHER, FLAT STEEL, RD, 13/32IN ID BY 1-3/4IN OD BY 3/16IN THK	Z2813	TSEV88-34		1	X			B
001840	039	GEAR, SPEEDOMETER	31007	82229R1		1	X			B
001841	040	SPACER, SLEEVE, STEEL, 1.380IN. ID, 2 IN. OD, 0.805 IN. LG	Z2813	TSEV88-35		1	X			B
001842	000	SHIM SET FRONT WHEEL DRIVE SHAFT	Z2813	TSE(V) 88-47		1	X			B
001843	041	CASE, TRANSFER TRANSMISSION ASSEMBLY	Z0020	ADEV55-3		1	N			B
001844	000	GASKET COVER TO TRANSFER CASE	Z2813	TSE(V) 88- 38		1	X			UPB
001845	042	GEAR CLUSTER, HELICAL-SPUR FRONT WHEEL DRIVE SHAFT	Z0020	TSEV88-79		1	X			B
001846	043	SIDE COVER , TRANS CASE				1				
001847	044	FLANGE COUPLING TRANSFER CASE 1-3/4 IN SHAFT	Z0020	ADEV21-9		2	X			B
001848	045	RETAINER, OIL SEAL, INPUT SHAFT	Z2813	ADEV55-9REV3		1	X			B
001849	046	HOUSING, BEARING UNIT, FLANGE HOUSING.	Z2813	ADE(V) 55- 8		1	X			B
001850	000	GASKET, BEARING HOUSING INPUT SHAFT	Z0020	ADEV21-19		1	X			FB
001851	047	COVER, OUTPUT SHAFT, PTO	Z0020	ADEV55-6		1	X			B
001852	000	GASKET, COVER, PTO & FWD SHAFT	Z0020	ADEV21-18		2	X			FB
001853	000	SHIM SET, OUTPUT SHAFT	Z2813	ADEV5517		1	X			B

SERIAL	NUMBER	GROUP & ITEM No.	DESIGNATION	MANUFACTURERS		NO OFF	EXP. CLASS	LEVEL	OF	REPAIR
				CODE	PART No.					
1	2		3	4	5	6	7			8
001854	000		VALVE, AIR PRESSURE RELIEF, STEEL, 0.438PSI, 1/8 NIP	19207	5196397	1	X			UPB
001855	000		PLUG, PIPE, SQ HD, EXT, 3/4-14 NPTF ORT, DRYSPAL TAPER THREAD	31007	444753	2	X			UPB



TRANSFER CASE MOUNTINGS

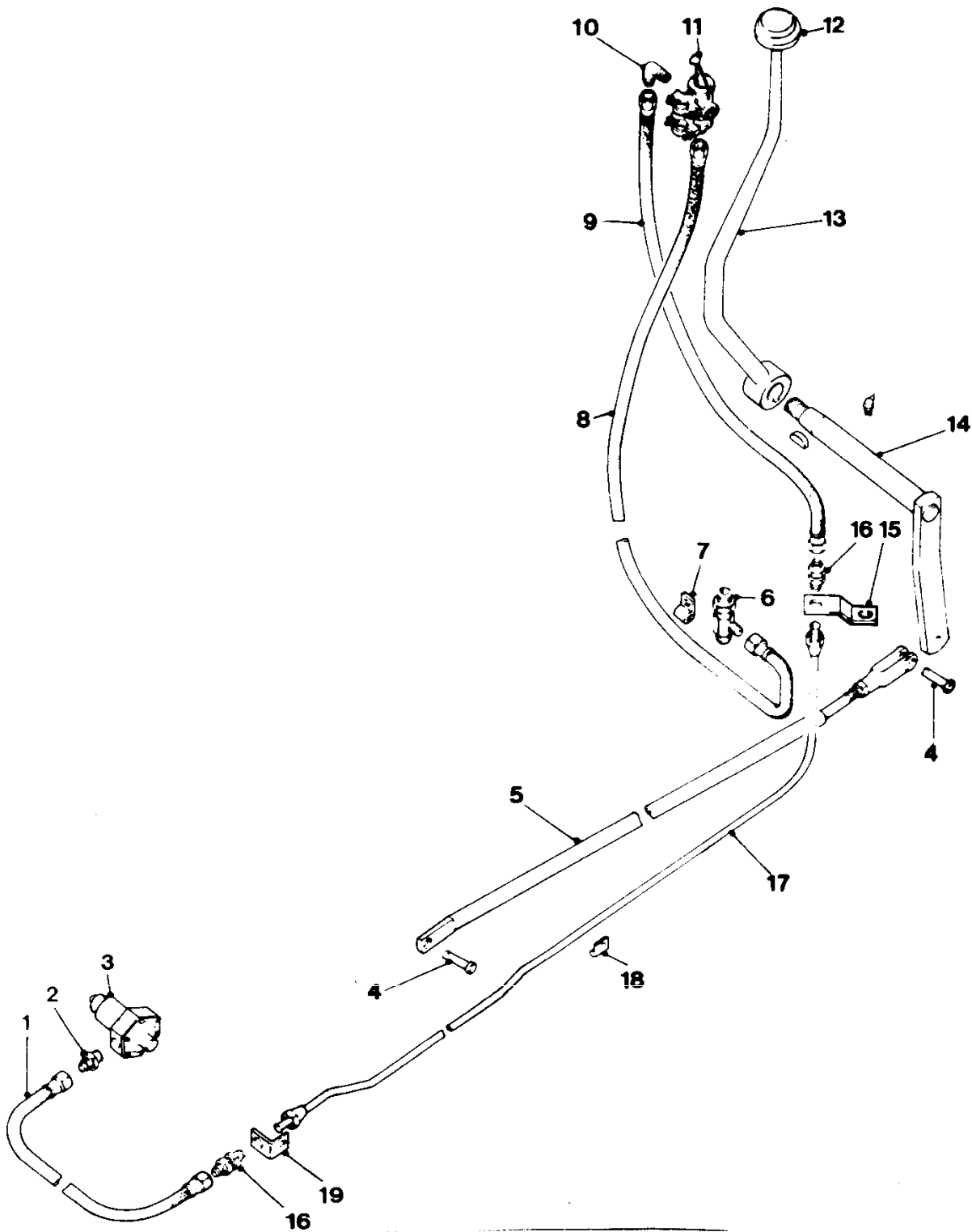
S E R I A L	N U M B E R	G R O U P & I T E M N o.	D E S I G N A T I O N	M A N U F A C T U R E R S		N O O F F	E X P L O S I V E	L E V E L	O F	R E P A I R
				C O D E	P A R T N o.					
1	2		3	4	5	6	7	8		
001876	EBA		TRANSFER CASE MOUNTINGS							
001877	001		BOLT, MACHINE, UNF, 2A, SAE GRADE 5 STEEL, HEX HD; ZINC COATED 3/8IN BY 2-1/4IN LG	8Q204	B18-2	1	X			PB
001878	000		NUT, PLAIN, HEXAGON, UNF 2B, STEEL, FORMED, ZINC COATED, 3/8IN	8Q204	B18-2	1	X			PB
001879	000		WASHER, LOCK, SPRING, STEEL, SINGLE TURN, RECTANGULAR SECTION, CAD PLATED, 3/8 IN. BOLT SIZE	K7766	1802	1	X			PB
001880	002		SPACER, SLEEVE, TRANSFER CASE TO CROSSMEMBER	Z2813	TSE(V) 93-113	2	X			PB
001881	003		CROSSMEMBER, TRANSFER CASE ASSEMBLY	Z0020	ADEV225-10	1	X			B
001882	004		STUD, PLAIN, STEEL, 5/8IN-11, UNC2A, 5/8IN LG, 5/8IN-18UNF 2A 1IN LG BY 2IN C/A LG	Z2813	ADEV225-337	1	X			PB
001883	000		NUT, PLAIN, HEXAGON, UNF, 2B, STEEL, FORMED, ZINC COATED, 5/8IN	8Q204	B18-2	1	X			PB
001884	000		WASHER, LOCK SPRING STEEL, SINGLE TURN, RECTANGULAR SECTION, CAD PLATED, 5/8IN BOLT SIZE	Z0745	5-8BOLTD	1	X			PB
001885	005		BRACKET, TRANSFER CASE	Z0020	TSEcVe930114	1	X			PB
001886	006		BOLT, MACHINE, UNF, 2A, SAE GRADE 5 STEEL, HEX HD, ZINC COATED, 3/8IN BY 1-3/4IN LG	8Q204	B18-2	3	X			PB
001887	000		WASHER, LOCK, SPRING, STEEL, SINGLE TURN, RECTANGULAR SECTION, CAD PLATED, 3/8 IN. BOLT SIZE	K7766	1802	3	X			PB
001888	000		WASHER, FLAT, RD, STEEL, ZINC COATED, SMALL, 3/8 IN. BOLT SIZE, 3/4 IN. OD BY 0.072 IN. THK	Z0544	B117	3	X			PB
001889	007		SCREW, MACHINE, UNF, 2A, SAE GRADE 5 STEEL, HEX HD, ZINC COATED, 3/8IN BY 1IN LG	8Q204	B18-2	3	X			PB
001890	000		NUT, PLAIN, HEXAGON, UNF 2B, STEEL, FORMED, ZINC COATED, 3/8IN	8Q204	B18-2	3	X			PB
001891	000		WASHER, LOCK, SPRING, STEEL, SINGLE TURN, RECTANGULAR SECTION, CAD PLATED, 3/8 IN. BOLT SIZE	K7766	1802	3	X			PB
001892	008		BRACKET, STAY ROD	Z0020	TSEcVe93-116	2	X			PB
001893	009		WASHER FLAT STEEL 11/16 IN ID X 1-1/2 IN OD			16				

SERIAL	NUMBER	GROUP & ITEM No.	DESIGNATION	MANUFACTURERS		NO	OFF	EXPL CLASS	LEVEL	OF	REPAIR
				CODE	PART No.						
1	2	3	4	5	6	7	8				
001894	010	RETAINER, RUBBER MOUNTING	Z0020	TSEV93-138	15	X	PB				
001895	011	BUSHING, RUBBER, SYNTHETIC, FLANGED, 0.640 IN. ID, 0.984IN. OD, 0.625 IN. O/A LG, FLANGE 1.516 IN. DIA, 0.547 IN. THK	Z2813	TSEV93-139	16	X	PB				
001896	012	NUT, PLAIN, HEXAGON, UNF, 2B, STEEL, FORMED, ZINC COATED, 5/8IN	80204	B18-2	4	X	PB				
001897	013	NUT, PLAIN, HEXAGON, UNF 2B A STEEL, LOCK, ZINC COATED, 5/8IN	Z0544	B147	4	X	PB				
001898	014	STUD, PLAIN, UNF, 2A, STEEL 3/4IN-16BY 0.870IN THD LG BY 3/4IN, -16 BY 1.120IN THD LG BY 2.120 IN O/A LG	Z2813	ADEV55-18	2	X	PB				
001899	000	STUD, PLAIN, UNF, 2A, STEEL, 3/4IN-16 BY 0.870IN THD LG BY 3/4IN-16 BY 1.120 N THD LG BY 4.620IN O/A LG	Z2813	ADEV55-19	2	X	PB				
001900	015	NUT, PLAIN, HEXAGON, UNF 2B, STEEL, FORMED, ZINC COATED, 3/4IN	8Q204	B18-2	4	X	PB				
001901	016	WASHER, LOCK SPRING STEEL, SINGLE TURN, RECTANGULAR SECTION, CAD PLATED, 3/4IN BOLT SIZE	Z0745	3-4BOLTD	4	X	PB				
001902	017	BOLT, MACHINE, MOUNTING TRANSFER CASE	Z0020	TSEV93-920	6	X	PB				
001903	018	NUT, SLOTTED, HEXAGON, UNF 2B STEEL, FINISHED, ZINC COATED, 5/8-18BY 15/16IN W A/P BY 35/64IN H, W/WASHER FACED BEARING SURFACE	Z0570	2306	6	X	PB				
001904	019	WASHER, FLAT, RD, STEEL, ZINC COATED, SMALL, 5/8 IN. BOLT SIZE, 1-1/4 IN. CD, BY0.116 IN. THK	U1030	3300	5	X	PB				
001905	020	NUT, PLAIN, HEXAGON, UNF 2B, STEEL, FORMED, ZINC COATED, 1/2IN	8Q204	B18-2	3	X	PB				
001906	021	WASHER, LOCK, STEEL, SPRING, SINGLE TURN, RECTANGULAR SECTION, CAD PLATED, 1/2 IN. BOLT SIZE	K7766	1802	9	X	PB				
001907	022	SCREW, MACHINE, UNF, 2A, SAE GRADE 5 STEEL, HEX HD, ZINC COATED, 1/2 IN. BY 1-1/4 IN.	80204	B18-2	8	X	PB				
001908	023	BRACKET, SUPPORT CRCSMEMBER	Z2813	TSE(V) 93-111	2	X	PB				
001909	024	STAY ROD, TRANSFER CASE FRONT	Z0020	TSEcVe93-112	1	X	PB				
001910	025	STAY ROD, TRANSFER CASE REAR	Z0020	TSEcVe93-115	1	X	PB				

FOOTNOTE: PAGE 79 INTENTIONALLY NOT INCLUDED IN THIS RPS

GROUP EBB

RPS02031



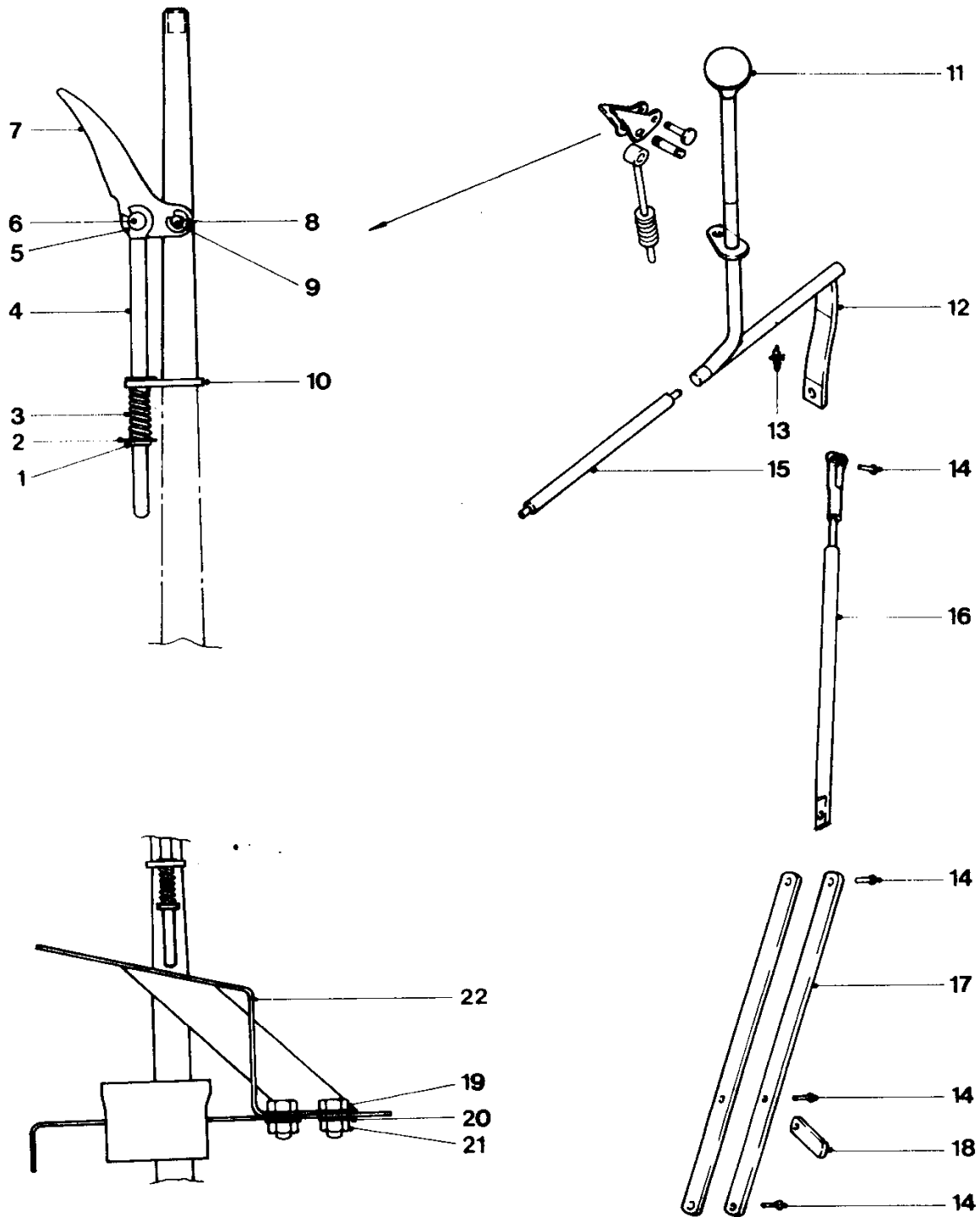
TRANSFER CASE CONTROLS

SERIAL NUMBER	GROUP & ITEM No.	DESIGNATION	MANUFACTURERS		NO OFF	EXPL CLASS	LEVEL	OF	REPAIR
			CODE	PART No.					
1	2	3	4	5	6	7	8		
001931	EBB	TRANSFER CASE CONTRCLS							
001932	001	HOSE ASSEMBLY, RUBBER CHASSIS TO TRANSFER CASE	Z0020	ADEV94-276-1	1	X		UPB	
001933	002	ADAPTER, STRAIGHT, PIPE TO TUBE, BRASS, U/W 1/4 IN. OD TUBE, 1ST END 7/16 IN. UNF EXT 45 DEG SEAT, 2ND END 1/8 IN. NPTF EXT, 1-1/16 IN. O/A LG	Z0160	2000-2-4	1	X		UPB	
001934	003	CYLINDER ASSEMBLY, SHIPT TRANSFER CASE (REFER SERIAL 2082)			1				
001935	004	PIN, STRAIGHT, HEADED, STEEL, CAD OR ZINC COATED, 3/8 IN. DIA BY 1-3/32 IN. LG DRILLED FOR COTTER PIN	24617	138084	2	X		UPB	
001936	000	PIN, COTTER, SPLIT, STEEL, CAD PLATED W/CHROMATE, 3/32 IN. DIA BY 3/4 IN. LG	50513	BB16266	2	X		UPB	
001937	005	CONNECTING LINK, RIGID	Z2813	ADEV225-122	1	X		PB	
001938	000	CLEVIS, ROD END,	31007	10764V	1	X		PB	
001939	000	NUT, PLAIN, HEXAGON, UNF 2B, STEEL, FORMED, ZINC COATED, 3/8IN	80204	B18-2	1	X		PB	
001940	006	TEE, TUBE, BRASS, 1ST & 2ND ENDS THD 5/8 IN. UNF EXT, 3RD END THD 7/16 IN. UNF EXT	Z0020	ADEV94-281	1	X		PB	
001941	007	CLIP CLOSE			1				
001942	000	SCREW, MACHINE, UNF, 2A, SAE GRADE 5 STEEL, HEX HD, ZINC COATED, 1/4IN BY 1/2IN LG	Z1272	030-111	1	X		PB	
001943	000	NUT, PLAIN, HEXAGON, UNF, 2B, STEEL, FORMED, ZINC COATED, 1/4 IN.	80204	B18-2	1	X		PB	
001944	000	WASHER, LOCK, SPRING STEEL, SINGLE TURN, RECTANGULAR SECTION, CAD PLATED, 1/4IN BOLT SIZE	K7766	1802	1	X		PB	
001945	008	HOSE ASSEMBLY, RUBBER INLET TEE TO VALVE	Z2813	ADE(V) 94-276-3	1	X		PB	
001946	009	HOSE ASSEMBLY, RUBBER SHIFT LEVER TO CHASSIS	Z0020	ADE(V) 94-276-2	1	X		PB	
001947	010	ELBOW, PIPE TO TUBE, COPPER ALLOY, 90 DEG, U/W 1/4 IN. OD TUBE 1ST END, 7/16 IN. UNF/M-3, 45 DEG SEAT, 0.880 IN. LG, 2ND END 1/8 IN. NPTF/M 0.750 IN. LG	84768	B3111	1	X		PB	
001948	011	VALVE ASSEMBLY, CCNTBCL TRANSFER CASE (REFER SERIAL 2119)			1				

SERIAL	NUMBER	GROUP & ITEM No	DESIGNATION	MANUFACTURERS		NO OF	EXPL CLASS	LEVEL	OF	REPAIR
				CODE	PART No.					
1	2	3	4	5	6	7	8			
001949	012		KNOB SHIFT LEVER	31007	16780H	1	X			UPB
001950	013		LEVER ASSEMBLY, TRANSFER CASE CONTROL	Z0020	ADE(V) 225-152	1	X			PB
001951	014		ARM ASSEMBLY TRANSFER TRANSMISSION CONTROL	Z2813	ADE(V) 225-147	1	X			PB
001952	000		FITTING, LUBRICATION, HYDRAULIC, STEEL, 45 DEG ANGLE, 1/8IN NPT/M	ZQ200	HA138	1	X			UPB
001953	000		KEY, WOODRUFF STEEL, WHITNEY NO A, 7/8IN BY 1/4IN THK	K7766	46PT1	1	X			PB
001954	000		NUT, PLAIN, HEXAGON, UNF 2B, STEEL, FORMED, ZINC COATED, 3/4IN	80204	B18-2	1	X			PB
001955	000		WASHER, LOCK SPRING STEEL, SINGLE TURN, RECTANGULAR SECTION, CAD PLATED, 3/4IN BOLT SIZE	Z0745	3-4BOLTD	1	X			PB
001956	015		BRACKET REAR ENG CROSSMEMBER			1				
001957	016		ADAPTER, STRAIGHT, PIPE TO HOSE, BRASS, BCTH ENDS THD 7/16 IN. UNF EXT, 1-3/4 IN. O/A LG	Z2813	ADEV94-279	2	X			PB
001958	017		PIPE, BENT, STEEL, AIR, TRANSFER CASE	Z2813	ADEV94-278	1	X			PB
001959	000		NUT, TUBE COUPLING, BRASS, CHROMIUM PLATED, U/W 1/4IN OD TUBE, 7/16IN UNF/F W/45 DEG SEAT	24617	116452	2	X			PB
001960	000		TUBE, METALLIC, STEEL, MILD, WELDED DOUDLE WALL, COPPER COATED, 1/4 IN. OD, 22 SWG, (0.028 IN.) WALL THK	81343	J527	1	X			PB
001961	018		CLIP CLOSED			1				
001962	019		BRACKET, ANGLE	Z0020	ADEV94-277	1	X			PB

GROUP EBC

RPS02031



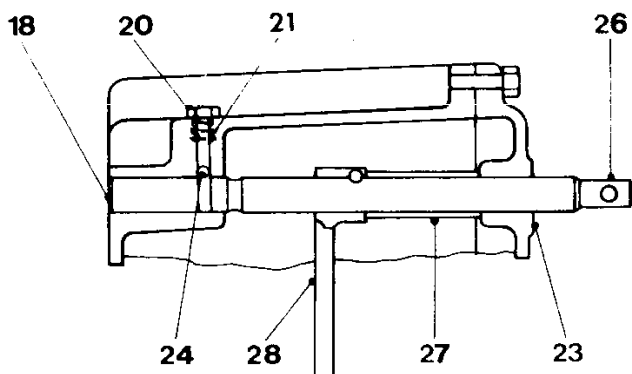
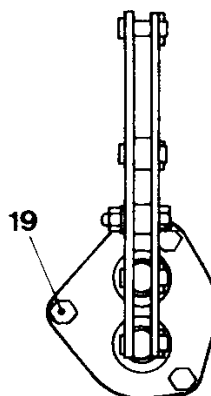
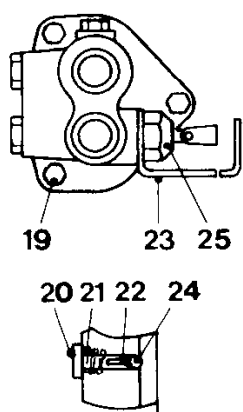
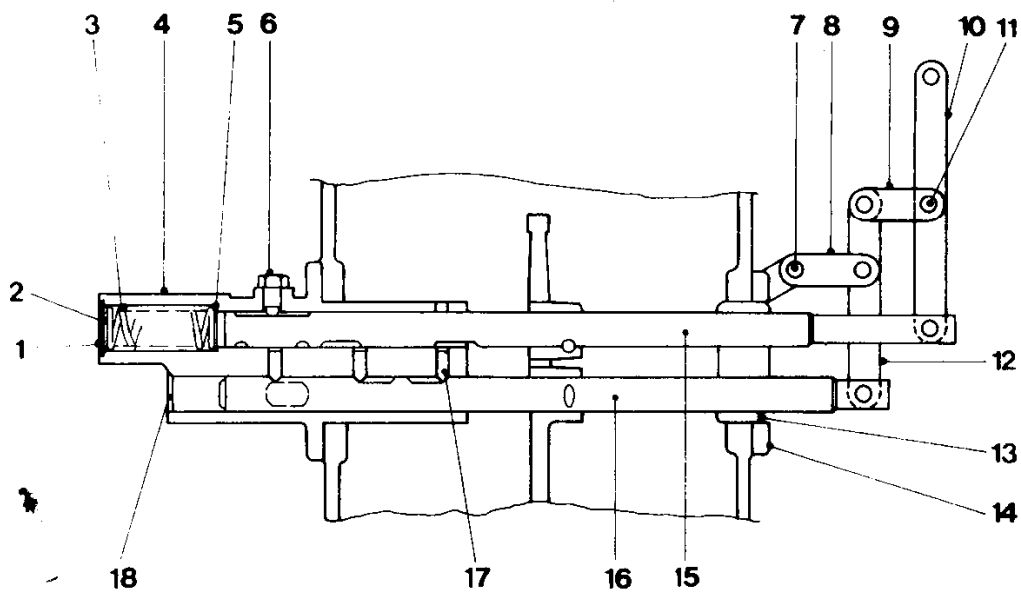
POWER TAKE OFF CONTROL ASSEMBLY

SERIAL	NUMBER	GROUP & ITEM No.	DESIGNATION	MANUFACTURERS		NO OF	EXP. CLASS	LEVEL	REPAIR
				CODE	PART No.				
1	2	3	4	5	6	7	8		
001983	EBC		POWER TAKE OFF CONTROL ASSEMBLY						
001984	001		PIN, COTTER SPLIT, MILD STEEL, 3/32IN BY 1/2IN LG	K7766	1574	1	X		PB
001985	002		WASHER, FLAT, RD, STEEL, ZINC COATED, SMALL, 1/4 IN., 9/16 IN. OD BY 0.056 IN. THK	ZQ544	B117	1	X		PB
001986	003		SPRING, HELICAL, COMPRESSION, STEEL, 0.313 IN. ID, 0.377 IN. OD, 1.188 IN. LG Z0020 ADE(V) 225-814	ZQ020	ADEV225-814	1	X		PB
001987	004		CONTROL ROD POWER TAKE OFF LEVER	Z0020	ADE(V) 225-813	1	X		PB
001988	005		RING, RETAINING, STEEL, CIRCLIP, EXTERNAL, 0.250IN. ID, 0.025IN. THK	K0745	1500-250E	2	X		PB
001989	006		PIN, GROOVED, HEADLESS, STEEL, 0.310 IN. DIA BY 15/16 IN. LG	Z0020	ADEV225-815	1	X		PB
001990	007		LEVER, LOCK-RELEASE, FBO LEVER	Z2813	ADE(V) 225-583	1	X		PB
001991	008		RING, RETAINING, STEEL, EXTERNAL, E TYPE, 0.116 IN. ID, 0.020 IN. MAJOR THK, PHOSPHATED OR PLATED FINISH	K0655	7980-1026-037	1	X		PB
001992	009		PIN, GROOVED, HEADED, STEEL, 0.154 IN. DIABY 13/16 IN. LG	Z0020	ADEV225-581	1	X		PB
001993	010		GUIDE, BRACKET, PTC LEVER	Z2813	ADE(V) 225-812	1	X		UPB
001994	011		KNOB SHIFT LEVER	31007	16780H	1	X		UPB
001995	012		LEVER ASSEMBLY, PTO CONTROL	Z0020	ADE(V) 225-162	1	X		PB
001996	013		FITTING, LUBRICATION, HYDRAULIC, STEEL, 45 DEG ANGLE, 1/8IN NPT/M	Z0200	HA138	1	X		UPB
001997	014		PIN, STRAIGHT, HEADED, STEEL, CAD OR ZINC COATED, 3/8 IN. DIA BY 1-3/32 IN. LG DRILLED FOR COTTER PIN	24617	138084	4	X		UPB
001998	015		PIN, SHOULDER, HEADLESS, STEEL, 9.700 IN. LG BY 5/8 IN. SHOULDER BY 1/2 IN. DIA SHANK	Z0020	ADEV2225-159	1	X		PB
001999	016		ROD ASSEMBLY, CONTRCL	Z0020	ADE(V) 225-247	1	X		PB
002000	017		LEVER			2			
002001	018		LINK			1			
002002	019		SCREW, MACHINE, UNF, 2A, R STEEL, HEX HD, ZINC COATED, 5/16 IN. BY 3/4 IN.	ZQ544	B147	2	X		PB

SERIAL	NUMBER	GROUP & ITEM No.	DESIGNATION	MANUFACTURERS		NO OF	EXP. CLASS	LEVEL	OF REPAIR
				CODE	PART No.				
1	2	3	4	5		6	7	8	
002003	020	WASHER, LOCK, SPRING, STEEL, SINGLE TURN, RECTANGULAR SECTION, CAD PLATED, 5/16 IN. BOLT SIZE	17600	DY252		2	X	FB	
002004	021	NUT, PLAIN, HEXAGON, UNF, 2B, STEEL, FORMED, ZINC COATED, 5/16 IN.	Z1272	034-079		2	X	FB	
002005	022	BRACKET, DOUBLE ANGLE, PTO LEVER POSITION ENGAGEMENT	Z2813	ADE(V) 225-816		1	X	B	

GROUP EBD

RPS02031



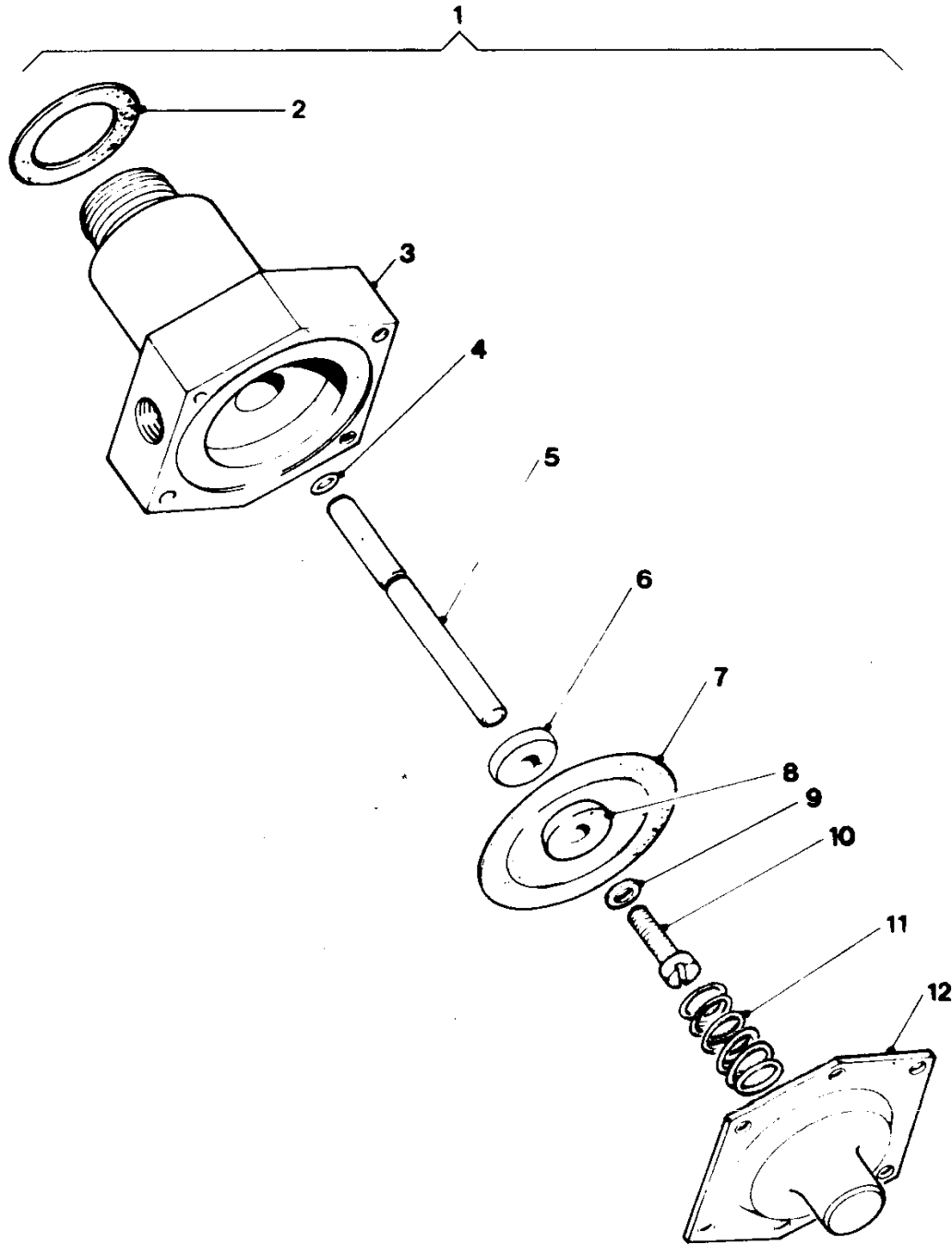
TRANSFER CASE SHIFT RODS

S E R I A L	N U M B E R	G R O U P & I T E M N O.	D E S I G N A T I O N	M A N U F A C T U R E R S		N O. O F	E X P. C O S T	L E V E L	O F	R E P A I R
				C O D E	P A R T N O.					
1	2	3	4	5		6	7	8		
002026	BBD	TRANSFER CASE SHIFT RCDS								
002027	001	PLUG, EXPANSION, STEEL, 1-3/8IN.OD, 1-13/16IN.CAD, 0.166IN.THK MATERIAL	33705	SPP2863		2	X			FB
002028	002	RING, RETAINING, STEEL, INTERNAL, 1.125IN. OD, 0.079IN. THK	Z0009	855725R1		2	X			FB
002029	003	SPRING, HELICAL, COMPRESSION, STEEL, 0.116IN. SIZE MATERIAL, 1.500 IN. SOLID LG, 1.054 IN. FREE OD, 0.822 IN. ID	Z0020	TSEV88-68		1	X			FB
002030	004	HOUSING, SHIFT ROD	Z2813	ADE(V) 55-14REV5		1	X			FB
002031	005	DISC, SOLID, PLAIN, SPRING RETAINING	Z0020	TSEV88-6		2	X			FB
002032	006	SETSCREW, UNF, 2A, R STEEL, ROUND HD WITH WRENCH FLATS, CASEHARDENED, FULL DOG PT, 7/16IN BY 0.740IN LG	Z2813	TSEV88-70		1	X			FB
002033	000	WASHER, PLAT				1				
002034	007	BOLT, SHOULDER, UNF, 2A, R STEEL, ROUND HD WITH WRENCH FLATS, CASEHARDENED, 3/8IN BY 1-3/8IN LG	Z0020	TSEV88-56		1	X			FB
002035	000	NUT, PLAIN, HEXAGON, UNF 2B, STEEL, FORMED, ZINC CCATED, 3/8IN	80204	B18-2		1	X			FB
002036	000	WASHER, LOCK, SPRING, STEEL, SINGLE TURN, RECTANGULAR SECTION, CAD PLATED, 3/8 IN. BOLT SIZE	K7766	1802		1	X			FB
002037	008	CONNECTING LINK, RIGID TRANSFER CASE CONTRCL	Z0020	TSEV88-61		1	X			B
002038	009	CONNECTING LINK, RIGID TRANSFER CASE CONTRCL	Z0020	TSEV88-60		1	X			B
002039	010	CONNECTING LINK, RIGID TRANSFER CASE CONTRCL	Z0020	TSEV88-58		2	X			B
002040	011	PIN, STRAIGHT, HEADED SHIFT LINKAGE	Z2813	TSEV88-57		6	X			FB
002041	012	CONNECTING LINK, RIGID TRANSFER CASE, GEAR SHIFT	Z0020	TSEV88-59		2	X			B
002042	013	SEAL, PLAIN ENCASED, STEEL CASE, SYNTHETICRUBBER ELEMENT, 7/8 IN. SHAFT DIA, 1.380 IN. BORE DIA, 1/4 IN. W	Z0291	13728N8AB1		3	X			FB
002043	014	GUIDE, SHIFT ROD	Z2813	ADE(V) 55-13REV5		1	X			FB
002044	015	ROD, SHIFT REAR WHEEL DRIVE	Z0020	TSEV88-5		1	X			B
002045	016	ROD, SHIFT FRONT WHEEL DRIVE	Z0020	TSEV88-5		1	X			B

SERIAL NUMBER	GROUP & ITEM No.	DESIGNATION	MANUFACTURERS		NO OFF	EXPL CLASS	LEVEL	REPAIR
			CODE	PART No.				
1	2	3	4	5	6	7	8	
002046	017	PIN, STRAIGHT, HEADLESS, STEEL, CASEHARDENED, 0.312 IN DIA, 0.860 IN MAX LG (INTERLOCK)	Z2813	TSEV88-71	3	X	PB	
002047	018	PLUG, EXPANSION 1-1/8 IN.	31007	172548	2	X	PB	
002048	019	BOLT, MACHINE, UNF, 2A, SAE GRADE 5 STEEL, HEX HD, ZINC COATED, 3/8 IN BY 1-1/4 IN LG	8Q204	B18-2	6	X	PB	
002049	000	NUT, PLAIN, HEXAGON, UNF 2B, STEEL, FORMED, ZINC COATED, 3/8 IN	8Q204	B18-2	5	X	PB	
002050	020	PLUG, MACHINE THREAD, STEEL, HEX HD, 5/8 IN UNF	Z2813	TSE(V)88-41	3	X	B	
002051	021	SPRING, HELICAL, COMPRESSION, STEEL, GALVANIZED PLATED, 0.312 IN PLUS OR MINUS 0.003 IN. OD, BY 1.240 IN LG	Z2813	TSEV88-73 ISSUE 3	3	X	PB	
002052	022	PLUNGER, GEAR SHIFT	Z0020	TSEcVe88-42	3	X	PB	
002053	023	BRACKET, CABLE TRANSFER CASE SHIFT ROD	Z0020	TSE(V)88-67	1	X	PB	
002054	024	BALL, BEARING, HIGH CARBON CHROME ALLOY STEEL, 5/16 IN DIA, 0.0002 IN. SPHERICITY	09367	A18370	3	X	PB	
002055	025	PLUNGER RETAINING ASSEMBLY	Z0020	ADEV21-3	1	X	B	
002056	026	ROD, GEAR SHIFT	Z0020	TSEcVe88-40	1	X	B	
002057	027	SPACER, SLEEVE, SHIFT ROD	Z2813	TSE(V)88-36	1	X	B	
002058	028	SHIFTER FORK	Z2813	TSE(V)88-39	3	X	B	
002059	000	BOLT, MACHINE, UNF, 2A, SAE GRADE 5 STEEL, HEX HD, ZINC COATED, 5/16 IN BY 1-1/2 IN LG	8Q204	B18-2	3	X	PB	
002060	000	WASHER, LOCK, SPRING, STEEL, SINGLE TURN, RECTANGULAR SECTION, CAD PLATED, 5/16 IN. BOLT SIZE	17600	DX252	3	X	PB	

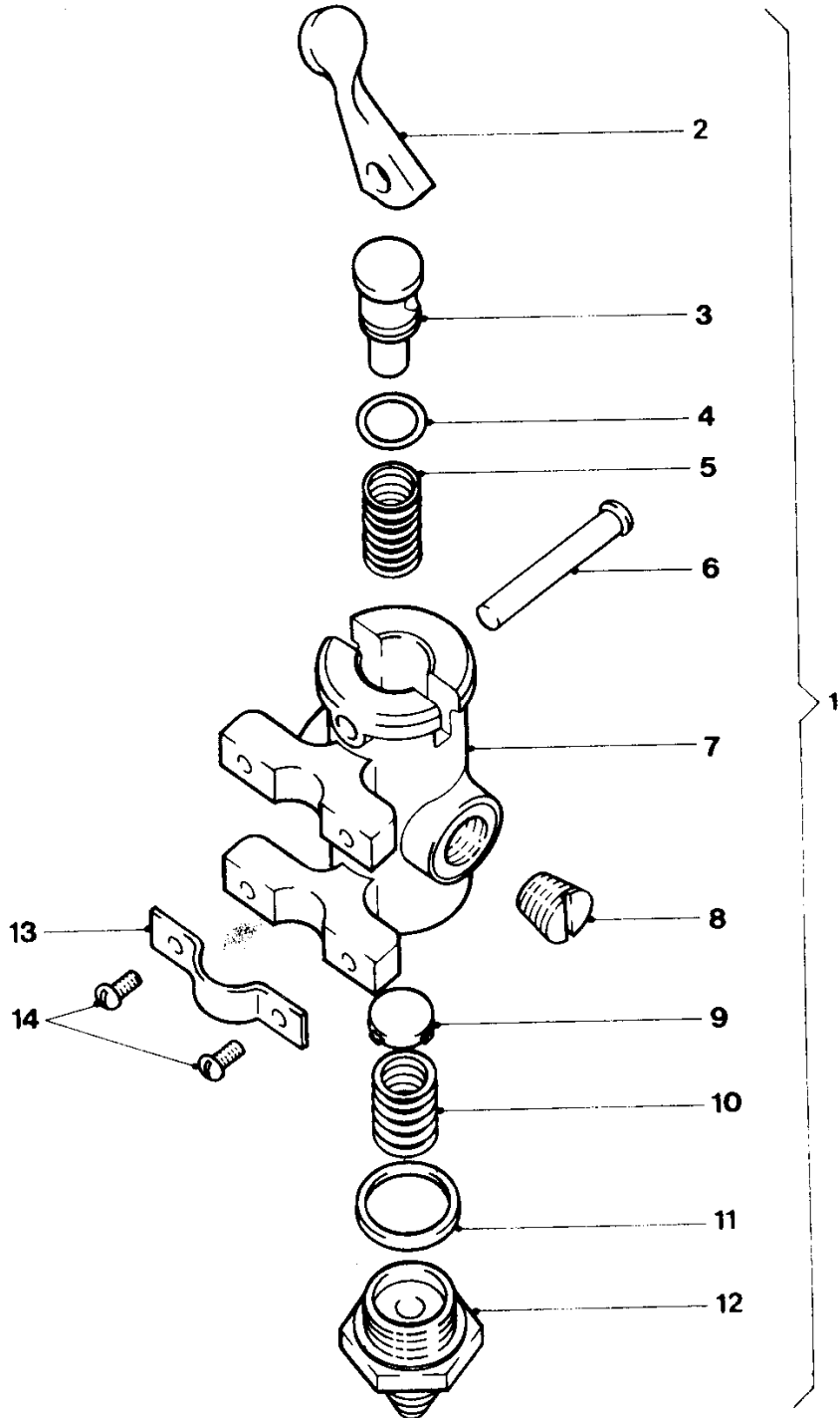
GROUP EBE

RPS02031



TRANSFER CASE AIR CYLINDER

SERIAL NUMBER	GROUP & ITEM No.	DESIGNATION	MANUFACTURERS		NO OFF	EXP. CLASS	LEVEL OF REPAIR
			CODE	PART No.			
1	2	3	4	5	6	7	8
002081	EBE	TRANSFER CASE AIR CYLINDER					
002082	001	CYLINDER ASSEMBLY, SHIFT TRANSFER CASE	06853	C50439	1	N	FB
002083	002	SHIM 0.025IN THK	06853	272292	1	X	FB
002084	000	SHIM 0.010IN THK	06853	272293	1	X	FB
002085	003	BODY			1		
002086	004	PACKING, PREFORMED, SYNTHETIC RUBBER, 3/16 IN. ID BY 5/16 IN. OD BY 1/16 IN. THK	Z0120	X775-2	1	X	FB
002087	005	SHAFT, STRAIGHT	Z0757	C50462	1	X	FB
002088	006	WASHER, FLAT, CENTRALIZING	Z0757	C50464	1	X	FB
002089	007	DIAPHRAGM, CHAMBER BRAKE	06853	238375	1	X	FB
002090	008	WASHER, FLAT	Z0757	C50465	1	X	FB
002091	009	WASHER, NONMETALLIC, SEALING	Z0757	C15267	1	X	FB
002092	010	SCREW, MACHINE, UNC, 2A, STEEL, RD HD, CROSS-BESS DRIVE, NO 10 BY 5/8IN	Z0757	C50468	1	X	FB
002093	011	SPRING, HELICAL, COMPRESSION	Z0757	C50467	1	X	FB
002094	012	COVER			1		
002095	000	SCREW, MACHINE, BSW, HEX HD, 1/8IN BY 3/8IN LG	Z0757	C50471	1	X	FB

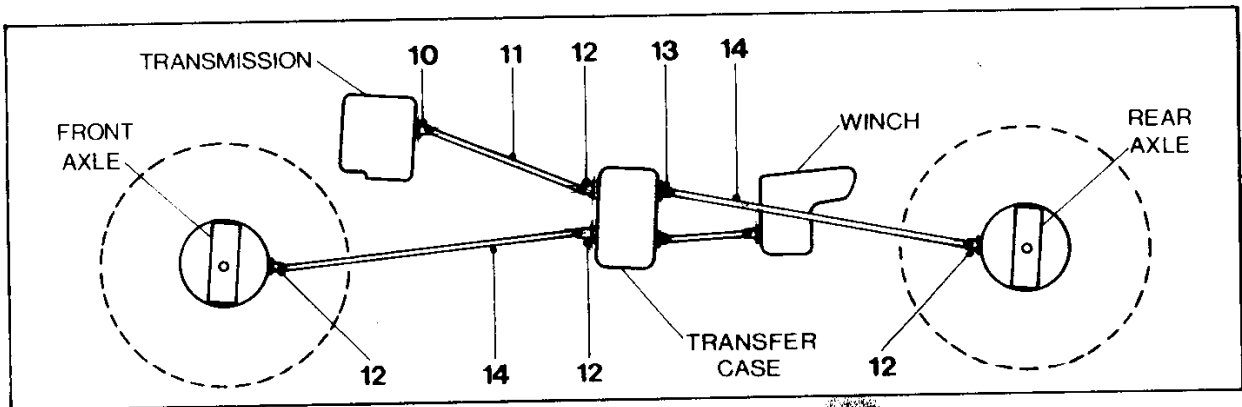
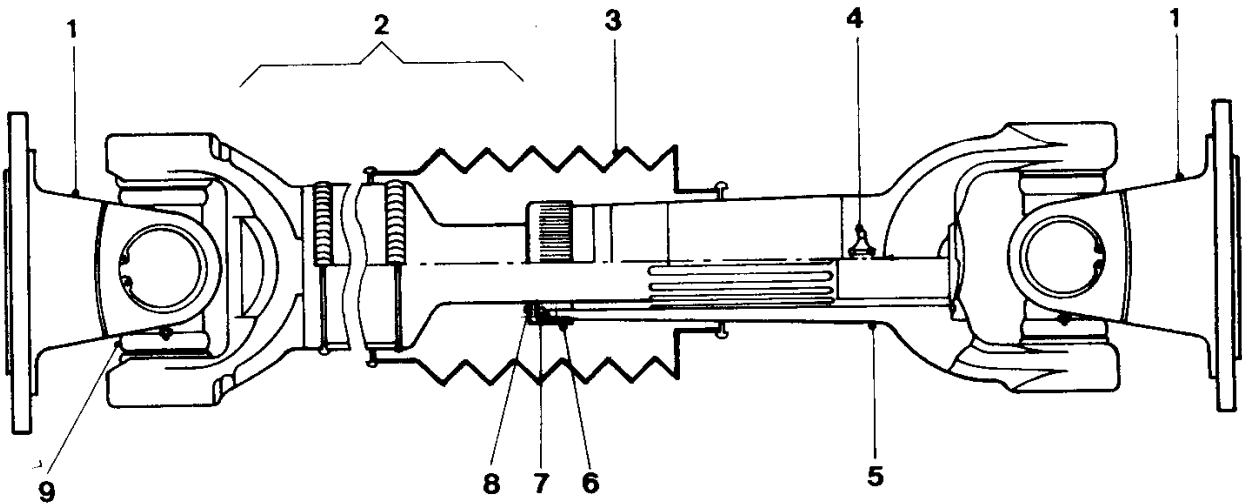


TRANSFER CASE AIR VALVE

S E R I A L	N U M B E R	G R O U P & I T E M N o.	D E S I G N A T I O N	M A N U F A C T U R E R S		N O O F	E X P L O S I O N L E V E L	O F	R E P A I R
				C O D E	P A R T N o.				
1	2	3	4	5	6	7	8		
002118	BBF	TRANSFER CASE AIR VALVE							
002119	001	VALVE ASSEMBLY, CONTROL TRANSFER CASE	Z0757	272294	1	X			PB
002120	002	LEVER, MANUAL CONTROL, AIR CONTROL TRANSFER CASE	06853	272297	1	X			PB
002121	003	PLUNGER			1				
002122	004	PACKING, PREFORMED, TRANSFER CASE CONTROL AIR VALVE	90407	12046P11	1	X			PB
002123	005	SPRING, HELICAL, COMPRESSION, STEEL, RI, 0.041 IN. SIZE MATERIAL, 0.734 IN. O/A LG, 0.394 IN. OD, 0.312 IN. ID	06853	234833	1	X			PB
002124	006	PIN, STRAIGHT, HEADED	06853	211155	1	X			PB
002125	007	BODY			1				
002126	008	PLUG, PIPE, STEEL, SOLID BODY, HEX SKT DRIVE, CAD PLATED, 0.125IN 27 NPT	06853	233410	1	X			B
002127	009	VALVE CONTROL	06853	234837	1	X			PB
002128	010	SPRING, HELICAL, COMPRESSION	06853	235729	1	X			PB
002129	011	RING, SEALING, CONTROL VALVE	06853	236728	1	X			PB
002130	012	CUP NUT			1				
002131	013	BRACKET, SUPPORT	06853	272295	2	X			PB
002132	014	SCREW, MACHINE, UNC, 2A, MILD STEEL, RAISED CHEESE HD, SLOTTED, ZINC COATED, NO.10 BY 1/2 IN.	K7766	3155	4	X			PB

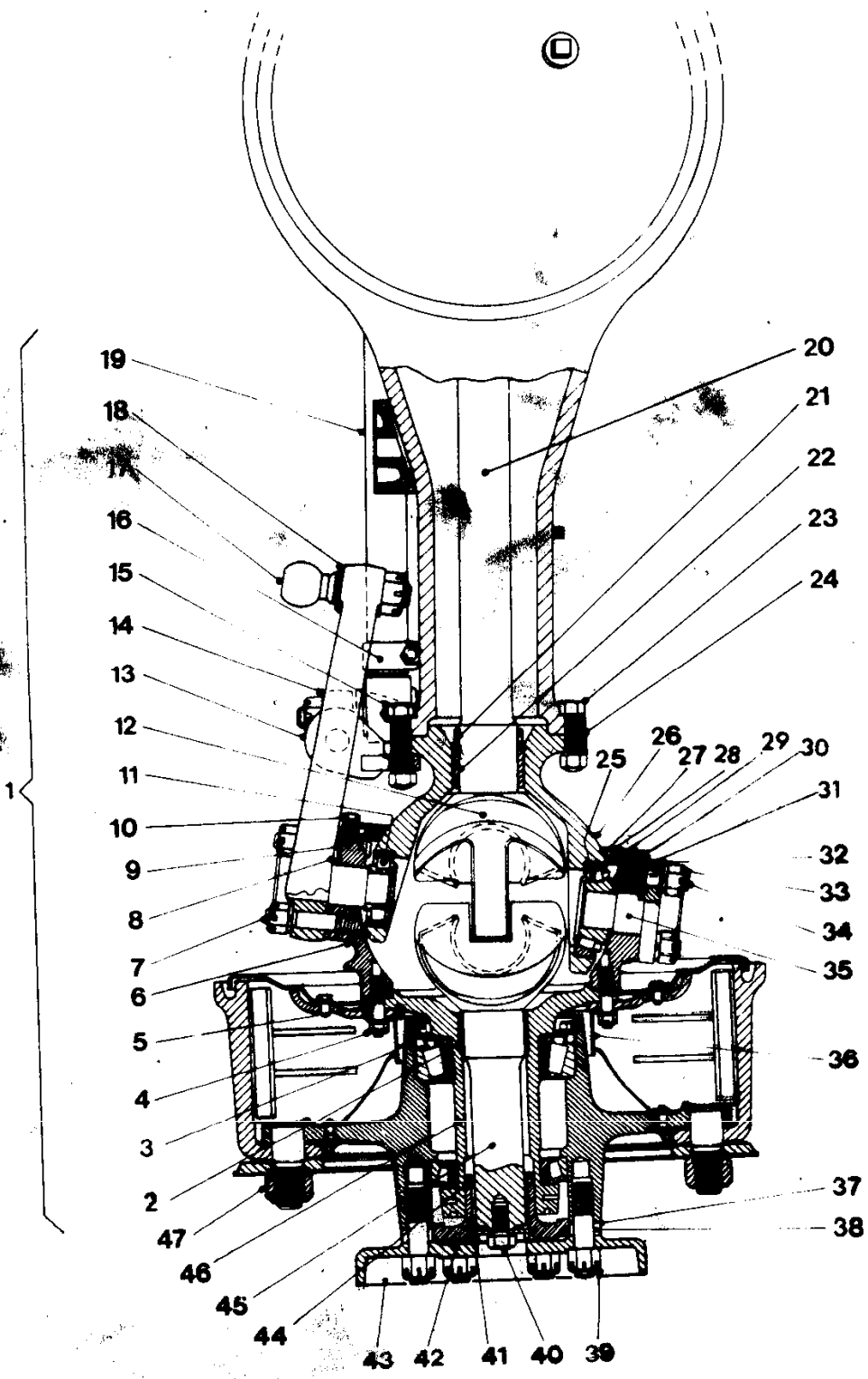
GROUP EBG

RPS02031



PROPELLER SHAFTS

SERIAL	NUMBER	GROUP & ITEM No.	DESIGNATION	MANUFACTURERS		NO OFF	EXP. CLASS	LEVEL	REPAIR
				CODE	PART No.				
1	2	3	4	5		6	7	8	
002153	EBG		PROPELLOR SHAFTS						
002154	001		YOKE, UNIVERSAL JOINT	Z0025	K4-2-2A0409	5	X	FB	
002155	002		PROPELLOR SHAFT, TUBULAR WITH SPLINE AND YOKE ONLY FOR FRONT AND REAR DIFFS	Z0025	151503-0532T	2	N	B	
002156	003		PROTECTIVE COVER, UNIVERSAL JOINT	Z2813	ADE(V) 150-35	3	X	FB	
002157	004		FITTING, LUBRICATION, HYDRAULIC TYPE, STEEL, STRAIGHT, CAD PLATED, 1/8 IN. BSP W/CHECK VALVE, 7/32 IN. STEM LG, 13/16 IN.O/A IG	Z2966	H29	3	X	UPB	
002158	005		SLEEVE, YOKE ASSEMBLY	Z0025	K4-3A1140	3	X	B	
002159	006		CAP, DUST, PROPELLOR SHAFT	Z0025	3 1/2-14-19	3	X	FB	
002160	007		PACKING, PREFORMED, CCRK, RECTANGULAR SHAPE, 1.406 IN. ID, 2 IN. OD, 0.375 IN. THK, WASLIT JOINT	95019	K4-16-83	3	X	FB	
002161	008		WASHER, SPLIT STEEL, 1.442IN ID, 1.943IN OD, 0.032IN (21SWG) THK	Z0025	4-15-43	3	X	FB	
002162	009		REPAIR KIT, UNIVERSAL JOINT	Z0025	K5GB22B	3	X	FB	
002163	010		FLANGE, COUPLING TRANSFER OUTPUT	Z2813	ADE(V) 225-97	1	X	FB	
002164	011		PROPELLER SHAFT WITH UNIVERSAL JOINT	Z0020	ADE(V) 225-105-2	1	N	UPB	
002165	012		FLANGE COUPLING TRANSFER CASE 1-3/4 IN SHAFT	Z0020	ADEV21-9	4	X	FB	
002166	013		FLANGE COUPLING TRANSFER CASE 2IN SHAPT	Z0020	ADE(V) 21-11	1	X	FB	
002167	014		PROPELLER SHAFT WITH UNIVERSAL JOINT	Z2813	ADE(V) 225-105-1	2	N	UPB	
002168	000		BOLT, SPECIAL	31007	204240R1	24	X	UPB	
002169	000		NUT, PLAIN, HEXAGON, UNF 2B, STEEL, FORMED, ZINC COATED, 1/2IN	8Q204	B18-2	24	X	UPB	
002170	000		WASHER, LOCK, STEEL, SPRING, SINGLE TURN, RECTANGULAR SECTION, CAD PLATED, 1/2 IN. BOLT SIZE	K7766	1802	24	X	UPB	



FRONT AXLE ASSEMBLY

SERIAL	NUMBER	GROUP & ITEM No.	DESIGNATION	MANUFACTURERS		NO OFF	EXPL CLASS	LEVEL	REPAIR
				CODE	PART No.				
1	2	3	4	5		6	7	8	
002191	EC	FRONT AXLE ASSEMBLY							
002192	001	AXLE ASSEMBLY, AUTOMOTIVE, DRIVING		Z2813	ADE(V) 94-193	1	N	FB	
002193	000	HOUSING, MECHANICAL DRIVE FRONT		Z2813	ADE(V) 94-194	1	N	FB	
002194	002	BEARING SLEEVE							
002195	003	BEARING, SLEEVE, FRCMT AXLE, OUTER		Z2813	TSE(V) 102-32	2	X	FB	
002196	004	STUD, PLAIN, UNF, 2A, SAE, GRADE 8 STEEL, 3/8IN BY 1-7/8IN LG O/A, SCREWE D 3/4IN AND 5/8IN, DRILLED FOR COTTER PIN		Z2813	ADEV94-503	2)	X	FB	
002197	000	NUT, SLOTTED, HEXAGON, UNF, 2B, SAE GRADE 8 STEEL, OILED FINISH, 3/8 IN.		Z0020	ADEV94-50 2	2)	X	FB	
002198	000	WASHER, FLAT, RD, STEEL, ZINC COATED, SMALL, 3/8 IN. BOLT SIZE, 3/4 IN. OD BY 0.072 IN. THK		Z0544	B117	2)	X	FB	
002199	005	GASKET STUB AXLE		Z2813	TSE(V) 102-36	2	X	UFB	
002200	006	HOUSING, TRACTA JOINT RIGHT		Z0020	TSEcVe 102-24	1	N	FB	
002201	000	HOUSING, TRACTA JOINT LEFT		Z0020	TSEcVe 102-23	1	N	FB	
002202	000	PLUG, PIPE, BSP, MALLEABLE IRON, HEADLESS, SQUARE DRIVE, SOLID BODY, 1/2 IN.		Z0009	653845R1	2	X	UFB	
002203	007	STUD, PLAIN, UNF, 2A, X STEEL, 9/16IN BY 3-1/32IN SCREWED 3/4IN AND 1IN		Z2813	TSEV102-27	3	X	FB	
002204	008	SHIM, KING PIN, UPPER, 0.111IN. THK		Z2813	TSEV102-25	1	X	FB	
002205	009	SHIM, KING PIN, UPPER, BRASS, 0.005 IN. THK		Z2813	TSEV102-26	1	X	FB	
002206	000	SPACER, PLATE, KING PIN, BRASS, 0.007 IN. THK		Z0020	TSEV102-26-2	1	X	FB	
002207	010	SCREW, MACHINE, UNF, 2A, SAE GRADE 5 STEEL, HEX HD, ZINC COATED, 1/4IN BY 1/2IN LG		Z1272	030-111	22	X	FB	
002208	000	WASHER, LOCK, SPRING STEEL, SINGLE TURN, RECTANGULAR SECTION, CAD PLATED, 1/4IN BOLT SIZE		K7766	1802	22	X	FB	
002209	011	CUP, TAPERED ROLLER BEARING, SINGLE ROW, BY 2.4410 IN. BY 0.5625 IN.		60038	15245	2	X	FB	
002210	000	CONE AND ROLLERS, TAPERED ROLLER BEARING		K0036	15100S	2	X	FB	
002211	012	TRACTA JOINT ASSEMBLY		Z0020	TSEcVe102-5	2	N	FB	

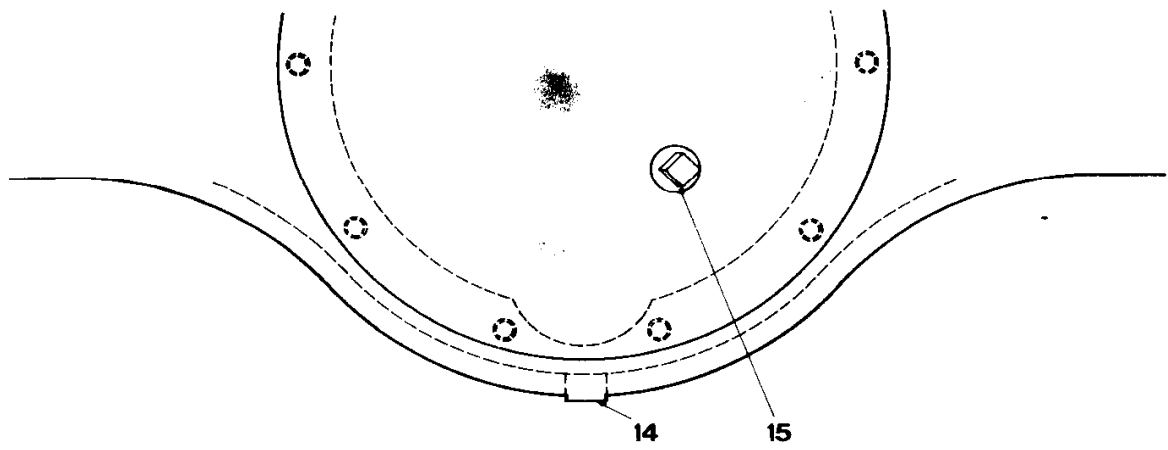
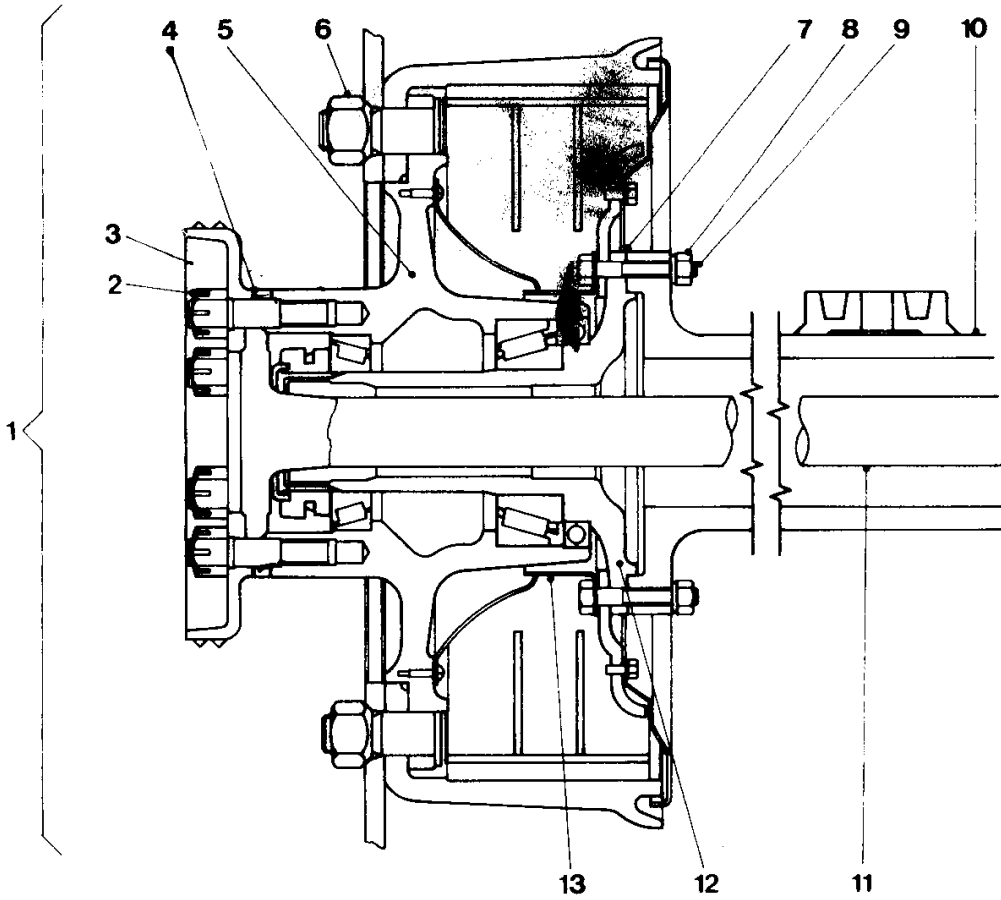
S P R I A L	N U M B E R	G R O U P & I T E M N o.	D E S I G N A T I O N	M A N U F A C T U R E R S		N O O F F	E X P L O S I V E	C L A S S	O F	R E P A R T
				C O D E	P A R T N o.					
1	2	3	4	5		6	7	8		
002212	013	BRACKET MOUNTING SHOCK ABSORBER RIGHT	Z2813	ADE(V) 94-517-2		1	X			PB
002213	000	BRACKET MOUNTING SHOCK ABSORBER LEFT	Z2813	ADE(V) 94-517-1		1	X			PB
002214	014	TIE ROD END, STEERING R/H	31007	127242R91		1	X			UPB
002215	000	TIE ROD END, LEFT HAND	31007	127241R91		1	X			UPB
002216	000	NUT, SLOTTED, HEXAGON, UNF 2B, A STEEL, THICK, ZINC COATED, 5/8IN	U0724	1192456		2	X			UPB
002217	015	BOLT, MACHINE, UNF-2A, SAE GRADE 8 STEEL, HEX HD, CAD PLATED, 1/2IN BY 2-1/2IN LG	Z0020	ADEV225-503-2		6	X			PB
002218	000	NUT, PLAIN, HEXAGON, UNF 2B, STEEL, FORMED, ZINC COATED, 1/2IN	80204	B18-2		5	X			PB
002219	000	WASHER, LOCK, STEEL, SPRING, SINGLE TURN, RECTANGULAR SECTION, CAD PLATED, 1/2 IN. BOLT SIZE	K7766	1802		6	X			PB
002220	016	CLAMP, TIE ROD ASSEMBLY				2				
002221	000	BOLT, MACHINE, UNF, 2A, SAE GRADE 5 STEEL, HEX HD, ZINC COATED, 7/16IN BY 2IN LG	80204	B18-2		2	X			UPB
002222	000	NUT, PLAIN, HEXAGON, UNF 2B, STEEL, FORMED, ZINC COATED, 7/16IN	80204	B18-2		2	X			UPB
002223	000	SHAFT, FRONT AXLE INNER, LEFT	Z0020	TSEcVe102-19		2	X			UPB
002224	017	BALL, STEERING ARM				1				
002225	000	NUT, SLOTTED, HEXAGON UNF, 2B, STEEL, FORMED, ZINC COATED, 3/4IN-16, 1-1/8IN W A/F BY 41/64IN H	80204	B18-2		1	X			PB
002226	018	ARM, STEERING ASSEMBLY, DOUBLE RH	Z2813	ADE(V) 225-747		1	X			PB
002227	000	ARM, STEERING ASSEMBLY, SINGLE LH	Z2813	ADE(V) 225-746		1	X			PB
002228	019	TIE ROD, STEERING	31007	170210R1		1	X			PB
002229	000	VALVE, AIR PRESSURE RELIEF, STEEL, 0.438PSI, 1/8 NPT	19207	5196397		1	X			UPB
002230	000	PLUG, PIPE MALLEABLE IRON, CORED HD, ZINC COATED, 3/4 IN. -14 NPTF, RH, MALE	24617	219302		1	X			UPB
002231	000	PLUG, PIPE, MAGNETIC, 3/4 IN. ANPTF	Z0020	ADEV225-510		1	X			UPB
002232	020	SHAFT, FRONT AXLE LINNER, RIGHT	Z0020	TSEcVe 102-20		1	X			PB

S E R I A L	N U M B E R	G R O U P & I T E M N o.	D E S I G N A T I O N	M A N U F A C T U R E R S		N O O F F	E X P L O S I O N C L A S S	L E V E L O F	R E P A I R
				C O D E	P A R T N o.				
1	2	3	4	5	6	7	8		
002233	000	SHAFT, FRONT AXLE INNER, LEFT	Z0020	TSEcVe102-19	1	X	FB		
002234	021	WASHER, FLAT AXLE SHAFT INNER	Z2813	TSEV102-40	2	X	FB		
002235	022	BEARING, SLEEVE, AXLE SHAFT, INNER	Z2813	TSE(V) 102-31	2	X	FB		
002236	023	STUD, PLAIN, UNF, 2A, STEEL, 1/2IN BY 2-1/4IN	Z2813	ADEV94-195-1	19	X	FB		
002237	000	NUT, PLAIN, HEXAGON, UNF 2B, STEEL, FORMED, ZINC COATED, 1/2IN	80204	B18-2	19	X	FB		
002238	000	WASHER, LOCK, STEEL, SPRING, SINGLE TURN, RECTANGULAR SECTION, CAD PLATED, 1/2 IN. BOLT SIZE	K7766	1802	19	X	FB		
002239	024	GASKET AXLE JOINT HOUSING	Z2813	TSE(V) 102-37	2	X	FB		
002240	025	CUP, TAPERED ROLLER BEARING, SINGLE ROW, 3.1250 IN BY 0.6875 IN.	92392	B1007	2	X	UPB		
002241	000	CONE AND ROLLERS, TAPERED ROLLER BEARING, SINGLE ROW, RETAINER TYPE, STRAIGHT BORE, STEEP ANGLE, 1.2500 IN. BY - BY 0.9478 IN.	31007	68004k91	2	X	UPB		
002242	026	HOUSING, AXLE JOINT	Z0020	TSEcVe102-17	2	X	FB		
002243	027	RETAINER, SEAL OUTER	Z0020	TSEcVe102-9	4	X	FB		
002244	028	SEAL, BELL HOUSING FRCNT AXLE	Z2813	TSE(V) 102-10	2	X	UPB		
002245	029	RETAINER, PACKING, FRCNT AXLE	Z2813	TSE(V) 102-6	2	X	FB		
002246	030	WASHER, FLAT, RD, STEEL, 7-15/16 IN. ID, 8.680 IN. OD BY 5/64 IN. THK	Z2813	TSEV102-43	2	X	FB		
002247	031	RETAINER, PACKING, PHOSPHOR BRONZE, 7.290 IN. ID, 8.680 IN. OD, 0.022 IN. THK	Z0020	TSEV102-34	2	X	FB		
002248	032	PIN PIVOT CONSTAT VELOCITY JOINT	Z2813	TSE(V) 102-15	2	X	FB		
002249	033	NUT, SLOTTED, HEXAGON, UNF 2B, A STEEL, THICK, ZINC COATED, 9/16IN	Z0544	B147	14	X	FB		
002250	000	WASHER, LOCK SPRING, STEEL, SINGLE TURN, RECTANGULAR SECTION, CAD PLATED, 9/16IN BOLT SIZE	K7766	1802	14	X	FB		
002251	000	WIRE, NONELECTRICAL, STEEL, CARBON, SOFT, 2.5 MM EIA, BRIGHT	Z0544	AS1394	1	X	FB		

SERIAL	NUMBER	GROUP & ITEM No.	DESIGNATION	MANUFACTURERS		NO OFF	EXPL CLASS	LEVEL	REPAIR
				CODE	PART No.				
1	2	3	4	5		6	7	8	
002252	034	STUD, PLAIN, UNF, 2A, X STEEL, 9/16IN, BY 2-5/16IN SCREWED 13/16IN AND 31/32IN	Z2813	TSEV102-28		5	X	FB	
002253	035	PIN, STEERING ARM	Z2813	TSE(V) 102-44		2	X	FB	
002254	036	TUBE, GREASE TRAP	Z2813	TSE(V) 93-63		2	X	FB	
002255	037	GASKET DRIVE FLANGE	Z2813	TSE(V) 102-35		2	X	UPFB	
002256	038	FLANGE, DRIVING	Z0020	TSEcVe102-16		2	X	FB	
002257	039	NUT, SELF-LOCKING, HEXAGON DRIVE STUD	31007	247637		12	X	UPFB	
002258	040	SCREW, MACHINE, UNC, 2A, SAE GRADE 5 STEEL, HEX HD, ZINC COATED, 1/2IN BY 7/8IN LG	80204	B18-2		2	X	FB	
002259	000	WASHER, LOCK, STEEL, SPRING, SINGLE TURN, RECTANGULAR SECTION, CAD PLATED, 1/2 IN. BOLT SIZE	K7766	1802		2	X	FB	
002260	041	PACKING, PREFORMED, SYNTHETIC RUBBER, 1.754 IN ID BY 2.012 IN OD BY 0.159 IN H	31007	290987-R1		2	X	UPFB	
002261	000	GASKET, CORK, 1-3/64IN ID BY 1-29/64IN OD BY 5/32IN THK	31007	39 783 H		2	X	UPFB	
002262	042	RETAINER, PACKING, STEEL	Z0020	TSEV102-38		2	X	UPFB	
002263	043	DEFLECTOR, DIRT AND LIQUID TRANSMISSION	Z2813	ADE(V) 225-595		2	X	UPFB	
002264	044	RING, RETAINING, STEEL, EXTERNAL, 1.625IN. FREE ID, 1.813 IN. FREE OD, 0.094IN. THK	Z2813	TSEV102-33		2	X	UPFB	
002265	045	SHAFT, FRONT AXLE OUTER	Z0020	TSEcVe102-18		2	X	FB	
002266	046	SPINDLE, WHEEL, NONDRIVING, FRONT & REAR WHEEL AXLE	Z2813	ADE(V) 225-713		2	X	FB	
002267	000	SCREW, MACHINE, UNF, 2A, SAE GRADE 5 STEEL, HEX HD, ZINC COATED 1/2IN BY 1-3/4IN LG STEERING STOPS	8Q204	B18-2		2	X	FB	
002268	000	NUT, PLAIN, HEXAGON, UNF 2B, STEEL, FORMED, ZINC COATED, 1/2IN	8Q204	B18-2		2	X	FB	
002269	047	NUT CONE SEAT (REFER SERIAL 2346)				40			

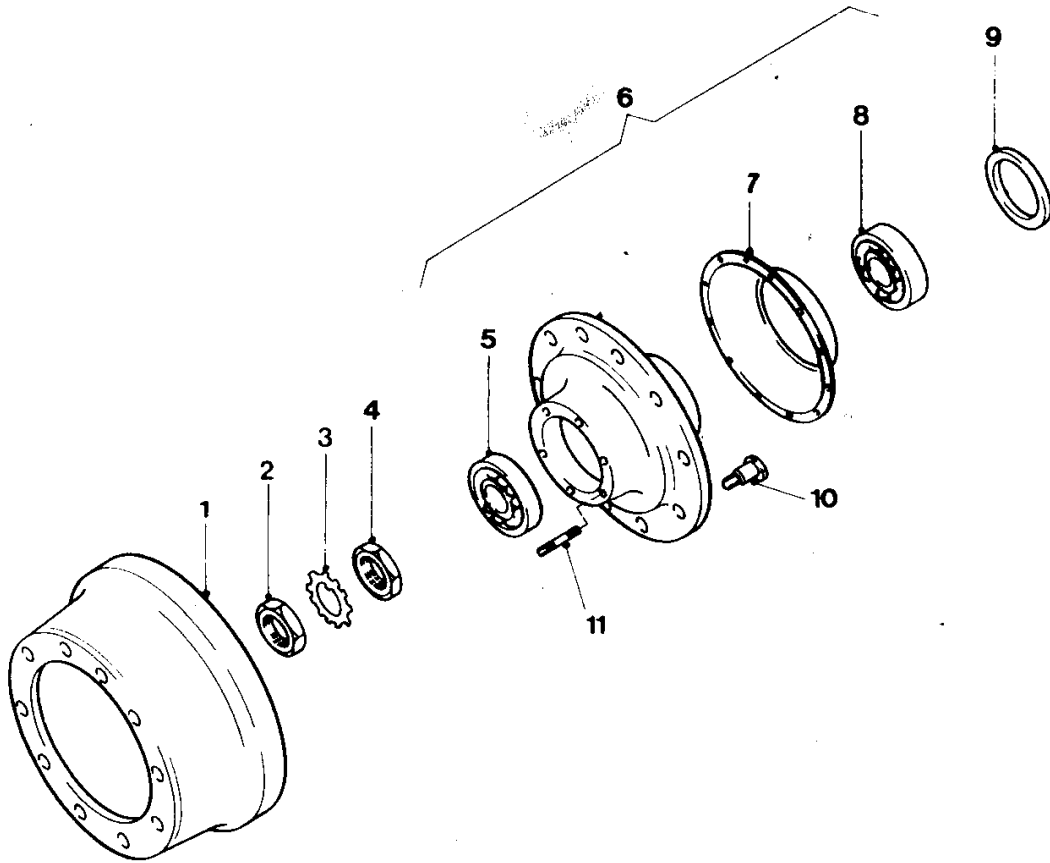
GROUP ECA

RPS02031



REAR AXLE ASSEMBLY

SERIAL	NUMBER	GROUP & ITEM No.	DESIGNATION	MANUFACTURERS		NO OFF	EXPL CLASS	LEVEL	TO REPAIR
				CODE	PART No.				
1	2	3	4	5	6	7	8		
002290	ECA		REAR AXLE ASSEMBLY						
002291	001		AXLE ASSEMBLY, AUTOMOTIVE, DRIVING REAR	Z2813	ADE(V) 255-590	1	N		FB
002292	000		AXLE ASSEMBLY, AUTOMOTIVE DRIVING, REAR	Z2813	ADEV150-9	1	N		FB
002293	002		NUT, SELF-LOCKING, HEXAGON DRIVE STUD	31007	247637	12	X		UPB
002294	003		DEFLECTOR, DIRT AND LIQUID TRANSMISSION	Z2813	ADE(V) 225-595	2	X		UPB
002295	004		GASKET DRIVE FLANGE	Z2813	TSE(V) 102-35	2	X		UPB
002296	005		HUB ASSEMBLY, FRONT, REAR	Z0020	ADEV225-592	4	N		FB
002297	006		NUT (REPER SERIAL 2346)						
002298	007		GASKET STUD AXLE	Z2813	TSE(V) 102-36	2	X		FB
002299	008		NUT, SELF-LOCKING, HEXAGON, UNF, 2B, SAE GRADE 8 STEEL, ZINC COATED, PASSIVATED, 3/8IN, W-NYLON INSERT	Z2813	ADEV94-21	20	X		FB
002300	009		BOLT, MACHINE, UNF, 2A, SAE GRADE 8 STEEL, HEX HD, CAD PLATED, 3/8IN BY 2-1/4IN	Z2813	ADEV225-662	20	X		FB
002301	000		WASHER, FLAT, RD, STEEL, ZINC COATED, SMALL, 3/8 IN. BOLT SIZE, 3/4 IN. OD BY 0.072 IN. THK	Z0544	B117	20	X		FB
002302	010		HOUSING, REAR AXLE	Z0020	ADE(V) 225-596	1	N		B
002303	000		VALVE, AIR PRESSURE RELIEF, STEEL, 0.438PSI, 1/8 NTP	19207	5196397	1	X		UPB
002304	011		SHAFT, AXLE, AUTOMOTIVE	Z2813	ADE(V) 225-800	2	X		FB
002305	012		SPINDLE, WHEEL, NONDRIVING, FRONT & REAR WHEEL AXIE	Z2813	ADE(V) 225-713	2	X		FB
002306	013		TUBE, GREASE TRAP	Z2813	TSE(V) 93-63	2	X		FB
002307	014		PLUG, PIPE, MAGNETIC, 3/4 IN. ANPTF	Z0020	ADEV225-510	1	X		UPB
002308	015		PLUG, PIPE MALLEABLE IRON, CORED HD, ZINC COATED, 3/4 IN. -14 NPTF, RH, MALE	24617	219302	1	X		UPB



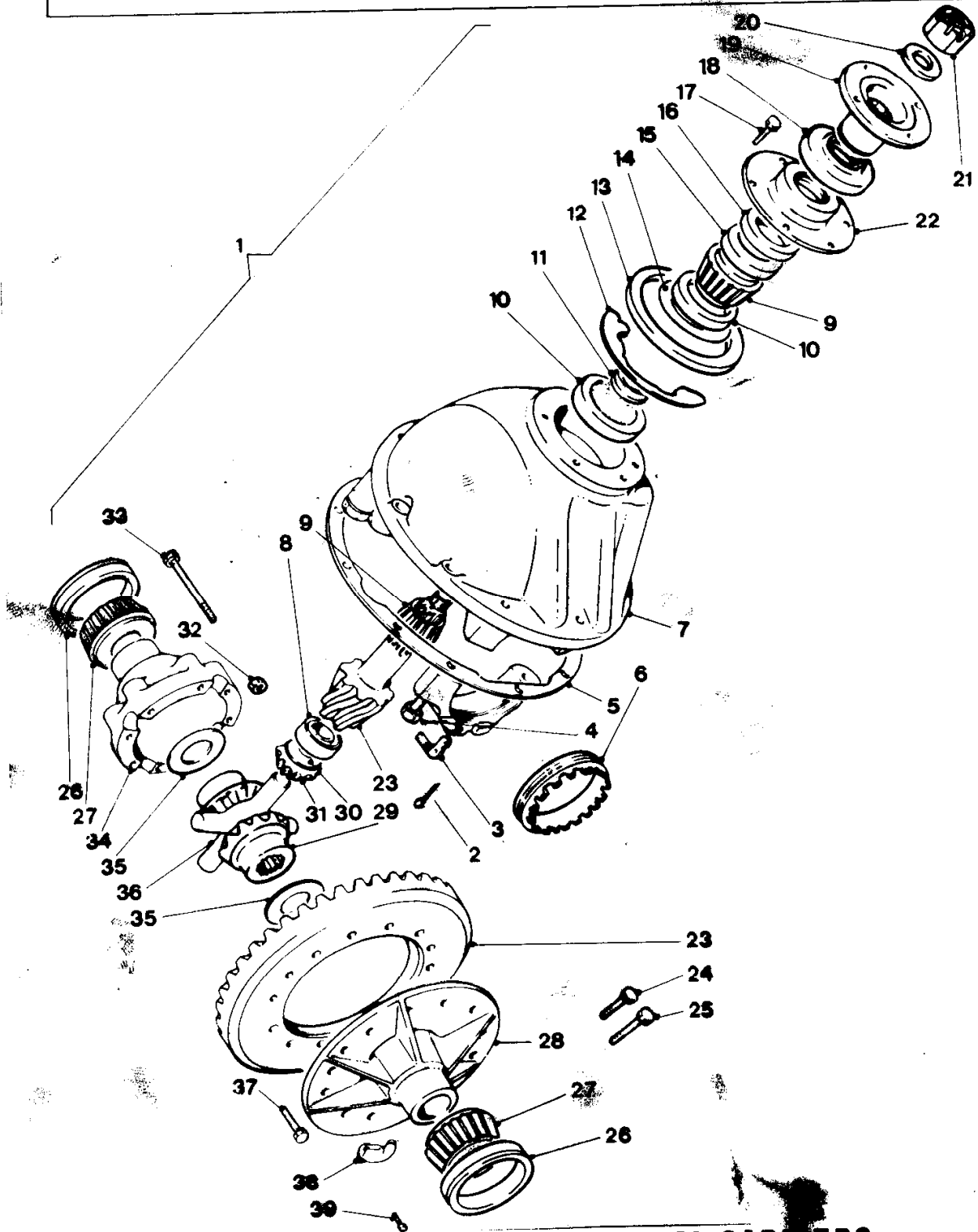
BRAKE DRUM, WHEEL HUB AND BEARINGS

S E R I A L	N U M B E R	G R O U P & I T E M N o.	D E S I G N A T I O N	M A N U F A C T U R E R S		N O T E	E X P L O S I V E	L E V E L	O F	R E P A I R
				C O D E	P A R T N o.					
1	2	3	4	5	6	7	8			
002329	ECB	BRAKE DRUM, WHEEL HUB AND BEARINGS								
002330	001	BRAKE DRUM	Z2813	TSE(V) 93-57		4	N			FB
002331	002	NUT AND SEAL ASSEMBLY, HUB AND WHEEL BEARING	Z2813	TSE(V) 93-85		4	X			UFB
002332	000	SEAL, PLAIN, ENCASED, 2.594 IN SHAFT SIZE, 3.064 IN. BORE DIA, 0.484 IN. W	31007	52753HA		4	X			UFB
002333	003	PLATE, LOCKING, BEARING NOT	Z2813	TSE(V) 93-84		4	X			UFB
002334	004	NUT, PLAIN, HEXAGON, WHEEL BEARING ADJUSTING, INNER	Z0020	TSEV93-83		4	X			UFB
002335	005	CUP TAPERED ROLLER BEARING, SINGLE ROW BY 4.3307 IN. BY 0.7411 IN.	05643	BRTZZ2		4	X			UFB
002336	000	CUP TAPERED ROLLER BEARING, SINGLE ROW BY 4.3307 IN. BY 0.7411 IN.	05643	BRTZZ2		4	X			UFB
002337	000	CONE AND ROLLER, TAPEEED ROLLER BEARING, SINGLE ROW, RETAINER TYPE, STRAIGHT BORE, NORMAL ANGLE, 2.6250 IN. BY 0.8660 IN.	31007	ST753B <i>TIMKEN 395-S</i>		4	X			UFB
002338	006	HUB ASSEMBLY (CONSISTS OF SERIALS 2336, 2339, 2343, 2345, 2347)	Z2813	ADE(V) 94-15-1		4	N			FB
002339	007	TRAP, GREASE, HUB	Z2813	TSE(V) 93-61		4	X			FB
002340	000	SCREW, MACHINE, UNC, 2A, STEEL, PAN NO2 HD CROSS RECESS DRIVE CAD PLATED W/CHROMATE, NO. 10 BY 3/8 IN. LG	96906	MS35206-261		48	X			FB
002341	000	WASHER, LOCK, SPRING, STEEL, SINGLE TURN, CAD OR ZINC PLATED, 3/16 IN., 2 BA OR 10 UN SCREW SIZE	K7766	1802		12	X			FB
002342	008	CONE AND ROLLERS, TAPERED ROLLER BEARING, SINGLE ROW, RETAINER TYPE, STRAIGHT BORE, NORMAL ANGLE, 2.875 IN. BORE DIA, BY 1.424IN. LG	Z0992	567X <i>TIMKEN 567X</i>		4	X			UFB
002343	000	CUP TAPERED ROLLER BEARING, SINGLE ROW, 5.000 IN. BY 1.1250 IN.	60038	563 <i>KOYO 563</i>		4	X			UFB
002344	009	SEAL, PLAIN ENCASED, STEEL CASE, LEATHER SPRING LOADED ANGULAR ELEMENT, 3.875 IN. SHAFT DIA, 5.125 IN. BORE DIA, 5.129 IN. OD BY 0.500 IN. W	Z0639	10883		4	X			UFB
002345	010	BOLT, SHOULDER, UNF-2A, STEEL, DEE HD, CAD PLATED, 7/8IN BY 2-3/8IN LG	Z0020	ADEV225-352		10	X			FB

S E R I A L	N U M B E R	G R O U P & I T E M N o.	D E S I G N A T I O N	M A N U F A C T U R E R S		N O O F F	E X P L O S I V E	L E V E L	R E P A I R
				C O D E	P A R T N o.				
1	2		3	4	5	6	7	8	
002346	000		NUT, CONE SEAT, HEXAGON, UNF, 2B, STEEL, CAD OF ZINC COATED, 7/8 IN.	Z2813	ADEV225-353ISSUE4	4)	X	UPB	
002347	011		STUD, PLAIN, DRIVE FLANGE	ZQ020	TSEV93-9	5	X	PB	

GROUP ECC

RPS02031

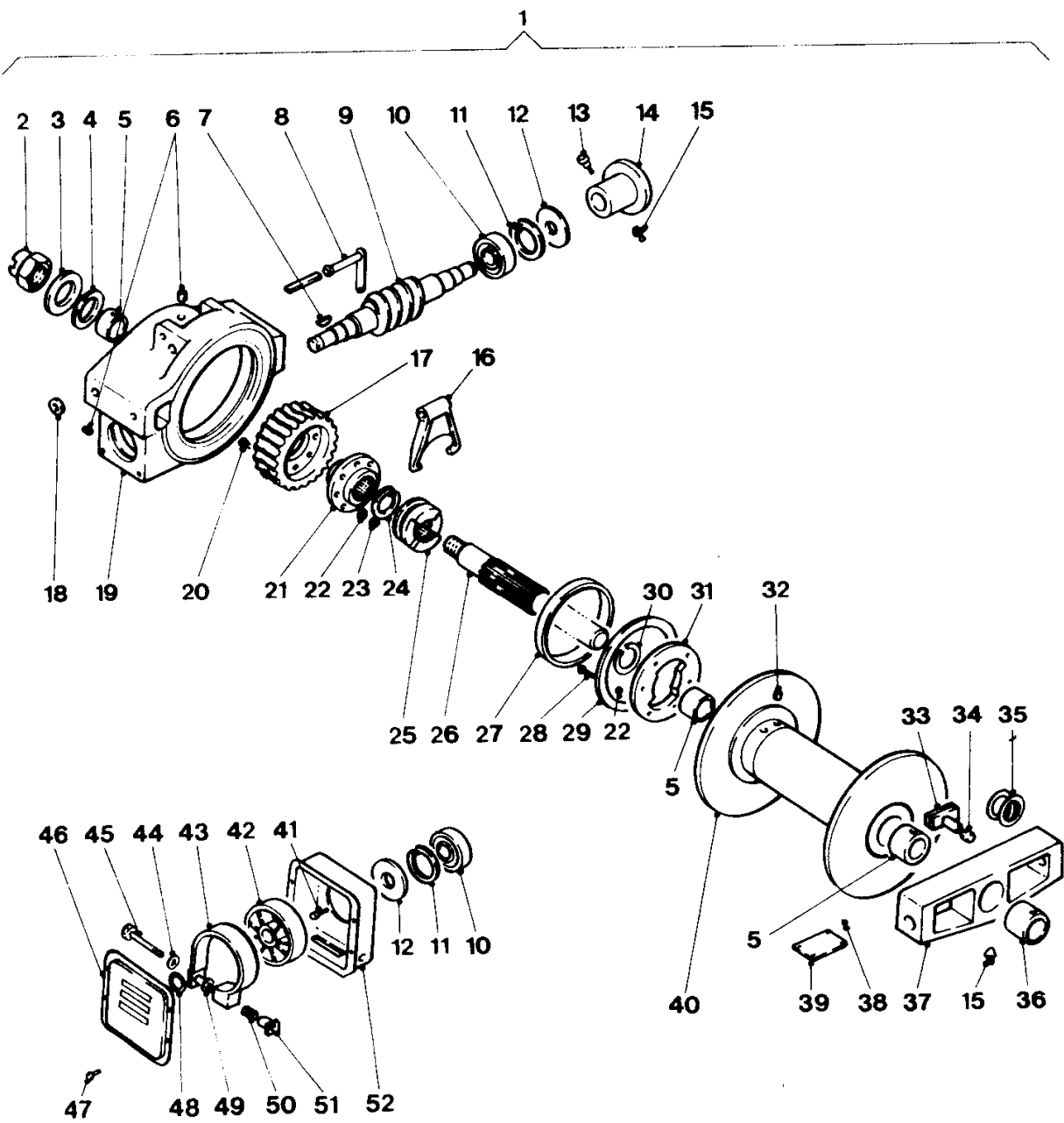


FRONT AND REAR DIFFERENTIAL CARRIERS

SERIAL NUMBER	GROUP & ITEM No.	DESIGNATION	MANUFACTURERS		NO OF	EXPL CLASS	REPAIR
			CODE	PART No.			
1	2	3	4	5	6	7	8
002368	ECC	FRONT AND REAR DIFFERENTIAL CARRIERS					
002369	001	CARRIER ASSEMBLY DIFFERENTIAL, REAR	Z0020	ADE(V) 225-594	1	N	PB
002370	002	PIN, COTTER SPLIT, MIID STEEL, 3/16IN BY 1-1/2IN LONG	K7766	1574	4	X	B
002371	003	LOCK, ADJUSTING, REAR AXLE DIFFERENTIAL BEARING	31007	13875V	4	X	B
002372	004	BOLT, SELF LOCKING, DIFFERENTIAL BEARING CAP, ANP, 9/16IN	31007	69018R1	3	X	B
002373	005	GASKET, DIFFERENTIAL CARRIER	31007	69 177 R1	4	X	UPB
002374	006	RETAINER, ROLLER, BEARING, DIFFERENTIAL	31007	54528HA	4	X	B
002375	007	CARRIER ASSEMBLY, DIFFERENTIAL	92679	69016B92	2	N	B
002376	008	BEARING, ROLLER, CYLINDRICAL, GROUND, SINGLE ROW, NON-LOCATING, TWO LIPS INNER RING, CYLINDRICAL OUTER RING WITH TWO RETAINMENT RINGS, 0.9843 IN. BY 2.0472 IN. BY 0.8125 IN.	51600	UM5205B	4	X	B
002377	009	CONE AND ROLLERS, TAPERED ROLLER BEARING	60038	HM903249A	4	X	B
002378	010	CUP, TAPERED ROLLER BEARING, SINGLE ROW, 3.7500IN BY 0.8750IN	60038	HM903210	4	X	B
002379	011	SPACER SLEEVE, STEEL, PINION BEARING, 1.760IN MAX ID, 2.035IN MAX OD, 0.526IN MAX LG	81118	10803	1	X	B
002380	000	SPACER, SLEEVE, STEEL, PINION BEARING, 1.760IN MAX ID, 2.035IN MAX OD, 0.529IN MAX LG	81118	10804	1	X	B
002381	000	SPACER, PINION BEARING, 1.760 IN. MAX ID, 2.035 IN. MAX OD, 0.532 IN. MAX LG	31007	49417HA	1	X	B
002382	000	SPACER, SLEEVE, STEEL, PINION BEARING, 1.760IN MAX ID, 2.035IN MAX OD, 0.535IN MAX LG	81118	10806	1	X	B
002383	012	SHIM, 0.003IN. THK	31007	52774H	1	X	B
002384	000	SHIM 0.003IN THK	31007	52773HA	1	X	B
002385	000	SHIM STEEL, 4.375IN APERTURE DIA, 6.750IN OD, 5.625IN BOLT CIRCLE DIA, 6 BOLT HOLES 0.594IN DIA, 0.00975IN O/A THK	31007	52748H	1	X	B

SERIAL	NUMBER	GROUP & ITEM No	DESIGNATION	MANUFACTURERS		NO OF	EXP. CLASS	LEVEL	REPAIR
				CODE	PART No.				
1	2		3	4	5	6	7	8	
002386	000		SHIM, STEEL, 4.375IN.APERTURE DIA, 6.750IN.OD, 5.625IN.BOLT CIRCLE DIA, 6 BOLT HOLES 0.594IN.DIA, 0.028LN.Q/A THK	73325	52749H	1	X	B	
002387	013		CAGE ASSEMBLY PINION BEARING	31007	52728HA	2	X	B	
002388	000		RETAINER, COLLER, BEARING, PINION	31007	324814C91	2	X	B	
002389	014		CORK STRIP, 15 IN. LG, 5/32 IN. W, 1/8 IN. THK	31007	49392H	2	X	PB	
002390	015		SEAL, PLAIN, ENCASED, 2-3/8 IN., SHAFT DIA BY 3.486 IN. BORE DIA BY 1/2 IN. W	31007	854093R91	1	X	B	
002391	016		WASHER, FLAT ROUND, FELT, 2 5/16IN ID BY 3 1/2IN OD BY 5/16IN THK	31007	59871H	2	X	PB	
002392	017		BOLT, MACHINE, DIFFERENTIAL CARRIER	Z0020	TSEV93-39 8	12	X	B	
002393	000		WASHER, LOCK STEEL, SHAKEPROOF, CAD PLATED, EXTERNAL TYPE 11, 9/16IN BOLT SIZE	Z0009	138498	12	X	PB	
002394	018		DEFLECTOR, DIRT AND LIQUID STEEL 4IN DIA 1-1/16IN H WITH 2.497IN DIA SHAFT OPENING	Z2813	ADE(V) 21- 17	2	X	B	
002395	019		FLANGE COUPLING TRANSFER CASE 1-3/4 IN SHAFT	ZQ020	ADEV21-9	2	X	PB	
002396	020		WASHER, FLAT, ROUND, STEEL, 1-5/32 IN. ID BY 1-7/8 IN. OD BY 5/32 IN THK	31007	54457H	2	X	PB	
002397	021		NUT, SLOTTED, HEXAGCN, UNEF, 3B STEEL, 1-1/8IN BY 1-5/8IN W ACROSS PLATS BY 1/2IN H	31007	117804H	2	X	PB	
002398	022		RETAINER PINION OIL SEAL	31007	52727HCX	2	X	PB	
002399	023		GEAR SET RING GEAR AND PINION 7.167 TO 1 RATIO	31007	69015R93	2	N	B	
002400	024		BOLT, MACHINE, DIFFERENTIAL CARRIER, SHORT	31007	80 305 R1	15	X	PB	
002401	025		BOLT, MACHINE, UNF, 1A, SAE GRADE 8 STEEL, HEX HD, PHOSPHATED, 7/16 IN. BY 2-1/4 IN. LG, 1-9/16 IN. THD LG	31007	80293R1	3	X	PB	
002402	000		WASHER, LOCK, SPRING STEEL, SINGLE TURN, RECTANGULAR SECTION, CAD PLATED, 7/16 IN BOLT SIZE	K7766	1802	24	X	PB	

SERIAL NUMBER	GROUP & ITEM No.	DESIGNATION	MANUFACTURERS		NO OFF	EXPL CLASS	LEVEL	OF REPAIR
			CODE	PART No.				
1	2	3	4	5	6	7	8	
002403	026	CUP, TAPERED ROLLER BEARING, SINGLE ROW, 4.4375 IN. BY 0.9375 IN.	08162	BT3925	4	X	B	
002404	027	CONE AND ROLLERS, TAPERED ROLLER BEARING, SINGLE ROW, RETAINER TYPE, STRAIGHT BORE, NORMAL ANGLE, 2.2650 IN. BY 1.1830 IN.	29930	ST2007A	4	X	B	
002405	028	HUB, RING GEAR, DIFFERENTIAL, FLANGED HALF	31007	69189R1	2	N	B	
002406	029	GEAR, BEVEL, 16 TEETH, DIFFERENTIAL SIDE	31007	69304R1	4	N	B	
002407	030	WASHER, THRUST, DIFFERENTIAL PINION	31007	88015H	4	X	B	
002408	031	GEAR, SPIDER, DIFFERENTIAL	31007	69169 R1	4	N	B	
002409	032	NUT, SELF-LOCKING, HEXAGON, UNF 2B, P STEEL, TYPE P ZINC COATED, 1/2IN W/NYLON INSERT	20635	NPD166-1	3	X	B	
002410	033	BOLT, MACHINE, DIFFERENTIAL CASE	31007	69019R1	3	X	B	
002411	034	HOUSING, DIFFERENTIAL	31007	69184R1	2	N	B	
002412	035	BEARING, WASHER, THRUST, DIFFERENTIAL SIDE GEAR	31007	86233H	4	X	B	
002413	036	SPIDER, DIFFERENTIAL	77605	C236-5A	2	X	B	
002414	037	RIVET, SOLID, STEEL, FLAT HD, 1/2 IN. DIA, 1-5/8 IN. LG	31007	69017-R1	28	X	B	
002415	038	SCOOP, OIL, DIFFERENTIAL	31007	83394R91	1	X	B	
002416	000	SCOOP, OIL FRONT DIFFERENTIAL CASE	Z0020	TSEV93-69	1	X	B	
002417	039	SCREW, MACHINE, UNC, 2A, SAE GRADE 5 STEEL, HEX HD, ZINC COATED, 1/4 IN. BY 3/4 IN. LG	80204	B18-2-1	2	X	B	
002418	000	SCREW, MACHINE, UNC, 2A, SAE GRADE 5 STEEL, HEX HD, ZINC COATED, 1/4 IN. BY 1/2 IN. LG	80204	B182	2	X	B	
002419	000	WASHER, LOCK, SPRING STEEL, SINGLE TURN, RECTANGULAR SECTION, CAD PLATED, 1/4IN BOLT SIZE	K7766	1802	4	X	B	

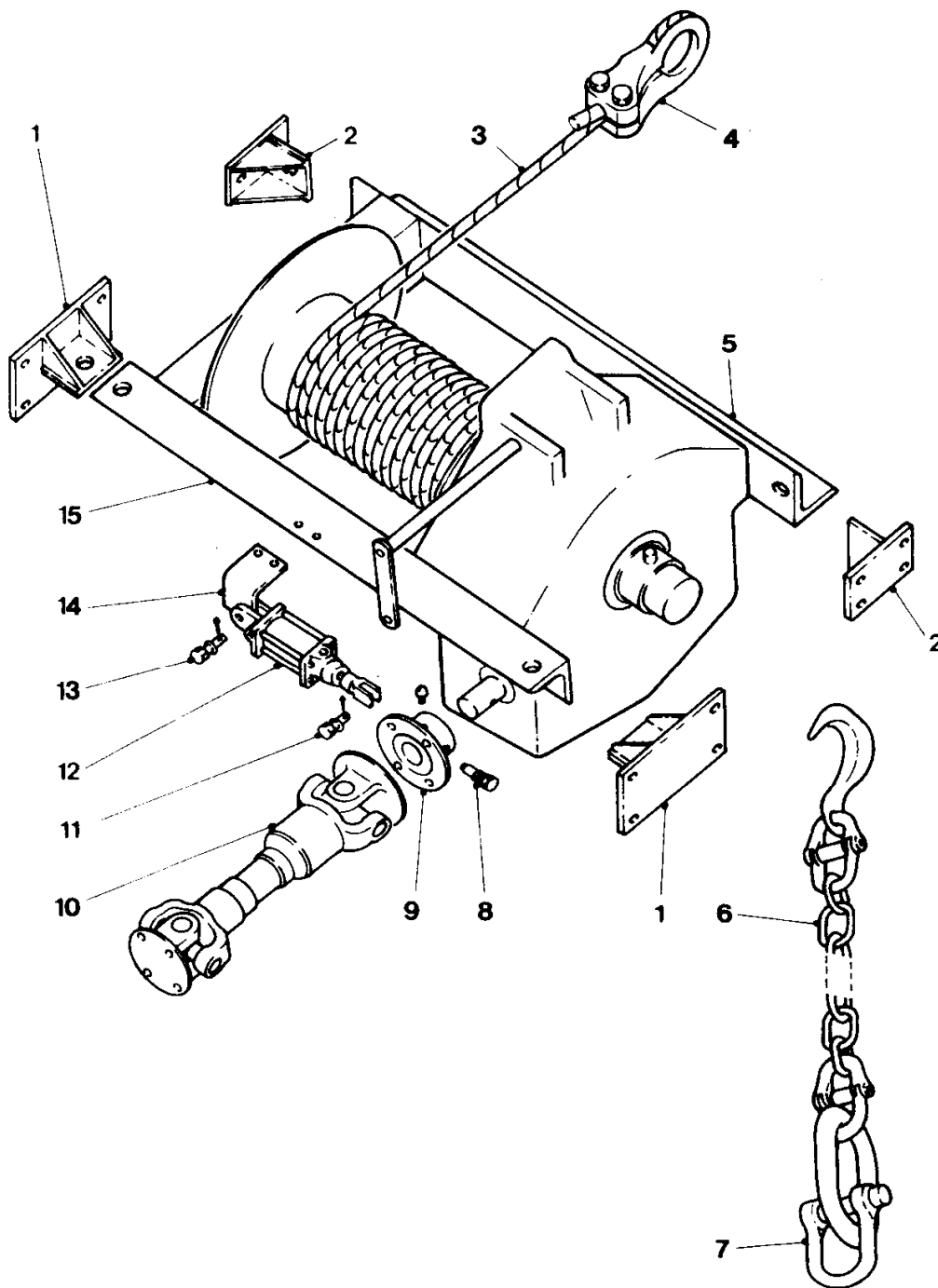


WINCH ASSEMBLY

SERIAL NUMBER	GROUP & ITEM No.	DESIGNATION	MANUFACTURERS		NO OF	EXPL. CLASS	LEVEL	REPAIR
			CODE	PART No.				
1	2	3	4	5	6	7	8	
002439	ED	WINCH ASSEMBLY						
002440	001	WINCH ASSEMBLY	Z0009	882832R91	1	N	PB	
002441	002	NUT, SLOTTED, HEXAGON, UNF 2B, A STEEL, ZINC CCATED, 1-1/4IN	Z0544	B147	1	X	B	
002442	003	WASHER PLAT RD STEEL ZINC COATED SMALL 1 1/4 IN BOLT SIZE 2 3/8 IN OD BY 0 176 IN THK	Z0544	B117	1	X	B	
002443	004	SHIM, STEEL, 2.438 IN. BY 1.313 IN. DIA OF APERATURE, 0.010 IN. THK O/A ZQ218 8626	Z0218	8626	3	X	B	
002444	005	BEARING, SLEEVE	2A076	308238	3	X	B	
002445	006	PLUG, PIPE, BSP, MALLEABLE IRON, HEADLESS, SQUARE DRIVE, SOLID BODY, 1/2 IN.	Z0009	853845R1	3	X	UPB	
002446	007	KEY, WOODRUFF, STEEL, WHITNEY NO B, 1-1/4IN BY 3/8IN	88044	AN280	1	X	B	
002447	008	LEVER ASSEMBLY, CLUTCH SELECTOR	ZQ218	8621	1	X	B	
002448	009	WORMSHAFT, WINCH, RIGHT HAND	Z0218	8582	1	N	B	
002449	010	BEARING, BALL, ANNULAR, GROUND, SINGLE ROW, ANGLE CONTACT, NON-LOADING GROOVE, 45MM BY 100MM BY 25MM	43991	345AC	2	X	B	
002450	011	RING, RETAINING, STEEL, INTERNAL, PHOSPHATED, 100 MM BORE DIA	U0192	A78	2	X	B	
002451	012	SEAL, PLAIN ENCASED	Z0218	8622	2	X	B	
002452	013	BOLT, SHEAR, WINCH DRIVING FLANGE	Z2813	ADEV225-719	1	X	UPB	
002453	014	COUPLING HALP, SHAFT, WINCH DRIVE	Z0020	ADEV225-718	1	X	B	
002454	015	FITTING, LUBRICATION, HYDRAULIC TYPE, STEEL, CAD OR ZINC PLATED, 1/8 IN.-27 NPTF EXT	Z1998	5B	2	X	UPB	
002455	016	SHIFTER FORK, WINCH	Z0218	8620	1	X	B	
002456	017	GEAR, WORM WHEEL, RH	Z0218	5372	1	N	B	
002457	018	WASHER, FLAT, RD, STEEL, ZINC COATED, SMALL, 3/4 IN. BOLT SIZE, 1-1/2 IN. OD 0.128 IN. THK	ZQ544	B117	1	X	B	
002458	019	GASE, GEAR			1			
002459	020	BOLT, MACHINE, UNF, 2A, SAE GRADE 5 STEEL, HEX HD, ZINC COATED, 1/2IN BY 1-5/8IN LG	80204	B18-2	3	X	B	

SERIAL NUMBER	GROUP & ITEM No.	DESIGNATION	MANUFACTURERS		NO OFF	EX P. CLASS	LEVEL	REPAIR
			CODE	PART No.				
1	2	3	4	5	6	7	8	
002460	021	WORMGEAR SPIDER CASTING	24076	3003461	1	X	B	
002461	022	WASHER, LOCK, STEEL, SPRING, SINGLE TURN, RECTANGULAR SECTION, CAD PLATED, 1/2 IN. BOLT SIZE	K7766	1802	3	X	B	
002462	023	NUT, PLAIN, HEXAGON, UNF 2B, STEEL, FORMED, ZINC COATED, 1 1/2 IN	80204	B18-2	8	X	B	
002463	024	RING, RETAINING, STEEL, EXTERNAL, 2-3/4 IN. SHAFT DIA	Z0218	8663	1	X	B	
002464	025	CLUTCH HALF, POSITIVE, SLIDING	Z0218	6644	1	X	B	
002465	026	SHAFT, SHOULDERED, WINCH	Z0218	8625	1	N	B	
002466	027	RETAINER, PACKING, DRUM	24076	308243	1	X	B	
002467	028	SCREW, MACHINE, UNF, 2A, SAE GRADE 5 STEEL, HEX HD, ZINC COATED, 1/2 IN BY 1-3/8 IN LG	80204	B18-2	6	X	B	
002468	029	FELT, MECHANICAL, PREFORMED, DRUM	24076	3001829	1	X	B	
002469	030	WASHER, THRUST, DRUM	Z0218	6728	1	X	B	
002470	031	RING, CLUTCH	24076	3004290	1	X	B	
002471	032	SETSCREW, BSW, STEEL, HEADLESS, HEX SOCKET, OVAL POINT, 3/4 IN BY 3/4 IN	K7766	2470	1	X	B	
002472	033	BRAKE SHOE, DRAG BRAKE, C/W LINING	24076	308567	1	X	B	
002473	034	SPRING, HELICAL, COMPRESSION, STEEL, RD SHAPE, 0.106 IN. WIRE SIZE, SQUARED AND GROUND ENDS, 3/8 IN. ID, 0586 IN. OD, 2 IN. FREE LG	19207	538712	1	X	B	
002474	035	SHIM, DRUMSHAFT, WINCH	24076	308308	2	X	B	
002475	036	BEARING, SLEEVE, END FRAME	24076	308244	1	X	B	
002476	037	FRAME END, WINCH	Z0218	6387	1	X	B	
002477	038	SCREW, DRIVE, TYPE U, STEEL, RD HD, BRASS FINISH, NO 4 BY 3/16 IN. LG	80204	B18-6-4	4	X	UFB	
002478	039	PLATE IDENTIFICATION			1			
002479	040	DRUM ASSEMBLY, WINCH	Z0218	8613A	1	N	B	
002480	041	SCREW, MACHINE, UNC, 2A, SAE GRADE 5 STEEL, HEX HD, ZINC COATED, 1/4 IN. BY 1/2 IN. LG	80204	B182	4	X	B	
002481	042	BRAKE DRUM, AUTOMATIC BRAKE	Z0218	6735	1	X	B	

S E R I A L	N U M B E R	G R O U P & I T E M N o.	D E S I G N A T I O N	M A N U F A C T U R E R S		N O O F F	E X P. C L A S S	L E V E L	O F	R E P A I R
				C O D E	P A R T N o.					
1	2	3	4	5		6	7	8		
002482	043	BRAKE BAND, WINCH, W/LININGS	Z0218	6723		1	N	B		
002483	044	BUSHING, SLEEVE	24076	6724		1	X	B		
002484	045	BOLT, BRAKE ADJUSTING	24076	3001495		1	X	B		
002485	046	COVER, AUTO BRAKE, WINCH	24076	3004379		1	X	FB		
002486	047	SCREW, SELF-TAPPING, STEEL, CAD PLATED, NO 10 BY 5/8IN LG	24076	107344		5	X	B		
002487	048	RING, RETAINING, STEEL, EXTERNAL, 1-1/2 IN. SHAFT DIA	K0745	1400-1 1-2 IN.		1	X	B		
002488	049	RING, RETAINING, STEEL, PHOSPHATED, EXTERNAL, 15 MM SHAFT DIA	K0745	1400-15M		1	X	B		
002489	050	SPRING, HELICAL, COMPRESSION, WINCH	24076	3002614		1	X	B		
002490	051	NUT, SLEEVE ADJUSTING	Z0218	6730		1	X	B		
002491	052	CASE, AUTOMATIC BRAKE	Z0218	8618		1	X	B		



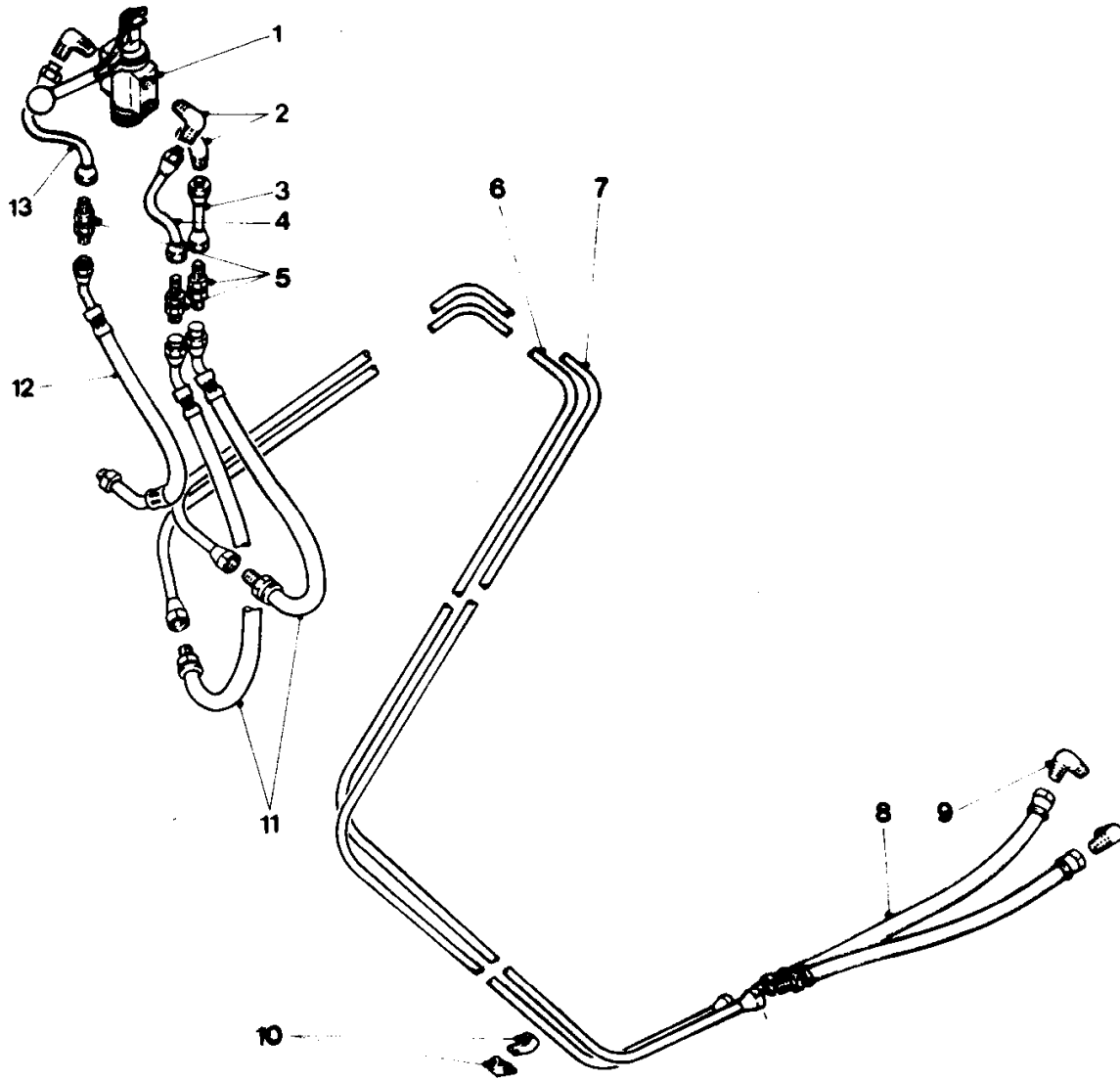
WINCH MOUNTINGS, ROPE AND DRIVE SHAFT

SERIAL	NUMBER	GROUP & ITEM No.	DESIGNATION	MANUFACTURERS		NO OF	EXP. CLASS	LEVEL	OF	REPAIR
				CODE	PART No.					
1	2	3	4	5		6	7	8		
002512	EDA		WINCH MONTINGS, ROPE AND DRIVE SHAFT							
002513	001		BRACKET, WINCH	Z0020	ADEV225-4867	1	X			B
002514	002		BRACKET			2				
002515	000		BOLT, MACHINE, UNF, 2A, SAE GRADE 5 STEEL, HEX HD, ZINC COATED, 7/16IN BY 2IN LG	80204	B18-2	14	X			PB
002516	000		NUT, PLAIN, HEXAGON, UNF 2B, STEEL, FORMED, ZINC COATED, 1/2IN	80204	B18-2	14	X			PB
002517	000		WASHER, LOCK, STEEL, SPRING, SINGLE TURN, RECTANGULAR SECTION, CAD PLATED, 1/2 IN. BOLT SIZE	K7766	1802	14	X			PB
002518	000		SCREW, MACHINE, UNF, 2A, SAE GRADE 5 STEEL, HEX HD, ZINC COATED, 7/8IN BY 2IN	31007	271837	4	X			PB
002519	000		NUT, PLAIN, HEXAGON, UNF 2B, STEEL, FORMED, ZINC COATED, 7/8IN	80204	B18-2	4	X			PB
002520	003		WIRE ROPE ASSEMBLY, SINGLE LEG, HIGH GRADE PLOW STEEL, 35,000 LB BREAKING STRENGTH, 5/8 IN DIA, 6/25 (6X12/6+6PI), W/COMBINATION CLAMP AND IDENTIFICATION FERRULE, 250 FT LG	Z0020	ADE(V) 225-733	1	N			UFB
002521	004		CLAMP AND THIMBLE, WIRE ROPE, ELECTRIC CAST STEEL, ZINC COATED, 5/8 IN. ROPE DIA CAPACITY	Z0880	HAYCO CLAMP & THIMBLE 5/8 IN.	1	X			UFB
002522	005		BRACKET, ANGLE, WINCH SUPPORT REAR	Z0020	TSEV106-7	1	X			B
002523	000		SCREW, CAP, HEXAGON HEAD, UNF, 2A, STEEL, ZINC PLATED, 7/8IN. BY 1-3/4IN. LG	24617	271835	3	X			PB
002524	000		WASHER, LOCK SPRING, STEEL, SINGLE TURN, RECTANGULAR SECTION, CAD PLATED, 7/8IN BOLT SIZE	K7766	1802	3	X			PB
002525	006		CHAIN ASSEMBLY, SINGLE LEG, ALLOY STEEL, W/HOOK, OBLONG LINK AND REMOVABLE JOINING LINKS, 5 FT FREE LG, FOR 1/2 IN. CHAIN SIZE	Z2877	TSEV68-5	1	X			UFB
002526	007		SHACKLE, LARGE D, SWL 3 TON 15 CWT	K7766	825	1	X			UFB
002527	008		BOLT, SHEAR, WINCH DRIVING FLANGE	Z2813	ADEV225-719	1	X			UFB
002528	009		COUPLING HALF, SHAFT, WINCH DRIVE	Z0020	ADEV225-718	1	X			PB

S E R I A L	N U M B E R	G R O U P & I T E M N o.	D E S I G N A T I O N	M A N U F A C T U R E R S		N O O F	E X P L O S I O N C L A S S	L E V E L O F	R E P A I R
				C O D E	P A R T N o.				
1	2	3	4	5		6	7	8	
002529	010	PROPELLER SHAFT ASSEMBLY, WINCH DRIVE	Z0020	TSEV106-17		1	X	UPB	
002530	000	PARTS KIT, UNIVERSAL JOINT	31007	127574R91		2	X	FB	
002531	000	SCREW, MACHINE, UNF, 2A, SAE GRADE 5 STEEL, HEX HD, ZINC COATED 7/16IN BY 1-1/4IN LG	80204	B18-2		4	X	UPB	
002532	000	SCREW, MACHINE, UNF, 2A, SAE GRADE 5 STEEL, HEX HD, ZINC COATED, 7/16 IN. BY 1 IN. LG	80204	18-2		4	X	UPB	
002533	000	NUT, PLAIN, HEXAGON, UNF 2B, STEEL, FORMED, ZINC COATED, 7/16IN	80204	B18-2		8	X	UPB	
002534	000	WASHER, LOCK, SPRING STEEL, SINGLE TURN, RECTANGULAR SECTION, CAD PLATED, 7/16 IN BOLT SIZE	K7766	1802		9	X	UPB	
002535	011	PIN, STRAIGHT, HEADED, STEEL, FLAT HD, CASEHARDENED, 1/2 IN. DIA BY 1/5-16 IN. LG, DRILLED FOR COTTER PIN	31007	27128H		1	X	UPB	
002536	012	CYLINDER WINCH ACTUATING (REFER GROUP EDD)							
002537	013	PIN, ROD END	31007	7099H		1	X	UPB	
002538	014	BRACKET, ANGLE, STEEL, 90 DEG ANGLE 2.6 IN. LEG LG, 3/8 IN. THK	Z0020	ADEV225-		1	X	B	
002539	000	BOLT, MACHINE, UNF, 2A, SAE GRADE 5 STEEL, HEX HD, ZINC COATED, 3/8IN BY 1-1/4IN LG	80204	B18-2		2	X	B	
002540	000	NUT, PLAIN, HEXAGON, UNF 2B, STEEL, FORMED, ZINC COATED, 3/8IN	80204	B18-2		2	X	B	
002541	000	WASHER, LOCK, SPRING, STEEL, SINGLE TURN, RECTANGULAR SECTION, CAD PLATED, 3/8 IN. BOLT SIZE	K7766	1802		2	X	B	
002542	015	MEMBER, WINCH SUPPORT, FRONT	Z0020	ADEV225-37		1	X	B	
002543	000	SCREW, CAP, HEXAGON HEAD, UNF, 2A, STEEL, ZINC PLATED, 7/8IN. BY 1-3/4IN. LG	24617	271835		3	X	B	
002544	000	WASHER, LOCK SPRING, STEEL, SINGLE TURN, RECTANGULAR SECTION, CAD PLATED, 7/8IN BOLT SIZE	K7766	1802		3	X	B	
002545	000	WIRE ROPE, STEEL, 16 MM DIA, 6X25 12/6+6F/1 1770 GRADE, RHOL, IWRC, GALV, 16.40 TONNE BREAKING STRENGTH	Z0544	AS1656TABLE8		1	N	UPB	

GROUP EDB

RPS02031



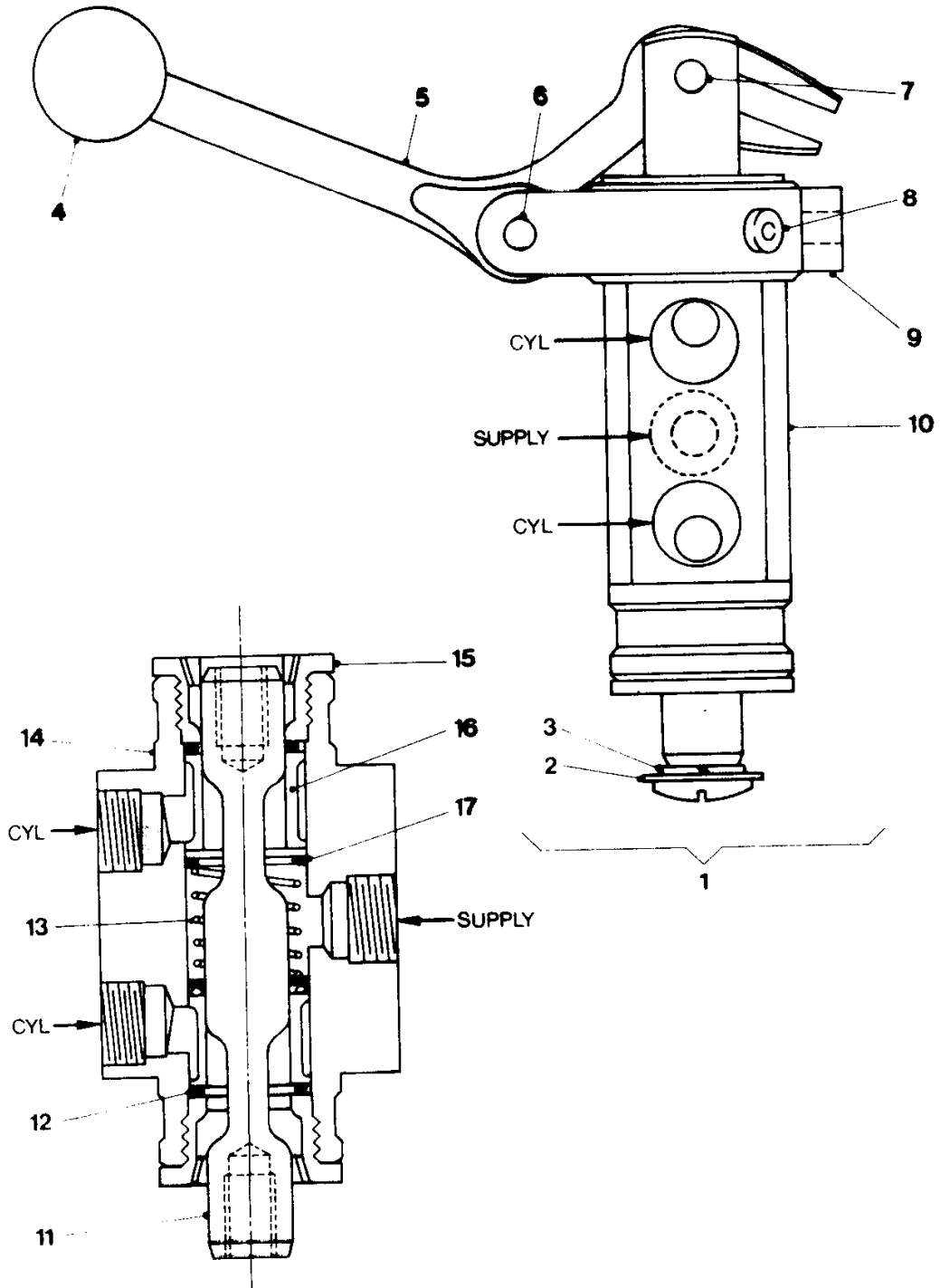
WINCH AIR LINES - PLUNGER TYPE VALVE

SERIAL	NUMBER	GROUP & ITEM No.	DESIGNATION	MANUFACTURERS		NO OF	EXPL. CLASS	LEVEL	REPAIR
				CODE	PART No.				
1	2	3	4	5		6	7	8	
002565	EDB		WINCH AIR LINES-PLUNGER TYPE VALVE						
002566	001		VALVE (REFER GROUP EDC)						
002567	000		BOLT MACHINE UNF 2A SAE GRADE 5 STEEL HEX HD ZINC COATED 1/4IN BY 1IN LG	80204	B18-2	2	X		FB
002568	000		WASHER, FLAT, RD, STEEL, ZINC COATED, 5/16IN. 5/8 IN. CD BY 0.072 IN. THK	Z1272	038-060	2	X		FB
002569	000		WASHER, LOCK, SPRING STEEL, SINGLE TURN, RECTANGULAR SECTION, CAD PLATED, 1/4IN BOLT SIZE	K7766	1802	2	X		FB
002570	000		NUT, PLAIN, HEXAGON, UNF, 2B, STEEL, FORMED, ZINC COATED, 1/4 IN.	80204	B18-2	2	X		FB
002571	002		ELBOW, PIPE TO TUBE, BRASS, 90 DEG, U/W 3/8 IN. OD TUBE, 1ST END 5/8 IN. UNF/EXT 45 DEG SEAT, 2ND END 3/8 IN. BSP/EXT	Z0009	858781R1	3	X		FB
002572	003		TUBE ASSEMBLY, METAL, HAND VALVE TO BULKHEAD FITTING	Z2813	ADEV225-452	1	X		FB
002573	004		TUBE, METALLIC, STEEL, MILD, WELDED DOUBLEWALL, COPPER COATED, 3/8 IN. OD, 0.028 IN. WALL THK	81343	J527	1	X		FB
002574	C05		BULKHEAD FITTING ASSEMBLY, WITH 5/8 UNF BRASS JAM NUTS	Z0020	ADEV225-404	3	X		FB
002575	000		TEE, TUBE, BRASS, 1ST & 2ND ENDS THD 5/8 IN. UNF EXT, 3RD END THD 7/16 IN. UNF EXT	Z0020	ADEV94-281	1	X		FB
002576	000		WASHER, LOCK STEEL, SHAKEPROOF, CAD PLATED, EXTERNAL TYPE 11, 5/8IN BOLT SIZE			1	X		FB
002577	006		PIPE, WINCH HAND VALVE HOSE TO AIR CYLINDER HOSE (DISENGAGE)	Z2813	ADEV225-387	1	X		FB
002578	007		PIPE, WINCH HAND VALVE HOSE TO AIR CYLINDER HOSE (ENGAGE)	Z2813	ADEV225-388	1	X		FB
002579	008		HOSE ASSEMBLY, RUBBER, 3/8IN ID BY 3/4IN OD BY 11IN LG W/COUPLINGS	Z0020	ADEV225-467	2	X		UPB
002580	C09		ELBOW, PIPE TO TUBE, BRASS, 90 DEG, 3/8 IN. TUBE, 5/8 IN. UNF EXT, 1/4 IN. BSP EXT	ZC009	856043R1	2	X		FB
002581	010		CLIP CLOSED 3/8 IN			4			

S E R I A L	N U M B E R	G R O U P & I T E M N o.	D E S I G N A T I O N	M A N U F A C T U R E R S		N O O F	E X P L O S I O N	L E V E L	O F	A P P L I C A T I O N
				C O D E	P A R T N o.					
1	2	3	4	5	6	7	8			
002582	000	SCREW, MACHINE, UNF, 2A, SAE GRADE 5 STEEL, HEX HD ZINC COATED, 1/4 IN. BY 3/4 IN. LG	80204	B18-2	4	X				FB
002583	000	WASHER, LOCK, SPRING STEEL, SINGLE TURN, RECTANGULAR SECTION, CAD PLATED, 1/4 IN BOLT SIZE	K7766	1802	4	X				FB
002584	000	NUT, PLAIN, HEXAGON, UNF, 2B, STEEL, FORMED, ZINC COATED, 1/4 IN.	80204	B18-2	4	X				FB
002585	011	HOSE ASSEMBLY, RUBBER, PIPE TO BULKHEAD FITTING	Z0020	ADEV225-463	2	X				UPB
002586	012	HOSE ASSEMBLY, RUBBER, TEE TO BULKHEAD FITTING	Z0020	ADEV225-465	1	X				UPB
002587	013	TUBE ASSEMBLY, METAL, STEEL TUBE 3/8 IN. OD, 5/8 UNF COUPLING NUT EACH END, HANDVALVE TO BULKHEAD FITTING	Z0020	ADEV225-459	1	X				FB

GROUP EDC

RPS02031

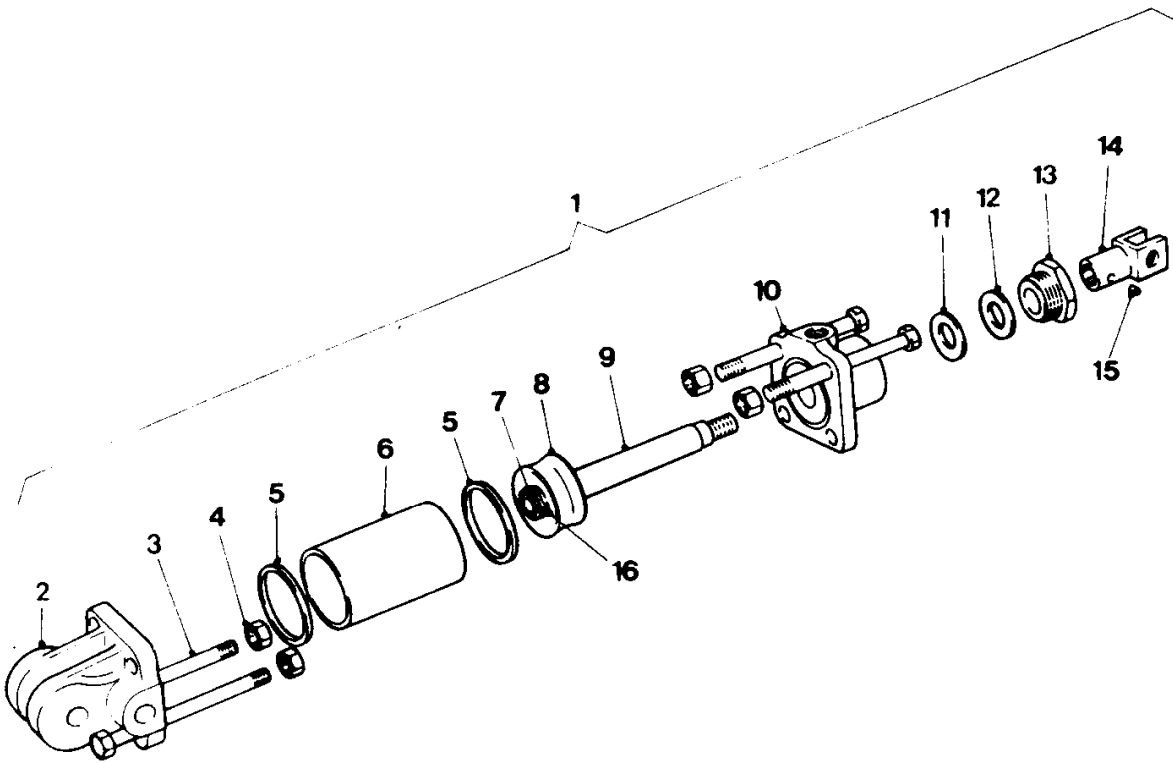


WINCH AIR VALVE PLUNGER TYPE

SERIAL	NUMBER	GROUP & ITEM No.	DESIGNATION	MANUFACTURERS		N	D	E	X	P
				CODE	PART No.					
1	2	3	4	5	6	7	8			
002609	EDC		WINCH AIR VALVE, PLUNGER TYPE							
002610	001		HAND VALVE ASSEMBLY, WINCH CONTROL	Z0160	PA625	1	N			UPB
002611	002		SCREW, ASSEMBLED WASHER, ESW, STEEL, BUTTON HD, SLOT DRIVE, CAD PLATED, 3/8 IN. BY 27/32 IN. LG. 1 IN. OD WASHER	ZQ160	CA318-32	1	X			PB
002612	003		WASHER, LOCK, SPRING, STEEL, SINGLE TURN, RECTANGULAR SECTION, CAD PLATED, 3/8 IN. BOLT SIZE	K7766	1802	2	X			PB
002613	004		KNOB, LEVER	Z0160	CA323-32	1	X			UPB
002614	005		LEVER			1				
002615	006		TRUNION			1				
002616	007		TRUNION			1				
002617	008		BOLT, INTERNAL WRENCHING, BSW, MEDIUM FIT, X STEEL, KNURLED HEX SOCKET HD, CAD PLATED PASSIVATED FINISH, 1/4IN BY 1IN.	Z1272	042-266	1	X			PB
002618	009		BRACKET			1				
002619	010		VALVE AIR			1				
002620	011		STEM, AIR CONTROL VALVE, WINCH AIR VALVE	ZQ160	CA307-34	1	X			PB
002621	012		PACKING, PREFORMED, SYNTHETIC, RUBBER, 0.619 IN. ID BY 0.173 IN. O/A H, WINCH AIR VALVE	Z0160	130221	4	X			PB
002622	013		SPRING, HELICAL, COMPRESSION, STEEL, 0.781IN LG O/A BY 0.920IN OD BY 0.792IN ID	ZQ160	CA303-32	1	X			PB
002623	014		BODY			1				
002624	015		BEARING, EXHAUST	ZQ160	CA30633	1	X			PB
002625	016		SLEEVE, DIRECTIONAL CCTRL LINEAR VALVE	ZQ160	CA301-32	1	X			PB
002626	017		WASHER, CONVEX, BRASS, 0.634 IN. ID BY 0.926 IN. OD BY 0.099 IN. THK	Z0160	CA304-32	1	X			PB
002627	000		RETAINER, SPRING, DIRECTIONAL CONTROL LINEAR VALVE	Z0160	CA340-36	1	X			PB
002628	000		PLATE, INSTRUCTION, WINCH DOG CLUTCH, INSCRIBED ENGAGE - DISENGAGE WINCH CLUTCH	Z0020	ADEV225-502	1	X			UPB

GROUP EDD

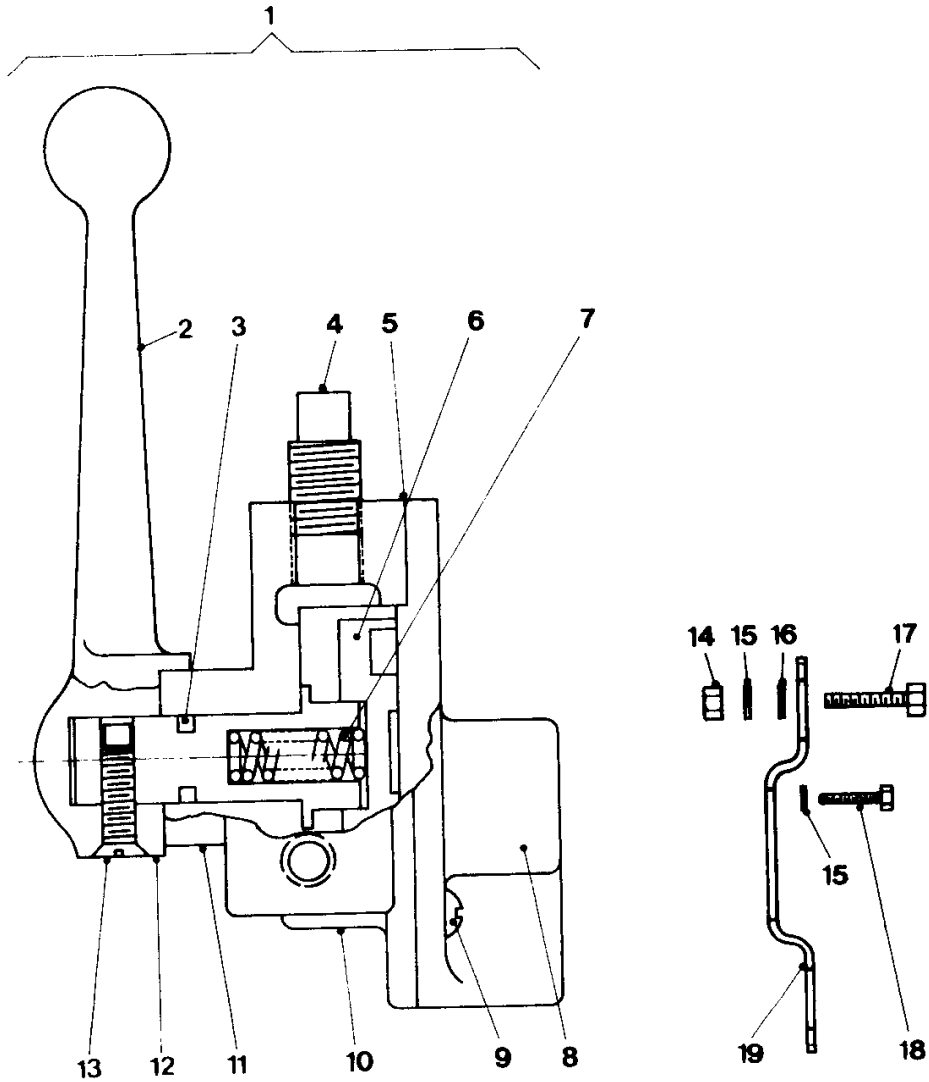
RPS02031



WINCH ACTUATING CYLINDER

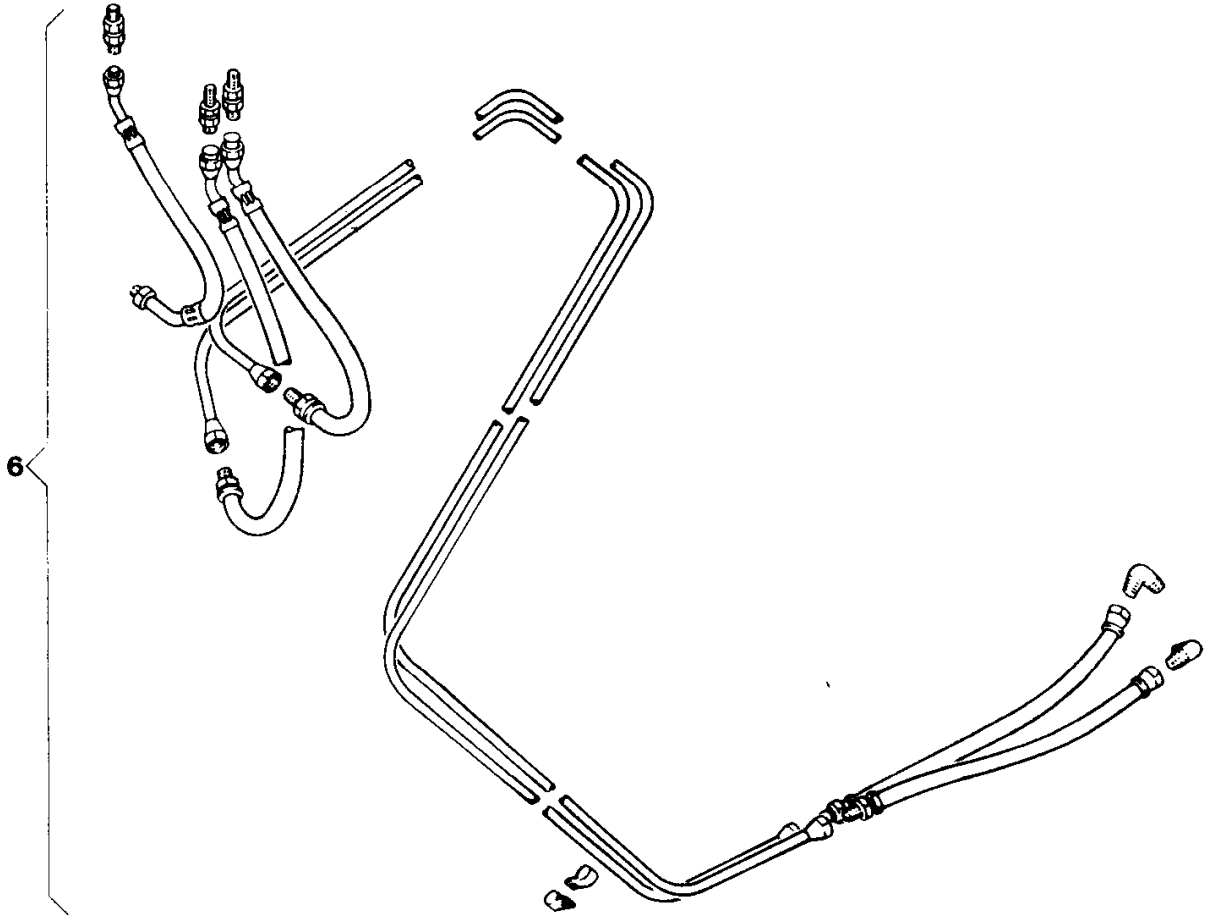
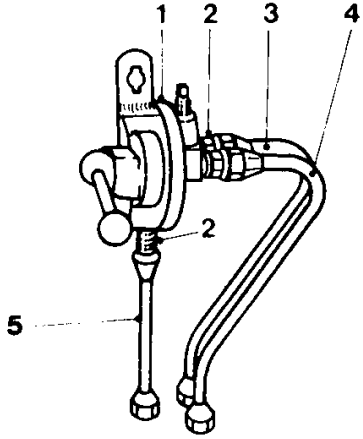
S E R I A L	N U M B E R	G R O U P & I T E M N o.	D E S I G N A T I O N	M A N U F A C T U R E R S		N O O F	E X P L O S I V E	L E V E L	R E F A R E
				C O D E	P A R T N o.				
1	2	3	4	5	6	7	8		
002648	EDD	WINCH ACTUATING CYLINDER							
002649	001	AIR CYLINDER, WINCH CLUTCH CONTROL	Z0020	ADEV225-523	1	N		PB	
002650	002	END, BLIND			1				
002651	003	STUD, PLAIN, UNF, 2A, STEEL, 5/16IN BY 3.940IN LG	Z0160	PC1982	4	X		PB	
002652	004	NUT, PLAIN, HEXAGON, UNF, 2B, STEEL, FORMED, ZINC COATED, 5/16 IN.	Z1272	034-079	8	X		PB	
002653	005	WASHER, NONMETALLIC, CORK, 1.560IN.ID, BY 1.760IN.OD BY 0.060IN.THK	ZQ160	PC141	2	X		PB	
002654	006	BARREL, AIR CYLINDER, WINCH CONTROL CLUTCH, BRASS	Z0160	PC142-1.25BRASS	1	X		PB	
002655	007	NUT, PLAIN, HEXAGON, UNF-2B LEADED STEEL, 7/16IN, 0.620IN W ACROSS FLATS, 0.190IN HIGH	ZQ160	PC1541-3	1	X		PB	
002656	008	PISTON, AIR CYLINDER	ZQ160	PC5000-10	1	X		B	
002657	000	COLLAR PISTON			1				
002658	009	SHAFT, SHOULDERED, STEEL, CHROMIUM PLATED, 5-9/16IN O/A LG.	Z0160	PC731-1-25	1	X		B	
002659	010	END SEAL, AIR CYLINDER	Z0160	PC127T	1	X		B	
002660	000	BUSHING, SHAFT	Z0160	PC864	1	X		B	
002661	011	ADAPTER, POWER CYLINDER, BOTTOM	Z0160	PC866	1	X		B	
002662	012	PACKING, PREFORMED, SYNTHETIC RUBBER, 0.618IN ID, 1.132IN OD, 0.312IN H O/A	Z0160	PC865	2	X		PB	
002663	013	PACKING NUT, UNF, 2A, ALUMINIUM ALLOY, 1-1/4 IN., 0.645 IN. ID, 21/32 IN. LG O/A	Z0160	PC810-3	1	X		B	
002664	014	CLEVIS, ROD END STEEL, CAD PLATED, UNF, 2B, 7/16IN., 0.880IN. W. BY 0.880IN. H. BY 0.447IN. FORK SPAN BY 1.990IN LG O/A	Z0160	PC1956	1	X		UPB	
002665	015	SETScrew, UNF, 2A, STEEL, HEADLESS, FLAT POINT, SLOTTED, CAD PLATED, 1/4IN BY 1/4IN LG	K7766	768	1	X		B	
002666	016	NUT, PLAIN, HEXAGON, UNF-2B STEEL, 7/16W, 0.620W W ACROSS FLATS, 0.210IN HIGH	Z0160	PC813-3	1	X		UPB	

S E R I A L	N U M B E R	G R O U P & I T E M N o.	D E S I G N A T I O N	M A N U F A C T U R E R S		N O O F	E X P L A S S	L E V E L O F	R E P A I R
				C O D E	P A R T N o.				
1	2	3	4	5	6	7	8		
002667	000	WASHER, FLAT, RD, STEEL, ZINC COATED, SMALL, 7/16 IN. BOLT SIZE, 7/8 IN. OD BY 0.092 IN. THK	Z0544	B117	1	X	UPB		
002668	000	PARTS KIT, AIR CYLINDER, WINCH	Z0160	PCK15	1	X	FB		



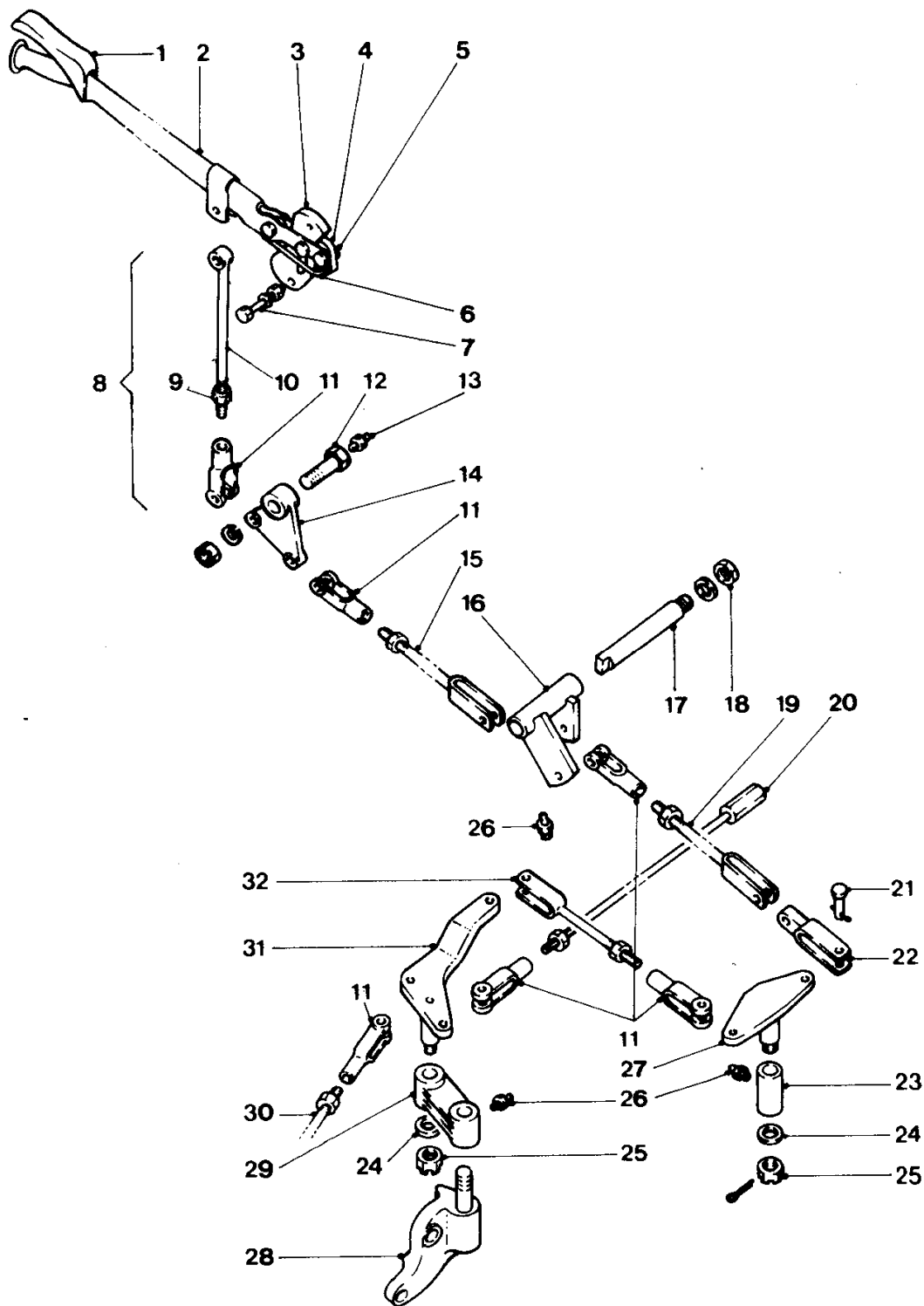
WINCH AIR VALVE - ROTARY TYPE

SERIAL	NUMBER	GROUP & ITEM No.	DESIGNATION	MANUFACTURERS		NO OF	EXPL. CLASS	LIFE	REPAIR
				CODE	PART No.				
1	2	3	4	5	6	7	8		
002689	EDE		WINCH AIR VALVE-ROTARY TYPE						
002690	001		HAND VALVE ASSEMBLY, WINCH CONTROL	Z0160	PA625	1	N		PB
002691	002		HANDLE			1			
002692	003		O RING			1			
002693	004		PLUG, PIPE, NPT, STEEL, SQ HD, EXT, ZINC COATED, 1/4 IN (REFER EME1 VEH G507-14)	Z0160	L3241	1	X		UPB
002694	005		GASKET			1			
002695	006		ROTARY VALVE			1			
002696	007		SPRING			1			
002697	008		LOWER BODY			1			
002698	009		SCREW-CH. HD. 3/16IN BSW X 3/8 LG. BLACK OXIDE			6			
002699	010		UPPER BODY			1			
002700	011		SPINDLE			1			
002701	012		WASHER NO.10 C-SUNK EYE. TOOT HLOCK BLACK OXIDE			1			
002702	013		SCREW CSK. HD. 3/16IN X 5/8IN LG BSN			1			
002703	000		PARTS KIT, WINCH CONTROL HAND VALVE CONSISTS OF SERIALS 2692, 2694, 2695, 2696)	Z0160	CA62-14	1	X		PB
002704	014		NUT, PLAIN, HEXAGON, UNF, 2B, STEEL, GRADE 0, ZINC COATED, 5/16 IN.	K5436	0576002	2	X		UPB
002705	015		WASHER, LOCK, SPRING, STEEL, SINGLE TURN, RECTANGULAR SECTION, CAD PLATED, 5/16 IN. BOLT SIZE	17600	DX252	1	X		UPB
002706	016		WASHER, FLAT, RD, STEEL, ZINC COATED, 5/16IN. 5/8 IN. OD BY 0.072 IN. THK	Z1272	038-060	2	X		UPB
002707	017		SCREW, MACHINE, UNF, 2A, R STEEL, HEX HD, ZINC COATED, 5/16 IN. BY 3/4 IN.	ZQ544	B147	2	X		UPB
002708	016		SCREW, MACHINE, BSW, MEDIUM FIT, STEEL, HEX HD, CAD PLATED, PASSIVATED, 5/16IN BY 1/2IN LG	ZQ544	ASB117	2	X		UPB
002709	019		STRAP, RETAINING, STEEL, 2.125IN LG ARCH, 1IN W O/A, 4.750IN LG O/A	Z2813	ADEV94-574	1	X		UPB



WINCH AIR LINES - ROTARY TYPE VALVE

S E R I A L	N U M B E R	G R O U P & I T E M N o.	D E S I G N A T I O N	M A N U F A C T U R E R S		N O O F	F I X C L A S S	L E V E L	R E P A I R
				C O D E	P A R T N o.				
1	2	3	4	5	6	7	8		
002730	EDF	WINCH AIR LINES-ROTARY TYPE VALVE							
002731	001	AIR VALVE (REFER GROUP EDE)							
002732	002	ADAPTER, STRAIGHT, PIPE TO TUBE, BRASS, 1/4 IN. ESP BY 9/16 IN. -18 JIC	Z2813	ADEV94-560		3	X	UPB	
002733	003	TUBE ASSEMBLY, METAL, STEEL, 3/8 IN. OD 0.028 IN. WALL THK, W/TWO 5/8 IN. UNF SHORT FLARE NUTS, 1/4 IN. OFFSET	Z2813	ADEV94-558		1	X	UPB	
002734	004	TUBE ASSEMBLY, METAL, STEEL, 3/8 IN. OD, 0.028 IN. WALL THK, W/TWO 5/8 IN. UNF SHORT FLARE NUTS, 1/8 IN. OFFSET	Z2813	ADEV94-557		1	X	UPB	
002735	005	TUBE ASSEMBLY, METAL, STEEL, 3/8 IN. OD, 0.028 IN. WALL THK, W/TWO 5/8 IN. UNF SHORT FLARE NUTS, 5.375 IN. O/A LG	Z2813	ADEV94-559		1	X	UPB	
002736	006	WINCH AIR LINES (REFER GROUP EDB)							



HANDBRAKE CONTROL

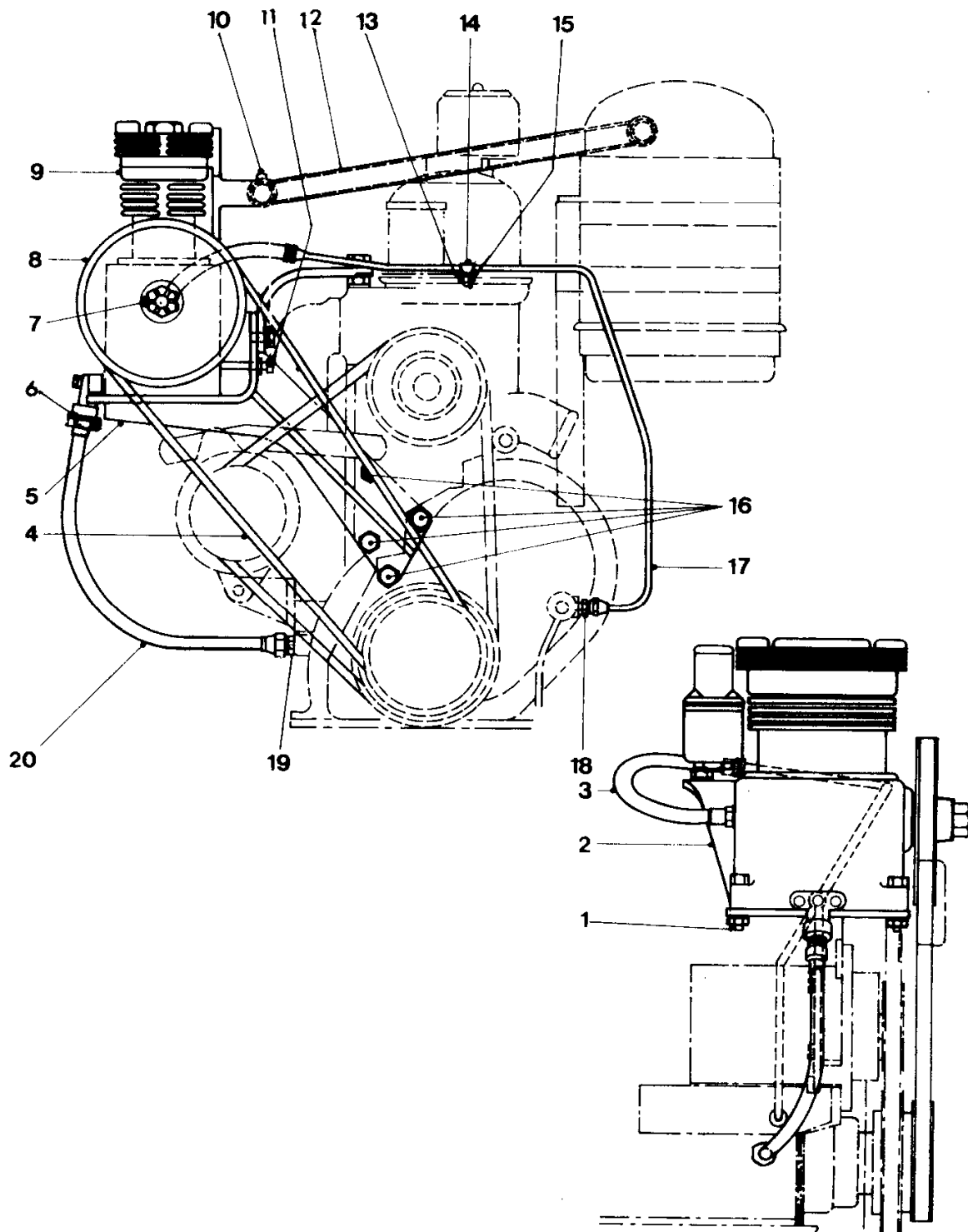
SERIAL NUMBER	GROUP & ITEM No.	DESIGNATION	MANUFACTURERS		NO OF	EXPLAS	LEVEL	REPAIR
			CODE	PART No				
1	2	3	4	5	6	7	8	
002747	FA	HANDBRAKE CONTROL						
002748	001	SPOON, HAND BRAKE LEVER	31007	49654H	1	X	UPB	
002749	000	SPRING, HELICAL, COMPRESSION	31007	184239R1	1	X	UPB	
002750	002	LEVER ASSY HANDBRAKE	Z0020	ADEV225-725ISSUE3	1	N	PB	
002751	003	SECTOR, LEVER	Z0009	682901R1	1	X	UPB	
002752	004	PAWL, HAND BRAKE LEVER	31007	64972HA	1	X	UPB	
002753	005	BOLT LEVER TO SECTOR	31007	89531H	3	X	UPB	
002754	000	NUT, SELF-LOCKING, HEXAGON, UNF, 2B P STEEL, TYPE P, ZINC COATED, 3/8IN W/NYLON INSERT	Z0635	NPD126/11/6	3	X	UPB	
002755	006	ROD, PAWL, W/PAWL	31007	169170R21	1	X	PB	
002756	007	BOLT, MACHINE, UNF, 2A, SAE GRADE 5 STEEL, HEX HD, ZINC COATED, 3/8IN BY 1-3/4IN LG	80204	B18-2	2	X	UPB	
002757	000	NUT, PLAIN, HEXAGON, UNF 2B, STEEL, FORMED, ZINC COATED, 3/8IN	80204	B18-2	2	X	UPB	
002758	000	WASHER, LOCK, SPRING, STEEL, SINGLE TURN, RECTANGULAR SECTION, CAD PLATED, 3/8 IN. BOLT SIZE	K7766	1802	2	X	UPB	
002759	008	CONNECTING LINK, RIGID, HANDBRAKE, FRONT	Z0020	ADEV225-658	1	X	PB	
002760	009	NUT, PLAIN, HEXAGON, UNF 2B, STEEL, FORMED, ZINC COATED, 3/8IN	80204	B18-2	1	X	UPB	
002761	010	CONNECTING LINK, RIGID, HANDBRAKE LEVER	Z2813	ADE(V) 225-657	1	X	UPB	
002762	011	CLEVIS, ROD END,	31007	10764V	6	X	UPB	
002763	012	BOLT, FLUID PASSAGE, HAND BRAKE BELL-CRANK	Z2813	TSEV93-265	1	X	PB	
002764	000	NUT, PLAIN, HEXAGON, UNF 2B, STEEL, FORMED, ZINC COATED, 1/2IN	80204	B18-2	1	X	UPB	
002765	000	WASHER, LOCK, STEEL, SPRING, SINGLE TURN, RECTANGULAR SECTION, CAD PLATED, 1/2 IN. BOLT SIZE	K7766	1802	1	X	UPB	
002766	013	FITTING, LUBRICATION, HYDRAULIC TYPE, STEEL, CAD OR ZINC COATED, 1/8-27 NPTF, DRYSEAL 90 DEG ANGLE	96906	MS15003-6	1	X	UPB	
002767	014	BELL CRANK, HANDBRAKE	Z2813	ADE(V) 225-473-1	1	X	PB	
002768	000	BUSHING, SLEEVE, PHOSPHOR BRONZE, 3.610IN ID BY 0.812IN OD BY 3/4IN LG	Z2813	TSE(V, 93-264	1	X	PB	

S E R I A L	N U M B E R	G R O U P & I T E M N o	D E S I G N A T I O N	M A N U F A C T U R E R S		N O O F	E X P L O S I O N L E V E L	O F	R E P A R T
				C O D E	P A R T N o.				
1	2	3	4	5		6	7	8	
002769	015	CONNECTING LINK, RIGID, BELL CRANK TO 2ND RELAY	Z0020	ADE(V) 225-29-1		1	X		PB
002770	000	NUT, PLAIN, HEXAGON, UNF 2B, STEEL, FORMED, ZINC COATED, 3/8IN	8Q204	B18-2		1	X		UPB
002771	016	LEVER ASSEMBLY, HAND BRAKE RELAY	Z0020	ADEV225-13		1	X		PB
002772	017	SHAFT, SHOULDERED, MID RELAY	Z0020	ADEV225-17		1	X		PB
002773	018	NUT, PLAIN, HEXAGON, UNF, 2B, STEEL, FORMED, ZINC COATED, 5/8IN	8Q204	B18-2		1	X		UPB
002774	000	WASHER, LOCK SPRING STEEL, SINGLE TURN, RECTANGULAR SECTION, CAD PLATED, 5/8IN BOLT SIZE	Z0745	5-8BOLTD		1	X		UPB
002775	019	CONNECTING LINK, RIGID, RELAY TO COMPENSATOR	Z0020	ADEV225-29/2		1	X		PB
002776	000	NUT, PLAIN, HEXAGON, UNF 2B, STEEL, FORMED, ZINC COATED, 3/8IN	8Q204	B18-2		1	X		UPB
002777	020	CONNECTING LINK, RIGID, BRAKE CYLINDER, RH	Z0020	ADE(V) 225-477-2		1	X		PB
002778	000	NUT, PLAIN, HEXAGON, UNF 2B, STEEL, FORMED, ZINC COATED, 7/16IN	8Q204	B18-2		1	X		UPB
002779	021	PIN, STRAIGHT, HEADED, STEEL, PHOSPHOR FINISH, 3/8IN DIA, 1.218IN LG, 1.062IN LG UNDER HD TC HOLE	Z0009	865197R1		10	X		UPB
002780	022	YOKE ASSEMBLY, HAND BRAKE LINK	Z2813	ADE(V) 94-15-1		1	X		PB
002781	023	BUSHING, SLEEVE, PHOSPHOR BRONZE, 0.929IN. OD BY 0.735IN. ID BY 1.445IN. LG., 3/8IN. HOLE	Z0020	ADE(V) 225-589		1	X		PB
002782	024	WASHER, FLAT, RD, STEEL, ZINC COATED, SMALL, 1/2 IN. BOLT SIZE, 1 IN. OD, 0.092 IN. THK	Z0544	B117		3	X		UPB
002783	025	NUT, SLOTTED, HEXAGON, UNF 2B, STEEL, FORMED, ZINC COATED, 1/2IN	8Q204	B18-2		3	X		UPB
002784	026	FITTING, LUBRICATION, HYDRAULIC TYPE, STEEL, CAD OR ZINC COATED, 1/8 IN. NPTF/EXT	96906	MS15003-1		1	X		UPB
002785	027	LEVER ASSEMBLY, REAR UPPER RELAY	Z0020	ADEV225-24		1	X		PB
002786	028	BRACKET, COMPENSATOR	Z0020	ADEV225-584		1	X		PB

SERIAL	NUMBER	GROUP & ITEM No	DESIGNATION	MANUFACTURERS		NO OF	EXPL CLASS	LEVEL	REPAIR
				CODE	PART No.				
1	2	3	4	5	6	7	8		
002767	029	COMPENSATOR ASSEMBLY, HANDBRAKE	Z0020	ADEV225-587	1	X			FB
002788	000	BUSHING, SLEEVE, PHOSPHOR BRONZE, 0.929IN. OD BY 0.735IN. ID BY 1.445IN. LG., 3/8IN. HOLE	Z0020	ADE(V) 225-589	2	X			FB
002789	030	CONNECTING LINK, RIGID, BRAKE CYLINDER, LH	Z0020	ADE(V) 225-477-1	1	X			FB
002790	000	NUT, PLAIN, HEXAGON, UNF 2B, STEEL, FORMED, ZINC COATED, 3/8IN	80204	B18-2	1	X			UFB
002791	031	BELL CRANK, LOWER RELAY, HANDBRAKE	Z0020	ADE(V) 225-474-1	1	X			FB
002792	032	CONNECTING LINK, RIGID, HANDBRAKE, REAR INNER	Z0020	ADEV225-33	1	X			FB
002793	000	NUT, PLAIN, HEXAGON, UNF 2B, STEEL, FORMED, ZINC COATED, 3/8IN	80204	B18-2	1	X			UFB

GROUP FB

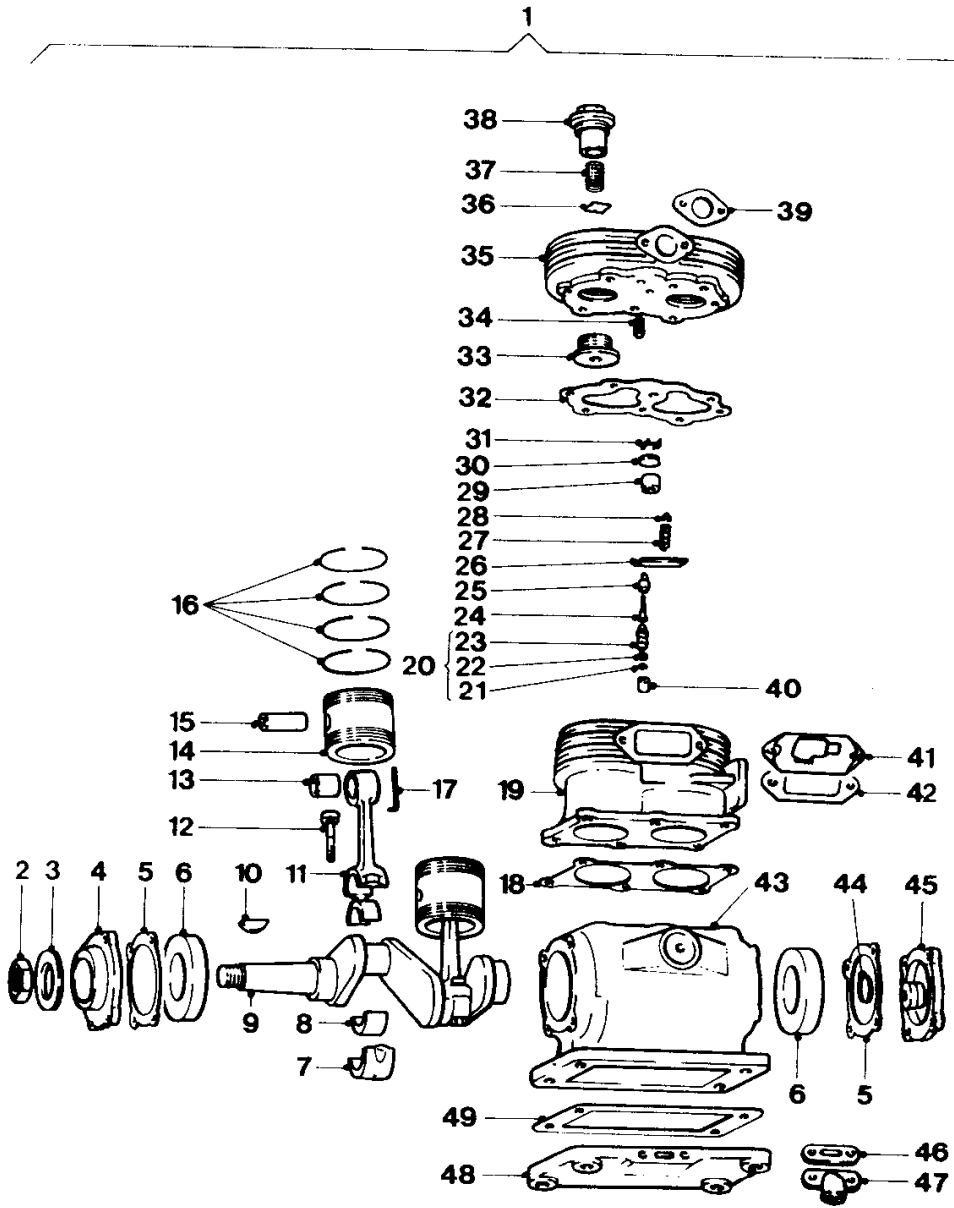
RPS02031



AIR COMPRESSOR MOUNTINGS

S E R I A L	N U M B E R	G R O U P & I T E M N O.	D E S I G N A T I O N	M A N U F A C T U R E R S		N O. O F	F X P C L A S S	L E V E L	O F	R E P A I R
				C O D E	P A R T N O.					
1	2	3	4	5		6	7	8		
002814	FB	AIR COMPRESSOR MOUNTINGS								
002815	001	BOLT, SQUARE NECK, UNF, 2A, SAE GRADE 5 STEEL, CUP HD, ZINC COATED, 7/16IN BY 2-1/4IN	80204	B18-5		4	X			UFB
002816	000	NUT, PLAIN, HEXAGON, UNF 2B, STEEL, FORMED, ZINC COATED, 7/16IN	80204	B18-2		4	X			UFB
002817	000	WASHER, LOCK, SPRING STEEL, SINGLE TURN, RECTANGULAR SECTION, CAD PLATED, 7/16 IN BOLT SIZE	K7766	1802		4	X			UFB
002818	000	WASHER, FLAT, RD, STEEL, ZINC COATED, SMALL, 7/16 IN. BOLT SIZE, 7/8 IN. OD BY 0.092 IN. THK	Z0544	B117		4	X			UFB
002819	002	BRACKET (NOT REQUIRED THIS EQUIPMENT)				1				
002820	000	SCREW (NOT REQUIRED THIS EQUIPMENT)				1				
002821	000	WASHER (NOT REQUIRED THIS EQUIPMENT)				1				
002822	000	NUT, PLAIN, HEXAGON, UNF 2B, STEEL, FORMED, ZINC COATED, 1/2IN	80204	B18-2		2	X			UFB
002823	000	WASHER, LOCK, STEEL, SPRING, SINGLE TURN, RECTANGULAR SECTION, CAD PLATED, 1/2 IN. BOLT SIZE	K7766	1802		2	X			UFB
002824	003	HOSE ASSEMBLY, RUBBER, FEED, AIR COMPRESSOR	Z2813	ADE(V) 225-262		1	X			UFB
002825	004	BELT, V, ENDLESS, RUBBERISED FABRIC, NO. 51B	Z0342	B51		1	X			UFB
002826	005	BRACKET, MOUNTING, AIR COMPRESSOR	Z0020	ADEV225-270		1	X			FB
002827	006	GASKET, ASBESTOS AND COPPER, 3/4 IN. ID BY 1 IN. OD BY 0.094 IN. THK	96906	MS35067-15		1	X			UFB
002828	007	PIN, COTTER SPLIT, MILD STEEL, 1/8IN BY 1-1/2IN LG	K7766	1574		1	X			UFB
002829	008	PULLEY, GROOVE, AIR COMPRESSOR	Z2813	TSE(V) 93-644		1	X			FB
002830	009	AIR COMPRESSOR (REFER GROUP FBA)								
002831	010	CLAMP, HOSE, STEEL, ADJUSTABLE, SCREW ADJ TYPE, ZINC COATED, 7/8 IN. TO 1-1/2 IN.	K0183	AGS605		2	X			UFB

SERIAL	NUMBER	GROUP & ITEM No.	DESIGNATION	MANUFACTURERS		NO OF	EXP CLASS	LEVEL	REPAIR
				CODE	PART No.				
1	2	3	4	5	6	7	8		
002832	011	SETScrew, UNF-2A, STEEL, SQ HD, OVAL POINT, PHOSPHATED, 5/16IN BY 3IN	Z0020	TSE (V) 93-176		2	X	UPB	
002833	000	NUT, PLAIN, HEXAGON, UNF, 2B, STEEL, FORMED, ZINC COATED, 5/16 IN.	Z1272	034-079		1	X	UPB	
002834	012	TUBING, NONMETALLIC, RUBBER, 3/4 IN. ID, 1/8 IN. WALL, 21 IN. LG	Z0009	854632R1		1	X	UPB	
002835	013	CLIP EXTENSION				1			
002836	014	CLAMP, LOOP	12204	120521		1	X	UPB	
002837	015	SCREW, MACHINE, UNF, 2A, SAE GRADE 5 STEEL, HEX HD, ZINC COATED, 1/4IN BY 1/2IN LG	Z1272	030-111		1	X	UPB	
002838	000	NUT, PLAIN, HEXAGON, UNF, 2B, STEEL, FORMED, ZINC COATED, 1/4 IN.	80204	B18-2		1	X	UPB	
002839	000	WASHER, LOCK, SPRING STEEL, SINGLE TURN, RECTANGULAR SECTION, CAD PLATED, 1/4IN BOLT SIZE	K7766	1802		1	X	UPB	
002840	016	BOLT, MACHINE, UNC, 2A, SAE GRADE 5 STEEL, HEX HD, ZINC COATED, 3/8IN BY 1-1/2IN LG	80204	B18-2		4	X	UPB	
002841	000	WASHER, LOCK, SPRING, STEEL, SINGLE TURN, RECTANGULAR SECTION, CAD PLATED, 3/8 IN. BOLT SIZE	K7766	1802		4	X	UPB	
002842	017	TUBE ASSEMBLY				1			
002843	000	TUBE ASSEMBLY, METAL, FEED, ENGINE TO COMPRESSOR	Z0020	ADEV225-799		1	X	FB	
002844	000	NUT, TUBE COUPLING, BRASS, CHROMIUM PLATED, U/W 1/4IN OD TUBE, 7/16IN UNF/F W/45 DEG SEAT	24617	116452		2	X	FB	
002845	018	ADAPTER, STRAIGHT, PIPE TO TUBE, BRASS, 7/32 IN. OD TUBE, 7/16 IN. UNF EXT, 1/2 IN. LG BY 1/8 IN. BSP EXT, 3/8 IN. LG	Z0009	859191R1		1	X	FB	
002846	019	ADAPTER, STRAIGHT, PIPE TO TUBE, BRASS, U/W 3/8IN OD TUBE, THD MALE UNF, 2B, 5/8IN AND MALE, 1/4IN NPTF, 45 DEG SEAT, 1.438IN O/A LG	21450	118750		1	X	FB	
002847	020	HOSE ASSEMBLY, RUBBER, DRAIN, AIR COMPRESSOR	Z0020	ADEV225-261		1	X	UPB	



AIR COMPRESSOR

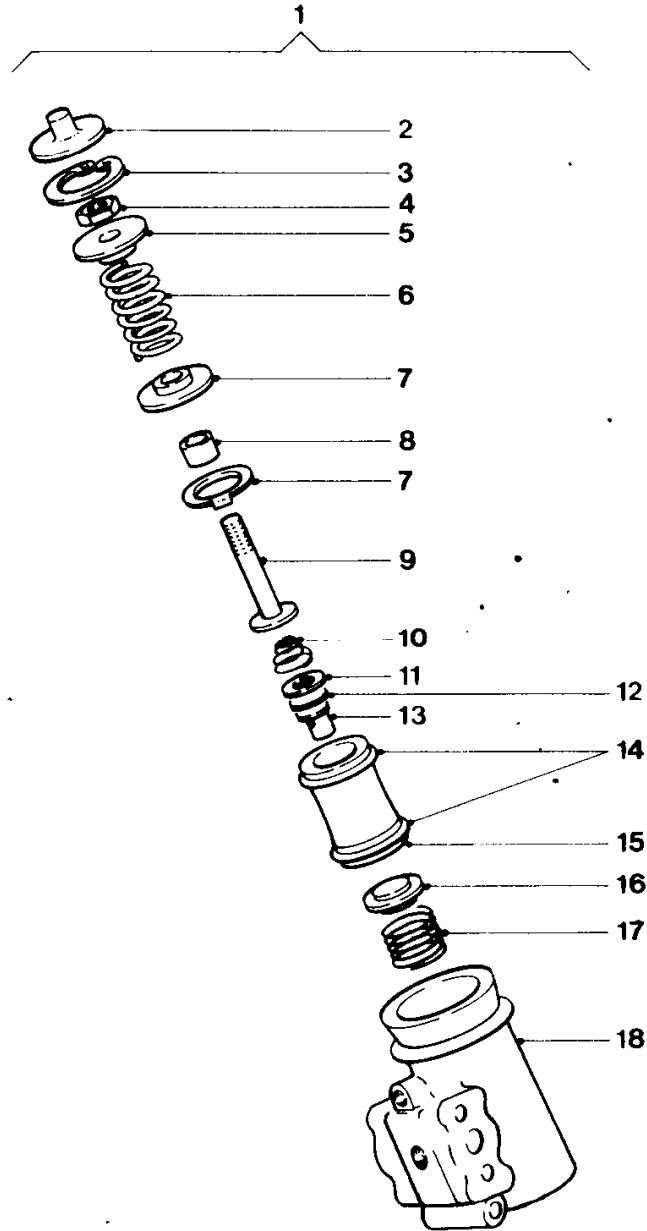
SERIAL	NUMBER	GROUP & ITEM No.	DESIGNATION	MANUFACTURERS		NO.	EXPL. CLASS.	LEVEL	OFF.	REPAIR
				CODE	PART No.					
1	2	3	4	5	6	7	8			
002869	FBA		AIR COMPRESSOR							
002870	001		COMPRESSOR RECIPROCATING POWER DRIVEN AIR BRAKE	06853	272422	1	N			FB
002871	002		NUT, SLOTTED, HEXAGON 3/4IN-20 NEF-3, STEEL, CAD PLATED	04741	203571	1	X			FB
002872	003		SEAL OIL (USE SERIAL 2949)			1				
002873	004		COVER, FRONT END, AIR COMPRESSOR	06853	230526	1	X			B
002874	000		SCREW, MACHINE, UNC, 2A, SAE GRADE 5 STEEL, HEX HD, ZINC COATED, 5/16 IN. BY 7/8 IN. LG	15434	S115	4	X			B
002875	000		WASHER, LOCK, SPRING, STEEL, SINGLE TURN, RECTANGULAR SECTION, CAD PLATED, 5/16 IN. BOLT SIZE	17600	DX252	4	X			B
002876	005		GASKET END COVER (USE SERIAL 2949)			2				
002877	006		BEARING, BALL, ANNULAR	31007	ST204A	2	X			B
002878	007		CAP (NOT SERVICED)							
002879	008		BEARING, SLEEVE, CONNECTING ROD	Z0009	292596R11	2	X			B
002880	000		BEARING HALF, SLEEVE (O/S 0.010IN)	31007	292597R1	2	X			B
002881	000		BEARING HALF, SLEEVE, MULTILAYER MATERIAL, 0.020IN UNDERSIZE	06853	232200	2	X			B
002882	000		BEARING, 0.030 IN. O/S	06853	232201	2	X			B
002883	009		CRANKSHAFT, AIR BRAKE COMPRESSOR	31007	137069R1	1	N			B
002884	010		KEY, WOODRUFF, STEEL, WHITNEY NO. 15, BS NO. 808, 1 IN. BY 1/4 IN. THK	K7766	46PT1	1	X			B
002885	011		CONNECTING ROD, PISTON	06853	223070	2	N			B
002886	012		BOLT, EXTERNALLY RELIEVED BODY, UNF, 2A, STEEL, DEC HEAD, 5/16IN BY 1-15/32IN LONG	5Q513	BB19209	4	X			B
002887	000		NUT, SLOTTED, HEXAGON, UNF, 3B, STEEL, CADPLATED, 5/16 IN.	06840	203021	4	X			B
002888	013		BEARING, SLEEVE, WRIST PIN	19207	7372708	2	X			B
002889	014		PISTON, W/WRIST PIN ASSEMBLY, STD	06853	228221	2	N			B
002890	000		PISTON, WITH WRIST PIN ASSEMBLY, 0.010IN., C/S	06853	228376	2	N			B

SERIAL NUMBER	GROUP & ITEM No.	DESIGNATION	MANUFACTURERS		NO OF	EXP. CLASS	LEVEL	OF REPAIR
			CODE	PART No.				
1	2	3	4	5	6	7	8	
002891	000	PISTON, WITH WRIST PIN ASSEMBLY, 0.020 IN., Q/S	06853	228379	2	N	B	
002892	000	PISTON, WITH WRIST PIN ASSEMBLY, 0.030 IN. O/S	06853	228380	2	N	B	
002893	015	PIN, PISTON, 0.005 IN. O/S	06853	237187	2	X	B	
002894	016	RING SET, PISTON, AIR COMPRESSOR, STD	31007	172074R91	1	X	B	
002895	000	RING SET, PISTON, AIR COMPRESSOR, 0.010 IN. O/S	06853	226722	1	X	B	
002896	300	RING SET, PISTON, AIR COMPRESSOR, 0.020 IN. O/S	31007	185464R91	1	X	B	
002897	000	RING SET, PISTON, AIR COMPRESSOR, 0.030 IN. O/S	31007	185465R91	1	X	B	
002898	017	LOCKWIRE	23862	2338185	2	X	B	
002899	018	GASKET CYLINDER BLOCK (USE SERIAL 2951)			1			
002900	019	CYLINDER, RECIPROCATING COMPRESSOR, C/W BUSHING & SEATS.	06853	227619	1	N	B	
002901	000	BODY CYLINDER BLOCK			1			
002902	000	SCREW, CAP, HEXAGCN HEAD, UNC, 3A, STEEL, CAD PLATED, 3/8 IN BY 7/8 IN	06853	212935	5	X	B	
002903	000	WASHER, LOCK, SPRING, STEEL, SINGLE TURN, RECTANGULAR SECTION, CAD PLATED, 3/8 IN. BOLT SIZE (ALSO PART OF SERIAL 2951)	K7766	1802	6	X	B	
002904	020	PISTON ASSY UNLOADER (USE SERIAL 2950 OR 2951)			2			
002905	021	RING RETAINING (USE SERIAL 2951)			2			
002906	022	GROMMET RUBBER (USE SERIAL 2951)			2			
002907	023	PISTON UNLOADER (USE SERIAL 2951)			2			
002908	024	PLUNGER UNLOADER (USE SERIAL 2950)			2			
002909	025	GUIDE UNLOADER PLUNGER (USE SERIAL 2950 OR 2951)			2			
002910	026	SADDLE UNLOADER SPRING (USE SERIAL 2950)			2			
002911	027	SPRING HELICAL COMPRESSION UNLOADER VALVE (USE SERIAL 2950 OR 2951)			1			

SERIAL	NUMBER	GROUP & ITEM No.	DESIGNATION	MANUFACTURERS		NO OFF	EXP CLASS	LEVEL	OF	PART
				CODE	PART No.					
1	2		3	4	5	6	7		8	
002912	028		SEAT UNLOADER VALVE SERING (USE SERIAL 2950)			1				
002913	029		SEAT, VALVE	06853	236118	2	X		FB	
002914	030		DISC, SOLID, PLAIN, BRAKE ASSEMBLY (ALSO PART OF SERIAL 2950)	06853	236125	2	X		F	
002915	031		GUIDE INLET VALVE (USE SERIAL 2950)			2				
002916	032		GASKET CYLINDER HEAD (USE SERIAL 2949)			1				
002917	033		SEAT, VALVE, DISCHARGE	31007	168674R1	2	X		B	
002918	034		SPRING, HELICAL, COMPRESSION, CHROM-NIUM STEEL, 0.309IN.ID BY 23/64IN.OD BY 29/64IN.LG, 8 COILS	06853	236126	2	X		B	
002919	035		CYLINDER HEAD, COMPRESSOR, COMPLETE INCLUDES SERIALS 2917, 2919, 2925, 2926, 2927	06853	281754	1	N		FB	
002920	000		STUD, PLAIN, FLANGE MOUNTING	06853	235464	2	X		FB	
002921	000		WASHER, LOCK, SPRING, STEEL, SINGLE TURN, RECTANGULAR SECTION, CAD PLATED, 5/16 IN. BOLT SIZE	17600	DX252	3	X		FB	
002922	000		BOLT, MACHINE, UNC, 2A, SAE GRADE 5 STEEL, HEX HD, ZINC COATED, 5/16IN BY 2IN LG	80204	B18-2	3	X		FB	
002923	000		BODY CYLINDER HEAD			1				
002924	000		STOP, VALVE, AIR COMPRESSOR	06853	237608	2	X		B	
002925	036		VALVE, DISCHARGE	35311	SP7251	2	X		B	
002926	037		SPRING HELICAL COMPRESSION AIR BRAKE COMPRESSOR ASSEMBL	97907	2028999	2	X		FB	
002927	038		PLUG, MACHINE THREAD STEEL, 16N-3, 15/64IN.BY 1-13/16IN.LG O/G	97907	2028998	2	X		FB	
002928	039		GASKET ASBESTOS (USE SERIAL 2949)			1				
002929	040		BUSHING, TAPERED, CYLINDER BLOCK	31007	202201R1	2	X		B	
002930	041		ELBOW, INLET FITTING, 3/4IN	06853	237670	1	X		FB	
002931	000		SCREW, MACHINE, UNC, 2A, SAE GRADE 5 STEEL, HEX HD, ZINC COATED, 5/16 IN. BY 7/8 IN. LG	15434	S115	2	X		FB	

SERIAL	NUMBER	GROUP & ITEM No.	DESIGNATION	MANUFACTURERS		NO. OFF.	EXP. CLASS.	LEVEL	REPAIR
				CODE	PART No.				
1	2	3	4	5	6	7	8		
002932	000		WASHER, LOCK, SPRING, STEEL, SINGLE TURN, RECTANGULAR SECTION, CAD PLATED, 5/16 IN. BOLT SIZE	17600	DX252		2	X	FB
002933	042		GASKET STRAINER (USE SERIAL 2949)				1		
002934	043		CRANKCASE				1		
002935	044		SEAL RING, METAL, AIR BRAKE COMPRESSOR CRANKSHAFT (USE SERIAL 2949)				1		
002936	045		PLATE, RETAINING, BEARING, REAR, COMPRESSOR HOUSING	06853	230910		1	X	B
002937	000		WASHER, LOCK, SPRING, STEEL, SINGLE TURN, RECTANGULAR SECTION, CAD PLATED, 5/16 IN. BOLT SIZE	17600	DX252		2	X	B
002938	000		SCREW, MACHINE, UNC, 2A, SAE GRADE 5 STEEL, HEX HD, ZINC COATED, 5/16 IN. BY 7/8 IN. LG	15434	S115		2	X	B
002939	046		GASKET FIBRE (USE SERIAL 2949)				1		
002940	047		PLUG, PIPE, NPTF, STEEL, HEX HD, CAD OR ZINC COATED, 1/8 IN.	06853	232999		1	X	FB
002941	000		PLUG, PIPE, NPTF, STEEL, HEX HD, CAD OR ZINC COATED, 1/8 IN.	06853	232999		1	X	FB
002942	000		SCREW, MACHINE	06853	204134		2	X	FB
002943	000		WASHER, LOCK	06853	202981		2	X	FB
002944	048		BASE, CRANKCASE				1		
002945	000		WASHER, LOCK	06853	202981		5	X	B
002946	000		SCREW, MACHINE	06853	204134		5	X	B
002947	049		GASKET, CRANKCASE BASE (USE SERIAL 2949)				1		
002948	000		GASKET, GOVERNOR TO COMPRESSOR	31007	166562R1		1	X	FB
002949	000		GASKET SET, COMPRESSOR (CONSISTS OF SERIALS 2872, 2876, 2899, 2906, 2916, 2828, 2933, 2935, 2947)	20757	272217		1	X	FB
002950	000		PARTS KIT, COMPRESSOR (CONSISTS OF SERIALS 2904, 2908, 2909, 2910, 2911, 2912 AND 2915)	06853	229416		1	X	B
002951	000		MODIFICATION KIT, AIR COMPRESSOR (CONSISTS OF SERIALS 2903 to 2906, 2909, 2911)	06853	279614		1	X	FB

FOOTNOTE: PAGE 120 INTENTIONALLY NOT INCLUDED IN THIS RPS



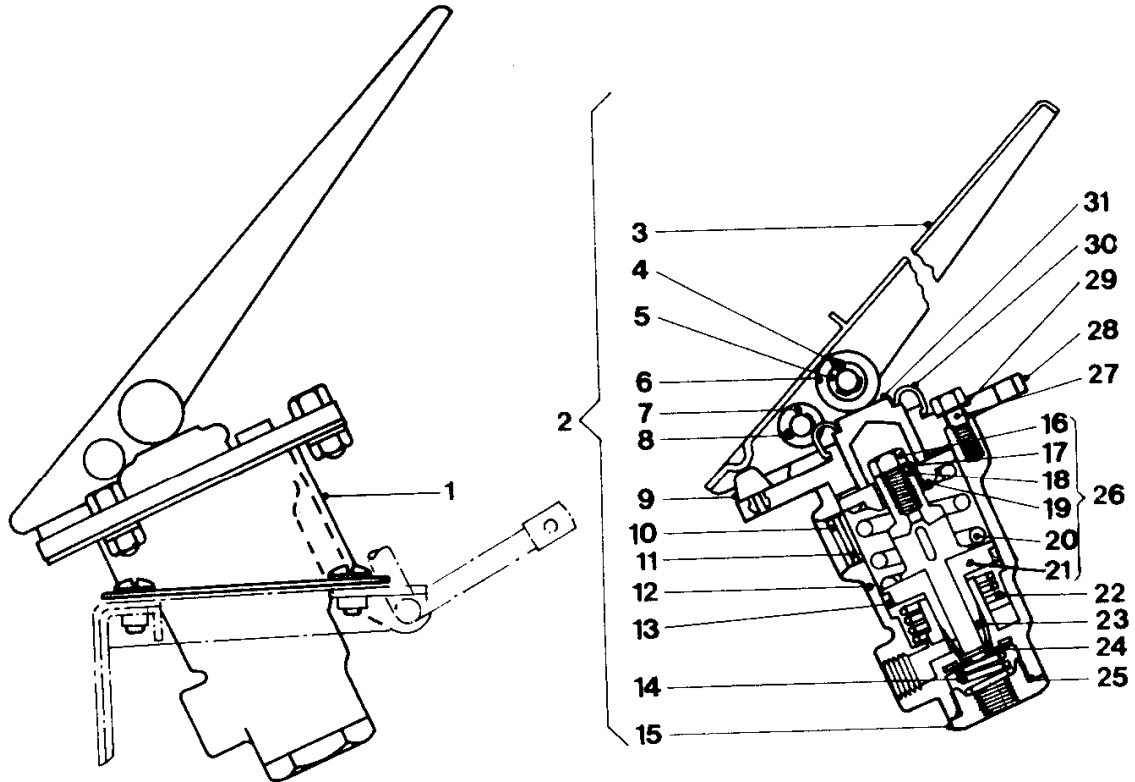
GOVERNOR TYPE D2

SERIAL	NUMBER	GROUP & ITEM No.	DESIGNATION	MANUFACTURERS		NO OF	EXPL CLASS	LEVEL	REPAIR
				CODE	PART No.				
1	2	3	4	5	6	7	8		
C02972	FBB		GOVERNOR TYPE D2						
002973	001		GOVERNOR ASSEMBLY, AIR, BRAKE	06853	275491	1	N	UFB	
002974	002		COVER, ACCESS, GOVERNOR (ALSO PART OF SERIAL 2995)	06853	240347	1	X	F	
C02975	003		CLIP, RETAINING, STEEL, PHOSPHATE FINISH, 1.406IN C/A H 0.343IN W 0.078IN.THK MAT, 1-SHAPED	06853	240345	1	X	PB	
C02976	004		NUT HEX UNC 1/4 IN (USE SERIAL 2982)			1			
002977	005		SEAT, SPRING, UPPER (USE SERIAL 2982)			1			
002978	006		SPRING (USE SERIAL 2982)			1			
C02979	007		SEAT, SPRING, LOWER (USE SERIAL 2982)			1			
C02980	008		GUIDE, SPRING (USE SERIAL 2982)			1			
002981	009		SCREW, ADJUSTING (USE SERIAL 2982)			1			
002982	000		PARTS KIT, GASOLINE ENGINE GOVERNOR, C/O SPRINGS, GUIDES, SEATS, NUT, WASHER AND SCREW ADJUSTING (CONSISTS OF SERIALS 2976 TO 2981)	06853	275202	1	X	PB	
002983	010		SPRING, HELICAL, COMPRESSION	10988	L31531	1	X	PB	
002984	011		WASHER (USE SERIAL 2989)			1			
C02985	012		GROMMET (USE SERIAL 2995)			1			
C02986	013		STEM, EXHAUST	06853	240339	1	X	PB	
C02987	014		PACKING PREFORMED 1-09IN OD (USE SERIAL 2995)			2			
C02988	015		PISTON (USE SERIAL 2989)			1			
002989	000		PISTON ASSEMBLY INCLUDES SERIALS 2984, 2985, 2988	97907	9030279	1	X	PB	
C02990	016		VALVE, EXHAUST AND INLET (USE SERIAL 2995)			1			
C02991	017		SPRING, EXHAUST VALVE (USE SERIAL 2995)			1			
002992	018		BODY			1			
002993	000		FILTER ELEMENT (USE SERIAL 2995)			2			
002994	000		PLUG, PIPE, STEEL, SOLID BODY, HEX SKT DRIVE, CAD PLATED, 0.125IN 27 NPT	06853	233410	4	X	PB	
002995	000		PARTS KIT, GASOLINE ENGINE GOVERNOR (CONSISTS OF SERIALS 2974, 2985, 2987, 2990, 2991, AND 2993)	11083	9M0402	1	X	PB	

FOOTNOTE: PAGE 122 INTENTIONALLY NOT INCLUDED IN THIS RPS

GROUP FC

RPS02031



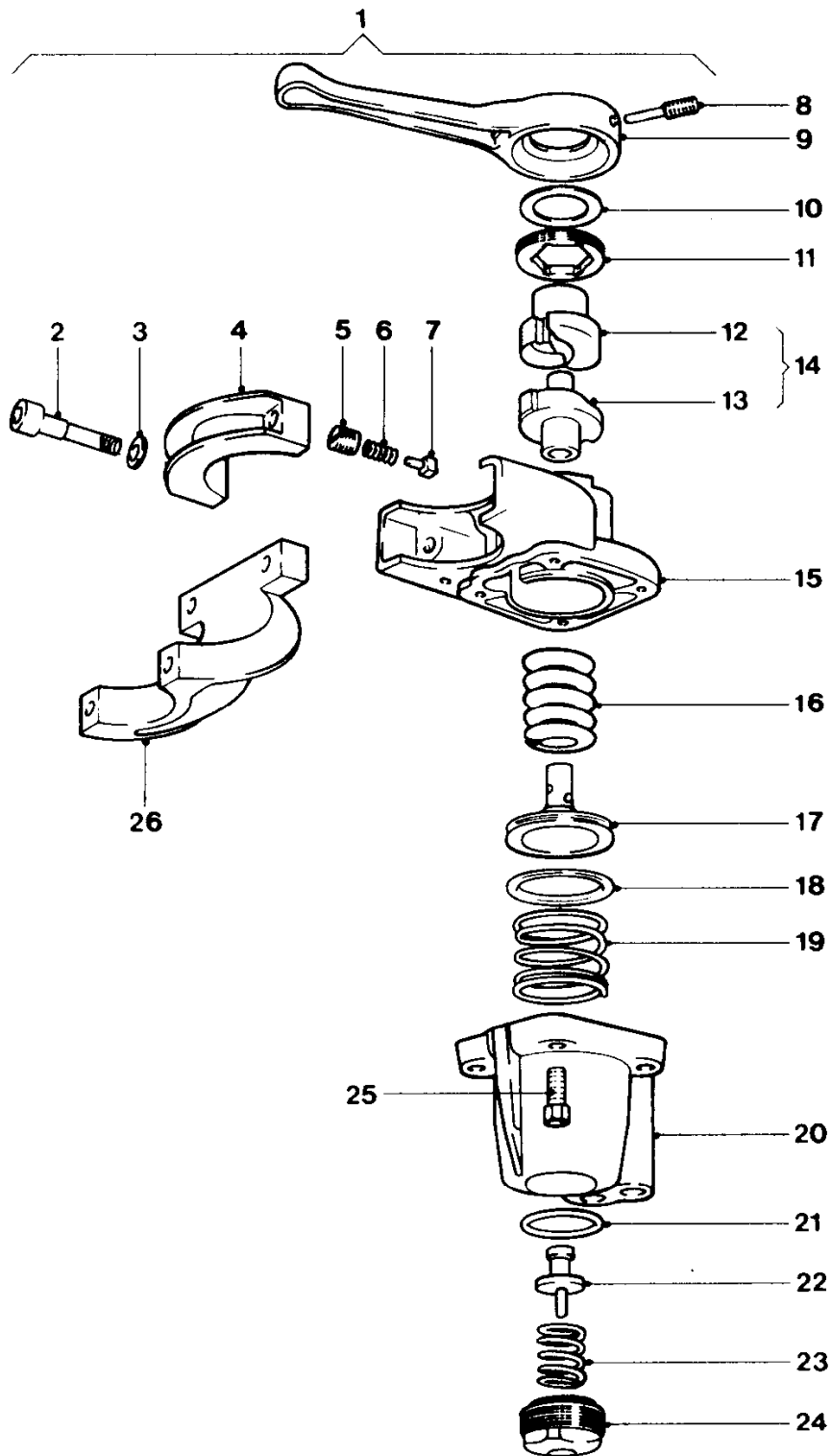
BRAKE TREADLE VALVE AND MOUNTING BRACKET

SERIAL NUMBER	GROUP & ITEM No.	DESIGNATION	MANUFACTURERS		NO OF	EXP. CLASS	LEVEL	REPAIR
			CODE	PART No.				
1	2	3	4	5	6	7	8	
003016	FC	BRAKE TREADLE VALVE AND MOUNTING BRACKET						
003017	001	MOUNTING BRACKET, VALVE ASSEMBLY	Z0020	ADE(V) 94-319	1	X	B	
003018	000	SCREW, MACHINE, UNF, TRUSS HD, 5/16IN BY 3/4IN	31007	433856	2	X	UFB	
003019	000	WASHER, LOCK STEEL, SHAKEPROOF, CAD PLATED, EXTERNAL TYPE 11, 5/16IN BOLT SIZE	Z0088	1118	2	X	UFB	
003020	000	SCREW, MACHINE, UNF, 2A, STEEL, TRUDD HS, 1/4IN BY 1IN LG	31007	272529	2	X	UFB	
003021	000	WASHER, LOCK, STEEL, SHAKE PROOF, CAD PLATED, EXTERNAL TYPE 11, 1/4IN. (NO. 0 BA OR 14UN) BOLT SIZE	Z0327	GES124-6	2	X	UFB	
003022	002	VALVE, FOOT BRAKE ASSEMBLY (CONSISTS OF SERIALS 3022 TO 3051)	06853	225834	1	N	UFB	
003023	000	TREADLE ASSEMBLY	06853	225828	1	X	PB	
003024	003	BODY TREADLE			1			
003025	004	PIN, COTTER SPLIT, MILD STEEL, 3/32IN BY 1/2IN LG	K7766	1574	1	X	UFB	
003026	005	PIN, STRAIGHT, HEADLESS TREADLE ASSEMBLY ROLLER	06853	238478	1	X	PB	
003027	006	ROLLER, LINEAR-ROTARY MOTION	06853	236288	1	X	PB	
003028	007	PIN, TREADLE	06853	238476	1	X	PB	
003029	008	PIN, COTTER SPLIT, MILD STEEL, 3/32IN BY 1/2IN LG	K7766	1574	1	X	UFB	
003030	009	BUMPER, RUBBER	06853	235916	1	X	B	
003031	010	RING, RETAINING BRAKE TREADLE	06853	235832	1	X	PB	
003032	011	SCREEN, filter	06853	235822	1	X	B	
003033	012	BODY, VALVE	ZQ757	235826	1	X	PB	
003034	000	SCREW, MACHINE, UNF, 2A, SAE GRADE 5 STEEL, HEX HD, ZINC COATED, 5/16 IN. BY 1 IN. LG	80204	B18-2-1	3	X	PB	
003035	000	NUT, PLAIN, HEXAGON, UNF, 2B, STEEL, FORMED, ZINC COATED, 5/16 IN.	Z1272	034-079	1	X	B	
003036	000	WASHER, LOCK, SPRING, STEEL, SINGLE TURN, RECTANGULAR SECTION, CAD PLATED, 5/16 IN. BOLT SIZE	17600	DX252	3	X	PB	

S E R I A L	N U M B E R	G R O U P & I T E M N o	D E S I G N A T I O N	M A N U F A C T U R E R S		N O O F	E X P L O S I O N C L A S S	L E V E L	O F	R E P A I R
				C O D E	P A R T N o					
1	2	3	4	5		6	7	8		
003037	013	PACKING PREFORMED BRAKE VALVE PISTON (USE SERIAL 3056)				1				
003038	014	SPRING, INLET VALVE (USE SERIAL 3056)				1				
003039	015	ADAPTOR, BRAKE VALVE	06853	235825		1	X			FB
003040	016	CAPSCREW, brake valve	06853	212122		1	X			FB
003041	017	WASHER, LOCK	06853	235800		1	X			FB
003042	018	WASHER, FLAT	06853	204235		1	X			FB
003043	019	SEAT SPRING				1				
003044	020	SPRING, GRADUATING	06853	235828		1	X			FB
003045	021	PISTON, BRAKE VALVE	06853	235827		1	X			FB
003046	022	SPRING, HELICAL, COMPRESSION, STEEL, RD, 0.098IN SIZE MATERIAL, 2.344IN O/A LG, 1.634IN OD, 1.38IN ID, (PISTON RETURN)	06853	235829		1	X			FB
003047	023	GROMMET 0.691 IN O/D (USE SERIAL 3056)				1				
003048	024	VALVE BRAKE TREADLE	06853	241084		1	X			UP
003049	025	PACKING PREFORMED (USE SERIAL 3056)				1				
003050	026	PISTON AND SPRING ASSEMBLY (INCLUDES SERIALS 3040 TO 3045)	06853	225846		1	X			FB
003051	027	BOLT, SELF-LOCKING, UNC, 3A, STEEL, HEX HD, CAD PLATED, 5/16IN BY 0.750IN LG	06853	202979		1	X			FB
003052	028	PLATE, MOUNTING, BRAKE	06853	235824		1	X			FB
003053	029	WASHER, LOCK, SPRING, STEEL, SINGLE TURN, RECTANGULAR SECTION, CAD PLATED, 5/16 IN. BOLT SIZE	17600	DX252		3	X			UPFB
003054	030	BOOT				1				
003055	031	PLUNGER, BRAKE VALVE	06853	235814		1	X			FB
003056	000	PART KIT, BRAKE VALVE (CONSISTS OF SERIALS 3037, 3038, 3047, 3048, 3049, 3054)	06853	229423		1	X			FB

GROUP FD

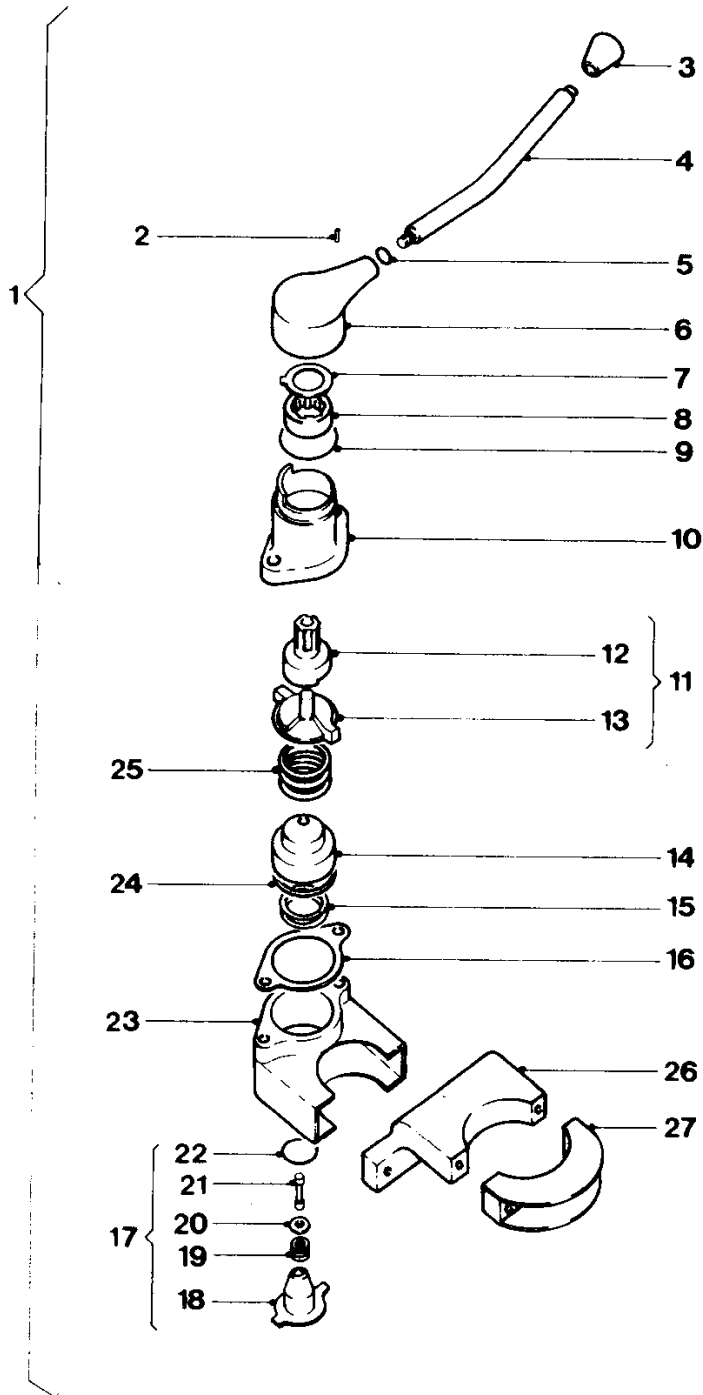
RPS02031



HAND CONTROL VALVE EARLY TYPE

S E R I A L	N U M B E R	G R O U P & H I E M N O	D E S I G N A T I O N	M A N U F A C T U R E R S		N O O F	E X P L O S I V E	L E V E L O F	R E P A I R
				C O D E	P A R T N O				
1	2	3	4	5	6	7	8		
003096	FD	HAND CONTROL VALVE EARLY TYPE							
003097	001	VALVE ASSEMBLY, HAND CONTROL	06853	223917		1	N	UPB	
003098	002	BOLT, MOUNTING CLAMP	06853	236747		2	X	UPB	
003099	003	WASHER, LOCK, SPRING, STEEL, SINGLE TURN, RECTANGULAR SECTION, CAD PLATED, 3/8 IN. BOLT SIZE	K7766	1802		2	X	UPB	
003100	004	CLAMP, MOUNTING	06853	233867		1	X	B	
003101	005	PLUG, MACHINE THREAD ERASS, UNF-3A 1/2IN.-20 BY 7/16IN. LG	5Q513	1961M5		1	X	PB	
003102	006	SPRING, PLUNGER	K1631	203459		1	X	PB	
003103	007	PLUNGER, POPPET VALVE	31007	180041R1		1	X	PB	
003104	008	SETSCREW, UNC, STEEL, HEADLESS, SOCKET DRIVE, NON-STANDARD POINT, CADMIUM PLATED, 5/16 IN. BY 1-1/2 IN. LG	06853	233432		1	X	UPB	
003105	009	HANDLE CONTROL VALVE				1			
003106	010	WASHER, KEY, STEEL, 1.128 IN. ID BY 1.620 IN. OD BY 0039 IN. THK #/3 INT PREBENT AND 1 EXT KEY	06853	233996		1	X	PB	
003107	011	RING, ADJUSTING, HAND CONTROL VALVE NUT	06853	234002		1	X	PB	
003108	012	GUIDE (NOT SERVICED)							
003109	013	CAM (NOT SERVICED)							
003110	014	FOLLOWER, W/CAM	29510	140396		1	X	B	
003111	015	COVER (NOT SERVICED)							
003112	016	SPRING, HELICAL, COMPRESSION, GRADUATING, 5 TO 85 LBS	06853	232695		1	X	PB	
003113	017	PISTON VALVE	06853	234200		1	X	PB	
003114	018	PACKING PREFORMED, BRAKE VALVE PISTON (USE SERIAL 3125)				1			
003115	019	SPRING PISTON RETURN (USE SERIAL 3125)				1			
003116	020	BODY VALVE (NOT SERVICED)							
003117	021	PACKING PREFORMED (USE SERIAL 3125)				1			
003118	022	VALVE, INLET AND EXHAUST ASSEMBLY (USE SERIAL 3125)				1			

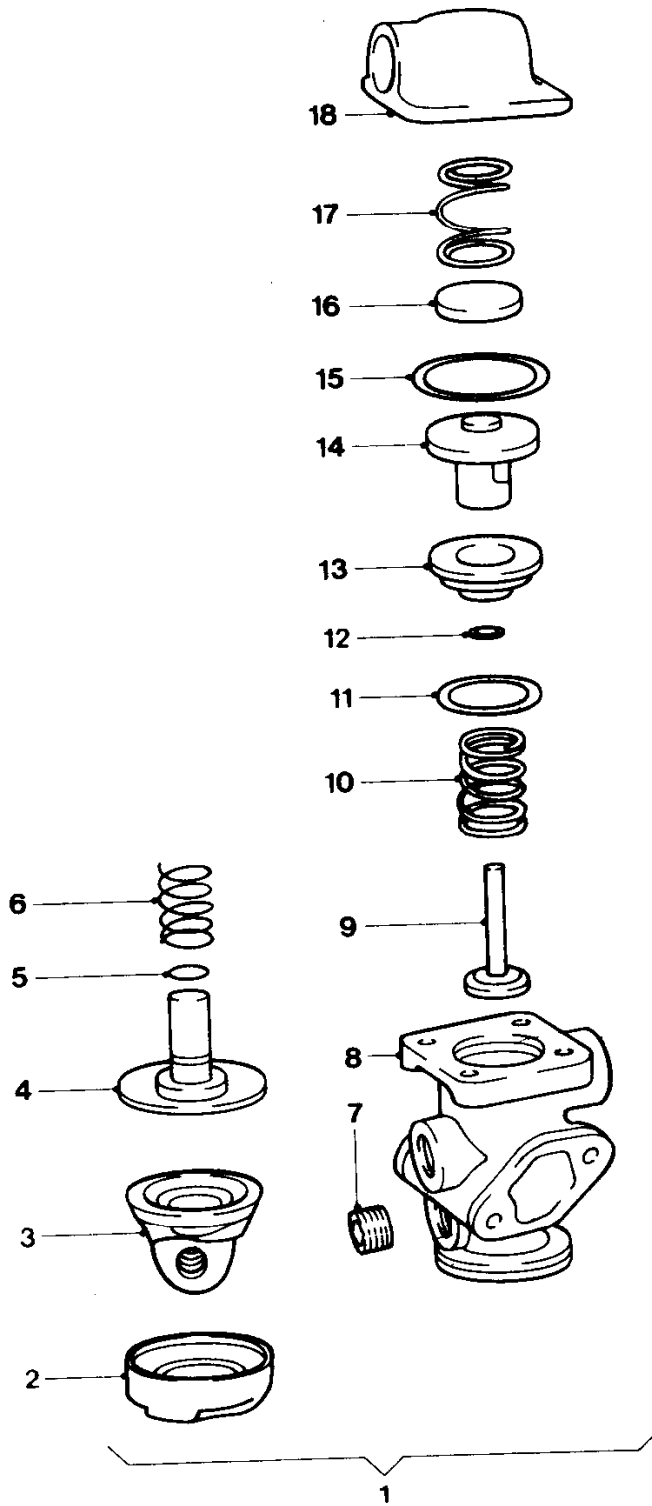
S E R I A L	N U M B E R	G R O U P & I T E M N o.	D E S I G N A T I O N	M A N U F A C T U R E R S		N O O F	E X P L O S I V E	R E V I S I O N	P R I O R I T Y
				C O D E	P A R T N o.				
1	2	3	4	5	6	7	8		
003119	023		SPRING VALVE (USE SERIAL 3125)			1			
003120	024		ADAPTER BUSHING, BRAKE VALVE SUPPLY LINE	31007	179923R1	1	X		B
003121	025		SCREW, MACHINE, UNC, 2A, STEEL, FILLISTER HD. 5/16 IN. BY 1 IN.	31007	153994	4	X		PB
003122	026		BRACKET, HAND VALVE MOUNTING	Z2813	ADE(V) 225-702	1	X		B
003123	000		BOLT, MACHINE, UNC, 2A, SAE GRADE 5 STEEL, HEX HD, ZINC COATED, 3/8IN BY 1-1/2IN LG	80204	B18-2	2	X		UFB
003124	000		WASHER, LOCK, SPRING, STEEL, SINGLE TURN, RECTANGULAR SECTION, CAD PLATED, 3/8 IN. BOLT SIZE	K7766	1802	2	X		UFB
003125	000		REPAIR KIT, HANDVALVE CONTROL (CONSISTS OF SERIALS 3114, 3115, 3117 TO 3119)	Z0151	229424	1	X		PB



HAND CONTROL VALVE LATE TYPE

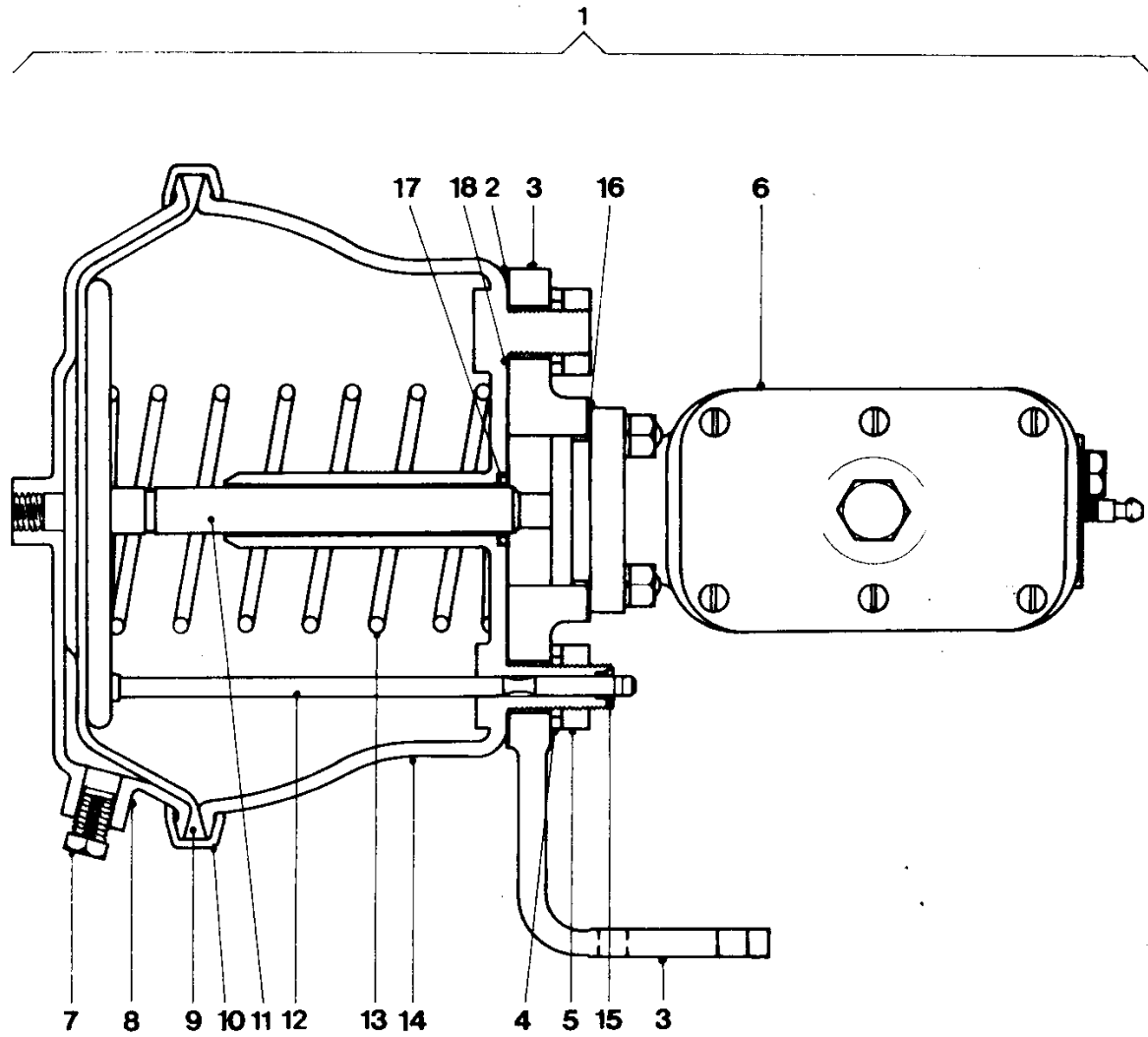
S E R I A L	N U M B E R	G R O U P & I T E M N O.	D E S I G N A T I O N	M A N U F A C T U R E R S		N O O F	E X P L O S I O N	L E V E L	R E V I S I O N
				C O D E	P A R T N O.				
1	2	3	4	5	6	7	8		
003146	FDA	HAND CONTROL VALVE LATER TYPE							
003147	001	VALVE ASSEMBLY, HAND CONTROL	06853	272470		1	N	UPB	
003148	000	WASHER, LOCK, SPRING, STEEL, SINGLE TURN, RECTANGULAR SECTION, CAD PLATED, 3/8 IN. BOLT SIZE	K7766	1802		2	X	UPB	
003149	000	BOLT, INTERNAL WRENCHING, UNC, 2A, STEEL, KNURLED HD, HEX SOCKET DRIVE, 3/8IN BY 1-5/8IN LG	97907	9030495		2	X	UPB	
003150	002	PIN, SPRING	06853	241556		1	X	UPB	
003151	003	KNOB	06853	240297		1	X	UPB	
003152	004	HANDLE CONTROL VALVE.	06853	272471		1	X	UPB	
003153	005	PACKING PREFORMED (USE SERIAL 3183)				1			
003154	006	HEAD, VALVE BODY				1			
003155	007	WASHER, KEY	06853	239911		1	X	B	
003156	008	RING ADJUSTING HAND CONTROL VALVE NUT	06853	239910		1	X	PB	
003157	009	PACKING PREFORMED (USE SERIAL 3183)				1			
003158	010	COVER (NOT SERVICED)							
003159	011	CAM AND FOLLOWER (CONSIST OF SERIALS 3160 AND 3161)	06853	277587		1	X	PB	
003160	012	CAM FOLLOWER (NOT SERVICED SEPARATELY)				1			
003161	0	CAM (NOT SERVICED SEPARATELY)				1			
003162	014	PISTON HAND CONTROL VALVE	06853	239905		1	X	PB	
003163	015	SPRING, HELICAL COMPRESSION (USE SERIAL 3183)				1			
003164	016	GASKET (USE SERIAL 3183)				1			
003165	017	VALVE ASSEMBLY, INLET AND EXHAUST, RUBBER INTAKE SUPPLY	06853	283732		1	X	PB	
003166	000	SCREW, MACHINE, UNC, 2A, STEEL, CAD PLATED, 1/4 BY 0.454IN.LG	06853	239903		2	X	PB	
003167	000	WASHER, INTAKE VALVE, CONTROL ASSEMBLY	06853	239383		2	X	PB	
003168	018	CONTROL VALVE INLET SEAT	06853	239899		1	X	PB	
003169	019	SPRING (USE SERIAL 3183)				1			

S E R I A L	N U M B E R	G R O U P & I T E M N O.	D E S I G N A T I O N	M A N U F A C T U R E R S		N O O F	E X P L O S I O N	L E V E L	C O F	R E P A I R
				C O D E	P A R T N O.					
1	2	3	4	5	6	7	8	9		
003170	020	SEAT, INLET AND EXHAUST VALVE (USE SERIAL 3183)				2				
003171	021	STEM (USE SERIAL 3183)				1				
003172	022	"O" RING 1 IN OD (USE SERIAL 3183)				1				
003173	023	BODY VALVE				1				
003174	000	SCREW	06853	241691		2	X			PB
003175	024	PACKING PREFORMED (USE SERIAL 3183)								
003176	025	SPRING, HELICAL, COMPRESSION GRADUATING	06853	239909		1	X			PB
003177	026	BRACKET, HAND VALVE MOUNTING	Z2813	ADE(V) 225-702		1	X			PB
003178	000	WASHER, LOCK, SPRING, STEEL, SINGLE TURN, RECTANGULAR SECTION, CAD PLATED, 3/8 IN. BOLT SIZE	K7766	1802		2	X			UPB
003179	000	BOLT, MACHINE, UNC, 2A, SAE GRADE 5 STEEL, HEX HD, ZINC COATED, 3/8IN BY 1-3/4IN LG	80204	B18-2		2	X			UPB
003180	027	CLAMP, MOUNTING	06853	233867		1	X			PB
003181	000	WASHER, LOCK, SPRING, STEEL, SINGLE TURN, RECTANGULAR SECTION, CAD PLATED, 3/8 IN. BOLT SIZE	K7766	1802		2	X			UPB
003182	000	BOLT, INTERNAL WRENCHING, UNC, 2A, STEEL, KNURLED HD, HEX SOCKET DRIVE, 3/8IN BY 1-5/8IN LG	97907	9030495		2	X			UPB
003183	000	PARTS KIT, BRAKE VALVE (CONSISTS OF SERIALS 3153, 3157, 3163, 3164, 3169 TO 3172, 3175)	06853	276122		1	X			PB



TRACTOR PROTECTION VALVE

S E R I A L	N U M B E R	G R O U P & I T E M N O.	D E S I G N A T I O N	M A N U F A C T U R E R S		N O O F 7	E X P. C L A S S	L E V E L	O F	R E P A I R
				C O D E	P A R T N O.					
1	2	3	4	5		6	7	8		
003194	FE	TRACTOR PROTECTION VALVE								
003195	001	VALVE ASSEMBLY, TRACTOR PROTECTION	31007	176826R91		1	N			UPB
003196	002	NUT CAP				1				
003197	003	CAP BODY				1				
003198	004	PLUNGER EXHAUST VALVE ASSEMBLY (USE SERIAL 3216)				1				
003199	005	GROMMET, PLUNGER (USE SERIAL 3216)				1				
003200	006	SPRING HELICAL COMPRESSION (USE SERIAL 3216)				1				
003201	007	PLUG RESTRICTOR				1				
003202	008	BODY (NOT SERVICE)								
003203	000	BOLT, MACHINE, UNF, 2A, SAE GRADE 5 STEEL, HEX HD, ZINC COATED, 5/16IN BY 3-1/4IN LG	8Q204	B18-2		2	X			PB
003204	000	NUT, PLAIN, HEXAGON, UNF, 2B, STEEL, FORMED, ZINC COATED, 5/16 IN.	Z1272	034-079		2	X			PB
003205	009	VALVE, SERVICE AND EXHAUST (USE SERIAL 3216)				1				
003206	010	SPRING VALVE (USE SERIAL 3216)				1				
003207	011	PACKING PREFORMED (USE SERIAL 3216)				1				
003208	012	PACKING PREFORMED (USE SERIAL 3216)				1				
003209	013	GUIDE VALVE (USE SERIAL 3216)				1				
003210	014	SEAT, SERVICE VALVE	06853	237835		1	X			PB
003211	015	PACKING PREFORMED (USE SERIAL 3216)				1				
003212	016	DISC VALVE (USE SERIAL 3216)				1				
003213	017	SPRING, SERVICE VALVE (USE SERIAL 3216)				1				
003214	018	COVER, TRACTOR PROTECTION VALVE, BRAKES	06853	237744		1	X			PB
003215	000	SCREW, MACHINE, UNC, 2A, SAE GRADE 5 STEEL, HEX HD, ZINC COATED, 5/16IN BY 3/4 N LG	8Q204	B18-2		4	X			UPB
003216	000	PARTS KIT, AIR BRAKE ALCOHOL EVAPORATOR (CONSISTS OF SERIALS 3198 TO 3200, 3205 TO 3209, 3211 TO 3213)	K7436	SK2613-1		1	X			PB
003217	000	VALVE ASSEMBLY, TRACTOR PROTECTION (THIS VALVE HAS NO REPAIR KIT AND COMES C/W FITTINGS ADAPTOR STR. 3/8 IN. BY 1/2 IN. P/N 5X1012-6-8 QTY 1 ELBOW 3/8 IN. BY 3/8 IN. P/N 5X1095-6-6 QTY 2 AND ADAPTOR STR. 3/4 IN. BY 3/8 IN. P/N 5X1101-8-6B QTY 2.)	ZB438	MRKN34040-FITT		1	X			UPB



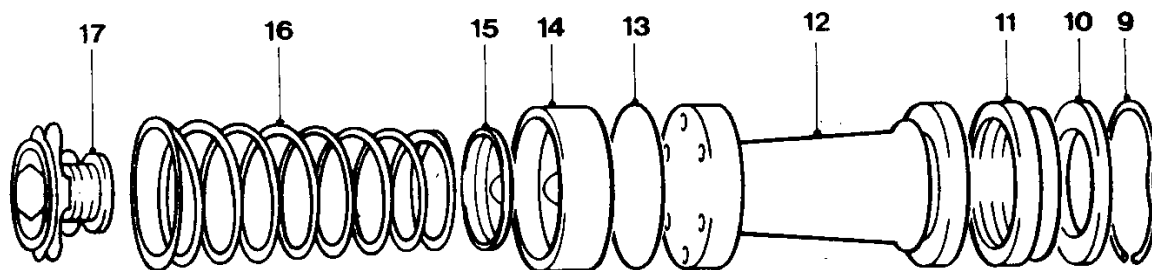
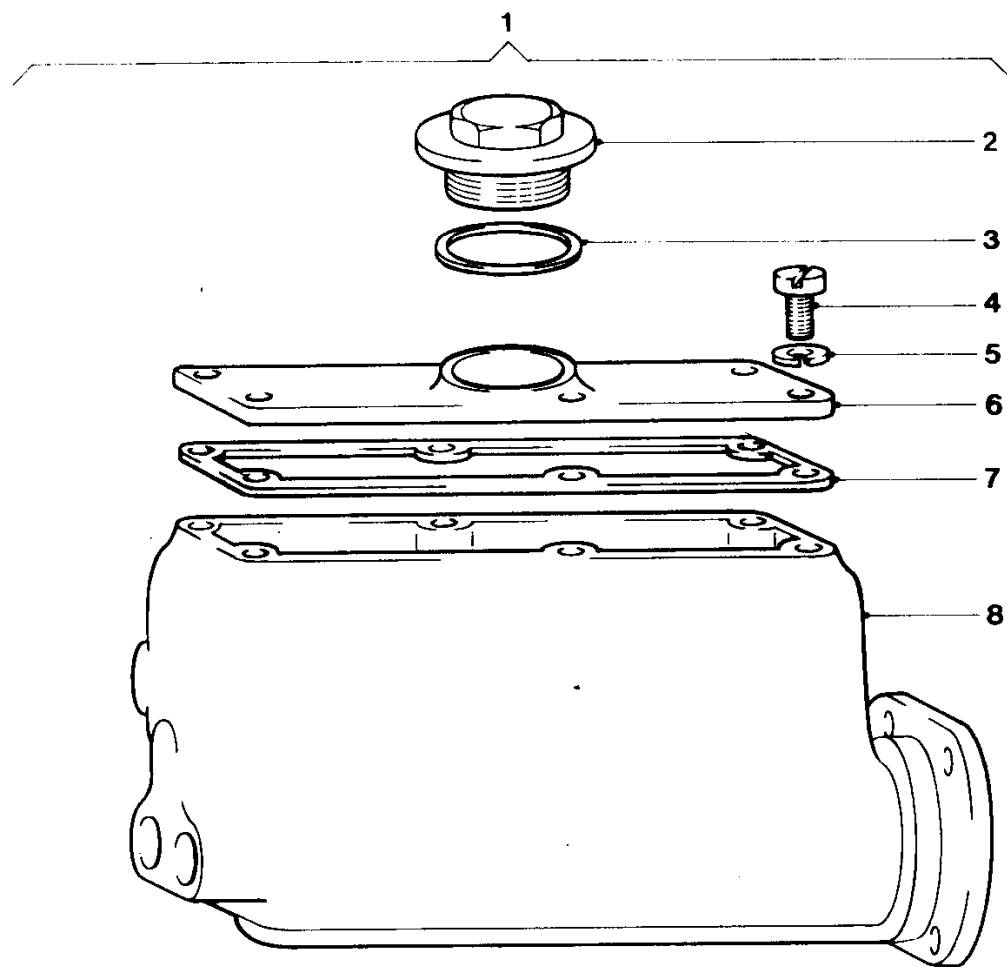
ACTUATOR AIR HYDRAULIC

SERIAL	NUMBER	GROUP & ITEM No.	DESIGNATION	MANUFACTURERS		NO OF	FXPC LASS	LEVEL	OFF	PPAIR
				CODE	PART No.					
1	2	3	4	5	6	7	8			
003237	FF		ACTUATOR AIR HYDRAULIC							
003238	001		ACTUATOR C/W MASTER CYLINDER AND MOUNTING BRACKETS	Z2813	ADE(V) 94-501	1	N			UFB
003239	002		SHIM, ACTUATOR, AIR HYDRAULIC	Z0757	235256	1	X			UFB
003240	003		BRACKET, MOUNTING ASSEMBLY, C/W 3 STUDS & NUTS	06853	272058	1	X			PB
003241	000		STUD, PLAIN, 3/8 IN UNF	06853	232078	2	X			PB
003242	000		WASHER, LOCK, SPRING, STEEL, SINGLE TURN, RECTANGULAR SECTION, CAD PLATED, 3/8 IN. BOLT SIZE	K7766	1802	2	X			PB
003243	000		NUT, PLAIN, HEXAGON, UNF 2B, STEEL, FORMED, ZINC COATED, 3/8IN	80204	B18-2	2	X			PB
003244	000		STUD, PLAIN, UNC, STEEL, CAD PLATED, BOTH ENDS 7/16 IN.-14 THD, 1.562 IN. LG O/A	06853	237434	1	X			PB
003245	000		WASHER, LOCK, SPRING STEEL, SINGLE TURN, RECTANGULAR SECTION, CAD PLATED, 7/16 IN BOLT SIZE	K7766	1802	1	X			PB
003246	000		NUT, PLAIN, HEXAGON, UNC 2B STEEL, FORMED, ZINC COATED, 7/16IN	80204	B18-2	1	X			PB
003247	004		WASHER, LOCK SPRING STEEL, SINGLE TURN, RECTANGULAR SECTION, CAD PLATED, 5/8IN BOLT SIZE	Z0745	5-8BOLTD	2	X			UFB
003248	005		NUT, PLAIN, HEXAGON, UNF, 2B, STEEL, FORMED, ZINC COATED, 5/8IN	80204	B18-2	2	X			UFB
003249	000		PLUG, PIPE, NPTF, STEEL, HEX HD, CAD OR ZINC COATED, 1/8 IN.	06853	232999	1	X			UFB
003250	000		ELBOW, BREATHER	Z2793	272211	1	X			UFB
003251	006		CYLINDER ASSY HYDRAULIC MASTER (REFER GROUP PFA)							
003252	007		PLUG, PIPE, BRASS, HEX HD, 1/4IN NPT/M	41947	A249	1	X			PB
003253	008		PLATE, PRESSURE	31007	172862R91	1	X			B
003254	009		DIAPHRAGM, CHAMBER, BEAKE	06853	234362	1	X			PB
003255	010		CLAMP, RING, COMPLETE	31007	172860R91	1	X			B
003256	000		BOLT, MACHINE, UNF, 3A, STEEL, DOUBLE HEX HD W/EXTENDED WASHER, CAD PLATED, 5/16IN BY 1-1/2IN MAX LG	06853	237886	1	X			PB

SERIAL NUMBER	GROUP & ITEM No.	DESIGNATION	MANUFACTURERS		NO. OF	EXPL. CLASS	REVISION
			CODE	PART No.			
1	2	3	4	5	6	7	8
003257	000	NUT, PLAIN, HEXAGON, UNF 2B, STEEL, CAD PLATED, 5/16IN, 1/2IN W A/F BY 11/16IN H	06853	237687	1	X	FB
003258	011	ROD, PUSH	Z2793	272054	1	X	FB
003259	012	INDICATOR, STROKE	Z2793	272192	1	X	FB
003260	013	SPRING, HELICAL, COMPRESSION STEEL, RD, 0.200 IN DIA MATERIAL, 8.781 IN O/A LG, 3.328 IN OD, 2.928 IN ID	06853	234365	1	X	FB
003261	014	PLATE, NON PRESSURE			1		
003262	015	PACKING, PREFORMED, SYNTHETIC RUBBER, AIR BRAKE COMPRESSOR, 1/4IN ID BY 3/8IN OD BY 1/16IN O/A H	23382	6B230392	1	X	FB
003263	000	CHAMBER, AIR BRAKE (CONSISTS OF SERIALS 3253 TO 3262)	06853	272309	1	N	FB
003264	016	GASKET, ACTUATOR, AIR HYDRAULIC	Z0757	272311	1	X	FB
003265	017	PACKING, PREFORMED, SYNTHETIC RUBBER, 5/8 IN. NOM ID, 1/8 IN. NOM H	06853	235768	1	X	FB
003266	018	SHIM, ACTUATOR, AIR HYDRAULIC	Z0757	272310	1	X	FB

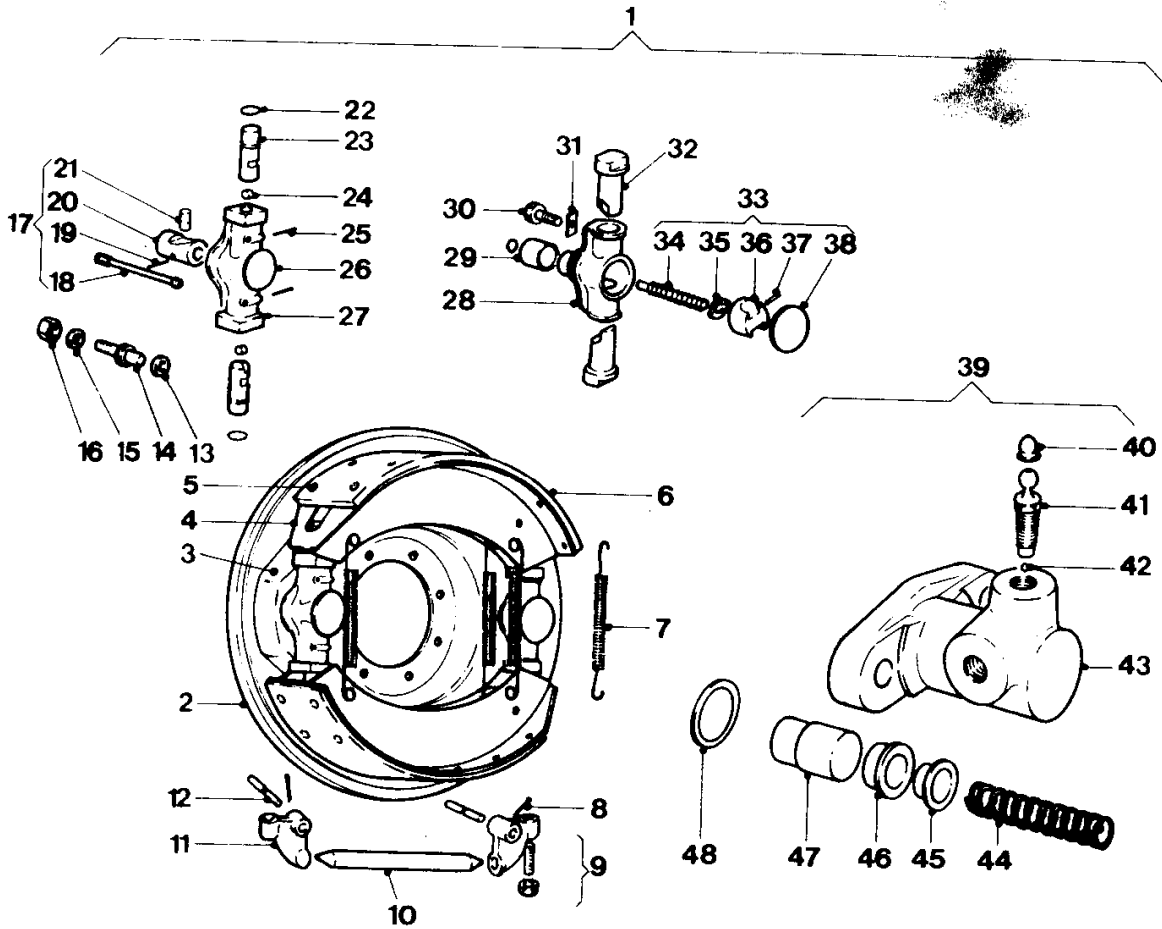
GROUP FFA

RPS02031



MASTER CYLINDER

SERIAL	NUMBER	GROUP & ITEM No.	DESIGNATION	MANUFACTURERS		NO OF	EXP. CLASS	LEVEL	QTY	REMARKS
				CODE	PART No.					
1	2	3	4	5	6	7	8	9	10	
003287	PFA		MASTER CYLINDER							
003288	001		CYLINDER ASSEMBLY, HYDRAULIC BRAKE, MASTER	06853	272097	1	N	UPB		
003289	002		PLUG, FILLER	Z0757	C50175	1	X	UPB		
003290	003		GASKET	Z0757	C50171	1	X	UPB		
003291	004		SCREW, FIXING, MASTER CYLINDER	Z0757	C50170	6	X	UPB		
003292	005		WASHER, LOCK	Z0757	C50-169	6	X	UPB		
003293	006		COVER, TANK	Z0757	C50172	1	X	FB		
003294	007		GASKET, TANK COVER	Z0757	C50173	1	X	UPB		
003295	008		CYLINDER, BARREL AND TANK			1				
003296	009		RING, RETAINING MASTER CYLINDER BARREL	06853	C50-168	1	X	FB		
003297	010		WASHER PLAT			1				
003298	011		CUP SECONDARY (USE SERIAL 3306)			1				
003299	012		PISTON, HYDRAULIC BRAKE, MASTER CYLINDER, COMPLETE WITH SECONDARY CUP	Z0757	C50-160	1	X	FB		
003300	013		WASHER PISTON (USE SERIAL 3306)			1				
003301	014		CUP MASTER CYLINDER (USE SERIAL 3306)			1				
003302	015		RETAINER, SPRING			1				
003303	016		SPRING, HELICAL, COMPRESSION, MASTER CYLINDER	Z0757	C50165	1	X	FB		
003304	017		VALVE ASSEMBLY (USE SERIAL 3306)			1				
003305	000		BLEEDER VALVE, HYDRAULIC BRAKE	Z0757	C50174	1	X	UPB		
003306	000		PARTS KIT, HYDRAULIC BRAKE MASTER CYLINDER ASSEMBLY (CONSISTS OF SERIALS 3298, 3300, 3301, 3304)	Z0757	C50209	1	X	FB		

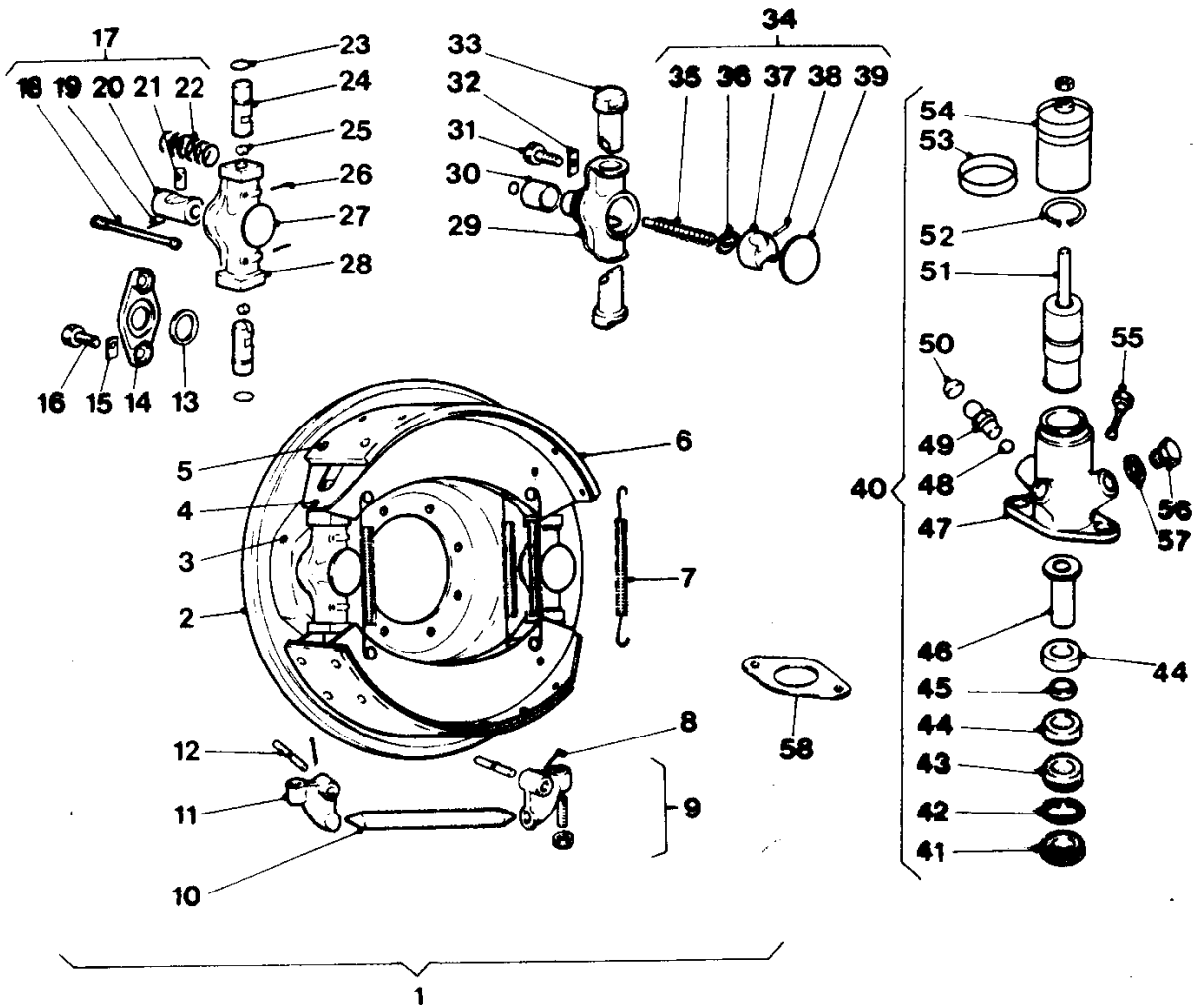


BRAKES FRONT AXLE

SERIAL	NUMBER	GROUP & ITEM No.	DESIGNATION	MANUFACTURERS		NO OF	EXPL CLASS	REPAIR
				CODE	PART No.			
1	2	3	4	5	6	7	8	
003327	PGA	BRAKES FRONT AXLE						
003328	001	BRAKE, SHOE TYPE, FRONT LEFT (GIRLING 15-1/4IN BY 4-1/4IN 2LS W/WHEEL CYLINDER AND SHOES MOUNTED)		Z2822	B660-006	1	N	B
003329	000	BRAKE, SHOE TYPE, FRONT, RIGHT (GIRLING 15-1/4 IN BY 4-1/4 IN. 2LS W/WHEEL CYLINDER AND SHOES MOUNTED)		Z2822	B6660-005	1	N	B
003330	002	COVER, DUST, FRONT AND REAR		U0026	64270024	4	X	FB
003331	000	SCREW, MACHINE, UNF, 2A, SAE GRADE 5 STEEL, HEX HD, ZINC COATED, 1/4IN BY 1/2IN LG		Z1272	030-111	12	X	UFB
003332	000	WASHER, LOCK, SPRING STEEL, SINGLE TURN, RECTANGULAR SECTION, CAD PLATED, 1/4IN BOLT SIZE		K7766	1802	12	X	UFB
003333	003	PLATE, TORQUE		U0026	62270635	2	X	B
003334	004	BRAKE SHOE, INTERNALLY ACTUATED, W/LINING, FRONT OR REAR		U0026	64377304DA <i>2 Shoes = 1 Set</i>	4	N	UFB
003335	000	BRAKE LINING KIT, CONSISTS OF 4 LININGS WITH 54 RIVETS (CONSISTS OF SERIALS 3336, 3337)		U0026	SP1359	1	X	FB
003336	005	RIVET TUBULAR BRAKE LINING				54		
003337	006	LININGS FRICTION FRONT AND REAR				4		
003338	007	SPRING, HELICAL, EXTENSION, SHOE RETURN		U0026	GB41817	8	X	UFB
003339	008	PIN, COTTER SPLIT, MILD STEEL, 1/8IN BY 1-1/2IN LG		K7766	1574	4	X	UFB
003340	009	BELL CRANK ASSEMBLY, ADJUSTING (INCLUDES SCREW AND LOCKNUT).		U0026	GB45448	2	X	UFB
003341	010	PUSH ROD BRAKE SHOE		U0026	GB41204	2	X	UFB
003342	011	BELL CRANK, PLAIN SHOE OPERATING		U0759	47W738	2	X	UFB
003343	012	PIN, GROOVE, HEADLESS		U1725	16L50031	4	X	UFB
003344	013	WASHER, LOCK STEEL, SHAKEPROOF, CAD PLATED, INTERNAL TYPE 12, 1/2IN BOLT SIZE		U0026	74340	2	X	UFB
003345	014	STUD, SHOULDERED, WHEEL CYLINDER		U0026	64270680	2	X	UFB

SERIAL	NUMBER	GROUP & ITEM No.	DESIGNATION	MANUFACTURERS		NO OF	EXPIRE CLASS	LEVEL	REPAIR
				CODE	PART No.				
1	2	3	4	5	6	7	8		
003346	015	WASHER, LOCK, SPRING, STEEL, SINGLE TURN, RECTANGULAR SECTION, CAD PLATED, 3/8 IN. BOLT SIZE	K7766	1802	2	X		UFB	
003347	016	NUT, PLAIN, HEXAGON, UNF 2B, STEEL, FORMED, ZINC COATED, 3/8IN	80204	B18-2	2	X		UFB	
003348	017	PLUNGER ASSEMBLY (CONSISTS OF SERIALS 3349 TO 3352)	U0026	64276970	2	X		UFB	
003349	018	DRAW LINK (USE SERIAL 3348)							
003350	019	MILLS PIN (USE SERIAL 3348)							
003351	020	PLUNGER (USE SERIAL 3348)							
003352	021	WEDGE (USE SERIAL 3348)							
003353	022	RING, SEALING, EXPANDER HOUSING TAPPET	U0026	64270305	4	X		FB	
003354	023	TAPPET, EXPANDER HOUSING	U0026	64271023	4	X		FB	
003355	024	ROLLER, BRAKE EXPANDER	U0026	64270901	4	X		FB	
003356	025	RIVET			4				
003357	026	EXCLUDER, DUST, BRAKE EXPANDER HOUSING	U0026	GB41309	2	X		FB	
003358	000	GASKET, EXPANDER HOUSING	U0026	GB45564	2	X		UFB	
003359	027	EXPANDER UNIT, WHEEL CYLINDER	U0026	64276115	2	N		UFB	
003360	000	HOUSING EXPANDER			2				
003361	028	ADJUSTER ASSEMBLY, BRAKE	U0026	64275673	2	N		UFB	
003362	000	ADJUSTER ASSEMBLY, BRAKE	U0026	64275673	1	X		FB	
003363	029	COVER, ADJUSTER HOUSING	U0026	64224640	2	X		FB	
003364	030	SCREW, MACHINE, UNF, 2A, SAE GRADE 5 STEEL, HEX HD, ZINC COATED, 1/2IN BY 0.703IN LG	U0026	64110305	4	X		UFB	
003365	031	LOCKING PLATE NUT AND BOLT STEEL ELECTRO-TINNEE TWO 0 530IN MTG HOLES	U1269	LV6MT9GB64270647	3	X		UFB	
003366	032	SHAFT, ADJUSTER PLUNGER	U0026	GB48083	4	X		FB	
003367	000	HEAD, PLUNGER SHAFT	U0026	GB48084	4	X		FB	
003368	033	WEDGE ASSEMBLY, BRAKE ADJUSTER (CONSISTS OF SERIALS 3369 TO 3372)	U0026	GB42790	2	X		UFB	
003369	034	STEM (USE SERIAL 3368)			1				
003370	035	SPRING CLICKER (USE SERIAL 3368)			1				

SERIAL	NUMBER	GROUP & ITEM No.	DESIGNATION	MANUFACTURERS		NO OF P	EXPL CLASS	LEVEL	REPAIR
				CODE	PART No.				
1	2	3	4	5		6	7	8	
003371	036		WEDGE (USE SERIAL 3368)			1			
003372	037		PIN, MILLS (USE SERIAL 3368)			1			
003373	038		EXCLUDER, DUST, BRAKE EXPANDER HOUSING	U0026	GB41309	2	X		FB
003374	039		CYLINDER ASSEMBLY, HYDRAULIC BRAKE, WHEEL, FRONT, M R H	U0026	390534W	1	X		UPB
003375	000		CYLINDER ASSEMBLY, HYDRAULIC BRAKE, WHEEL, FRONT M L H	U0026	390535W	1	X		UPB
003376	040		CAP, PROTECTIVE, DUST AND MOISTURE SEAL, RUBBER, 10.92MM DIA O/A, 3.30 MM LG OF ID	K4285	9392248	2	X		UPB
003377	041		BLEEDER VALVE, HYDRAULIC BRAKE	Z0160	P4392	2	X		UPB
003378	042		EALL, BEARING, HIGH CARBON CHROME ALLOY STEEL, 5/16 IN DIA, 0.0002 IN. SPHERICITY	09367	A18370	2	X		UPB
003379	043		BODY CYLINDER R/H			1			
003380	000		BODY CYLINDER L/H			1			
003381	044		SPRING, HELICAL, COMPRESSION, FRONT CYLINDER	Z0160	P5033	2	X		UPB
003382	045		SEAT, COMPRESSION HELICAL SPRING RETAINING	U1030	242117	2	X		FB
003383	046		SEAL FRONT PUSHER CYLINDER (USE SERIAL 3386)			2			
003384	047		PLUNGER, BRAKE EXPANDER, FRONT	U0026	370333	2	X		FB
003385	048		RING, SEALING	U0026	64225003	2	X		UPB
003386	00		PARTS KIT, HYDRAULIC BRAKE WHEEL CYLINDER ASSEMBLY (CONSISTS OF QTY 2 OF SERIAL 3383)	U0026	SP02046	1	X		UPB



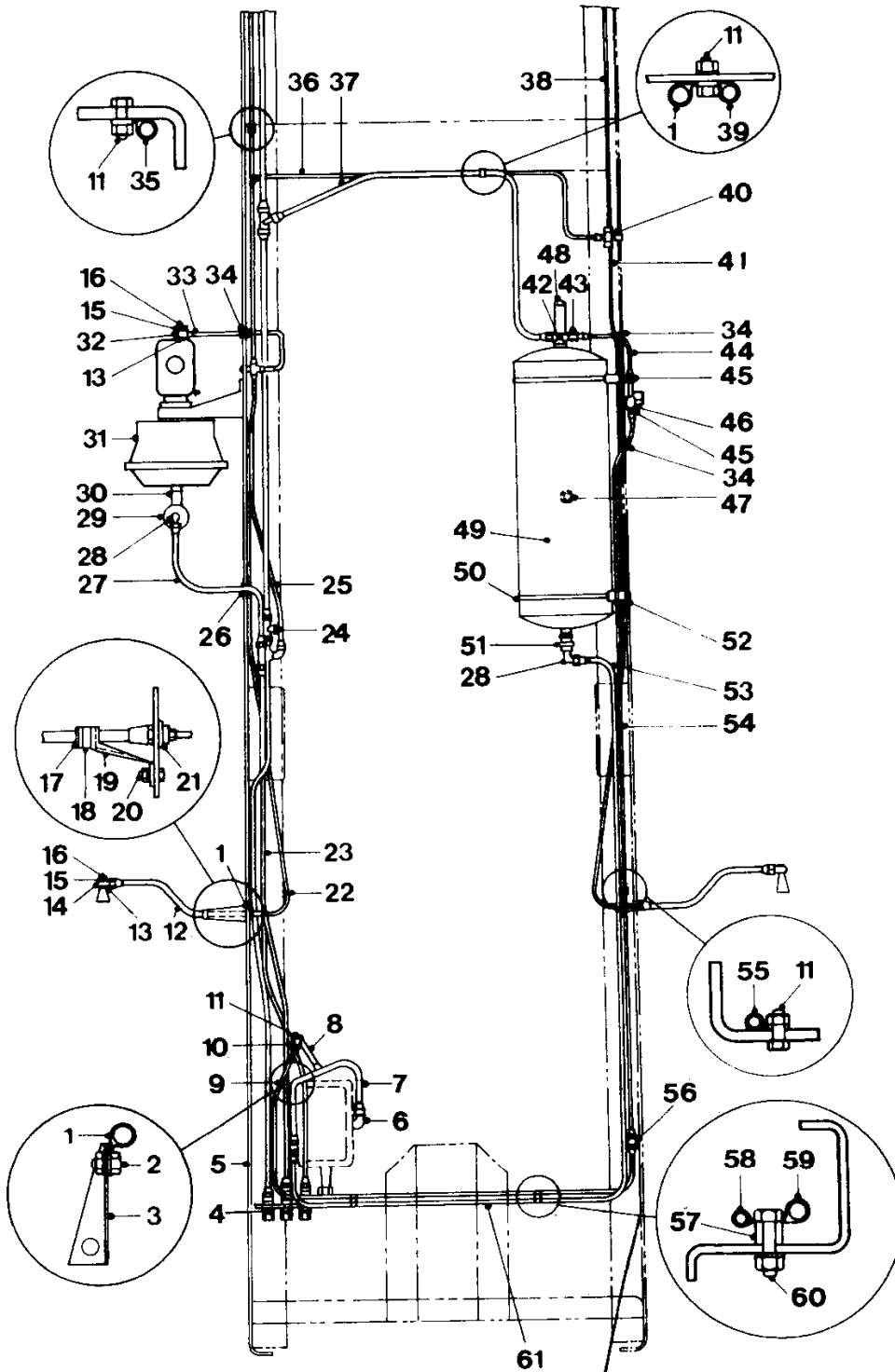
BRAKES REAR AXLE

S E R I A L	N U M B E R	G R O U P & I T E M N O.	D E S I G N A T I O N	M A N U F A C T U R E R S		N O O F	E X P L O S I O N	L E V E L	O F	R E P A R T S
				C O D E	P A R T N O.					
1	2	3	4	5		6	7	8		
003406	PGB	BRAKES REAR AXLE								
003407	001	BRAKE ASSEMBLY, REAR, LH (GIRLING 15-1/4 IN BY 4-1/4 IN 2LS, BACKPLATE W/CYLINDER AND SHOES MOUNTED, REFER SERIAL 3480 FOR REAR RH)	Z2822	640284500A		1	N			B
003408	002	COVER, DUST, REAR, WITH SLOT (UPPER)	Z2822	64270023		2	X			B
003409	000	COVER, DUST, FRONT AND REAR (LOWER)	U0026	64270024		2	X			B
003410	000	WASHER, LOCK, SPRING STEEL, SINGLE TURN, RECTANGULAR SECTION, CAD PLATED, 1/4IN BOLT SIZE	K7766	1802		12	X			UPB
003411	000	SCREW, MACHINE, UNF, 2A, SAE GRADE 5 STEEL, HEX HD, ZINC COATED, 1/4IN BY 1/2IN LG	Z1272	030-111		12	X			UPB
003412	003	PLATE, TORQUE	U0026	62270635		2	X			B
003413	004	BRAKE SHOE, INTERNALLY ACTUATED, W/LINING, FRONT OR REAR	U0026	64377304DA <i>1 Pair equals 1 Set</i>		1	N			UPB
003414	000	BRAKE LINING KIT, CONSISTS OF 4 LININGS WITH 54 RIVETS (CONSISTS OF SERIALS 3415, 3416)	UQ026	SP1359		1	X			UPB
003415	005	RIVET TUBULAR BRAKE LINNING				54				
003416	006	LINNING FRICTION, SET OF FOUR				1				
003417	007	SPRING, HELICAL, EXTENSION, SHOE RETURN	U0026	GB41817		8	X			UPB
003418	008	PIN, COTTER SPLIT, MILD STEEL, 1/8IN BY 1-1/2IN LG	K7766	1574		4	X			UPB
003419	009	BELL CRANK ASSEMBLY, ADJUSTING (INCLUDES SCREW AND LOCKNUT)	U0026	GB45448		2	X			UPB
003420	010	PUSH ROD BRAKE SHOE	U0026	GB41204		2	X			UPB
003421	011	BELL CRANK, PLAIN SHOE OPERATING	U0759	47W738		2	X			UPB
003422	012	PIN, GROOVE, HEADLESS	U1725	16L50031		4	X			UPB
003423	013	RING, SEALING	U0026	64225003		2	X			UPB
003424	014	FLANGE, PACKING, HYDRAULIC BRAKE CYLINDER	U0026	GB44226		2	X			B
003425	015	WASHER, KEY	U0026	64270695		4	X			UPB
003426	016	SCREW, MACHINE, UNF, 2A, SAE GRADE 5 STEEL, HEX HD, ZINC COATED, 1/2IN BY 1.094IN LG	U0026	64110308		4	X			UPB

S E R I A L	N U M B E R	G R O U P & I T E M N o.	D E S I G N A T I O N	M A N U F A C T U R E R S		N O.	E X P L O S I O N	L E V E L	O F	R E P A I R
				C O D E	P A R T N o.					
1	2	3	4	5		6	7	8		
003427	017	PLUNGER ASSEMBLY, BRAKE (CONSISTS OF SERIALS 3428 TO 3431)	U0026	64270834		2	X			UPB
003428	018	DRAW LINK (USE SERIAL 3427)				1				
003429	019	MILLS PIN (USE SERIAL 3427)				1				
003430	020	PLUNGER (USE SERIAL 3427)				1				
003431	021	WEDGE (USE SERIAL 3427)				1				
003432	022	SPRING, HELICAL, COMPRESSION, PLUNGER RETURN	U0026	64270580		2	X			UPB
003433	023	RING, SEALING, EXPANDER HOUSING TAPPET	U0026	64270305		4	X			FB
003434	024	TAPPET, EXPANDER HOUSING	U0026	64271023		4	X			FB
003435	025	ROLLER, BRAKE EXPANDER	U0026	64270901		4	X			FB
003436	026	RIVET				4				
003437	027	EXCLUDER, DUST, BRAKE EXPANDER HOUSING	U0026	GB41309		2	X			FB
003438	000	GASKET, EXPANDER HOUSING	U0026	GB45564		2	X			UPB
003439	028	HOUSING, EXPANDER	U0026	64275998		2	X			B
003440	000	EXPANDER ASSEMBLY, BRAKE (CONSISTS OF SERIALS 3427 TO 3476 INCL)	U0026	64270833		2	X			UPB
003441	000	WASHER, LOCK, SPRING, STEEL, SINGLE TURN, RECTANGULAR SECTION, CAD PLATED, 3/8 IN. BOLT SIZE	K7766	1802		4	X			UPB
003442	000	NUT, PLAIN, HEXAGON, UNF 2B, STEEL, FORMED, ZINC COATED, 3/8IN	80204	B18-2		4	X			UPB
003443	029	ADJUSTER ASSEMBLY, BRAKE	U0026	64275673		2	N			UPB
003444	000	HOUSING BRAKE ADJUSTER (USE SERIAL 3443)								
003445	030	COVER, ADJUSTER HOUSING	U0026	64224640		2	X			FB
003446	031	SCREW, MACHINE, UNF, 2A, SAE GRADE 5 STEEL, HEX HD, ZINC COATED, 1/2IN BY 0.703IN LG	U0026	64110305		8	X			UPB
003447	032	LOCKING PLATE NUT AND BOLT STEEL ELECTRO-TINNED TWO 0 530IN MTG HOLES	U1269	LV6MT9GB64270647		3	X			UPB
003448	033	SHAFT, ADJUSTER PLUNGER	U0026	GB48083		4	X			FB
003449	000	HEAD, PLUNGER SHAFT	U0026	GB48084		4	X			FB
003450	034	SHAFT, ADJUSTER PLUNGER (CONSISTS OF SERIALS 3451 TO 3454)	U0026	GB48083		2	X			UPB

SERIAL	NUMBER	GROUP & ITEM No.	DESIGNATION	MANUFACTURERS		NO OF	EXPL CLASS	LEVEL	REPAIR
				CODE	PART No.				
1	2	3	4	5	6	7	8		
003451	035		STEM (USE SERIAL 3450)			1			
003452	036		SPRING (USE SERIAL 3450)			1			
003453	037		WEDGE (USE SERIAL 3450)			1			
003454	038		PIN (USE SERIAL 3450)			1			
003455	039		EXCLUDER, DUST, BRAKE EXPANDER HOUSING	U0026	GB41309	2	X		FB
003456	040		CYLINDER ASSEMBLY, HYDRAULIC BRAKE WHEEL, REAR (CONSISTS OF SERIALS 3458 TO 3463 - TRANSVERSE CYLINDER)	U0026	64673693	2	M		UPB
003457	041		PLATE, LOCATION	U0026	64673889	2	X		B
003458	042		RING, RETAINING CYLINDER BODY	U0026	64150510	2	X		FB
003459	043		SLEEVE, ABUTMENT	U0026	64673888	2	X		FB
003460	044		SEAL (USE SERIAL 3479)			4			
003461	045		PISTON, HYDRAULIC			2			
003462	046		PISTON, HYDRAULIC	U0026	64673799	2	X		FB
003463	047		BODY CYLINDER			2			
003464	048		BALL, BEARING, HIGH CARBON CHROME ALLOY STEEL, 5/16 IN DIA, 0.0002 IN. SPHERICITY	09367	A18370	2	X		UPB
003465	049		BLEEDER VALVE, HYDRAULIC BRAKE	Z0160	P4392	2	X		UPB
003466	050		CAP, PROTECTIVE, DUST AND MOISTURE SEAL, RUBBER, 10.92MM DIA O/A, 3.30 MM LG OF ID	K4285	9392248	2	X		UPB
003467	051		SLEEVE ASSEMBLY, HYDRAULIC BRAKE, WHEEL CYLINDER	U0026	64673659	2	X		FB
003468	052		RING, RETAINING TRANSVERSE CYLINDER UNIT SLEEVE	U0026	64150504	2	X		FB
003469	053		CLAMP, HOSE CLIP, BOOT EXPANDER CYLINDER	U0026	378627	2	X		UPB
003470	054		BOOT, TRANSVERSE WHEEL CYLINDER	U0026	363521	2	X		UPB
003471	000		SLEEVE, CRIMPING BOOT	U0026	378315	2	X		UPB
003472	055		PIN, LOCKING	U0026	64674533	2	X		B
003473	000		PIN LOCATING			2			
003474	000		WIRE LOCKING PIN			2			
003475	056		PLUG, TRAVERSE CYLINDER UNIT	U0026	64671330	2	X		FB

SERIAL	NUMBER	GROUP & ITEM No.	DESIGNATION	MANUFACTURERS		NO OFF	EXP CLASS	LEVEL	REPAIR
				CODE	PART No.				
1	2	3	4	5	6	7	8		
003476	057		WASHER, FLAT, RD, COPPER, 0.510 IN. ID, 0.740 IN. OD, 0.028 IN. THK	31007	48167H	2	X	UPB	
003477	058		GASKET, HYDRAULIC CYLINDER	UQ026	6422668	2	X	UPB	
003478	000		PARTS KIT, HYDRAULIC BRAKE WHEEL CYLINDER ASSEMBLY (FOR TWO WHEELS)	U0026	SP2090	1	X	UPB	
003479	000		KIT, REPAIR, WHEEL CYLINDER (FOR ONE WHEEL)	U0026	SP02090	2	X	UP	
003480	000		BRAKE ASSEMBLY, REAR, TH (GIRLING 15-1/4IN BY 4-1/4IN 2LS BACKPLATE W/CYLINDER AND SHOES MOUNTED)	U0026	62927036	1	N	B	



BRAKE LINES AND FITTINGS - FRONT

SERIAL	NUMBER	GROUP & ITEM No.	DESIGNATION	MANUFACTURERS		NO OF	EXPL CLASS	LEVEL	C/P	PART I/E
				CODE	PART No.					
1	2	3	4	5	6	7	8			
C03500	FHA		BRAKE LINES AND FITTINGS - FRONT							
C03501	001		CLIP CLOSED			5				
C03502	002		SCREW, MACHINE, UNF, 2A, SAE GRADE 5 STEEL, HEX HD, ZINC COATED, 1/4IN BY 1/2IN LG	Z1272	030-111	5	X			UPB
C03503	000		NUT, PLAIN, HEXAGCN, UNF, 2B, STEEL, FORMED, ZINC COATED, 1/4 IN.	8Q204	B18-2	5	X			UPB
003504	000		WASHER, LOCK, SPRING STEEL, SINGLE TURN, RECTANGULAR SECTION, CAD PLATED, 1/4IN BOLT SIZE	K7766	1802	5	X			UPB
003505	003		BRACKET CLIP			1				
003506	004		NIPPLE, TUBE, BRASS, U/W 7/16 IN. OD TUBE, 3/4 IN. UNF EXT BY 2-7/16 IN. LG	ZQ020	ADEV225-4 05	4	X			UPB
003507	000		WASHER, LOCK STEEL, SHAKEROOF, CAD PLATED, INTERNAL TYPE 12, 3/4IN BOLT SIZE			4	X			UPB
003508	005		TUBE ASSEMBLY, METAL, STEEL, 1/2 IN. OD, 0.028 IN. WALL THK, 3/4 UNF FEMALE FITTINGS	Z2813	ADEV225-4 29	1	X			PB
C03509	006		FITTING, COMPRESSOR DISCHARGE	06853	220109	1	X			PB
C03510	000		SLEEVE, COMPRESSION, TUBE-HOSE FITTING, BRASS, 1/2IN OD TUBE BY 3/8IN LG	72853	B60 1-2	1	X			B
C03511	000		NUT TUBE COUPLING BRASS U/W 1/2IN OD TUBE THD 11/16IN-20NS 0.507IN MIN ID 1-1/4IN O/A LG 7/8IN A/F	96906	MS39196-4	1	X			PB
C03512	007		PIPE, BENT, STEEL, COMPRESSOR OUTLET	Z2813	ADEV227-4 20	1	X			PB
C03513	000		NUT, TUBE COUPLING, BRASS, 1/2 IN. OD TUBESIZE, 3/4 IN. UNF BY 1-5/32 IN. LG	Z0646	804	1	X			B
C03514	008		HOSE ASSEMBLY, RUBBER, GOVERNOR TO PIPE	Z2813	ADE(V) 225-417	1	X			UPB
C03515	009		PIPE, BENT, STEEL, HOSE TO UNION	Z2813	ADEV225-4 22	1	X			B
C03516	000		NUT, TUBE COUPLING, BRASS, CHROMIUM PLATED, U/W 1/4IN OD TUBE, 7/16IN UNF/F 4/45 DEG SEAT	24617	116452	2	X			UPB
C03517	010		EXTENSION CLIP			3				

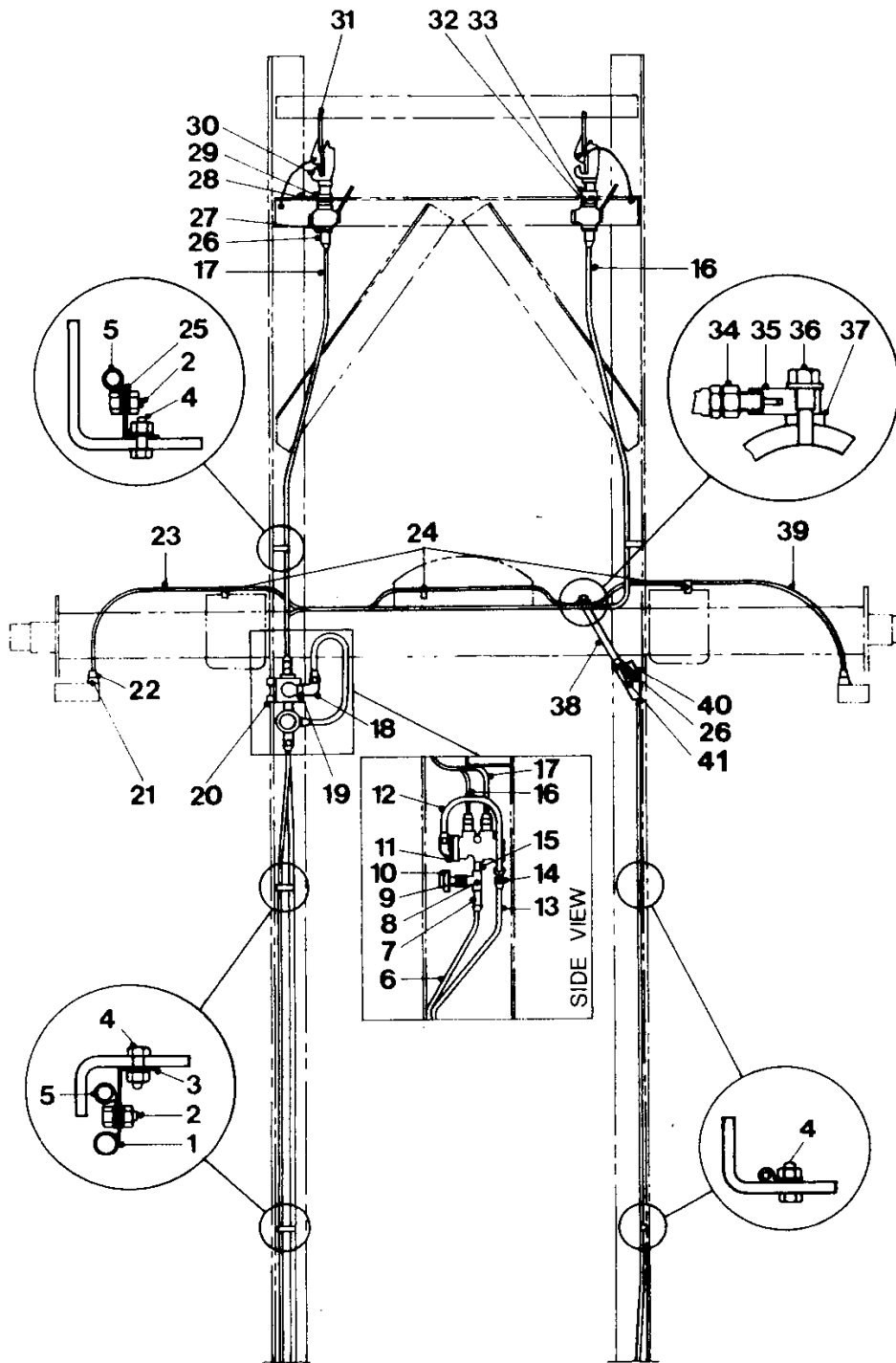
SERIAL NUMBER	GROUP & ITEM No.	DESIGNATION	MANUFACTURERS		NO OF	EXPL CLASS	LEVEL	OF	REPAIR
			CODE	PART No.					
1	2	3	4	5	6	7	8	9	10
003518	011	SCREW, MACHINE, UNF, 2A, SAE GRADE 5 STEEL, HEX HD ZINC COATED, 1/4 IN. BY 3/4 IN. LG	80204	B18-2	13	X			UPB
003519	000	NUT, PLAIN, HEXAGON, UNF, 2B, STEEL, FORMED, ZINC COATED, 1/4 IN.	80204	B18-2	13	X			UPB
003520	000	WASHER, LOCK, SPRING STEEL, SINGLE TURN, RECTANGULAR SECTION, CAD PLATED, 1/4IN BOLT SIZE	K7766	1802	13	X			UPB
003521	012	HOSE ASSEMBLY, RUBBER, BRAKE, 1/8IN. ID BY 15/32 IN. OD X 2 FT 6 1/2 IN. LG	Z2813	TSE(V)93-713	2	X			UPB
003522	013	WASHER, FLAT, RD, COPPER, 0.510 IN. ID, 0.740 IN. OD, 0.028 IN. THK	31007	48167H	2	X			UPB
003523	014	CONNECTOR, MULTIPLE, FLUID PRESSURE LINE, BRASS, 1/4IN OD TUBE, FEMALE NS 7/16IN, 1.094IN O/A LONG	58275	643162	2	X			B
003524	015	WASHER, FLAT COPPER, ROUND, 0.600IN ID, 13/16IN OD, 0.036IN THK	12603	620238	6	X			UPB
003525	016	BOLT, FLUID PASSAGE, STEEL, COPPER PLATED, HEX HD UNF-2A, 1/2IN BY 1-5/32IN	63477	PC673	3	X			UPB
003526	017	GROMMET, NONMETALLIC, 1 IN. OD BY 1/2 IN. DIA HOLE BY 1 IN. H O/A BY 3/4 IN. W GROOVE, SPLIT TYPE	31007	62056V	2	X			UPB
003527	018	CLAMP, HOSE, STEEL, ADJUSTABLE, 5/8IN TO 7/8IN	ZQ772	2641	2	X			UPB
003528	019	SUPPORT, BRAKE HOSE, FRONT	31007	130488H	2	X			FB
003529	020	SCREW, MACHINE, UNF, 2A, SAE GRADE 5 STEEL, HEX HD, ZINC COATED, 5/16IN BY 3/4IN LG	80204	B18-2	2	X			UPB
003530	000	NUT, PLAIN, HEXAGON, UNF, 2B, STEEL, FORMED, ZINC COATED, 5/16 IN.	Z1272	034-079	2	X			UPB
003531	000	WASHER, LOCK, SPRING, STEEL, SINGLE TURN, RECTANGULAR SECTION, CAD PLATED, 5/16 IN. BOLT SIZE	17600	DX252	2	X			UPB
003532	021	NUT, PLAIN, HEXAGON, UNF 2B A STEEL, LOCK, ZINC COATED, 5/8IN	Z0544	B147	1	X			UPB
003533	000	WASHER, LOCK STEEL, SHAKEPROOF, CAD PLATED, INTERNAL TYPE 12, 5/8IN BOIT SIZE			6	X			UPB

SERIAL NUMBER	GROUP & ITEM No.	DESIGNATION	MANUFACTURERS		NO OF	EXP. CLASS	LEVEL	REPAIR
			CODE	PART No.				
1	2	3	4	5	6	7	8	
003534	022	TUBE ASSEMBLY, METAL, STEEL, 1/4 IN. OD, 0.028 IN. WALL THK, 7/16 NS MALE FITTINGS	Z2813	ADEV225-454	1	X	B	
003535	023	TUBE ASSEMBLY, METAL, 1/2 IN. OD, 0.028 IN. WALL THK, 3/4 IN. UNF INT FITTINGS	Z0020	ADEV225-439	1	X	B	
003536	024	CAP 3/8IN FLARE			1			
003537	025	TUBE ASSEMBLY, METAL, STEEL, 3/8 IN. OD, 0.028 IN. WALL THK, 5/8 IN. UNF FEMALE FITTINGS	Z2813	ADEV225-442	1	X	B	
003538	026	GROMMET, NONMETALLIC, SYNTHETIC, 0.781 IN. ID BY 1.250 IN. OD, 1 IN. OI BY 0.250 IN. W GROOVE, 0.500 IN. H O/A	Z0009	854 626 R1	1	X	B	
003539	027	TUBE ASSEMBLY, METAL, STEEL TUBE 1/2 IN. OD, 3/4 UNF COUPLING NUT EACH END, TRANSFER VALVE TO QUICK RELEASE VALVE	Z0020	ADEV225-440	1	X	B	
003540	028	ELBOW, PIPE TO TUBE, BRASS, 90 DEG, 1ST END THD EXT TUBE, U/W 1/2IN OD TUBE, 3/4IN -16 UNF, 45 DEG SEAT, 2ND END THD EXT PIPE, U/W 3/8IN PIPE, 3/8IN -18 NPTF	96906	MS39162-7	4	X	PB	
003541	029	VALVE, QUICK RELEASE	06853	274997	1	X	UPB	
003542	030	REDUCER, PIPE, BRASS, 3/8 IN. BSP EXT TO 1/4 IN. BSP EXT	Z2848	7303	1	X	PB	
003543	031	ACTUATOR AND M/CYL (REFER GROUP FF)						
003544	032	CONNECTOR, MULTIPLE, FLUID PRESSURE LINE, OUTLET, MASTER BRAKE CYLINDER	31007	59150H	1	X	PB	
003545	033	TUBE ASSEMBLY, METAL, STEEL, 5/16 IN. OD, 1/2 IN. UNF, INVERTED NUT EACH END, 8.5 IN. CENTRE BEND TO END	Z0020	ADEV225-453	1	X	B	
003546	034	GROMMET, NONMETALLIC, SYNTHETIC, 0.781 IN. ID BY 1.250 IN. OD, 1 IN. OD BY 0.250 IN. W GROOVE, 0.500 IN. H O/A	Z0009	854 626 R1	3	X	PB	
003547	035	CLIP CLOSED			2			
003548	036	TUBE ASSEMBLY, METAL, STEEL, 5/16 IN. OD, 0.028 IN. WALL THK, 1/2 UNF MALE FITTINGS	Z2813	ADEV225-455	1	X	B	
003549	037	TUBE ASSEMBLY, METAL, FRONT BRAKE	Z0020	ADEV225-427	1	X	B	

SERIAL	NUMBER	GROUP & ITEM No.	DESIGNATION	MANUFACTURERS		NO OFF	EXP. CLASS	LEVEL	OF	REPAIR
				CODE	PART No.					
1	2	3	4	5		6	7	8		
003550	038	TUBE ASSEMBLY, METAL, STEEL, 1/4 IN. OD, 0.028 IN. WALL THK, 7/16 NS MALE FITTINGS	Z2813	ADEV225-457		1	X			B
003551	039	CLIP CLOSED				2				
003552	040	TEE ASSEMBLY, FLUID PIPE, FRAME	63477	FC-4289		1	X			PB
003553	000	SCREW, MACHINE, UNF, 2A, SAE GRADE 5 STEEL, HEX HD, ZINC COATED, 5/16 IN. BY 1 IN. LG	80204	B18-2-1		1	X			UPB
003554	000	NUT, PLAIN, HEXAGON, UNF, 2B, STEEL, FORMED, ZINC COATED, 5/16 IN.	Z1272	034-079		1	X			UPB
003555	000	WASHER, LOCK, SPRING, STEEL, SINGLE TURN, RECTANGULAR SECTION, CAD PLATED, 5/16 IN. BOLT SIZE	17600	DX252		1	X			UPB
003556	041	TUBE ASSEMBLY, METAL, STEEL, 1/4 IN. OD, 0.028 IN. WALL THK, W/7/16 IN. UNS INVERTED NUT EACH END	Z2813	ADEV225-456		1	X			B
003557	042	CROSS, PIPE TO TUBE, BRASS, U/W 1/2 IN. ODTUBE, 1/4 IN. NPTF BY 3/8 IN. NPTF BY 3/4 IN. UNF, 2A	Z0020	ADEV225-731		1	X			PB
003558	043	NUT, UNION, 1/4IN TO 1/2IN	Z0020	ADEV225-484		1	X			UPB
003559	044	PIPE, BENT, STEEL, RESERVOIR TO AIR INFLATION VALVE	Z2813	ADEV94-125		1	X			PB
003560	000	NUT, TUBE COUPLING, BRASS, CHROMIUM PLATED, U/W 1/4IN OD TUBE, 7/16IN UNF/P W/45 DEG SEAT	24617	116452		2	X			UPB
003561	045	ADAPTER, STRAIGHT, PIPE TO TUBE, BRASS, U/W 1/4 IN. OD TUBE, 1ST END 7/16 IN. UNF/EXT 45 DEG SEAT, 2ND 3RD 1/4 IN. NPT/EXT	Z0464	150INPT		3	X			PB
003562	046	COCK, PLUG	56442	KC6417		1	X			PB
003563	000	CAP AIR SUPPLY VALVE				1				
003564	047	COCK, DRAIN, BRASS, 1/4 IN. NPT, MALE END	24617	120139		1	X			UPB
003565	048	VALVE, SAFETY RELIEF, MALE THD, 1/4 IN. NPT, SPRING LOADED, ADJUSTABLE, BRASS BODY, 150 PSI	19207	7066008		1	X			UPB
003566	049	TANK, PRESSURE, AIR RESERVOIR, AIR BRAKES. Z0020. ADE(V) 225-418, 06853 272214	06853	272214		1	N			B
003567	050	STRAP, MOUNTING, RESEERVOIR	Z2813	ADE(V) 225-425		2	X			B

S E R I A L	N U M B E R	GROUP & ITEM No.	DESIGNATION	MANUFACTURERS		N O O F F	E X P L O S S	L E V E L	O P R E P A I R
				CODE	PART No.				
1	2	3	4	5		6	7	8	
003568	000	NUT, PLAIN, HEXAGON, UNF, 2B, STEEL, FORMED, ZINC COATED, 5/16 IN.	Z1272	034-079		1	X	UFB	
003569	000	WASHER, LOCK, SPRING, STEEL, SINGLE TURN, RECTANGULAR SECTION, CAD PLATED, 5/16 IN. BOLT SIZE	17600	DX252		1	X	UFB	
003570	051	VALVE, SINGLE CHECK	06853	228195		1	X	UFB	
003571	000	KIT REPAIR, CHECK VALVE (CONSISTS OF SERIALS 3572 TO 3575)	06853	272216		1	X	FB	
003572	000	WASHER (USE SERIAL 3571)				1			
003573	000	VALVE SEAT (USE SERIAL 3571)				1			
003574	000	SPRING (USE SERIAL 3571)				1			
003575	000	DISC VALVE (USE SERIAL 3571)				1			
003576	052	PAD, RESERVOIR MOUNTING	Z2813	ADE(V) 225-424		2	X	FB	
003577	053	PIPE, UNION TO RESERVOIR	Z2813	ADEV94-540		1	X	FB	
003578	000	NUT, TUBE COUPLING, BRASS, 1/2 IN. OD TUBESIZE, 3/4 IN. UNF BY 1-5/32 IN. LG	Z0646	804		2	X	FB	
003579	000	NIPPLE, TUBE BRASS, U/W 1/2IN OD TUBE, 3/4-16UNF BOTH ENDS, 45 DEG ANGLE SEAT	Z0009	118804		2	X	FB	
003580	054	PIPE, BENT, STEEL, AIR UNION TO INFLATION VALVE	Z2813	ADEV94-126		1	X	B	
003581	000	NUT, TUBE COUPLING, BRASS, CHROMIUM PLATED, U/W 1/4IN OD TUBE, 7/16IN UNF W/45 DEG SEAT	Z4617	116452		2	X	FB	
003582	055	CLAMP, LOOP	12204	120521		5	X	FB	
003583	056	NIPPLE, TUBE, BRASS, U/W 1/4IN OD TUBE, THD 7/16IN UNF 1 3/16IN O/A LG HEX DRIVE, 11/16 IN A/F	41947	A325		1	X	FB	
003584	057	SPACER FRONT BRAKE LINES	31007	86224H		2	X	B	
003585	058	CLIP CLOSED				2			
003586	059	CLIP CLOSED				2			
003587	060	BOLT, MACHINE, UNF, 2A, SAE GRADE 5 STEEL, HEX HD, ZINC COATED, 5/16 IN. BY 1-1/4 IN. LG	BQ204	B18-2-1		2	X	UFB	
003588	000	NUT, PLAIN, HEXAGON, UNF, 2B, STEEL, FORMED, ZINC COATED, 5/16 IN.	Z1272	034-079		2	X	UFB	

S E R I A L	N U M B E R	G R O U P & I T E M N o.	D E S I G N A T I O N	M A N U F A C T U R E R S		N O O F F	E X P L A S S	L E V E L	R E P A I R
				C O D E	P A R T N o.				
1	2	3	4	5	6	7	8		
003589	000	WASHER, LOCK, SPRING, STEEL, SINGLE TURN, RECTANGULAR SECTION, CAD PLATED, 5/16 IN. BOLT SIZE	17600	DX252	2	X		UPB	
003590	061	TUBE ASSEMBLY, METAL, STEEL, 1/2 IN. OD, 0.035 IN. WALL THK, 3/4 UNF FEMALE FITTINGS	Z2813	ADEV94-541	1	X		B	



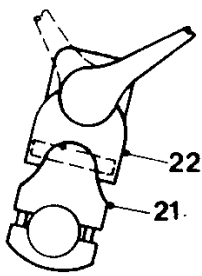
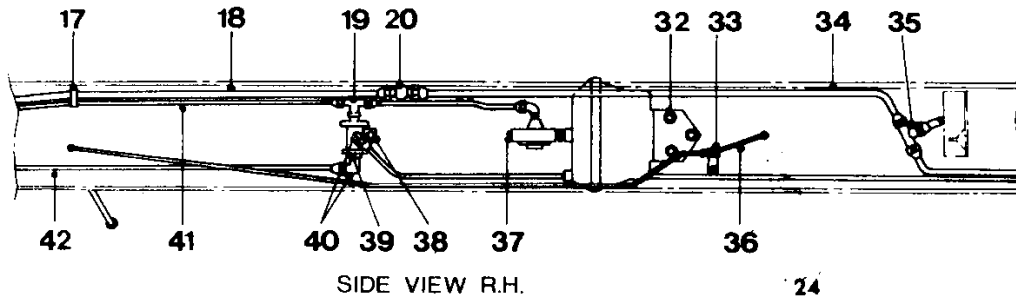
BRAKE LINES AND FITTINGS - REAR

S E R I A L	N U M B E R	G R O U P & I T E M N o.	D E S I G N A T I O N	M A N U F A C T U R E R S		N O O F	E X P L O S I O N C L A S S	L E V E L	R E P A R
				C O D E	P A R T N o.				
1	2	3	4	5	6	7	8		
003611	PHB	BRAKE LINES AND FITTINGS - REAR							
003612	001	CLIP CLOSED				1			
003613	002	SCREW, MACHINE, UNF, 2A, SAE GRADE 5 STEEL, HEX HD, ZINC COATED, 1/4IN BY 1/2IN LG	Z1272	030-111		2	X		UFB
003614	000	NUT, PLAIN, HEXAGON, UNF, 2B, STEEL, FORMED, ZINC COATED, 1/4 IN.	80204	B18-2		2	X		UFB
003615	000	WASHER, LOCK, SPRING STEEL, SINGLE TURN, RECTANGULAR SECTION, CAD PLATED, 1/4IN BOLT SIZE	K7766	1802		2	X		UFB
003616	003	EXTENSION CLIP				1			
003617	004	SCREW, MACHINE, UNF, 2A, SAE GRADE 5 STEEL, HEX HD ZINC COATED, 1/4 IN. BY 3/4 IN. LG	80204	B18-2		3	X		UFB
003618	000	NUT, PLAIN, HEXAGON, UNF, 2B, STEEL, FORMED, ZINC COATED, 1/4 IN.	80204	B18-2		3	X		UFB
003619	000	WASHER, LOCK, SPRING STEEL, SINGLE TURN, RECTANGULAR SECTION, CAD PLATED, 1/4IN BOLT SIZE	K7766	1802		3	X		UFB
003620	005	CLIP CLOSED				2			
003621	006	PIPE TRANSFER VALVE TC TRACTOR PROTECTION VALVE (MFR FROM SERIALS 3622 AND 3623)				1			
003622	000	NUT, TUBE COUPLING BRASS, U/W 3/8IN.OD TUBE, 5/8IN.UNF, 3/4IN.W.A/F BY 1IN.O/A LG	96906	MS3916605		2	X		FB
003623	000	TUBE, METALLIC, STEEL, MILD, WELDED DOUBLEWALL, COPPER COATED, 3/8 IN. OD, 0.028 IN.WALL THK	81343	J527		10	X		FB
003624	007	ADAPTER, STRAIGHT, PIPE TO TUBE, BRASS, 3/8 IN. TUBE, 5/8 IN. UNF EXT, 5/8 IN. LG, 3/8 IN. NPT, 9/16 IN. LG	Z0009	855807R1		3	X		FB
003625	008	TEE, PIPE, BRONZE, ALL ENDS 3/8 IN. NPT/F, ALL LEGS 0.820 IN. LG	97907	0120281		1	X		FB
003626	009	REDUCER, PIPE, BRASS, FEMALE 3/8-18ANPTF TO MALE 1/4-18 ANPTF BY 1-1/4IN	79470	3206X4		1	X		FB
003627	010	SWITCH, PRESSURE, STOPLIGHT	31007	136460R91		1	X		UFB
003628	011	VALVE, TRACTOR PROTECTION				1			

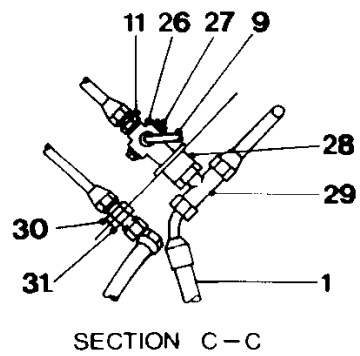
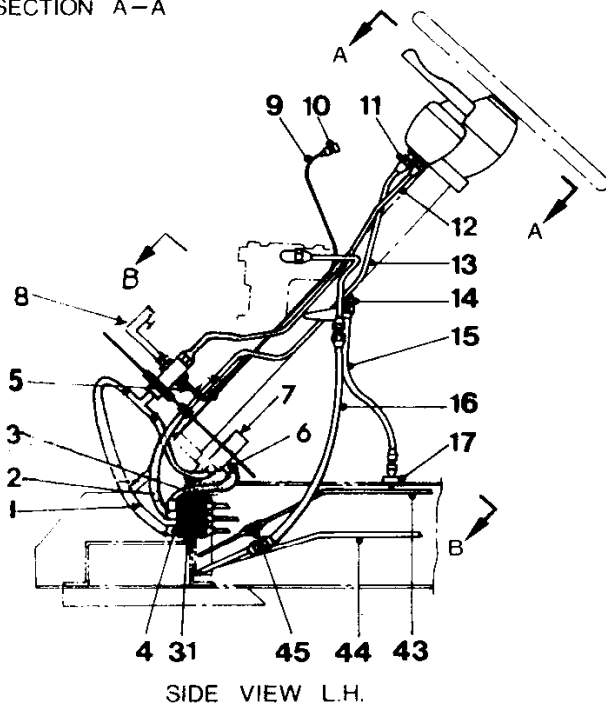
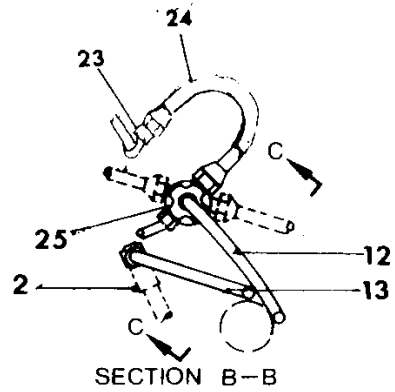
SERIAL	NUMBER	GROUP & ITEM No.	DESIGNATION	MANUFACTURERS		NO	EXP. CLASS	LEVEL	REPAIR
				CODE	PART No.				
1	2	3	4	5	6	7	8		
003629	012	TUBE ASSEMBLY, METAL, STEEL, 1/2 IN. OD, 0.028 IN. WALL THK, 3/4 UNF FEMALE FITTINGS	Z2813	ADEV225-444	1	X		FB	
003630	013	TUBE ASSEMBLY, METAL, STEEL, 1/2 IN. OD, 3/4 IN. UNF, COUPLING NUT EACH END, 78 IN.O/A LG	Z0020	ADEV225-443	1	X		FB	
003631	014	TEE, PIPE TO TUBE, BRASS, 1/2 IN. TUBE, 3/8 IN. NPTF	Z0020	ADEV225-509	1	X		FB	
003632	015	NIPPLE, PIPE, BRASS, 3/8 IN. NOM PIPE SIZE, 1-13/32 IN. LG	Z0009	443980	1	X		FB	
003633	016	TUBE ASSEMBLY, METAL, STEEL TUBE 3/8 IN. OD, 5/8 IN. UNF COUPLING NUT EACH END, TRACTOR PROTECTION VALVE TO COCK UNION, LH	Z0020	ADEV (V) 225-445	1	X		FB	
003634	017	TUBE ASSEMBLY, METAL, STEEL TUBE 3/8 IN. OD, 5/8 IN. UNF COUPLING NUT EACH END, TRACTOR PROTECTION VALVE TO COCK UNION, PH	Z0020	ADEV225-446	1	X		FB	
003635	018	ELBOW, PIPE TO TUBE, BRASS, FEMALE, 90DEG, U/W 1/2IN TUBE OD, NPTF 1/4IN FEMALE BY UNF-2A 3/4IN MALE	Z0020	ADEV225-492	1	X		FB	
003636	019	UNION, PIPE, ANPT 1/4 IN	31007	443978	1	X		FB	
003637	020	BOLT, MACHINE, UNF, 2A, SAE GRADE 5 STEEL, HEX HD, ZINC COATED, 5/16IN BY 3-1/2IN LG	80204	B18-2	2	X		UFB	
003638	000	NUT, PLAIN, HEXAGON, UNF, 2B, STEEL, FORNED, ZINC COATED, 5/16 IN.	Z1272	034-079	2	X		UFB	
003639	000	WASHER, LOCK, SPRING, STEEL, SINGLE TURN, RECTANGULAR SECTION, CAD PLATED, 5/16 IN. BOLT SIZE	17600	DX252	2	X		UFB	
003640	021	WASHER, FLAT COPPER, RD, 33/64IN ID BY 45/64IN OD BY 1/32IN THK	58275	636189	2	X		UFB	
003641	022	REDUCER, TUBE, REAR BRAKE CYLINDER, EIGHT	31007	86454R1	2	X		FB	
003642	023	TUBE ASSEMBLY, METAL, REAR BRAKE	Z0020	ADEV225-497	1	X		FB	
003643	000	INVERTED NUT, TUBE COUPLING, STEEL, U/W 1/4 IN. OD TUBE, 7/16-24 UNS, 45 DEG SEAT, 0.560 IN. O/A LG	15434	S1022A	2	X		FB	

S E R I A L	N U M B E R	G R O U P & I T E M N O.	D E S I G N A T I O N	M A N U F A C T U R E R S		N O O F	E X P L A S E	L E V E L	O F	R E P A I R
				C O D E	P A R T N O.					
1	2	3	4	5		6	7	8		
003644	024	CLAMP, LOOP, STEEL, CAD PLATED, 1/4 IN. LOOP ID, 1/4 IN. BOLT SIZE MTG HOLES, 1/2 IN. W BY 0.025 IN. THK MATERIAL	Z0220	H905		1	X	UPB		
003645	000	SCREW, MACHINE, UNF, 2A, SAE GRADE 5 STEEL, HEX HD, ZINC COATED, 1/4IN BY 1/2IN LG	Z1272	030-111		1	X	UPB		
003646	000	SCREW, MACHINE, UNC, 2A, SAE GRADE 5 STEEL, HEX HD, ZINC COATED, 1/4 IN. BY 1/2 IN. LG	80204	B182		2	X	UPB		
003647	000	WASHER, LOCK, SPRING STEEL, SINGLE TURN, RECTANGULAR SECTION, CAD PLATED, 1/4IN BOLT SIZE	K7766	1802		3	X	UPB		
003648	025	EXTENSION CLIP				2				
003649	026	ADAPTER, STRAIGHT, PIPE TO TUBE, BRASS, 3/8 IN. TUBE, 5/8 IN. UNF, 1/2 IN. NPT, 1-11/16 IN. LG	ZQ646	1509		2	X	FB		
003650	027	VALVE, BALL DS	06853	285172		2	X	UPB		
003651	028	CLIP, DUMMY COUPLING	Z2813	ADE(V) 225-367		2	X	UPB		
003652	000	SCREW, MACHINE, UNF, 2A, SAE GRADE 5 STEEL, HEX HD ZINC COATED, 1/4 IN. BY 3/4 IN. LG	80204	B18-2		4	X	UPB		
003653	000	NUT, PLAIN, HEXAGON, UNF, 2B, STEEL, FORMED, ZINC COATED, 1/4 IN.	80204	B18-2		4	X	UPB		
003654	000	WASHER, LOCK, SPRING STEEL, SINGLE TURN, RECTANGULAR SECTION, CAD PLATED, 1/4IN BOLT SIZE	K7766	1802		4	X	UPB		
003655	029	PLATE, INSTRUCTION, ALUMINIUM, EMERGENCY, BRAKE HOSE COUPLING	06853	201499		1	X	UPB		
003656	030	COUPLING HALF, QUICK DISCONNECT, AIR BRAKE HOSE, SERVICE UNIT	06853	278850		1	X	UPB		
003657	000	COUPLING HALF, QUICK DISCONNECT, GLAD HAND TYPE, ALUMINIUM, UNIVERSAL, 1/2 IN. NPT/INT	06853	275150		1	X	UPB		
003658	031	DUMMY COUPLING, AUTOMOTIVE AIR BRAKE HOSE, C/W CHAIN	19207	7014965		2	X	UPB		
003659	032	PLATE, INSTRUCTION, ALUMINIUM, INSCRIBED "SERVICE", 2-1/4IN. LG BY 1-27/32IN. W BY 0.035IN. THK	19207	7409721		1	X	UP		

S E R I A L	N U M B E R	G R O U P & I T E M N o.	D E S I G N A T I O N	M A N U F A C T U R E R S		N O O F	E X P L O S I V E	L E V E L	O F	R E P A I R
				C O D E	P A R T N o.					
1	2	3	4	5		6	7	8		
003660	033	REDUCER, PIPE, CONCENTRIC TYPE, COPPER ALLOY, 1ST END HD 1/2IN NPT/MALE 2ND END THD 1/4IN, NPT/FEMALE AND 1/2IN NPT/MALE, 2ND END THD 1/4IN NPT/FEMALE AND 1/2 IN NPT/MALE, 2-5/8IN O/A LG	50513	19220M		2	X	PB		
003661	034	COUPLING, TUBE, BRASS, U/W 1/4 IN. OD TUBE, 7/16 IN. UNF/EXT, 7/16 IN. 24UNS/INT	Z2813	TSEV93-530		1	X	PB		
003662	035	CONNECTOR, MULTIPLE FLUID PRESSURE LINE BRASS, 1/4IN. OD TUBE FEMALE NS 7/16IN. FEMALE UNF 7/16IN. 1-5/8IN O/A LG.	79470	5167679		1	X	B		
003663	036	SCREW, MACHINE, UNF, 2A, SAE GRADE 5 STEEL, HEX HD, ZINC COATED 7/16IN BY 1-1/4IN LG	80204	B18-2		1	X	UPB		
003664	000	WASHER, LOCK, SPRING STEEL, SINGLE TURN, RECTANGULAR SECTION, CAD PLATED, 7/16 DN BOLT SIZE	K7766	1802		1	X	UPB		
003665	000	DELETED FROM SCALE								
003666	037	SPACER REAR BRAKE LINES	31007	855075R1		1	X	B		
003667	038	HOSE ASSEMBLY, RUBBER, FLUID, FLEXIBLE	Z0020	TSE(V) 93-712		1	X	UPB		
003668	039	TUBE ASSEMBLY, METAL, REAR BRAKE	Z0020	ADEV225-496		1	X	PB		
003669	000	INVERTED NUT (REFER SERIAL 3643)				1				
003670	040	BRACKET FRAME REAR HOSE				1				
003671	041	BOLT MACHINE UNF 2A SAE GRADE 5 STEEL HEX HD ZINC COATED 1/4IN BY 1IN LG	80204	B18-2		1	X	UPB		
003672	000	NUT, PLAIN, HEXAGON, UNF, 2B, STEEL, FORMED, ZINC COATED, 1/4 IN.	8Q204	B18-2		1	X	UPB		
003673	000	WASHER, LOCK, SPRING STEEL, SINGLE TURN, RECTANGULAR SECTION, CAD PLATED, 1/4IN BOLT SIZE	K7766	1802		1	X	UPB		



SECTION A-A



BRAKE LINES AND FITTINGS - SIDE VIEW

SERIAL NUMBER	GROUP & ITEM No.	DESIGNATION	MANUFACTURERS		NO OF	EXCHG	REMARKS
			CODE	PART No.			
1	2	3	4	5	6	7	8
C03693	PHC	BRAKE LINES AND FITTINGS - SIDE VIEW					
003694	001	HOSE ASSEMBLY, RUBBER, AIR	Z0083	ADEV225-430	1	X	UFB
003695	002	HOSE ASSEMBLY, RUBBER, BULKHEAD FITTING TO CHASSIS	Z0083	ADEV225-437	1	X	UFB
003696	003	HOSE ASSEMBLY, RUBBER SYNTHETIC, 3/8 IN ID HOSE, 1ST END 90 DEG SWIVEL ELBOW, 2ND END STRAIGHT SWIVEL, BOTH ENDS 3/4 IN UNF/F 45 DEG SOAT, 18-1/2 IN LG	Z2813	ADE(V) 225-701 (REV 4)	1	X	UFB
003697	004	NIPPLE, TUBE, BRASS, U/W 7/16 IN. OD TUBE, 3/4 IN. UNF EXT BY 2-7/16 IN. LG	Z0020	ADEV225-405	2	X	FB
003658	005	HOSE ASSEMBLY, RUBBER, MANIFOLD FITTING TO BULKHEAD FITTING	Z0083	ADEV225-431	1	X	UFB
003699	006	ELBOW, PIPE TO TUBE, BRASS, 90 DEG, 1ST END THD EXT TUBE, U/W 1/2 IN OD TUBE, 3/4 IN -16 UNF, 45 DEG SEAT, 2ND END THD EXT PIPE, U/W 3/8 IN PIPE, 3/8 IN -18 NPTF	96906	MS39162-7	1	X	UFB
003700	007	FOOT VALVE (REFER GROUP FC)			1		
003701	008	TAP AND PIPE (NOT USED IN THIS VEHICLE)			1		
003702	009	TUBE, METALLIC, STEEL, MILD, WELDED DOUDLE WALL, COPPER COATED, 1/4 IN. OD, 22 SWG, (0.028 IN.) WALL THK	81343	J527	1	X	UFB
003703	000	NUT, TUBE COUPLING, BRASS, CHROMIUM PLATED, U/W 1/4 IN OD TUBE, 7/16 IN UNF/F W/45 DEG SEAT	24617	116452	2	X	UFB
003704	010	ADAPTER, STRAIGHT, PIPE TO TUBE, BRASS, 1/4 IN OD TUBE, THD 7/16 IN UNF/MALE BY 1/8 IN NPT/FEMALE, 15/16 IN LG	41947	A4622	1	X	FB
003705	011	ADAPTER, STRAIGHT, PIPE TO TUBE, BRASS, U/W 3/8 IN OD TUBE, THD MALE, UNF, 2B, 5/8 IN AND MALE, 1/4 IN NPTF, 45 DEG SEAT, 1.438 IN C/A LG	21450	118750	1	X	FB
003706	012	TUBE ASSEMBLY, METAL, STEEL, 3/8 IN. OD, 5/8 IN. UNF, COUPLING NUT EACH END, 21.7 IN. O/A	Z0020	ADEV225-434	1	X	FB
003707	013	TUBE ASSEMBLY, METAL, STEEL, 1/2 IN. OD, 3/4 IN. UNF, COUPLING NUT EACH END, 7B IN. O/A LG	Z0020	ADEV225-443	1	X	FB

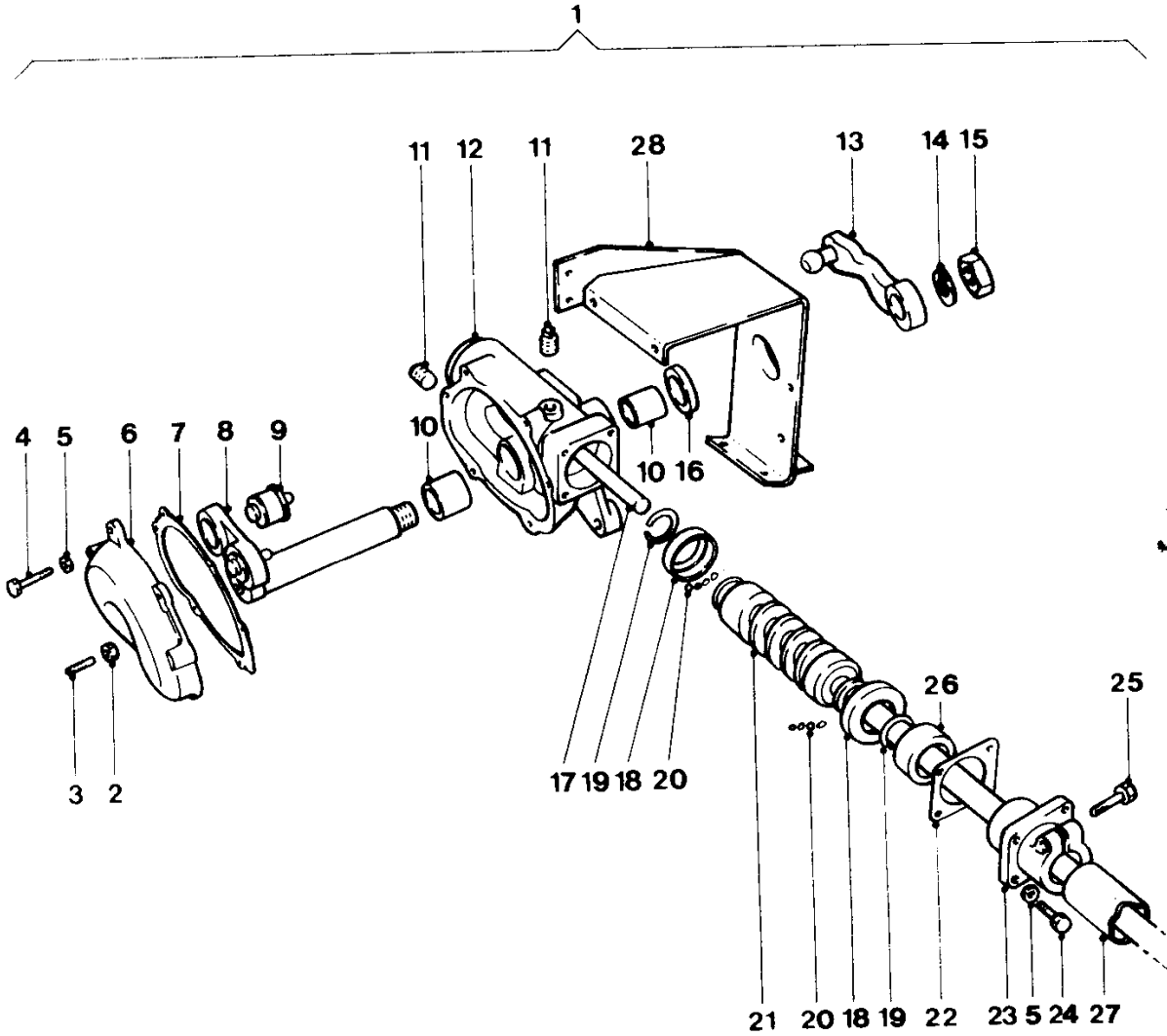
SERIAL	NUMBER	GROUP & ITEM No.	DESIGNATION	MANUFACTURERS		NO	EXPL CLASS	LEVEL	TO	REFER
				CODE	PART No.					
1	2	3	4	5		6	7	8		
003708	014	ELBOW, PIPE TO TUBE, COPPER ALLOY, 90 DEG, U/W 1/4 IN. OD TUBE 1ST END, 7/16 IN. UNF/M-3, 45 DEG SEAT, 0.880 IN. LG, 2ND END 1/8 IN. NPTF/M 0.750 IN. LG	84768	B3111		1	X			PB
003709	015	HOSE ASSEMBLY, RUBBER, GOVERNOR TO PIPE	Z2813	ADE(V) 225-417		1	X			UPB
003710	016	HOSE ASSEMBLY, RUBBER, AIR COMPRESSOR, OUTLET	Z2813	ADE(V) 225-416		2	X			UPB
003711	017	CLAMP, LOOP	12204	120521		2	X			UPB
003712	018	TUBE ASSEMBLY, METAL, STEEL, 1/2 IN. OD, 0.028 IN. WALL THK, 3/4 UNF FEMALE FITTINGS	Z2813	ADEV225-429		1	X			PB
003713	019	CROSS, PIPE TO TUBE, BRASS, U/W 1/2 IN. OD TUBE, 1/4 IN. NPTF BY 3/8 IN. NPTF BY 3/4 IN. UNF, 2A	Z0020	ADEV225-731		1	X			UPB
003714	020	TEE, TUBE, BRASS, 1ST & 2ND ENDS 3/4 IN. UNF EXT, U/W 1/2 IN. OD TUBE, 3RD END 5/8 IN. UNF EXT, U/W 3/8 IN. OD TUBE	Z0020	ADEV225-520		1	X			PB
003715	021	BRACKET HAND VALVE MOUNTING				1				
003716	022	VALVE ASSY (REFER GROUP PDA AND GROUP PDB)				1				
003717	023	ELBOW, TUBE, BRASS, 90 DEG, 1/2 IN. TUBE, 3/4 IN. UNF INT, 3/4 IN. UNF EXT	Z0020	ADEV225-487		1	X			PB
003718	024	HOSE ASSEMBLY, RUBBER, MANIFOLD FITTING TO BULKHEAD FITTING	Z0083	ADEV225-431		1	X			UPB
003719	025	ADAPTER, STRAIGHT, PIPE TO TUBE, BRASS, U/W 1/4 IN. OD TUBE, 1ST END 7/16 IN. UNF/EXT 45 DEG SEAT, 2ND END 1/4 IN. NPT/EXT	Z0464	150INPT		1	X			PB
003720	026	MANIFOLD FITTING	19207	7539300		1	X			UPB
003721	027	PLUG, PIPE, 1/4IN SQ HD	31007	444736		3	X			PB
003722	028	SPACER				1				
003723	029	TEE, PIPE TO TUBE, BRASS, U/W 1/2 IN. OD TUBE, 3/4 IN. UNF EXT BY 1/4 IN. NPT EXT	Z0646	2713NPT		1	X			PB
003724	030	NUT, PLAIN, HEXAGON, UNF 2B A STEEL, LOCK, ZINC CCATED, 5/8IN	Z0544	B147		1	X			UPB
003725	031	BULKHEAD FITTING ASSEMBLY, WITH 5/8 UNF BRASS JAM NUTS	Z0020	ADEV225-404		1	X			UPB

S E R I A L	N U M B E R	G R O U P & I T E M N o.	D E S I G N A T I O N	M A N U F A C T U R E R S		N O O F	F X P C L A S S	L E V E L	O F	R E P A I R
				C O D E	P A R T N o.					
1	2	3	4	5		6	7	8		
003726	032	BOLT, MACHINE, UNF, 2A, SAE GRADE 5 STEEL, HEX HD, ZINC COATED, 3/8IN BY 1-1/4IN LG	80204	B18-2		3	X	UPB		
003727	000	NUT, PLAIN, HEXAGON, UNF 2B, STEEL, FORMED, ZINC COATED, 3/8IN	80204	B18-2		3	X	UPB		
003728	000	WASHER, LOCK, SPRING, STEEL, SINGLE TURN, RECTANGULAR SECTION, CAD PLATED, 3/8 IN. BOLT SIZE	K7766	1802		3	X	UPB		
003729	033	TEE, FRAME, RH	Z0009	855216R91		1	X	PB		
003730	000	SCREW, MACHINE, UNF, 2A, SAE GRADE 5 STEEL, HEX HD, ZINC COATED, 5/16 IN. BY 1 IN. LG	80204	B18-2-1		1	X	UPB		
003731	000	NUT, PLAIN, HEXAGON, UNF, 2B, STEEL, FORMED, ZINC COATED, 5/16 IN.	Z1272	034-079		1	X	UPB		
003732	000	WASHER, LOCK, SPRING, STEEL, SINGLE TURN, RECTANGULAR SECTION, CAD PLATED, 5/16 IN. BOLT SIZE	17600	DX252		1	X	UPB		
003733	034	TUBE ASSEMBLY, METAL, STEEL, 1/2 IN. OD, 0.028 IN. WALL THK, 3/4 IN. UNF INT FITTINGS	Z2813	ADEV225-428		1	X	PB		
003734	000	NUT, TUBE COUPLING, BRASS, 1/2 IN. OD TUBESIZE, 3/4 IN. UNF BY 1-5/32 IN. LG	Z0646	804		2	X	PB		
003735	035	TEE, TUBE, 1/2IN FLARE	31007	118809		1	X	PB		
003736	036	TUBE ASSEMBLY, METAL, STEEL, 5/16 IN. OD, 0.028 IN. WALL THK, 1/2 UNF MALE FITTINGS	Z2813	ADEV225-455		1	X	PB		
003737	037	PLUG, PIPE, BRASS OR BRONZE, SQ HD, CORED, NPT 3/8 IN	72992	LL3T20		1	X	UPB		
003738	038	BOLT, MACHINE, UNF, 2A, SAE GRADE 5 STEEL, HEX HD, ZINC COATED, 5/16 IN. BY 1-1/4 IN. LG	80204	B18-2-1		1	X	UPB		
003739	000	NUT, PLAIN, HEXAGON, UNF, 2B, STEEL, FORMED, ZINC COATED, 5/16 IN.	Z1272	034-079		1	X	UPB		
003740	000	WASHER, LOCK, SPRING, STEEL, SINGLE TURN, RECTANGULAR SECTION, CAD PLATED, 5/16 IN. BOLT SIZE	17600	DX252		1	X	UPB		
003741	039	VALVE, DOUBLE CHECK	06863	217698		1	N	UPB		
003742	040	ELBOW, PIPE TO TUBE, BRASS, 90 DEG, U/W 3/8 IN. OE TUBE, 5/8 IN.-18 UNF EXT, 3/8 IN.-18 NPT EXT	Z0009	855808R1		1	X	PB		

S E R I A L	N U M B E R	G R O U P & I T E M N O.	D E S I G N A T I O N	M A N U F A C T U R E R S		N O O F	E X P L A S S	L E V E L	O F	R E P A I R
				C O D E	P A R T N O.					
1	2	3	4	5		6	7	8		
003743	041	TUBE ASSEMBLY, METAL, 1/2 IN. OD, 0.028 IN. WALL THK, 3/4 IN. UNF INT FITTINGS	Z0020	ADEV225-439		1	X			FB
003744	042	TUBE ASSEMBLY, METAL, STEEL, 3/8 IN. OD, 0.028 IN. WALL THK, 5/8 UNF FEMALE FITTINGS	Z2813	ADEV225-438		1	X			FB
003745	043	PIPE, BENT, STEEL, AIR UNION TO INFLATION VALVE	Z2813	ADEV94-126		1	X			FB
003746	044	PIPE HOSE TO RESERVOIR, 1/2IN OD (MANUFACTURE FROM SERIALS 3747, 3748)				1				
003747	000	TUBE, STEEL, MILD, WEIDED DOUBLE WALL, COPPER CCATED, 1/2 IN OD, 20 SWG (0.032 IN.) WALL THK	81343	J527		1	X			FB
003748	000	NUT, TUBE COUPLING, BRASS, 1/2 IN. OD TUBESIZE, 3/4 IN. UNF BY 1-5/32 IN. LG	Z0646	804		2	X			FB
003749	045	NIPPLE, TUBE, BRASS, C/W 1/4IN OD TUBE, THD 7/16IN UNF 1 3/16IN O/A LG HEX DRIVE, 11/16 IN A/P	41947	A325		2	X			FB

GROUP GAA

RPS02031

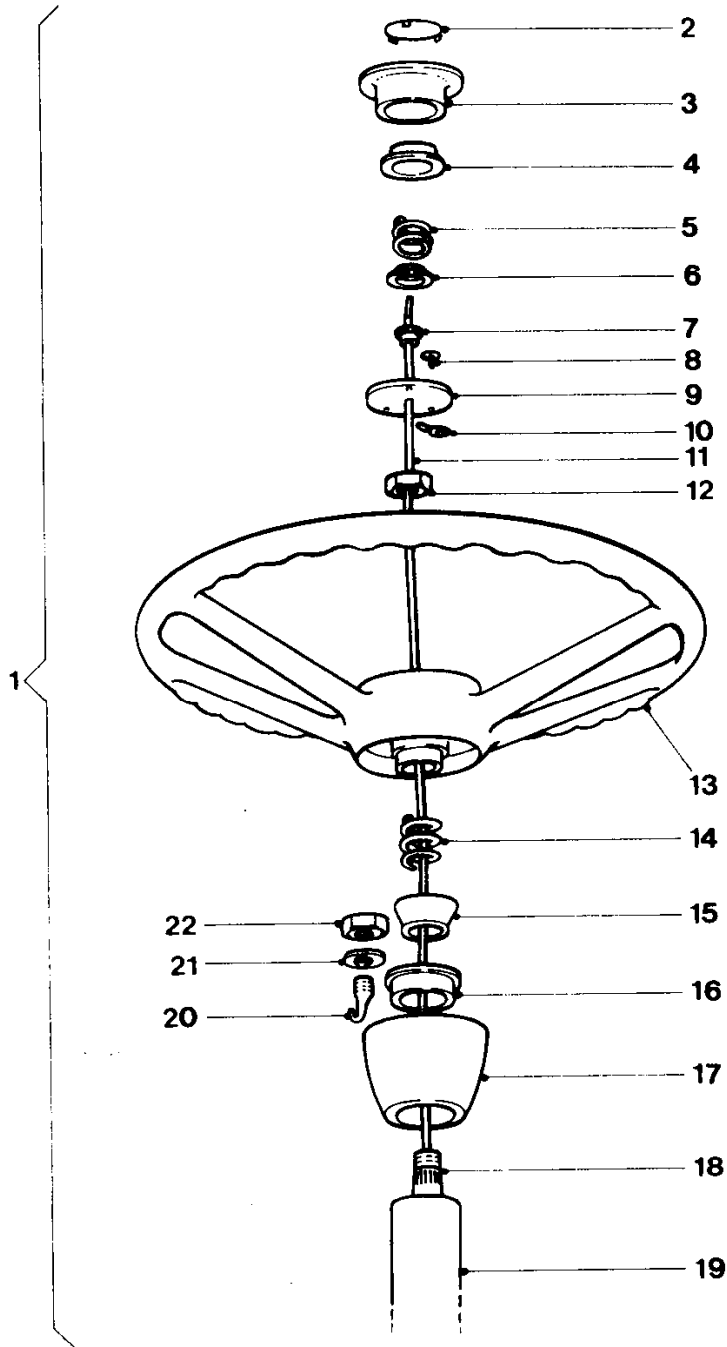


STEERING GEAR

SERIAL NUMBER	GROUP & ITEM No.	DESIGNATION	MANUFACTURERS		QTY	EXPL	REPAIR
			CODE	PART No.			
1	2	3	4	5	6	7	8
003769	GAA	STEERING GEAR					
003770	001	STEERING GEAR ASSEMBLY	Z0020	ADE(V) 225-759	1	N	PB
003771	002	NUT, PLAIN, HEXAGON, UNF 2B, A STEEL, LOCK, ZINC COATED, 1/2IN	Z0544	B147	1	X	UPB
003772	003	SETSCREW, UNF, 2A, STEEL, HEADLESS, NONSTANDARD POINT, SLOTTED, CASEHARDENED, 1/2IN BY 1-3/16 IN	81240	JT9142A	1	X	PB
003773	004	BOLT, MACHINE, UNC, 2A, SAE GRADE 5 STEEL, HEX HD, ZINC COATED, 3/8IN BY 1-1/2IN LG	80204	B18-2	5	X	UPB
003774	005	WASHER, LOCK, SPRING, STEEL, SINGLE TURN, RECTANGULAR SECTION, CAD PLATED, 3/8 IN. BOLT SIZE	K7766	1802	6	X	UPB
003775	006	COVER, GEAR HOUSING, W/ADJUSTING SCREW AND NUT	31007	63721R11	1	X	B
003776	007	GASKET, SIDE COVER	31007	63718R1	1	X	UPB
003777	008	LEVER, SHAFT, WITH STUD AND NUT AND LOCK WASHER	31007	132812R91	1	X	B
003778	009	BEARING, ROLLER, TAPERED, W/STUD, PITMAN ARM SHAFT, MATCHED SET	31007	63713R91	1	X	B
003779	010	BUSHING, SLEEVE, STEERING HOUSING	31007	52985V	2	X	B
003780	011	PLUG, PIPE, IRON, THD, MALE, NPT 3/8 IN.	31007	103867	2	X	UPB
003781	012	HOUSING, STEERING GEAR	Z0009	82242R11	1	N	B
003782	000	BOLT, MACHINE, UNF, 2A, SAE GRADE 5 STEEL, HEX HD, ZINC COATED, 1/2IN BY 2-1/2IN LG	80204	B18-2	1	X	UPB
003783	000	STUD, PLAIN, STEEL, 1/2IN DIA BY 2.500IN O/A LG, 1ST END 1/2IN UNC 0.750IN LG, 2ND END 1/2IN UNF, 2A 0.870IN LG	Z2813	ADEV94-587	2	X	UPB
003784	000	NUT, PLAIN, HEXAGON, UNF, 2B, STEEL, GRADE 0, ZINC COATED, 1/2 IN.	Z0544	B147	3	X	UPB
003785	000	WASHER, FLAT, RD, STEEL, CASE HARDENED, 1/2 IN. ID, 1 IN. OD BY 0.099 IN. THK	Z0020	ADEV94-293	3	X	UPB
003786	013	ARM, STEERING GEAR	Z0020	ADE(V) 225-67	1	X	PB
003787	014	WASHER, LOCK, SPRING, STEEL, SINGLE TURN, RECTANGULAR SECTION, ZINC COATED, 1-1/8 IN.	31007	131049	1	X	UPB

SERIAL	NUMBER	GROUP & ITEM No.	DESIGNATION	MANUFACTURERS		NO OFF	EXP CLASS	REPAIR
				CODE	PART No.			
1	2	3	4	5	6	7	8	
003788	015	NUT, PLAIN, HEXAGON, UNF, 2B, STEEL, COPPER PLATED, 1-1/8 IN., 1-5/8 IN. W A/F, 1/2 IN. THK	63800	025003	1	X	UPB	
003789	016	SEAL, PLAIN, SYNTHETIC RUBBER, STEEL REINFORCED, 1-1/2 IN. SHAFT SIZE, 1.984 IN. BORE DIA, 5/16 IN.	92679	142333H	1	X	UPB	
003790	017	COVER, HOUSING, LOWER, W/TUBE	31007	82417R11	1	X	B	
003791	018	RETAINER, WITH BALL BEARINGS	31007	684198R11	2	X	B	
003792	019	RING, BEARING, OUTE, ANNULAR BALL TYPE, GRCOND, 1.4700 IN. BY 2.405 IN. BY 0.40-0 IN.	04741	10WB0224	2	X	B	
003793	020	RETAINER, WITH BALL BEARINGS	31007	684198R11	2	X	B	
003794	021	CAM AND TUBE ASSEMBLY, W/NUT	20009	859015R91	1	N	B	
003795	022	SHIM, STEEL, 0.002IN. THK	31007	75096H	1	X	B	
003796	000	SHIM, 0.003IN. THK	31007	75097H	1	X	B	
003797	000	SHIM, STEEL, 2.453 IN. ID, 3.062 IN. W, 3.062 IN. LG, 0.010 IN. THK, W/4 BOLT HOLES	20009	75098H	1	X	B	
003798	023	COVER, HOUSING, UPPER	77640	502221	1	X	B	
003799	024	SCREW, MACHINE, UNC, 2A, SAE GRADE 5 STEEL, HEX HD, ZINC COATED, 3/8 IN. BY 1 IN. LG	80204	B18-2	4	X	PB	
003800	000	WASHER, LOCK, SPRING, STEEL, SINGLE TURN, RECTANGULAR SECTION, CAD PLATED, 5/16 IN. BOLT SIZE	17600	DX252	4	X	PB	
003801	025	BOLT, MACHINE, UNF, 2A, SAE GRADE 5 STEEL, HEX HD, ZINC COATED, 3/8IN BY 1-7/8IN LG	80204	B18-2	1	X	UPB	
003802	000	WASHER, LOCK, SPRING, STEEL, SINGLE TURN, RECTANGULAR SECTION, CAD PLATED, 3/8 IN. BOLT SIZE	K7766	1802	1	X	UPB	
003803	000	NUT, PLAIN, HEXAGON, UNF 2B, STEEL, FORMED, ZINC COATED, 3/8IN	80204	B18-2	1	X	UPB	
003804	026	SPACER			1			
003805	027	STEERING COLUMN (REFER GROUP GAB)			1			
003806	028	BRACKET, MOUNTING, STEERING GEAR	20020	ADEV225-42	1	X	B	

SERIAL	NUMBER	GROUP & ITEM No.	DESIGNATION	MANUFACTURERS		NO.	EXPL.	CLASS.	LEVEL	OF	REPAIR
				CODE	PART No.						
1	2	3	4	5	6	7	8				
003807	000	SCREW, MACHINE, UNF, 2A, SAE GRADE 5 STEEL, HEX HD, ZINC COATED, 3/8IN BY 1IN LG	80204	B18-2	4	X					UPB
003808	000	WASHER, LOCK, SPRING, STEEL, SINGLE TURN, RECTANGULAR SECTION, CAD PLATED, 3/8 IN. BOLT SIZE	K7766	1802	4	X					UPB
003809	000	NUT, PLAIN, HEXAGON, UNF 2B, STEEL, FORMED, ZINC COATED, 3/8IN	80204	B18-2	4	X					UPB
003810	000	BOLT, MACHINE, UNF, 2A, SAE GRADE 5 STEEL, HEX HD, ZINC COATED, 1/2IN BY 1-1/2IN LG	80204	B18-2	2	X					UPB
003811	000	STUD, PLAIN, STEEL			2						
003812	000	WASHER, FLAT, RD, STEEL, CASE HARDENED, 1/2 IN. ID, 1 IN. OD BY 0.099 IN. THK	Z0020	ADEV94-293	4	X					UPB
003813	000	NUT, SELF-LOCKING, HEXAGON, UNF 2B, P STEEL, TYPE P ZINC COATED, 1/2IN W/NYLCN INSERT	ZQ635	NPD166-1	4	X					JPB
003814	000	PLUG, BUSHING, 0.93 IN. DIA, W/1 INCH BUY 0.25 IN. SHOULDER, BY 1 IN. LG, STEEL	Z2877	TSU25-2	3	X					FB



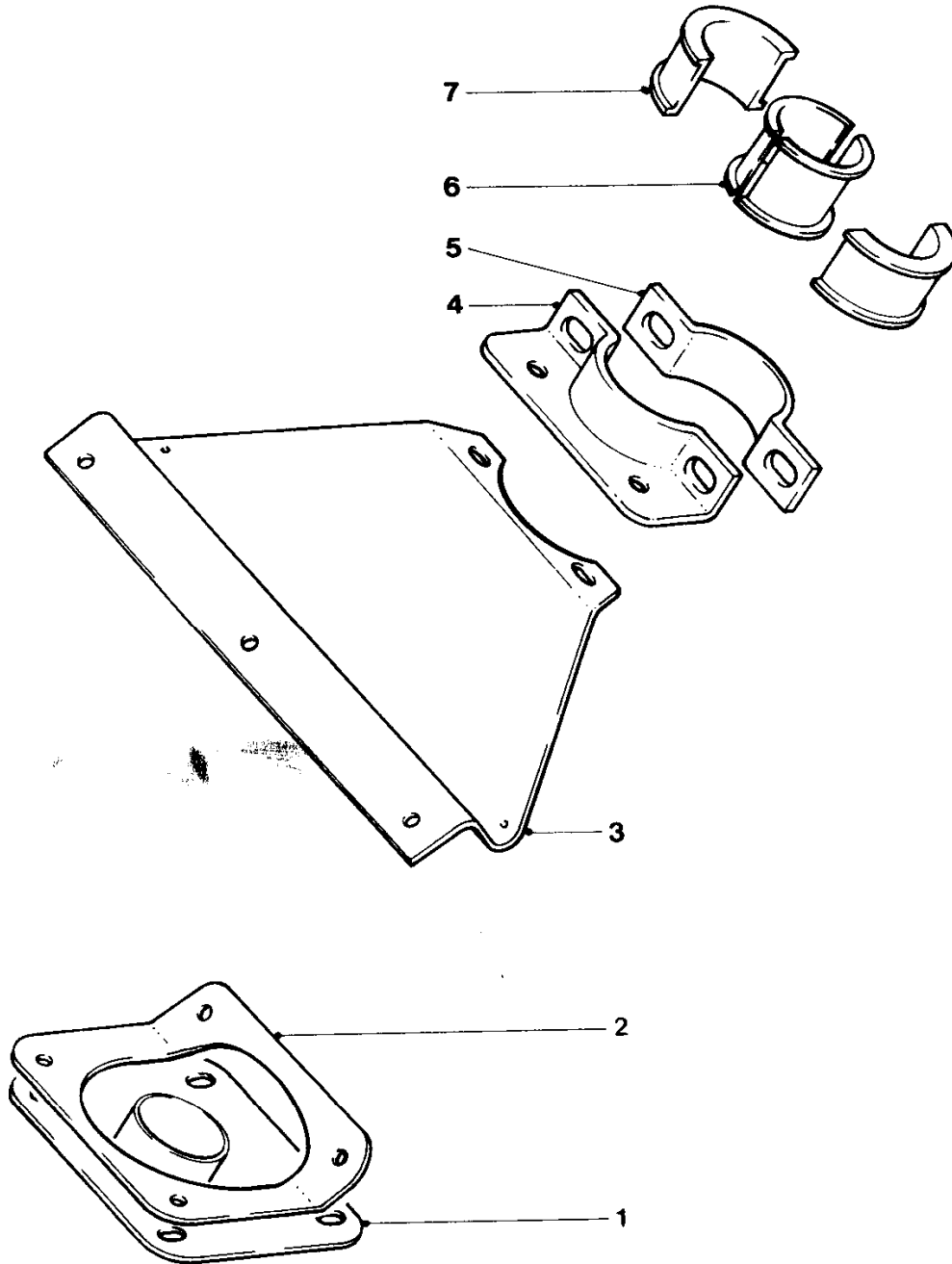
STEERING COLUMN AND WHEEL

SERIAL NUMBER	GROUP & ITEM No.	DESIGNATION	MANUFACTURERS		NO OF	EXPL CLASS	LEVEL OF REPAIR
			CODE	PART No.			
1	2	3	4	5	6	7	8
003834	GAB	STEERING COLUMN AND WHEEL					
003835	001	STEERING COLUMN ASSEMBLY, outer tube (CONSISTS OF SERIALS 3845, 3850, 3851, 3853, 3854, 3855 AND 3856)	20020	ADE(V) 225-760	1	N	B
003836	002	EMBLEM INSERT, PUSH BUTTON	31007	162799R1	1	X	UPB
003837	003	PUSH BUTTON, HORN	31007	169836-R11	1	X	UPB
003838	004	CONTACT, ELECTRICAL, HORN CUP	31007	68025H	1	X	UPB
003839	005	SPRING			1		
003840	006	CONTACT, ELECTRICAL, HORN CABLE	31007	54681HA	1	X	UPB
003841	007	ELECTRICAL CONDUIT, HORN CABLE	77640	051025	1	X	UPB
003842	008	SCREW, TAPPING, THREAD FORMING, STEEL, RD HD, SLOTTED, GIMLET POINT, NO 10 BY 1/2 IN LG	31007	125591	3	X	UPB
003843	009	PLATE, BASE, HORN BUTTON	31007	100994R91	1	X	UPB
003844	010	SPRING, HELICAL, COMPRESSION	31007	178227R1	1	X	UPB
003845	011	LEAD, ELECTRICAL, HORN	20009	856789R91	1	X	UPB
003846	012	NUT, PLAIN, HEXAGON, NEF, 2B, STEEL, 7/8IN BY 1.260IN W BY .390IN THK	21450	5167785	1	X	UPB
003847	013	STEERING WHEEL	31007	188010R1	1	N	FB
003848	014	SPRING, HELICAL, COMPRESSION, STEEL, UNCOATED, SQUARED ENDS, 1IN ID, 1.2410IN OD, 15/16IN O/A LG	77640	401105	1	X	FB
003849	015	SEAT, HELICAL COMPRESSION SPRING	20009	88438H	1	X	FB
003850	016	BEARING, SLEEVE	31007	176799R91	1	X	FB
003851	017	FLANGE, STEERING COLUMN	31007	217767R91	1	X	FB
003852	018	CAM AND TUBE ASSY (REIER GROUP GAA)			1		
003853	019	JACKET, OUTER TUBE ASSEMBLY, STEERING COLUMN	20009	859005R1	1	X	FB
003854	020	BOLT, MACHINE, CLAMP	31007	176976R1	2	X	FB
003855	021	WASHER, FLAT, RD, STEEL, 1/4 IN., 5/8 IN. OD, 0.065 IN. THK	71000	C304	2	X	FB
003856	022	NUT, SELF-LOCKING, HEXAGON UNF, 2B, STEEL, 1/4 IN., ALL METAL LOCKING FEATURE, 0.434 IN. W A/F, 0.163 IN. Q/A H	31007	130109 R1	2	X	FB

FOOTNOTE: PAGE 158 INTENTIONALLY NOT INCLUDED IN THIS RPS

GROUP GAC

RPS02031

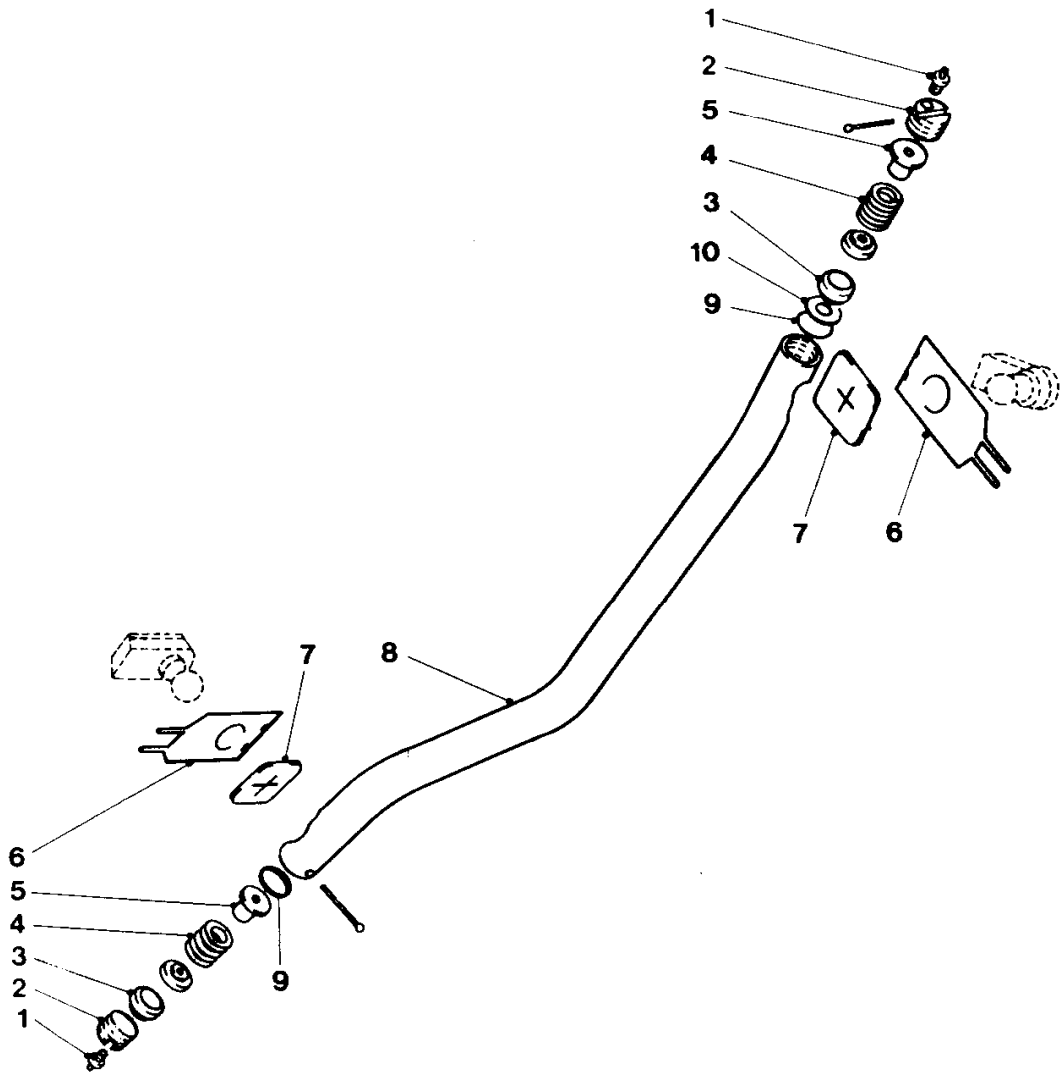


STEERING COLUMN BRACE AND TOE PANEL SEAL

SERIAL	NUMBER	GROUP & ITEM No.	DESIGNATION	MANUFACTURERS		NO	EXP. CLASS	LEVEL	REPAIR
				CODE	PART No.				
1	2	3	4	5	6	7	8		
003877	GAC		STEERING COLUMN BRACE AND TOE PANEL SEAL						
003878	001		RUBBER, DUST SEAL, STEERING COLUMN TO DASH	31007	162815R1	1	X		PB
003879	002		RETAINER, STEERING COLUMN TO TOE PANEL	31007	857660R1	1	X		PB
003880	000		SCREW, TAPPING, THREAD FORMING, STEEL, PAN HD, SLOTTED, GIMLET POINT, NO 10 BY 5/8 IN	80204	B18-6-4	4	X		UPB
003881	003		BRACE STEERING COLUMN			1			
003882	004		CLAMP, STEERING COLUMN BRACE ASSEMBLY			1			
003883	005		CLAMP, STEERING COLUMN, LOWER	31007	162451R1	1	X		PB
003884	000		SCREW, MACHINE, UNF, 2A, SAE GRADE 5 STEEL, HEX HD, ZINC COATED, 5/16 IN BY 3/4 IN LG	80204	B18-2	7	X		UPB
003885	000		WASHER, LOCK, SPRING, STEEL, SINGLE TURN, RECTANGULAR SECTION, CAD PLATED, 5/16 IN. BOLT SIZE	17600	DX252	7	X		UPB
003886	000		NUT, PLAIN, HEXAGON, UNF, 2B, STEEL, FORMED, ZINC COATED, 5/16 IN.	Z1272	034-079	7	X		UPB
003887	006		LINER, STEERING COLUMN BUSHING	31007	142699R1	2	X		UPB
003888	007		BUSHING HALF STEERING COLUMN BRACKET	31007	142631R1	1	X		UPB

GROUP GAD

RPS02031

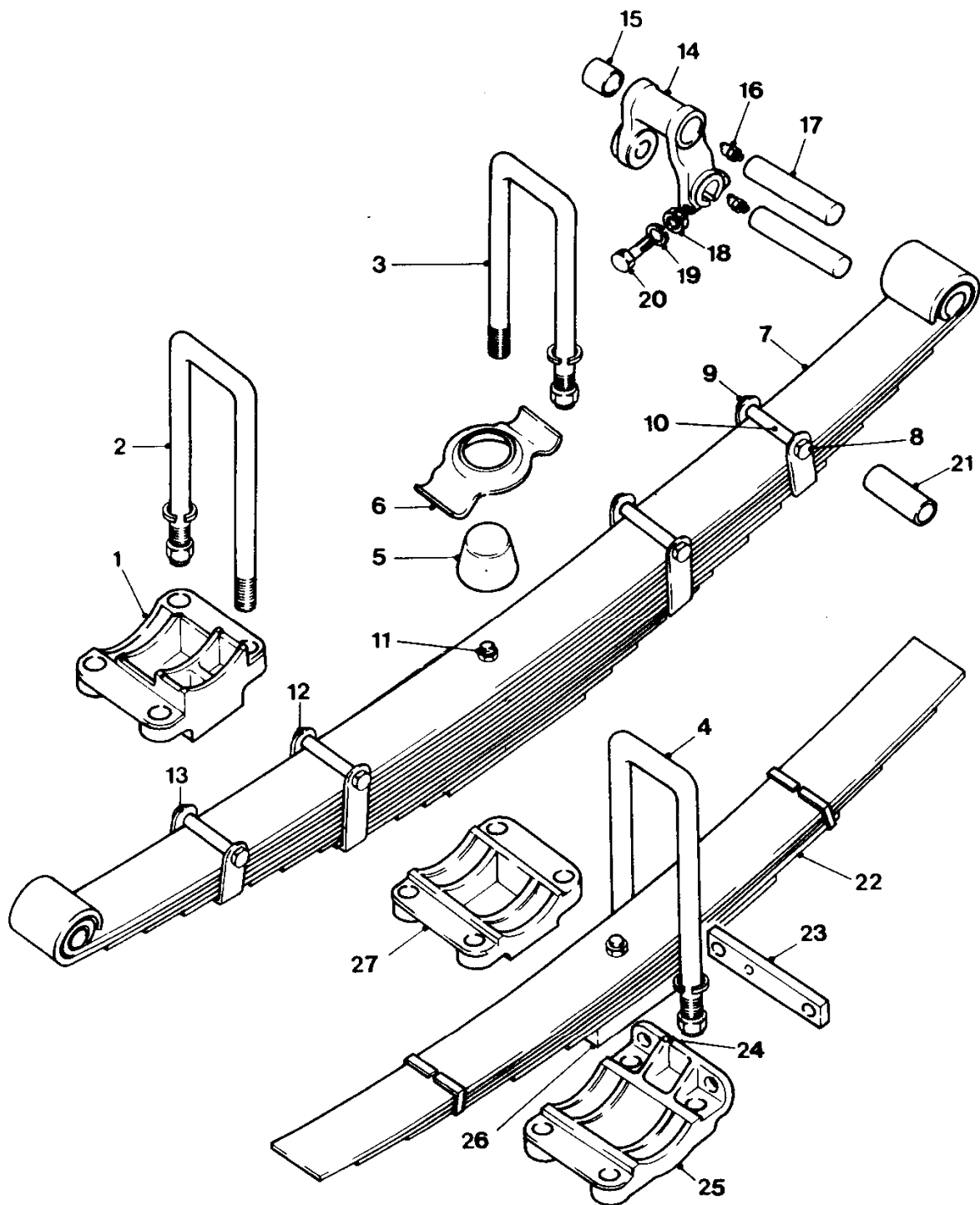


DRAG LINK

S E R I A L	N U M B E R	G R O U P & I T E M N o.	D E S I G N A T I O N	M A N U F A C T U R E R S		N O O F F	I X P. C L A S S	L E V E L	P A R T
				C O D E	P A R T N o.				
1	2	3	4	5	6	7	8		
C03899	GAD	DRAG LINK							
C03900	001	FITTING, LUBRICATION, HYDRAULIC TYPE, STEEL, CAD OR ZINC PLATED, 1/8 IN.-27 NPTF EXT	Z1998	5B		2	X	UFB	
003901	002	PLUG, ADJUSTING, BALL STUD	Z0020	TSEV93-103		2	X	UFB	
C03902	003	SEAT, BALL SOCKET	59875	S7042		4	X	UFB	
C03903	004	SPRING, HELICAL, COMPRESSION, BALL, DRAG LINK	31007	64837 H		2	X	UFB	
003904	005	PLUG, SEAT	31007	64836H		2	X	UFB	
C03905	006	SHIELD, DUST, DRAG LINK BALL	31007	66645H		2	X	UFB	
003906	007	FELT, MECHANICAL, PREFORMED, 3-1/2IN LG BY 3-1/2IN W BY 1/8IN. THK	31007	99381R1		1	X	F	
C03907	008	DRAG LINK, STEERING (COMPLETE)	Z0020	TSE(V) 93-100		1	X	UFB	
C03908	009	PLUG, END, DRAG LINK	Z0020	TSEV93-1		2	X	UFB	
C03909	010	WASHER, FLAT, RD, STEEL, 0.861 IN. ID, 1.468 IN. OD, 0.222 IN. THKM HOLE CHAMFERED BOTH SIDES	Z0020	DE(V) 94-546		1	X	UFB	

GROUP GB

RPS02031



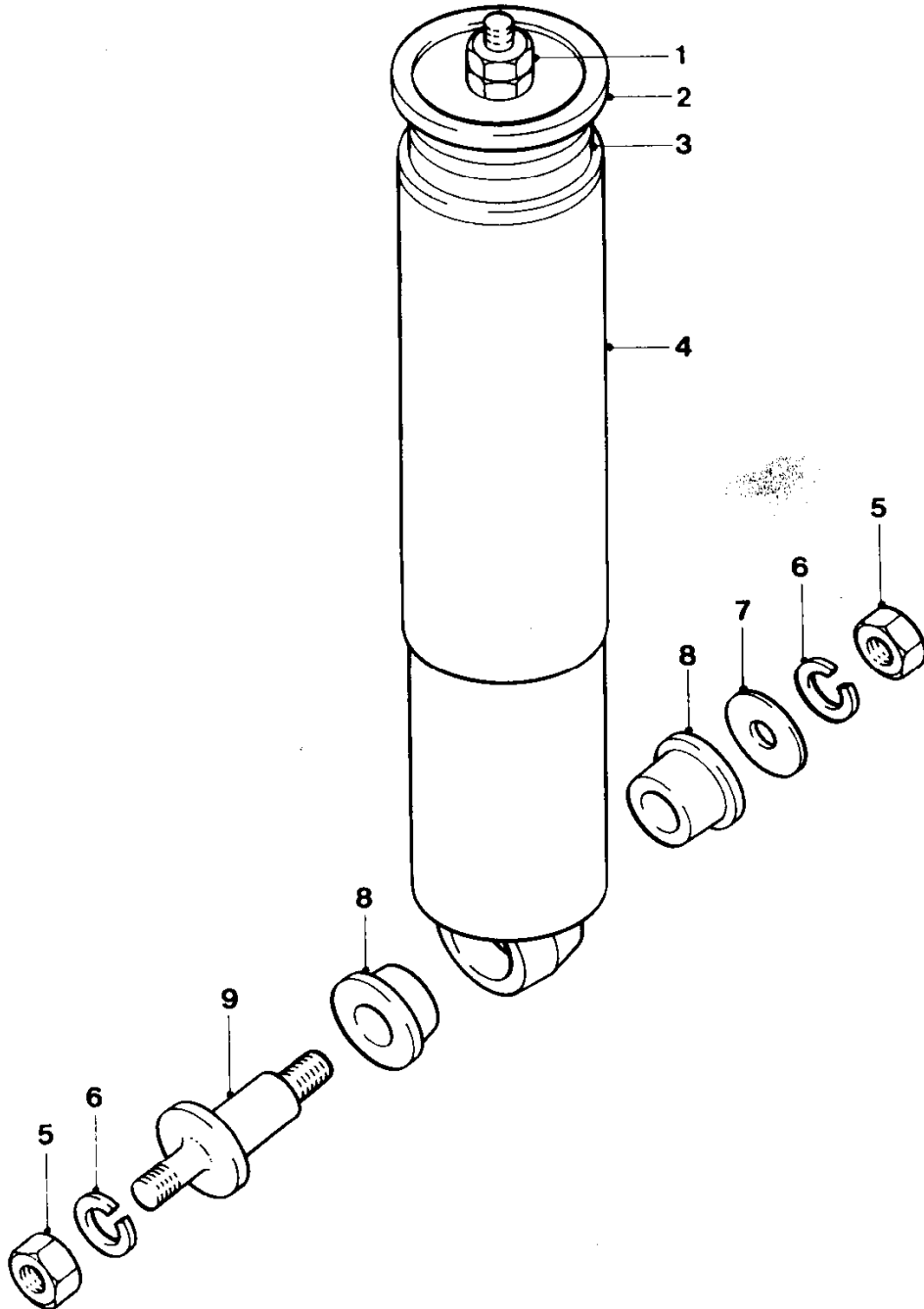
FRONT AND REAR SPRINGS

SERIAL	NUMBER	GROUP & ITEM No.	DESIGNATION	MANUFACTURERS		NO. OFF	EXP. CLASS	LEVEL	OFF	REPAIR
				CODE	PART No.					
1	2	3	4	5	6	7	8			
003930	GB		FRONT AND REAR SPRINGS							
003931	001		PLATE, SPRING, RH	Z0020	ADEV94-197	1	X		PB	
003932	002		BOLT, U, UNF, 2A, STEEL, 7/8 IN. BY 14-5/8IN. LG	Z2813	ADEV94-198-1	2	X		PB	
003933	003		BOLT, U, UNF, 2A, STEEL, 7/8IN. BY 16-5/8IN. LG	Z2813	ADEV94-198-2	2	X		PB	
003934	004		BOLT, U, UNF, 2A, S STEEL, 7/8IN BY 16-3/8IN LG BY 3-1/16IN INSIDE DISTANCE BETWEEN SHANKS	Z2813	ADEV225-363	4	X		PB	
003935	000		WASHER, LOCK SPRING, STEEL, SINGLE TURN, RECTANGULAR SECTION, CAD PLATED, 7/8IN BOLT SIZE	K7766	1802	15	X		UPB	
003936	000		NUT, PLAIN, HEXAGON, UNF, 3B, STEEL, PHOSPHATED, CASE-HARDENED, FINISHED WASHER FACE, 7/8IN THD SIZE, 1.312IN W A/F, 1.156IN O/A H, 0.125IN C/BORE DEPTH, 60 DEG CSK	19207	5298551	16	X		UPB	
003937	005		BUMPER, RUBBER, SPRING	Z2813	ADE(V) 225-73	4	X		UPB	
003938	006		SEAT, SPRING, U BOLT	Z0020	ADEV225-72	4	X		UPB	
003939	007		SPRING ASSEMBLY, LEAF FRONT AND REAR	Z2813	TSEV93-64	4	N		UPB	
003940	008		BOLT, MACHINE, UNC, 2A, SAE GRADE 5 STEEL, HEX HD, ZINC COATED, 3/8IN BY 4IN LG	80204	B18-2	15	X		B	
003941	009		NUT, PLAIN, HEXAGON, UNC 2B, STEEL, FORMED, ZINC COATED, 3/8IN	80204	B18-2	15	X		B	
003942	010		TUBE, STEEL, MILD, WELDED DOUBLE WALL, COPPER COATED, 1/2 IN OD, 20 SWG (0.032 IN.) WALL THK	81343	J527	15	X		B	
003943	011		BOLT, MACHINE, W/NUT, MAINSPRING	31007	1089520R91	4	X		UPB	
003944	012		ALIGNMENT CLIP, LEAF SPRING			3				
003945	013		ALIGNMENT CLIP, LEAF SPRING			3				
003946	014		SHACKLE, LEAF SPRING ASSEMBLY, W/BUSHINGS FRONT & REAR	Z0009	856661R31	4	X		PB	
003947	015		BEARING, SLEEVE, 1.001IN MAX ID BY 1.125IN MAX OD BY 1.010IN MAX LG O/A	31007	63196H	8	X		PB	

SERIAL NUMBER	GROUP & ITEM No.	DESIGNATION	MANUFACTURERS		NO OF	EXP CLASS	LEVEL	OFF	REPAIR
			CODE	PART No.					
1	2	3	4	5	6	7	8		
003948	016	FITTING, LUBRICATION, HYDRAULIC TYPE, STEEL, 30 DEG, CAD OR ZINC COATED, 1/8IN DYRSEAL NPTF/M, W/BALL CHECK VALVE, 1-5/32IN MAX O/A H	8Q906	0P574	5	X			UPB
003949	017	PIN, SPRING SHACKLE	Z0009	857766R1	12	X			PB
003950	018	NUT, PLAIN, HEXAGON, UNF 2B, STEEL, FORMED, ZINC COATED, 1/2IN	8Q204	B18-2	5	X			UPB
003951	019	WASHER, LOCK, STEEL, SPRING, SINGLE TURN, RECTANGULAR SECTION, CAD PLATED, 1/2 IN. BOLT SIZE	K7766	1802	6	X			UPB
003952	020	BOLT, MACHINE, UNF, 2A, SAE GRADE 5 STEEL, HEX HD, ZINC COATED, 1/2IN BY 2-3/4IN LG, 1-1/2IN GRIP LG	8Q204	B18-2-1	6	X			UPB
003953	021	BEARING, SLEEVE, FRONT AND REAR SPRING EYE	Z0020	TSEV93-837	4	X			PB
003954	022	SPRING ASSEMBLY, LEAF AUXILIARY REAR	Z0020	TSEV93-65	2	N			UPB
003955	023	PLATE, REAR SHOCK ABSORBER LOWER MOUNTING	Z0020	TSEV93-553	2	X			PB
003956	000	BOLT, MACHINE, UNF, 2A, SAE GRADE 5 STEEL, HEX HD, ZINC COATED, 1/2IN BY 1-1/2IN LG	8Q204	B18-2	4	X			UPB
003957	000	NUT, PLAIN, HEXAGON, UNF 2B, STEEL, FORMED, ZINC COATED, 1/2IN	8Q204	B18-2	4	X			UPB
003958	000	WASHER, LOCK, STEEL, SPRING, SINGLE TURN, RECTANGULAR SECTION, CAD PLATED, 1/2 IN. BOLT SIZE	K7766	1802	4	X			UPB
003959	024	SCREW, MACHINE, UNF, 2A, STEEL, FLAT FILLISTER HD, SLOT DRIVE, 3/8IN. BY 3-1/4IN. LG	31007	58 688 R1	2	X			UPB
003960	025	PLATE, REAR SPRING CLIP	Z0020	ADEV225-710	2	X			PB
003961	026	SPACER AUXILIARY SPRING	31007	93970R1	2	X			PB
003962	027	PLATE, SPRING, LH	Z0020	ADEV94-196	1	X			PB

GROUP GC

RPS02031

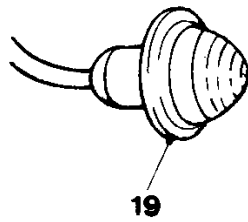
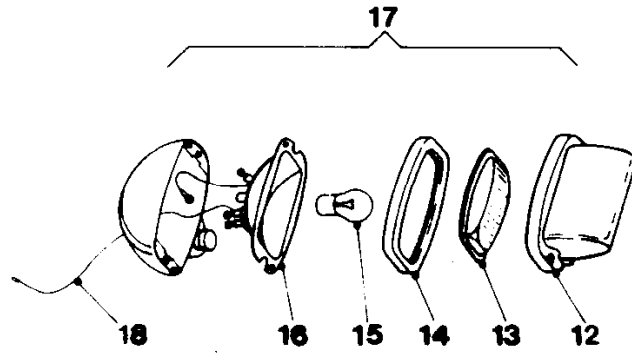
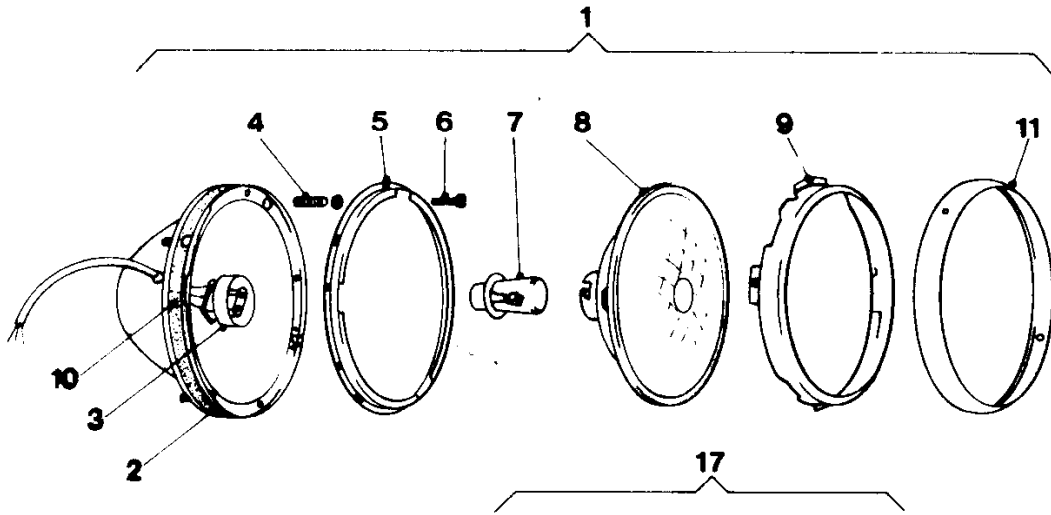


SHOCK ABSORBERS

S E R I A L	N U M B E R	G R O U P & I T E M N o.	D E S I G N A T I O N	M A N U F A C T U R E R S		N O O F	E X P C L A S S	L E V E L	O F	R E P A I R
				C O D E	P A R T N o.					
1	2	3	4	5		6	7	8		
003983	GC	SHOCK ABSORBERS								
003984	001	NUT, SELF-LOCKING, HEXAGON, UNF, 2B, P STEEL, CAD PLATED, 3/4 IN.	Z0066	125-39-1		3	X			UPB
003985	002	CAP, END, UPPER MOUNTING	Z0020	TSEV93-1067		4	X			UPB
003986	003	BUSHING, RUBBER, SYNTHETIC, FLANGED, 1 IN. ID, 1.348 IN. OD, 1.203 IN. O/A LG, FLANGE 3 IN. DIA, 0.938 IN. THK	Z0066	125-32-1		8	X			UPB
003987	004	SHOCK ABSORBER, DIRECT ACTION	Z0020	TSEV93-554		4	X			UPB
003988	005	NUT, PLAIN, HEXAGON, UNF 2B, STEEL, FORMED, ZINC COATED, 3/4 IN	80204	B18-2		3	X			UPB
003989	006	WASHER, LOCK SPRING STEEL, SINGLE TURN, RECTANGULAR SECTION, CAD PLATED, 3/4 IN BOLT SIZE	Z0745	3-4 BOLT D		3	X			UPB
003990	007	BUSHING, RUBBER, SYNTHETIC, DOUBLE TAPERED, 1 IN. ID, 1.880 IN. OD, 0.991 IN. O/A LG	Z0066	125-34		4	X			UPB
003991	008	BUSHING, RUBBER, SYNTHETIC, DOUBLE TAPERED, 1 IN. ID, 1.880 IN. OD, 0.991 IN. O/A LG	Z0066	125-34		8	X			UPB
003992	009	STUD, SHOULDERED, SHOCK ABSORBER LOWER MOUNTING	Z0020	TSEV93-58		4	X			UPB

GROUP HA

RPS02031



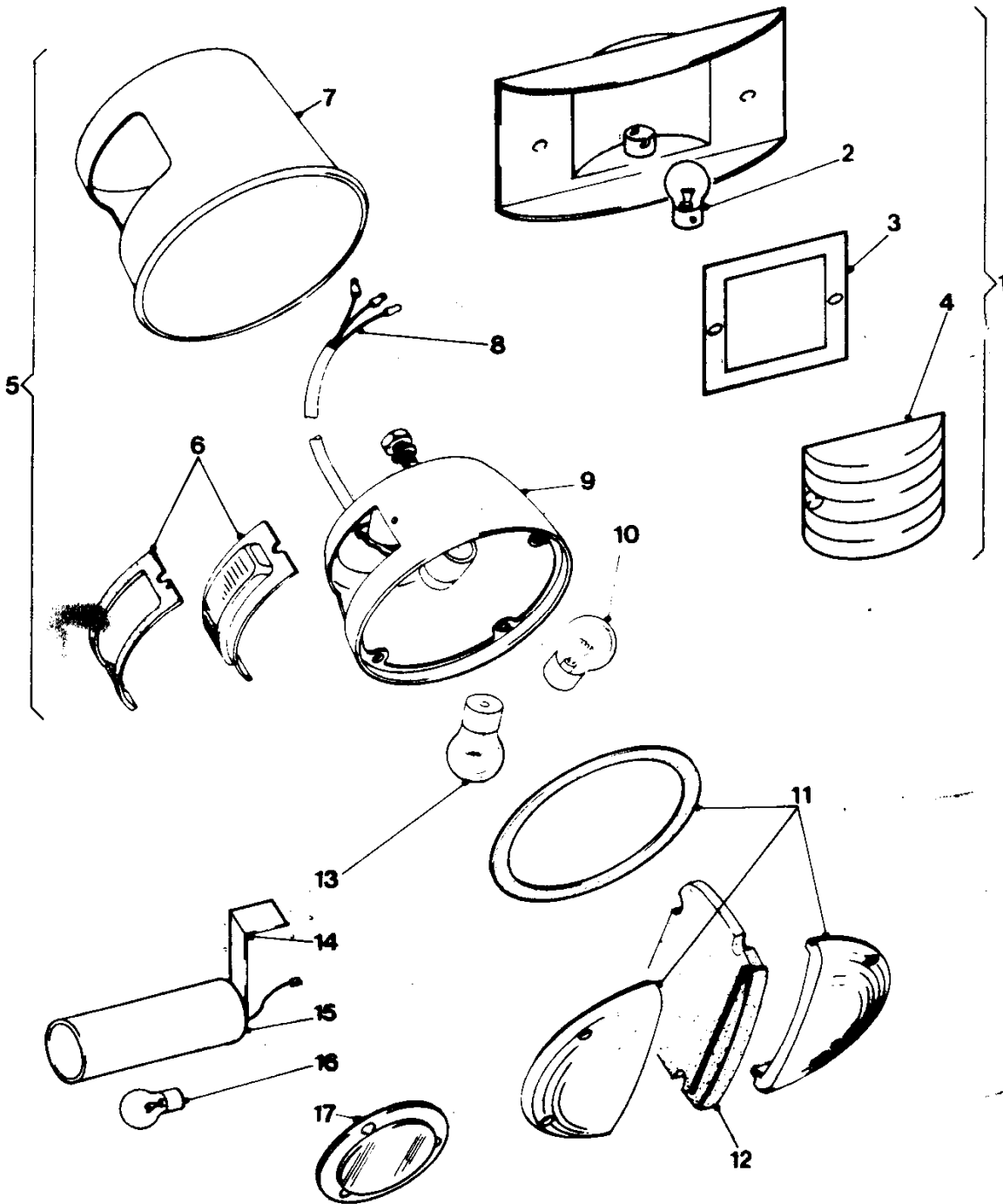
FRONT LIGHTS

SERIAL NUMBER	GROUP & ITEM No.	DESIGNATION	MANUFACTURERS		NO OFF	EXP. CLASS	LEVEL OF REPAIR
			CODE	PART No.			
1	2	3	4	5	6	7	8
003997	HA	FRONT LIGHTS					
003998	001	HEADLIGHT, W/12V 50/40 WATT LAMP	Z0027	62957075	2	X	PB
003999	000	SCREW, TAPPING, THREAD FORMING, STEEL, PAN HD, SLOTTED, GIMLET POINT, NO 10 BY 5/8 IN	8Q204	B18-6-4	10	Z	PB
004000	000	NUT, SHEET SPRING	K0049	445403	10	X	PB
C04001	002	BODY ASSEMBLY HEADLAMP			2		
004002	000	BRACKET, RIM FIXING	K0049	555704	2	X	PB
004003	003	ADAPTOR ASSEMBLY, HEADLIGHT, W/CABLE	K0049	62840106	2	X	UPB
C04004	004	SPRING, HELICAL, COMPRESSION TRIMMER	K0049	552813	5	X	PB
C04005	005	RIM, SEATING, LIGHT UNIT	K0049	554871	2	X	B
004006	006	SCREW, ASSEMBLED WASHER	U1725	16E20361	6	X	UPB
C04007	007	LAMP, INCANDESCENT, 12 V, 50/40 W, BPF P22D BASE, T SHAPE, CLEAR	Z0113	414	2	X	UPB
C04008	008	LIGHT UNIT, HEADLIGHT, NO 1, MK 1	K0049	553921	2	X	UPB
004009	009	RIM, LIGHT UNIT RETAINING	K0049	62570411	2	X	UPB
004010	000	SCREW, TAPPING, THREAD FORMING, RD HD, STEEL, ZINC COATED, NO. 6 BY 3/16 IN. LG	Z0027	186137	6	X	UPB
004011	010	GASKET, HEADLIGHT	Z2813	ADEV 225-311	2	X	UPB
004012	011	RIM, HEADLIGHT, GREEN, 6-3/8IN DIA RIM	Z2813	ADE (V) 225-285	2	X	UPB
004013	000	SCREW, MACHINE, RIM FIXING	K0049	198913	2	X	UPB
004014	000	WASHER, FLAT, RUBBER, 0.125 IN. ID BY 0.375 IN. OD BY 0.047 IN. THK	K0049	161385	2	X	UPB
004015	000	EXCLUDER, DUST, RUBBER	K0049	7083353	2	X	UPB
004016	012	RIM, BLACKOUT HEADLIGHT	Z0645	1-5110-02	2	X	UPB
004017	013	LENS, HEADLIGHT, BLACKOUT	Z0645	E2500101	2	X	UPB
004018	014	GASKET, LENS SEALING	Z0645	E1-5109-02	2	X	UPB
004019	015	LAMP INCANDESCENT, 12V 21W, SINGLE CONTACT BAYONET CANDELABRA (BA15-S) BASE, "S" SHAPE, CLEAR	Z0275	382	2	X	UPB
004020	016	REFLECTOR, HEADLIGHT, BLACKOUT	Z0645	E1510903	2	X	PB

S E R I A L	N U M B E R	G R O U P & I T E M N o.	D E S I G N A T I O N	M A N U F A C T U R E R S		N O O F F	E X P L O S E S	L E V E L	O F	R E P A I R
				C O D E	P A R T N o.					
1	2	3	4	5	6	7	8			
004021	017	HEADLAMP, BLACKOUT ASSEMBLY (COMPLETE WITH LAMP AND CABLE)	D8095	1XA001512-00	2	X	UPB			
004022	018	CABLE BLACKOUT, HEAD LIGHT			2					
004023	019	LIGHT, PARKING, LESS GLOBE	Z0027	62957047A	2	X	UPB			
004024	000	RIM, PARKING LIGHT	K0049	62570416	2	X	UPB			
004025	000	LENS, PARKING LIGHT, CLEAR	K0049	572715	2	X	UPB			
004026	000	BULB HOLDER			2					
004027	000	BODY RUBBER			2					
004028	000	FERRULE ELECTRICAL CONDUCTOR			2					
004029	000	LAMP, INCANDESCENT, 12 V, 21/6 W, DOUBLE CONTACT BAYONET CANDELABRA INDEXING (BAY 15D) BASE, "S" SHAPE, CLEAR	D8220	7528	2	X	UPB			
004030	000	SCREW, TAPPING, THREAD FORMING, STEEL PAN HD, SLOTTED, DOG TYPE POINT, NO 8 BY 1/2 N	80204	B18-6-4	12	X	UPB			
004031	000	SCREW, TAPPING, THREAD FORMING, STEEL, PANHD, SLOTTED, DOG TYPE POINT, NO. 10 BY 1/2IN. LG	23040	33184S2	2	X	UPB			
004032	000	WASHER, LOCK, SPRING, STEEL, SINGLE TURN, CAD OR ZINC PLATED, 3/16 IN., 2 BA OR 10 UN SCREW SIZE	K7766	1802	2	X	UPB			

GROUP HAA

RPS02031



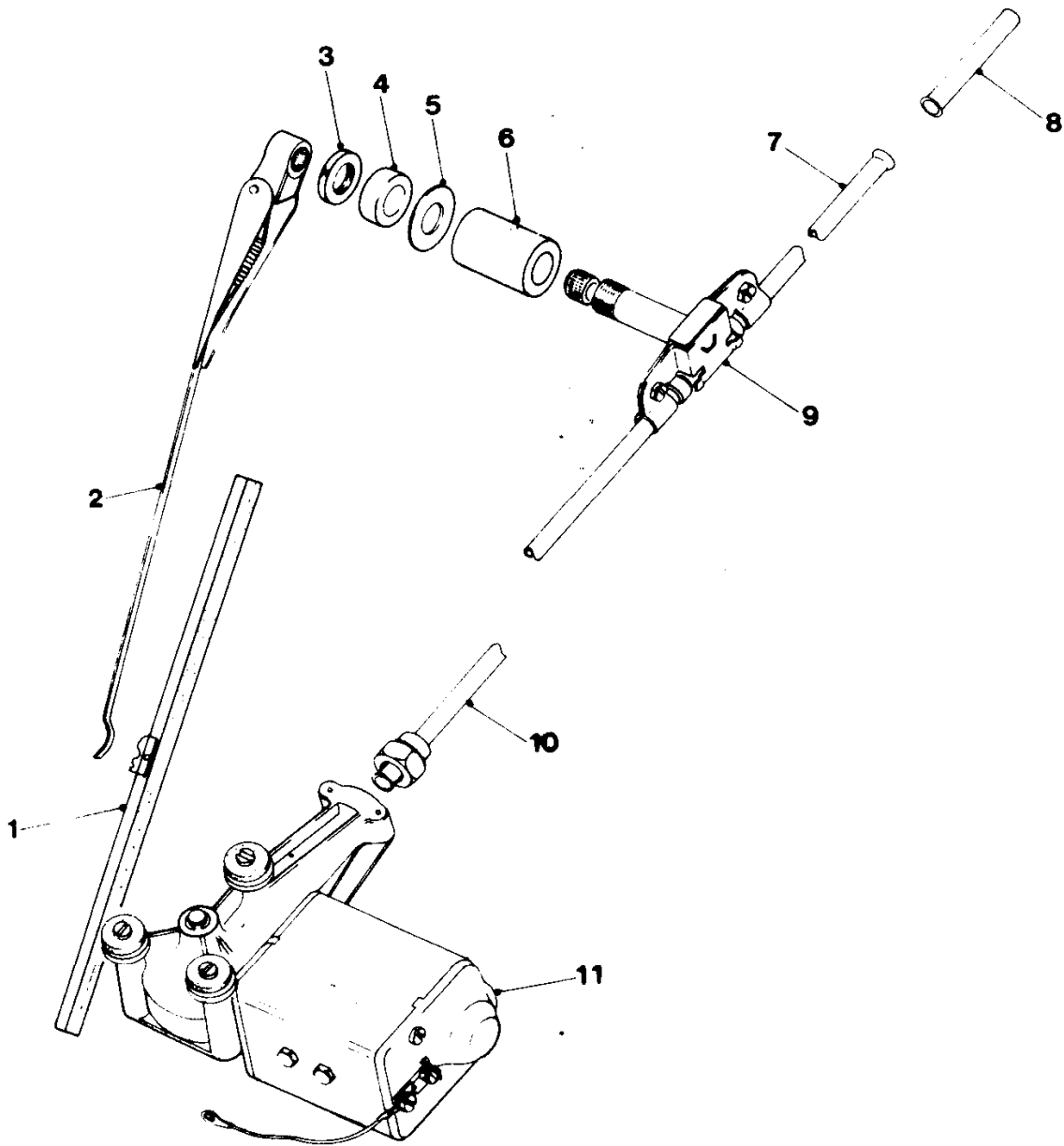
SIDE CLEARANCE AND REAR LIGHTS

S E R I A L	N U M B E R	G R O U P & I T E M N o.	D E S I G N A T I O N	M A N U F A C T U R E R S		N O O F F	E X P L O S I V E	L E V E L O F	R E P A I R
				C O D E	P A R T N o.				
1	2	3	4	5	6	7	8		
004053	HAA	SIDE CLEARANCE AND REAR LIGHTS							
004054	001	LIGHT, MARKER, CLEARANCE	Z0645	2037		2	X	UFB	
004055	002	LAMP, INCANDESCENT, 12V, 5 W, BRASS FERRULES BASE, "CYL" SHAPE, CLEAR	Z0645	L125		2	X	UFB	
004056	003	GASKET, RUBBER (NOT USED ON HELLA REPLACEMENT)				2			
004057	004	LENS, CLEARANCE MARKER LIGHT	Z0645	2-9800-01		2	X	UFB	
004058	005	STOPLIGHT-TAILLIGHT, VEHICULAR, W/ DIRECTIONAL INDICATOR LIGHT	Z0645	905216-01		2	X	UFB	
004059	006	LENS, STOPLIGHT-TAILLIGHT, WHITE, W/GASKET	Z0060	H203WKIT		2	X	UFB	
004060	000	SCREW, MACHINE, BSW, MEDIUM FIT, STEEL, BUTTON HD, 5/32IN BY 1/4IN				2	X	UFB	
004061	000	NUT, PLAIN, HEXAGON, BSW FREE FIT, STEEL, 5/32IN	Z0544	B50		2	X	UFB	
004062	000	WASHER, LOCK, SPRING STEEL, SINGLE TURN, RECTANGULAR SECTION, CAD PLATED, 5/32IN, NO.3 BA OR 8UN SCREW SIZE	82423	10430		2	X	UFB	
004063	000	WASHER, FLAT, HD, STEEL, ZINC COATED, 3BA, 8UN OR 5/32IN SCREW SIZE, 3/8IN OD, 0.036IN THK	81580	100080		2	X	UFB	
004064	007	COVER, TAILLIGHT	Z2813	ADE(V) 225-752		2	X	UFB	
004065	008	CABLE (NOT SERVICED)							
004066	009	BODY (NOT SERVICED)							
004067	010	LAMP INCANDESCENT, 12V 21W, SINGLE CONTACT BAYONET CANDELABRA (BA15-S) BASE, "S" SHAPE, CLEAR	Z0275	382		2	X	UFB	
004068	011	LENS, STOPLIGHT-TAILLIGHT, RED AND AMBER, W/RUBBER DIVIDER AND GASKET	Z0645	9EL-905-246-00		2	X	UFB	
004069	012	RUBBER STRIP SOLID, DIVISION TAIL LIGHT	Z0009	857944R91		2	X	UFB	
004070	013	LAMP, INCANDESCENT, 12 V, 6 TO 21 CP, DOUBLE CONTACT BAYONET BASE, "S" SHAPE, CLEAR	Z0113	12503		2	X	UFB	
004071	014	BRACKET, ANGLE, ENVOY LIGHT MOUNTING	Z0020	ADEV225-		1	X	UFB	
004072	015	LIGHT, MARKER, CLEARANCE, CONVOY	Z2813	TSEV93-841		1	X	UFB	

SERIAL	NUMBER	GROUP & ITEM No.	DESIGNATION	MANUFACTURERS		NO OF	EXPL CLASS	LEVEL	OFF	REPAIR
				CODE	PART No.					
1	2		3	4	5	6	7	8		
004073	016		LAMP, INCANDESCENT, 12 V, 3 W, SINGLE CONTACT BAYONET (BA15'S) BASE, G-6 SHAPE CLEAR	Z0113	12811	1	X	UFB		
004074	000		CABLE ASSY, CONNECTOR TO CONVOY LIGHT			1				
004075	017		REFLECTOR, INDICATING, CLEARANCE, PLASTIC, RED, 3 IN. DIA LENS, 4-1/2 IN. O/A DIA	Z0083	96	2	X	UFB		

GROUP HB

RPS02031

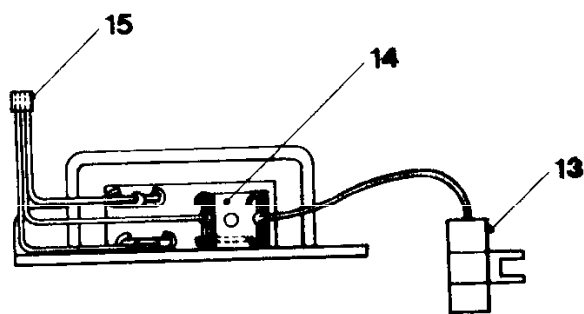
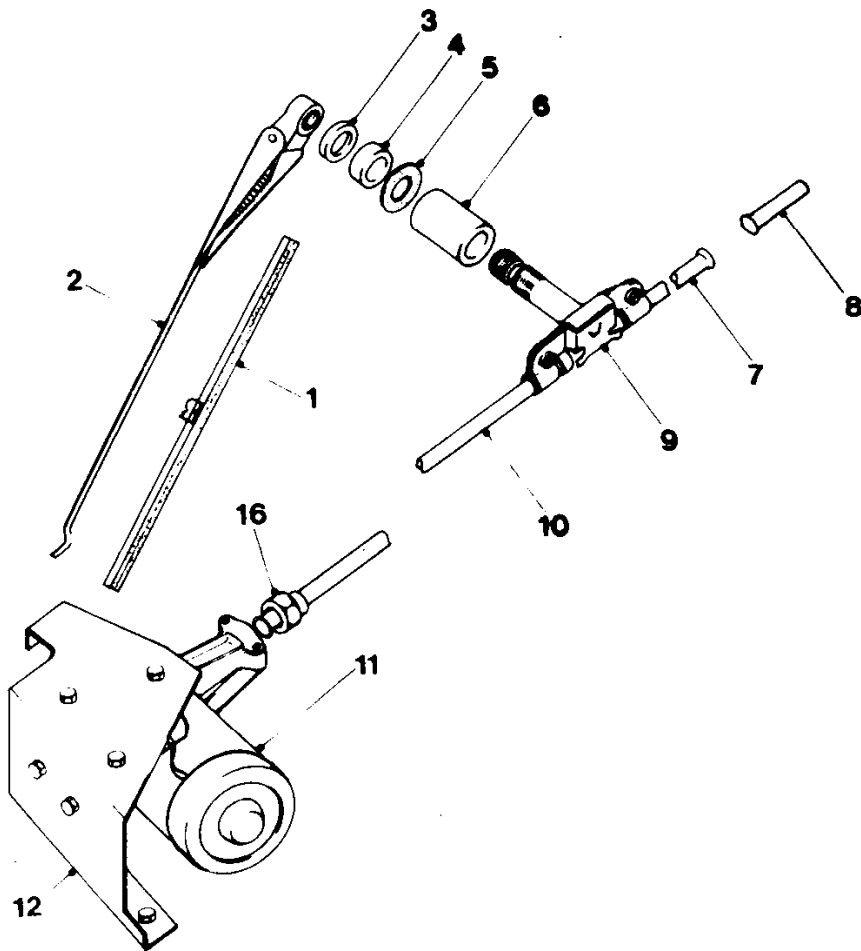


WINDSCREEN WIPERS UNMODIFIED (SQUARE TYPE MOTOR)

SERIAL NUMBER	GROUP & ITEM No.	DESIGNATION	MANUFACTURERS		NO OFF	EXPL CLASS	LEVEL OF REPAIR
			CODE	PART No.			
1	2	3	4	5	6	7	8
004096	HB	WINDSCREEN WIPERS, UNMODIFIED (SQUARE TYPE MOTOR)					
004097	001	BLADE, WINDSHIELD WIPER, 13IN LGO	Z0027	A21004	2	X	UPB
004098	002	ARM, WINDSHIELD WIPER	Z0867	15670	2	X	UPB
004099	003	NUT, PLAIN, HEXAGON, ESB, MEDIUM FIT, BRASS, 5/8 IN., 0.820 IN. W A/P, 3/16 IN. THK	Z0020	ADEV225-563	2	X	UPB
004100	004	SPACER WHEELBOX - THIN			2		
004101	005	WASHER, NON-METALLIC, RUBBER, 1-1/4IN.OD, 5/8 IN. ID, 1/32 IN. THK	Z0009	857921R1	2	X	UPB
004102	006	SPACER, SLEEVE STEEL, CAD OR ZINC COATED, 0.630IN ID, 1IN OD, 0.40IN THK	Z2813	ADE (V) 225-188	2	X	B
004103	007	PIPE, ASSEMBLY, WINDSCREEN WIPER, WHEELBOX TO WHEELBOX	Z0020	ADEV225-168	1	X	B
004104	008	PIPE ASSEMBLY, WINDSCREEN WIPER, WHEELBOX, END	Z0020	ADEV225169	1	X	B
004105	009	WHEELBOX ASSEMBLY, WINDSCREEN WIPER	Z0027	62971009A	2	X	B
004106	000	RACK ASSEMBLY	K0049	62710206A	1	X	B
004107	010	PIPE ASSEMBLY, WINDSCREEN WIPER, MOTOR LO WHEEL BOX, USEED ON MOTOR 2540-66-018-3493	Z0020	ADEV225-167	1	X	B
004108	011	MOTOR WINDSHIELD WIPER, 12V, SQUARE TYPE (USE MODIFICATION KIT GROUP HBA)			1		
004109	000	CAPACITOR, FIXED, PLASTICS DIELECTRIC 50000 PF PQRM 25 PCT, 125 VDC WKG	Z0030	PNT601	1	X	UPB

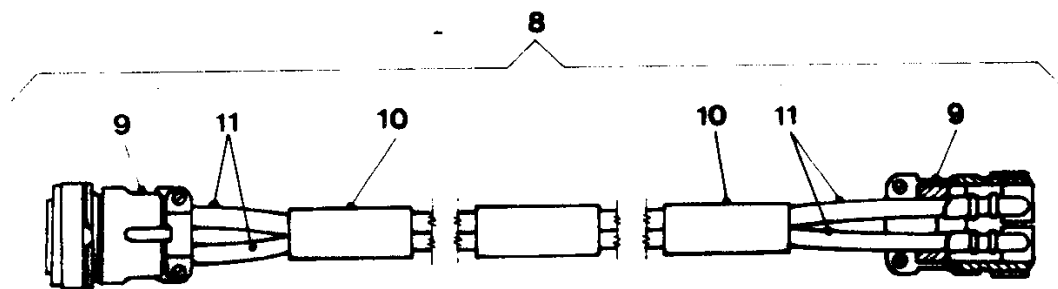
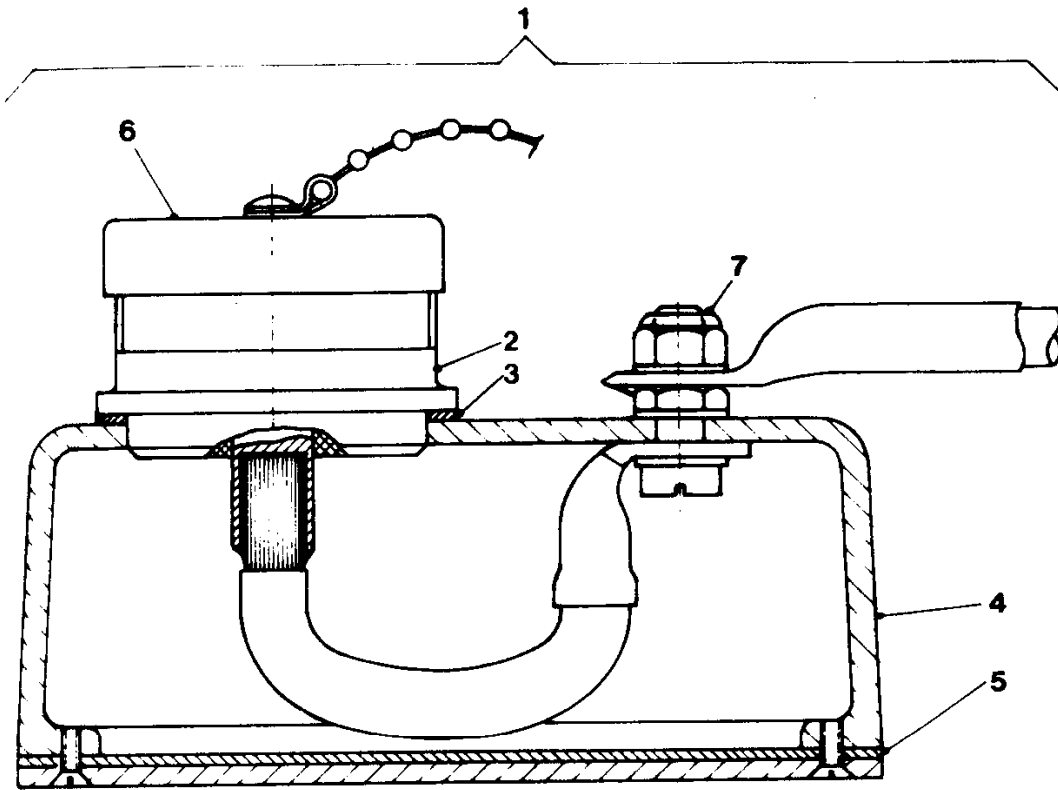
GROUP HBA

RPS02031



WINDSCREEN WIPERS - MODIFIED (ROUND MOTOR TYPE)

SERIAL	NUMBER	GROUP & ITEM No.	DESIGNATION	MANUFACTURERS		NO OFF	EXPL CLASS	LEVEL	FO	P
				CODE	PART No.					
1	2		3	4	5	6	7	8		
004130	HBA		WINDSCREEN WIPERS - MODIFIED (ROUND MOTOR TYPE)							
004131	000		MODIFICATION KIT, WINDSHIELD WIPER MOTOR, COMPLETE (CONSISTS OF SERIALS 4134, 4140, 4143, 4144, 4146, 4147, 4149)	Z0020	ADEV207-1	1	X		FB	
004132	001		BLADE, WINDSHIELD WIPER, 13IN LGO	Z0027	A21004	2	X		UPB	
004133	002		ARM, WINDSHIELD WIPER	Z0867	15670	2	X		UPB	
004134	003		NUT, SPECIAL, 5/8IN-24 UNEF 1B	K0049	62710870	2	X		UPB	
004135	004		SPACER, WHEELBOX THIN			2				
004136	005		WASHER, NON-METALLIC, RUBBER, 1-1/4IN.OD, 5/8 IN. ID, 1/32 IN. THK	Z0009	857921R1	1	X		UPB	
004137	006		SPACER WHEELBOX, THICK			2				
004138	007		PIPE, ASSEMBLY, WINDSCREEN WIPER, WHEELBOX TO WHEELBOX	Z0020	ADEV225-168	1	X		B	
004139	008		PIPE ASSEMBLY, WINDSCREEN WIPER, WHEELBOX, END	Z0020	ADEV225169	1	X		B	
004140	009		WHEELBOX ASSEMBLY, WINDSHIELD WIPER	Z0027	62971041	2	X		B	
004141	000		RACK ASSEMBLY	K0049	62710206A	2	X		B	
004142	000		WASHER, NON-METALLIC, RUBBER, 1-1/4IN.OD, 5/8 IN. ID, 1/32 IN. THK	Z0009	857921R1	2	X		UPB	
004143	010		PIPE ASSEMBLY, WINDSHIELD WIPER, MOTOR TO WHEELBOX	Z0020	ADEV94-538	1	X		B	
004144	011		MOTOR, WINDSHIELD WIPER, ELECTRIC, 12 V, PERMANENT MAGNET TYPE 12 AOW	Z2813	ADEV94-535	1	X		UPB	
004145	000		PARTS KIT, WINDSHIELD WIPER MOTOR	Z0027	62710842	1	X		FB	
004146	012		PANEL ASSEMBLY, WINDSHIELD WIPER, LH	Z0020	ADEV94-536	1	X		B	
004147	013		CAPACITOR, FIXED, PLASTICS DIELECTRIC, 500000 PF PORM 25 PCT, 125 VDC WKG	Z0020	ADEV94-549	1	X		UPB	
004148	014		TERMINAL, QUICK DISCONNECT	Z0220	H942	1	X		UPB	
004149	015		CABLE, JUMPER, HARNESS TO WIPER MOTOR			1				
004150	000		TERMINAL, QUICK DISCONNECT			3				
004151	000		TERMINAL, LUG	Z0220	H1925	3	X		UPB	
004152	016		PIPE ASSEMBLY, WINDSHIELD WIPER, MOTOR TO WHEELBOX	Z0020	ADEV94-538	1	X		B	

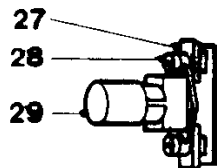
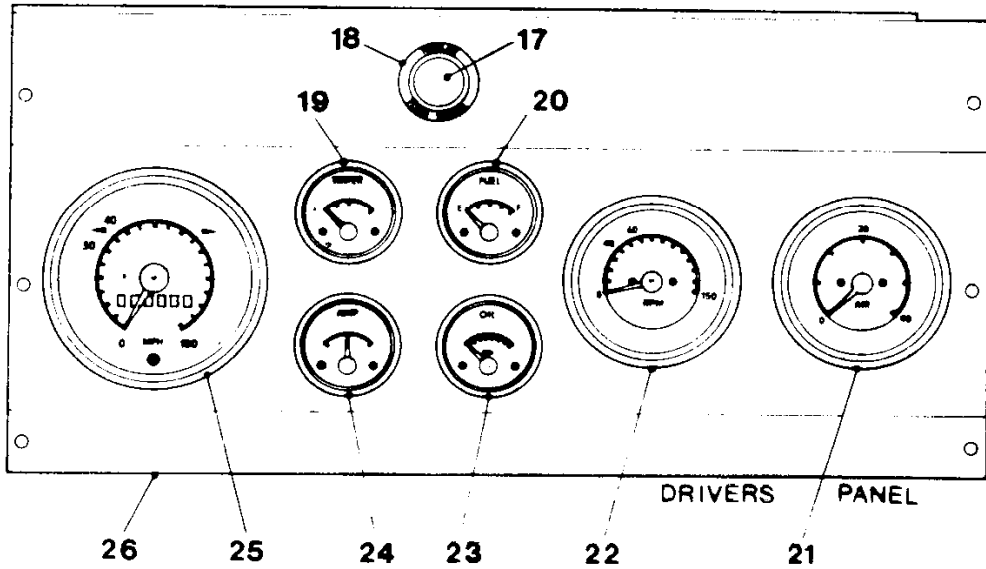
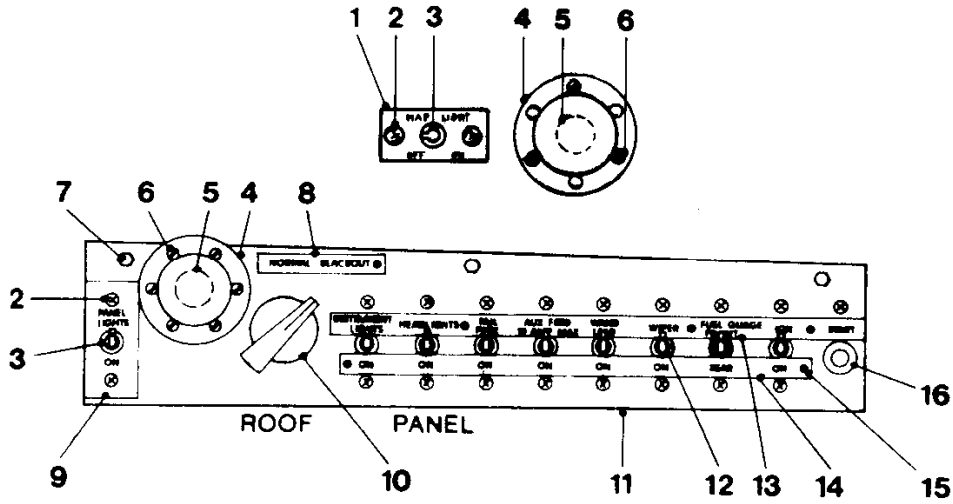


INTER VEHICLE STARTING CABLE AND CONNECTIONS

SERIAL NUMBER	GROUP & ITEM No.	DESIGNATION	MANUFACTURERS		NO. OFF	EXPL. CLASS	LEVEL OF REPAIR
			CODE	PART No.			
1	2	3	4	5	6	7	8
004173	HC	INTER VEHICLE STARTING CABLE AND CONNECTIONS					
004174	001	INTERCONNECTING BOX ASSEMBLY, VEHICLE STARTING	Z0020	ADE(V) 225-774	1	N	UPB
004175	002	CONNECTOR, RECEPTACLE, ELECTRICAL, INTER VEHICLE STARTING	Z0125	CA3102E32R473S	1	X	UPB
004176	003	GASKET, CORK, 1-7/8IN DIA OF APERTURE, 2-1/4IN W, 2-1/4DN LG	Z2813	ADEV225-778	1	X	UPB
004177	004	BASE, MOUNTING, INTERCONNECTING BOX, VEHICLE STARTING	Z0020	ADE(V) 225-775	1	X	UPB
004178	005	GASKET, CORK-SYNTHETIC RUBBER, 5.375IN O/A LG, 3.500IN O/A W, 0.062IN THK	Z2813	ADEV225-779	1	X	UPB
004179	006	COVER, ELECTRICAL CONNECTOR, C/W CHAIN, 2.125 IN. LIA BY 0.500 IN. LG	Z0125	CA2209-11	1	X	UPB
004180	007	NUT, SELF-LOCKING, HEXAGON, UNF, 2B, STEEL, ZINC COATED, W/NYLON INSERT, 5/16 IN. BOLT SIZE			2	X	UPB
004181	008	CABLE ASSY INTER VEHICLE STARTING					
004182	009	CONNECTOR, PLUG, ELECTRICAL, 2 CONTACTS, 2.953 IN. LG BY 2.218 IN. DIA	Z0125	CEAR734P	2	X	UPB
004183	010	INSULATION SLEEVING, ELECTRICAL, 1 IN. ID, BLACK	K1793	CP25BK	3)	X	B
004184	011	WIRE, ELECTRICAL, 792/0.20 MM, PVC V90 INSULATED, 600/1000 V	Z0544	AS3147	6)	X	B
004185	000	COVER, ELECTRICAL CONNECTOR, PLASTIC, 9/16 IN LG BY 2-9/64 IN DIA	Z0125	025-0489-000	2	X	UPB

GROUP HDA

RPS02031



INSTRUMENTS, SWITCHES, DIPSWITCH AND MAP LIGHT

S E R I A L	N U M B E R	G R O U P & I T E M N o.	D E S I G N A T I O N	M A N U F A C T U R E R S		N O O F F	E X P L O S I V E	R E P A I R
				C O D E	P A R T N o.			
1	2	3	4	5	6	7	8	
004206	HDA	INSTRUMENTS, SWITCHES DIPSWITCH AND MAP LIGHT						
004207	001	PLATE, INSTRUCTION, ALUMINIUM, SWITCH, INSCRIBED "MAP LIGHT", "CN OFF", SILVER CHARACTERS ON BLACK BACKGROUND, 2.500 IN. LG BY 1.250 IN. W BY 0.028 IN. THK	ZQ020	ADEV94-479	1	X	B	
004208	002	SCREW, MACHINE, UNF, 2A, MILD STEEL, PAN HD, SLOTTED, ZINC COATED, NO 10 BY 1/2IN	K7766	3155	22	X	UPB	
004209	000	NUT, PLAIN, HEXAGON, UNF, 2B, "A" STEEL, ZINC COATED, NO 10	K7766	3155	22	X	UPB	
004210	000	WASHER, LOCK STEEL, SHAKEPROOF, CAD PLATED, INTERNAL TYPE 12, 3/16IN, NO2BA OR NO10UN SCREW SIZE	Z0088	1210	22	X	UPB	
004211	003	SWITCH, TOGGLE SPDT (MAP LIGHT)	Z0024	D140	1	X	UPB	
004212	004	LIGHT, PANEL, W/O GLOBE, MAP READING OR NUMBER PLATE	Z2813	TSEV93-594	2	X	UPB	
004213	005	LAMP, INCANDESCENT, 12V, 5W, SINGLE CONTACT BAYONET CANDELABRA BASE (BA15S), "G" SHAPE, CLEAR	D8220	5007	2	X	UPB	
004214	006	SCREW, MACHINE, BA, MILD STEEL, CHEESE HD, SLOTTED, CAD. PLATED, NO. 4 BY 1/4IN.	Z1272	040-025	12	X	UPB	
004215	000	WASHER, LOCK, STEEL, CAD OR ZINC COATED, INTERNAL TYPE, 0.168 IN MIN ID, 0.325 IN MIN OD BY 0.018 IN MIN THK.	96906	MS35333-21	12	X	UPB	
004216	007	SCREW, MACHINE, UNF, 2A, SAE GRADE 5 STEEL, HEX HD, ZINC COATED, 1/4IN BY 1/2IN LG	Z1272	030-111	3	X	UPB	
004217	000	WASHER, LOCK, SPRING STEEL, SINGLE TURN, RECTANGULAR SECTION, CAD PLATED, 1/4IN BOLT SIZE	K7766	1802	3	X	UPB	
004218	008	PLATE, IDENTIFICATION, ALUMINIUM, NORMAL BLACKOUT, NATURAL ALUMINIUM INSCRIPTION ON BLACK BACKGROUND, 3 IN. LG BY 0.500 IN. W BY 0.020 IN. THK	Z0020	ADEV94-521	1	X	UPB	
004219	009	PLATE, IDENTIFICATION, PANEL LIGHT SWITCH	Z2813	ADEV225-680	1	X	UPB	
004220	010	SWITCH ROTARY, 2 POSN, PANEL MTD, AC/DC, QUICK BREAK 16-25 AMP	U0361	RP225ATB	1	X	UPB	

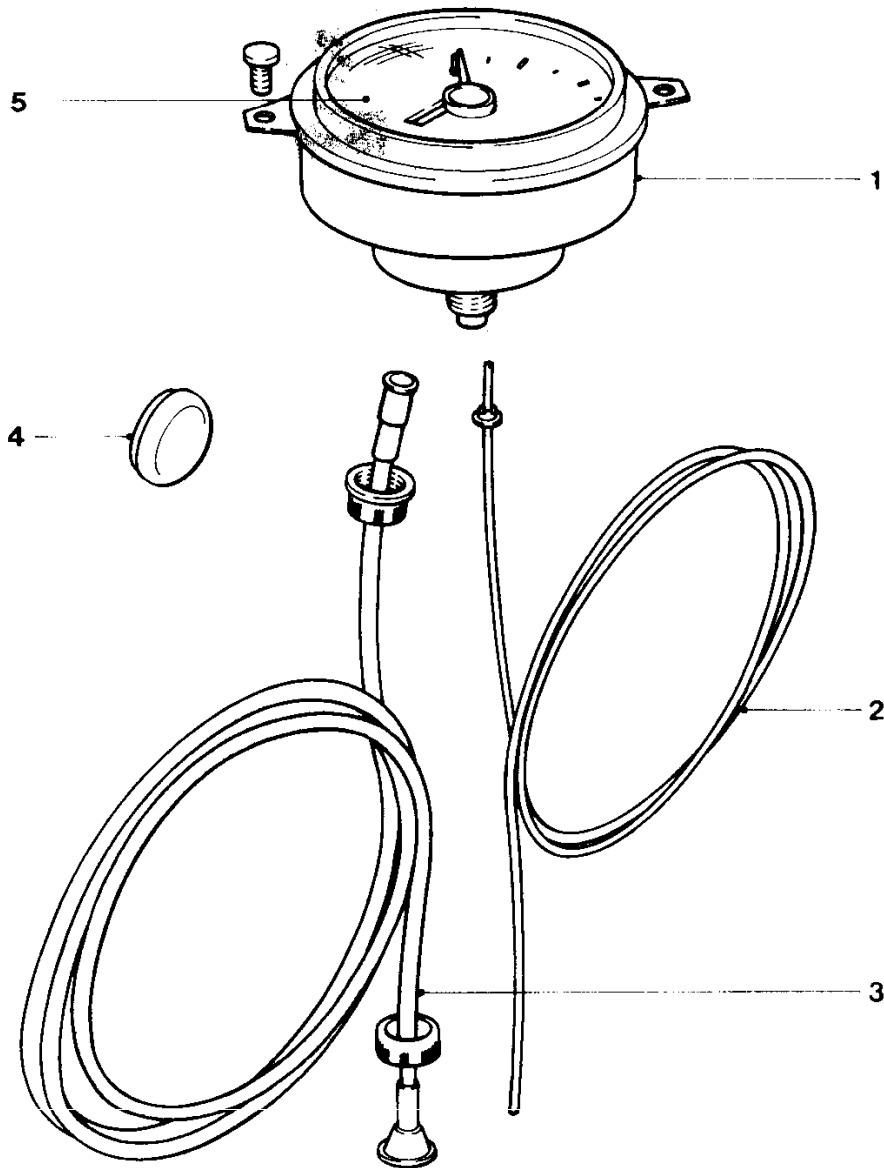
SERIAL	NUMBER	GROUP & ITEM No.	DESIGNATION	MANUFACTURERS		NO	OFF	EXPL. CLASS	LEVEL	REPAIR
				CODE	PART No.					
1	2	3	4	5	6	7	8			
004221	000		WASHER, LOCK, SPRING STEEL, SINGLE TURN, SQUARE SECTION, CAD PLTD, 3/16IN. BOLT SIZE	Z0745	3-16BOLT	2	X		UPB	
004222	000		SCREW, TAPPING, THREAD FORMING, STEEL, PAN HD, SLOTTED, GIMLET POINT, NO. 6 BY 3/8 IN	80204	B18-6-4	2	X		UPB	
004223	000		KNOB	UQ361	7913-1	1	X		UPB	
004224	011		PLATE, SWITCH MOUNTING	Z0020	ADEV94-524	1	X		FB	
004225	000		NUT, SHEET SPRING, STEEL, FOR NO. 8 SHEET METAL SCREW	Z0020	ADEV225-323	3	X		UPB	
004226	000		SCREW, TAPPING, THREAD FORMING, STEEL, PANED, SLOTTED, GIMLET POINT, NO. 8 BY 3/8 IN.	80204	B18-6-4	3	X		UPB	
004227	012		SWITCH, TOGGLE SPDT	Z0024	D140	1	X		UPB	
004228	013		PLATE, INSTRUCTION, ALUMINIUM, 11.370 IN. LG BY 0.500 IN. W BY 0.020 IN. THK, INSCRIBED W/VEHICLE CONTROL PANEL NAMES	Z2813	ADEV94-523	1	X		B	
004229	014		PLATE, DESIGNATION ALUMIUM, 11 1/4IN LG BY 1/2IN W BY 0.020 IN THK, INSCRIBED ON AND REAR	Z2813	ADE(V) 94-140	1	X		B	
004230	015		SCREW, TAPPING, THREAD FORMING, STEEL, HD, SLOTTED GIMLET POINT, NO 6 BY 3/8 IN	80204	B18-6-4	7	X		UPB	
004231	016		SWITCH, PUSH, STARTER	Z2848	PGM105	1	X		UPB	
004232	017		LIGHT, INDICATOR, MINIATURE, 12 V, 2 W, GREEN	ZQ645	2700	1	X		UPB	
004233	018		PLATE, INSTRUCTION LIGHT WARNING	Z2813	ADEV94-445	1	X		B	
004234	000		LAMP, INCANDESCENT, 12V, 2W, SINGLE CONTACT BAYONET (BA9S) BASE, "T" SHAPE, CLEAR	ZQ645	H122	1	X		UPB	
004235	019		INDICATOR, TEMPERATURE, ELECTRICAL RESISTANCE	Z2813	ADE(V) 94-217 ISSUE 5-4	1	X		UPB	
004236	020		INDICATOR, LIQUID QUANTITY, FUEL	Z0009	3209431R1	1	X		UPB	
004237	021		GAUGE, PRESSURE, DIAL INDICATING, AIR, 0-10KPAX 100	Z2813	ADE(V) 94-584 6620-66-067-5139 NX	1	X		UPB	
004238	022		GAUGE, PRESSURE, DIAL INDICATING, AIR, 0-10KPAX 100 (COMPLETE WITH CABLE - ADE(V) 225-290)	Z2813	ADE(V) 94-584	1	X		UPB	

SERIAL NUMBER	GROUP & ITEM No.	DESIGNATION	MANUFACTURERS		NO OFF	EXPL CLASS	LEVEL OF	PART
			CODE	PART No.				
1	2	3	4	5	6	7	8	
004239	023	GAUGE, PRESSURE, DIAL INDICATOR, OIL	Z0009	3209414-R1	1	X	UPB	
004240	024	AMMETER, DC, 50-0-50	Z1315	190301	1	X	UPB	
004241	025	SPEEDOMETER (REFER GROUP HDB)			1			
004242	000	LAMP INCANDESCENT, 12 TO 16 V, 2.2 W, MCC, "G" SHAPE. (INSTRUMENTS)	Z0113	12910	12	X	UPB	
004243	000	LAMP, INCANDESCENT, 12V, 2W, SINGLE CONTACT BAYONET (BA9S) BASE, "T" SHAPE, CLEAR (AIR GAUGE)	Z0645	H122	1	X	UPB	
004244	026	PANEL INSTRUMENT			1			
004245	000	SCREW, MACHINE, UNF, 2A, MILD STEEL, FIL HD, SLOT DRIVE, ANNE COATED, L 1/4 IN. BY 1/2 IN.	Z0544	B149	5	X	JPB	
004246	000	WASHER, LOCK STEEL, SHAKEROOF, CAD PLATED, INTERNAL TYPE 12, 1/4IN (OBA) BOLT SIZE	Z0088	1214	5	X	UPB	
004247	027	NUT, SHEET SPRING, UNF, STEEL, NO. 10 SCREW SIZE	Z0009	867700R91	2	X	UPB	
004248	000	WASHER, LOCK, SPRING, STEEL, SINGLE TURN, CAD OR ZINC PLATED, 3/16 IN., 2 BA OR 10 UN SCREW SIZE	K7766	1802	5	X	UPB	
004249	028	SCREW, MACHINE, UNF, 2A, MILD STEEL, RAISED CHEESE HD, SLOTTED, ZINC COATED, NO. 10 BY 5/8 IN.	K7766	3155	2	X	JPB	
004250	029	SWITCH, BEAM SELECTING, HEADLIGHT	Z0024	DS8	1	X	UPB	
004251	000	SCREW, MACHINE, UNF, 2A, 'S' STEEL, HEX HD, ZINC COATED NO 10 BY 1/2IN			3	X	JPB	
004252	000	WASHER, FLAT, RD, STEEL, ZINC COATED, LARGE, 2EA, 10 UN OR 3/16 IN. SCREW SIZE	Z0544	B85	3	X	UPB	
004253	000	NUT, PLAIN, HEXAGON, UNF, 2B, "A" STEEL, ZINC COATED, NO 10	K7766	3155	3	X	UPB	
004254	000	ADAPTOR AND NIPPLE ASSEMBLY, 2 PIN	U1725	16E20272	1	X	UPB	
004255	000	SCREW, MACHINE, UNC, 2A, STEEL, RD HD, SLOTTED, CAD.PLATED, NO.4 BY 1 IN.LG	24617	132664	2	X	UPB	

SERIAL	NUMBER	GROUP & ITEM No.	DESIGNATION	MANUFACTURERS		NO OF	EXPLAS	LEVEL	REPAIR
				CODE	PART No				
1	2	3	4	5		6	7	8	
004256	000		NUT, PLAIN, HEXAGON, UNC, 2B, STEEL, CAD PLATED W/CHROMATE, NO. 4, 1/4 IN. W A/F BY 0.098 IN. H O/A	96906	MS35649-242	2	X	UFB	
004257	000		WASHER, LOCK STEEL, SHAKEPROOF, CAD PLATED, INTERNAL TYPE 12, 7/64IN NO6 BA OR NO4 UN SCREW SIZE	Z1272	038-290	2	X	UFB	
004258	000		CABLE WANDERING LEAD GROUND			1			
004259	000		TRANSMITTER, TEMPERATURE, ELECTRICAL RESISTANCE	Z1315	CAS375	1	X	UFB	
004260	000		TRANSMITTER, PRESSURE, OIL	Z0009	884762R3	1	X	UFB	
004261	000		ADAPTOR, THERMOMETER SOCKET, WATER TEMPERATURE SENDER	Z0009	886602R1	1	X	UFB	
004262	000		LAMPHOLDER (ALSO PART OF SERIAL 4240)	Z1315	240-009	1	X	UFB	
004263	000		LAMP, INCANDESCENT, 12V, 2 CP, WEDGE BASE, CLEAR	Z0113	194	1	X	UFB	

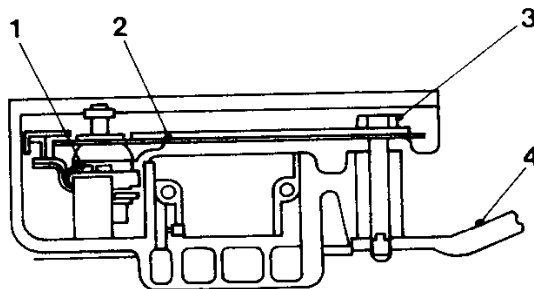
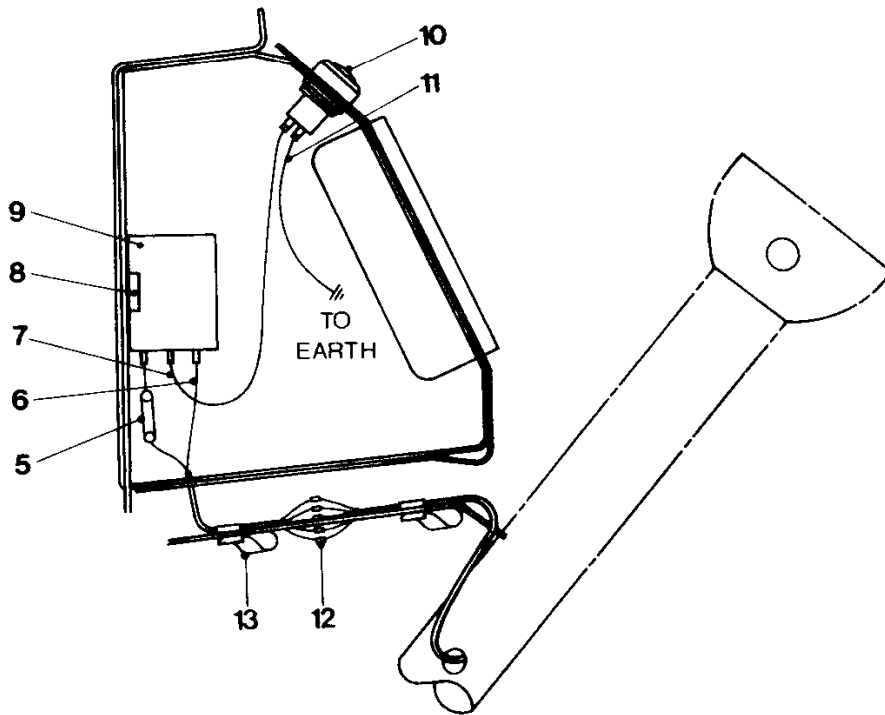
GROUP HDB

RPS02031



SPEEDOMETER

S E R I A L	N U M B E R	G R O U P & I T E M N o	D E S I G N A T I O N	M A N U F A C T U R E R S		N O N O P T I	E X P L O S I O N	L E V E L	R E P A I R
				C O D E	P A R T N o.				
1	2	3	4	5	6	7	8		
004270	HDB	SPEEDOMETER							
004271	001	SPEEDOMETER, 0-160KM/H	Z0009	3206318R1		1	N	UPB	
004272	002	CORE, FLEXIBLE SHAFT ASSEMBLY, FRONT	Z0009	852773R9		1	X	UPB	
004273	000	CORE, FLEXIBLE SHAFT ASSEMBLY, SPEEDOMETER, REAR	Z0009	853611R1		1	X	UPB	
004274	003	SHAFT ASSEMBLY, FLEXIBLE, SPEEDO DRIVE, FRONT SECTION	Z0009	851798E9		1	X	UPB	
004275	000	SHAFT ASSEMBLY, FLEXIBLE, SPEEDO DRIVE REAR SECTION	Z0009	854536R9		1	X	UPB	
004276	004	GROMMET, NONMETALLIC, SYNTHETIC RUBBER, SPLIT TYPE, 1-7/16 IN. OD, 1-1/16 IN. OD FLANGE, 5/32 IN. THK FLANGE, 5/16 IN. ID, 3/8 IN. O/A H, 1/16 IN. W GROOVE	31007	1404Y		1	X	UPB	
004277	005	GLASS, SPEEDOMETER	31007	913067R1		1	X	FB	
004278	000	CABLE ENGINE COMPARTMENT CLIP				1			

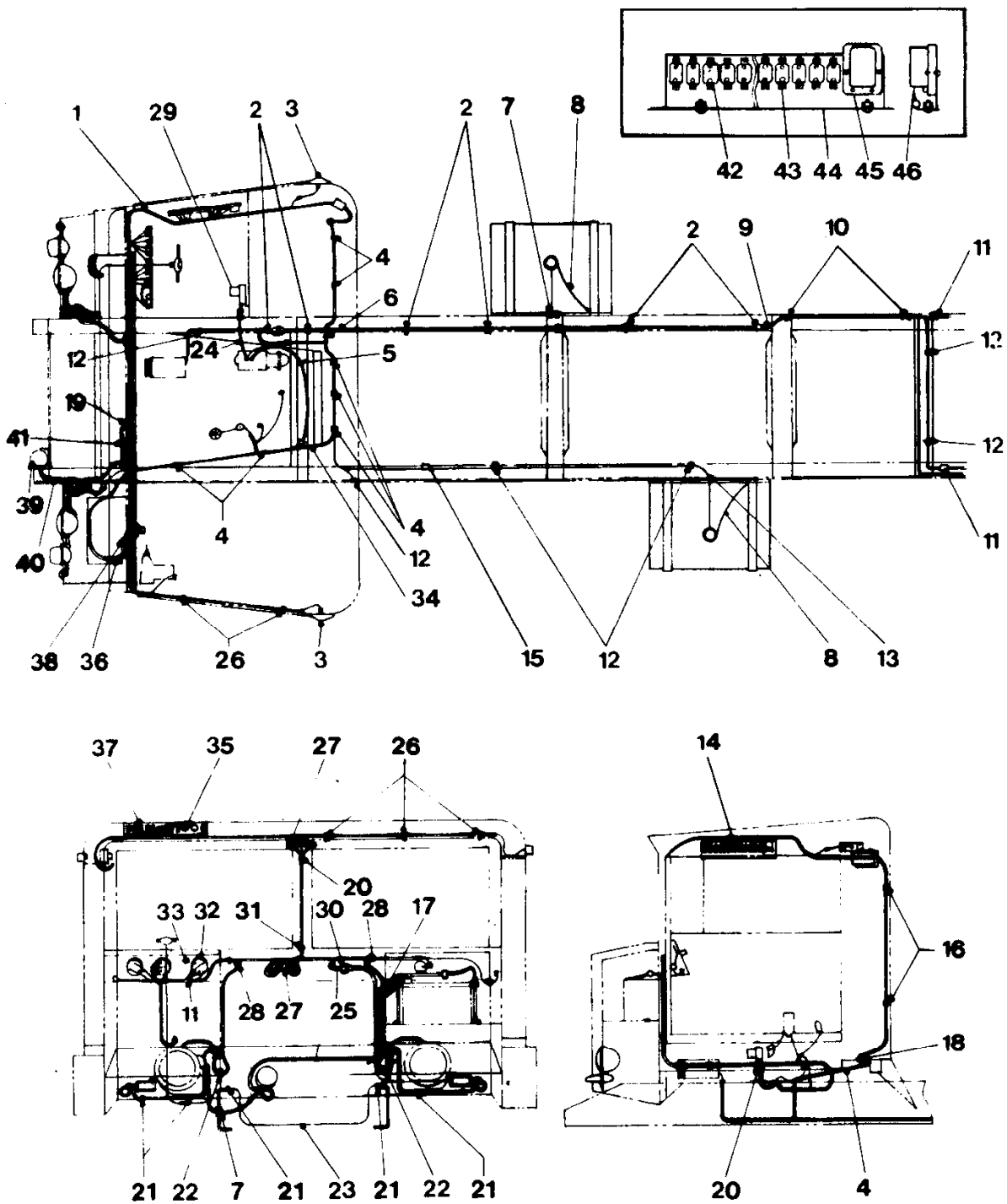


TURN SIGNAL CONTROLS

SERIAL	NUMBER	GROUP & ITEM No.	DESIGNATION	MANUFACTURERS		NO OFF	EXP CLASS	LEVEL	REPAIR
				CODE	PART No.				
1	2	3	4	5	6	7	8		
004341	HE		TURN SIGNAL CONTROLS						
004342	001		SCREW, MACHINE, PAN HD, NO 10 BY 3/8	31007	167156	2	X	UPB	
004343	002		SWITCH AND WIRING ASSEMBLY, TWIN SIGNAL	31007	886778R91	1	X	UPB	
004344	003		SCREW, ASSEMBLED WASHER, UNF, 2A, STEEL, HEX HC, ZINC PLATED, NO 10 BY 1-3/8IN LG	31007	18259R91	1	X	UPB	
004345	004		LEVER, FLASHER SWITCH	31007	218149R91	1	X	UPB	
004346	005		FUSE AND CABLE ASSEMBLY, FLASHER UNIT	Z0020	ADE(V) 225-279	1	X	B	
004347	000		FUSE CARTRIDGE			1			
004348	006		CABLE ASSEMBLY, SPECIAL PURPOSE ELECTRICAL	Z0020	ADE(V) 225-280	1	X	B	
004349	007		CABLE ASSEMBLY			1			
004350	008		SCREW, MACHINE, UNF, 2A, STEEL, FIL HD, SLOT DRIVE, ZINC COATED, NO. 10 BY 1/2 IN. LG	Z0544	ASB149	2	X	UPB	
004351	000		NUT, PLAIN, HEXAGON, UNF, 2B, "A" STEEL, ZINC COATED, NO 10	K7766	3155	2	X	UPB	
004352	000		WASHER, LOCK STEEL, SHAKEPROOF, CAD PLATED, INTERNAL TYPE 12, 3/16IN, NO2BA OR NO10UN SCREW SIZE	Z0088	1210	2	X	UPB	
004353	009		FLASHER, THERMAL, DIRECTIONAL SIGNAL LIGHT 12 V, 2X21 W PLUS 18 W	Z0020	ADEV94-442	1	X	UPB	
004354	010		PILOT, LIGHT, TRAILER (REFER GROUP HDA)			1			
004355	011		CABLE ASSEMBLY PILOT LIGHT TO EARTH			1			
004356	012		SPLICED CONDUCTOR, DOUBLE, FEMALE, SINGLE CIRCUIT, 4 WIRE	Z0220	H860	2	X	UPB	
004357	013		CLIP, CABLE TO BRACKET			2			

GROUP HFA

RPS02031



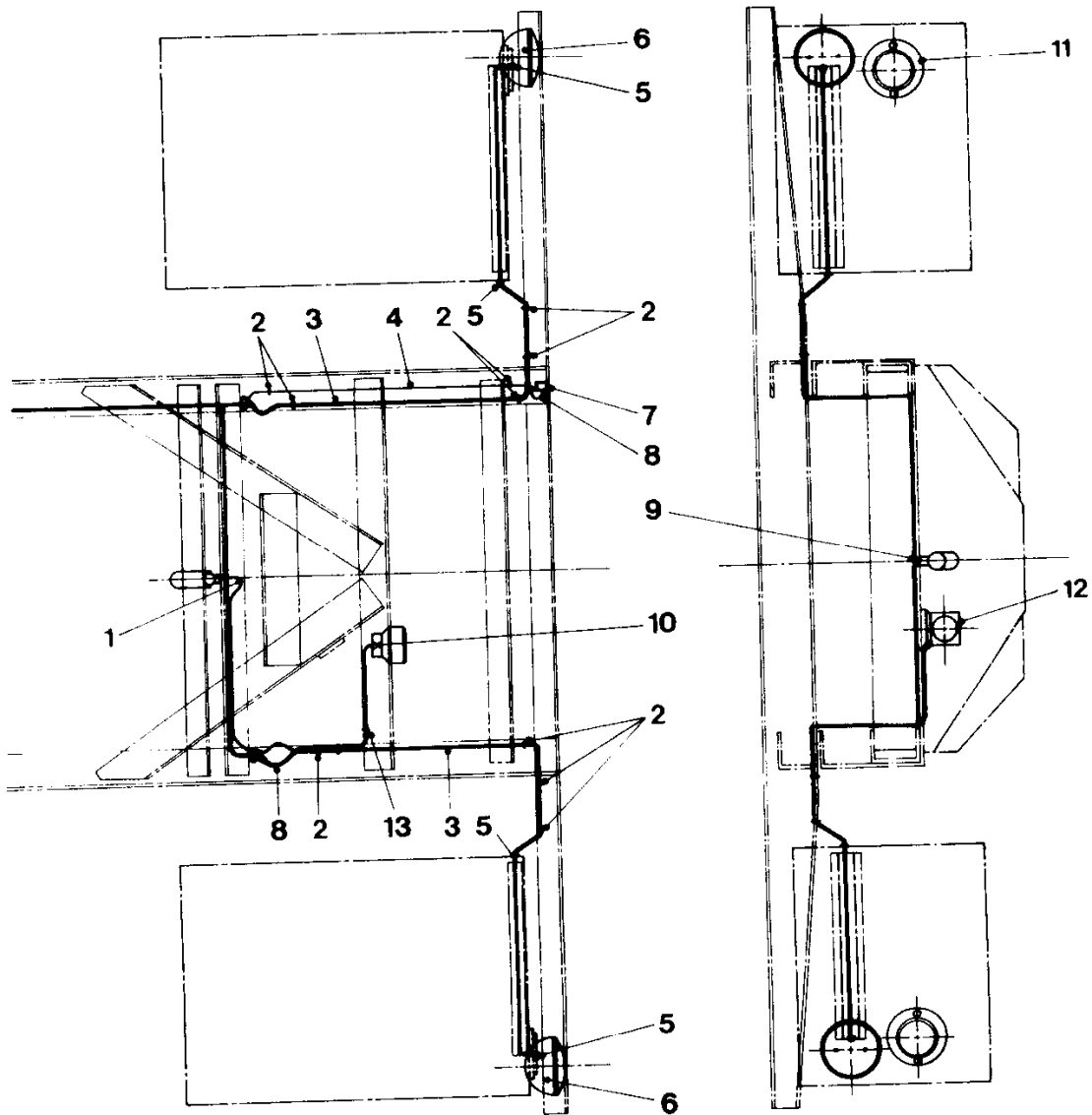
MAIN ELECTRICAL WIRING

S E R I A L	N U M B E R	G R O U P & I T E M N O.	D E S I G N A T I O N	M A N U F A C T U R E R S		U O F F	E X P L O S I V E	C L A S S	L E V E L	G R O U P	P A R T
				C O D E	P A R T N O.						
1	2	3	4	5		6	7	8			
004378	HFA		MAIN ELECTRICAL WIRING								
004379	001		WIRING HARNESS, BRANCHED, main, cab, w/plug	Z0020	ADEV150-7		1	N			PB
004380	002		CLIP CABLE				5				
004381	003		LIGHT MARKER CLEARANCE (REFER GROUP HAA)								
004382	004		CLIP CABLE				3				
004383	005		CLIP, SPRING, TENSION (STARTER CABLE TO CHASSIS)	31007	853346R1		2	X			UPB
004384	006		CLIP CLOSED				1				
004385	007		GROMMET, NONMETALLIC, SYNTHETIC, 0.781 IN. ID BY 1.250 IN. OD, 1 IN. OD BY 0.250 IN. W GROOVE, 0.500 IN. H O/A	Z0009	854 626 R1		2	X			UPB
004386	008		LEAD, ELECTRICAL, GROUND	Z2813	ADE(V) 225-578		2	X			UPB
004387	009		WIRING HARNESS, BRANCHED, main, rear,	Z2813	ADEV 150-14		1	N			PB
004388	010		CLIP CLOSED				1				
004389	011		SPICED CONDUCTOR, DOUBLE, FEMALE, SINGLE CIRCUIT, 4 WIRE	Z0220	H860		8	X			UPB
004390	012		CLIP				6				
004391	013		GROMMET, NONMETALLIC, RUBBER, 3/4 IN. OD, 5/16 IN. DIA HOLE BY 9/16 IN. H O/A BY 5/16 IN. W GROOVE	Z0020	ADEV225-767		1	X			P
004392	014		CABLE ASSEMBLY CIRCUIT BREAKER TO BUZZER				1				
004393	015		CABLE ASSEMBLY CONNECTOR TO L.H.TANK				1				
004394	016		CLIP SPECIAL				2				
004395	017		GROMMET, RUBBER, SYNTHETIC RUBBER, 1.250IN DIA HOLE, 1.813IN O/A DIA, 1.500IN OD BY 0.070IN W GROOVE	Z 2813	ADE(V) 94-554		1	X			UPB
004396	018		GROMMET, RUBBER, 0.600IN ID BY 2.380IN OD BY 0.38CIN THK	Z 2813	ADEV225-756		1	X			PB
004397	019		GROMMET, RUBBER, BELT RAIL	Z0020	ADEV225-755		1	X			PB
004398	020		GROMMET, NONMETALLIC, 1-1/16 IN. OD BY 33/64 IN. DIA HOLE BY 5/16 IN. H O/A BY 1/16 IN. W GROOVE	Z0009	120879		2	X			PB
004399	021		CLIP				6				

SERIAL	NUMBER	GROUP & ITEM No	DESIGNATION	MANUFACTURERS		NO	OFF	EXPL. CLASS.	LEVEL	REPAIR
				CODE	PART No.					
1	2	3	4	5	6	7	8			
004400	022		GROMMET, NONMETALLIC, RUBBER, 1.310 IN. OD BY 3/4 IN. DIA HOLE BY 5/16 IN. H O/A BY 0.090 IN.	Z0273	K522	2	X			FB
004401	023		CABLE ASSEMBLY HORN BITTON (REFER GROUP GAB)			1				
004402	024		LEAD, ELECTRICAL, SLAVE CONNECTION, STARTER	Z2813	TSE(V) 93-577	1	X			FB
004403	025		CONNECTOR, RECEPTACLE, ELECTRICAL, SPECIALPURPOSE, BRANCHED FRONT END HARNESS, COMPLETE W/PLUG	Z0020	ADEV225-304	1	X			B
004404	026		CLIP, RETAINING STEEL, PARKERIZED, 0.688IN. C/A H, 0.438IN. W, 0.062IN THK MATERIAL	9Q763	49139	11	X			UPB
004405	027		TERMINAL BOARD, 5 SCREW TYPE TERMINALS	Z0020	ADEV225-292	2	X			FB
004406	000		SCREW, TAPPING, THREAD FORMING, STEEL, PAN HD, SLOTTED, GIMLET POINT, NO 8 BY 5/8 IN	8Q204	B18-6-4	4	X			UPB
004407	028		GROMMET, NONMETALLIC, SYNTHETIC RUBBER, SPLIT TYPE, 1-7/16 IN. OD, 1-1/16 IN. OD FLANGE, 5/32 IN. THK FLANGE, 5/16 IN. ID, 3/8 IN. O/A H, 1/16 IN. W GROOVE	31007	1404Y	2	X			FB
004408	029		BOX, INTER VEHICLE STARTING (REFER GROUP HC)							
004409	030		BRACKET, CANNON, RECEPTACHEE MOUNTING (ELECTRICAL WIRING)	Z0020	ADEV225-305	1	X			B
004410	000		SCREW, MACHINE, UNF, 2A, SAE GRADE 5 STEEL, HEX HD, ZINC COATED, 1/4IN BY 1/2IN LG	Z1272	030-111	2	X			UPB
004411	000		NUT, PLAIN, HEXAGON, UNF, 2B, STEEL, FORMED, ZINC COATED, 1/4 IN.	8Q204	B18-2	2	X			UPB
004412	031		GROMMET, RUBBER, 5/8IN OD BY 15/32IN OD GROOVE BY 1/8IN THK FLANGE	24617	117957	1	X			FB
004413	032		CABLE ASSEMBLY W/SOCKET			1				
004414	033		CABLE ASSEMBLY W/SOCKET			1				
004415	034		LEAD, BATTERY STORAGE, BATTERY TO STARTER, 93 IN. LG	Z0009	882499R91	1	X			UPB
004416	000		TERMINAL, LUG, BATTERY, POSITIVE OR NEGATIVE, C/W NUT AND BOLT	Z3823	RT32	2	X			UPB

SERIAL	NUMBER	GROUP & ITEM No.	DESIGNATION	MANUFACTURERS		NO OFF	EXPL CLASS	LEVEL	REPAIR
				CODE	PART No.				
1	2	3	4	5	6	7	8		
004417	035		CABLE ASSEMBLY, BLACKOUT SWITCH TO H/LIGHT SWITCHES			1			
004418	036		LEAD, STORAGE BATTERY, BATTERY TO EARTH	Z0009	882391R91	1	X	UPB	
004419	037		CABLE ASSEMBLY WIPER SWITCH TO EARTH			1			
004420	038		SCREW, MACHINE, UNF, 2A, S&W GRADE 5 STEEL, HEX HD, ZINC COATED, 5/16IN BY 3/4IN LG	80204	B18-2	1	X	UPB	
004421	039		HORN, ELECTRICAL, 12V, 310 PLUS OR MINUS 15 CYCLES RVB-1800-201, WATERPROOF	Z0048	1641-201	1	X	UPB	
004422	000		BRACKET, MOUNTING, HORN	Z0020	ADE(V) 225-652	1	X	UPB	
004423	000		BOLT, MACHINE, UNF, 2A, R STEEL, HEX HD, ZINC COATED, 5/16IN BY 1-1/4IN	K5495	79040012	1	X	UPB	
004424	000		NUT, PLAIN, HEXAGON, UNF, 2B, STEEL, GRADE 0, ZINC COATED, 5/16 IN.	K5436	0576002	1	X	UPB	
004425	000		WASHER, LOCK, STEEL, SINGLE TURN, SQ SECTION, CAD PLATED, 5/16 IN. BOLT SIZE	K7766	1802	1	X	UPB	
004426	040		LEAD ASSEMBLY, ELECTRICAL, HORN	Z0020	ADEV225-626	1	X	UPB	
004427	000		CLIP CABLE			2			
004428	000		SCREW, TAPPING, THREAD FORMING, STEEL, RD HD, SLOTTED, GIMLET POINT, NO 10 BY 1/2 IN LG	31007	125591	2	X	UPB	
004429	000		WASHER, LOCK STEEL, SHAKEROOF, CAD PLATED, INTERNAL TYPE 12, 3/16IN, NO2BA OR NO10UN SCREW SIZE	Z0098	1210	2	X	UPB	
004430	041		SCREW, MACHINE, UNC, 2A, MILD STEEL, RAISED CHEESE HD, SLOTTED, ZINC COATED, NO. 8 BY 1/2 IN.	K7766	3155	4	X	UPB	
004431	000		NUT, PLAIN, HEXAGON, UNC 2B, A STEEL, ZINC COATED, NO8	K7766	3155	4	X	UPB	
004432	042		CIRCUIT BREAKER, 12VOLT, 15AMP	Z0009	889387R1	11	X	UPB	
004433	043		CIRCUIT BREAKER	Z0009	883362R1	1	X	UPB	
004434	000		SCREW, TAPPING, THREAD FORMING, STEEL, PANHD, SLOTTED, GIMLET POINT, NO. 8 BY 3/8 IN.	80204	B18-6-4	24	X	UPB	
004435	044		PLATE, CIRCUIT BREAKER MOUNTING	Z0020	ADEV225-196	1	X		B

S E R I A L	N U M B E R	G R O U P & I T E M N o.	D E S I G N A T I O N	M A N U F A C T U R E R S		N O O F F	E X P L O S I O N S	L E V E L	O F
				C O D E	P A R T N o.				
1	2	3	4	5	6	7	8		
004436	000	SCREW, MACHINE, UNF, TRUSS HD, 5/16IN BY 3/4IN	31007	433856	2	X	UPB		
004437	000	NUT, PLAIN, HEXAGON, UNF, 2B, STEEL, FORMED, ZINC COATED, 5/16 IN.	Z1272	034-079	2	X	UPB		
004438	045	BUZZER, 12V	Z3375	8078	1	X	UPB		
004439	046	PLATE COVER ASSEMBLY	Z0020	ADE(V) 225-541-1	1	X	B		
004440	000	SCREW, MACHINE, UNF, 2A, MILD STEEL, RAISED CHEESE HD, SLOTTED, ZINC COATED, NO.10 BY 1 IN	K7766	3155	2	X	UPB		
004441	000	NUT, PLAIN, HEXAGON, UNF, 2B, "A" STEEL, ZINC COATED, NO 10	K7766	3155	2	X	UPB		
004442	000	SCREW, MACHINE, UNF, 2A, MILD STEEL, FIL HD, SLOT DRIVE, ANICE COATED, L 1/4 IN. BY 1/2 IN.	ZQ544	B149	2	X	UPB		
004443	000	LEAD, ELECTRICAL, GROUND TO CAB	Z0027	EG-8	1	X	B		
004444	000	LEAD, ELECTRICAL, ENGINE TO GROUND	Z0020	ADE(V) 225-790	1	X	PB		
004445	000	LEAD, ELECTRICAL, CAB TO GROUND	31007	82767-R91	1	X	B		
004446	000	LEAD, ELECTRICAL, BONDING, ENGINE COVER, UPPER	Z2813	TSE(V) 93-907	1	X	B		

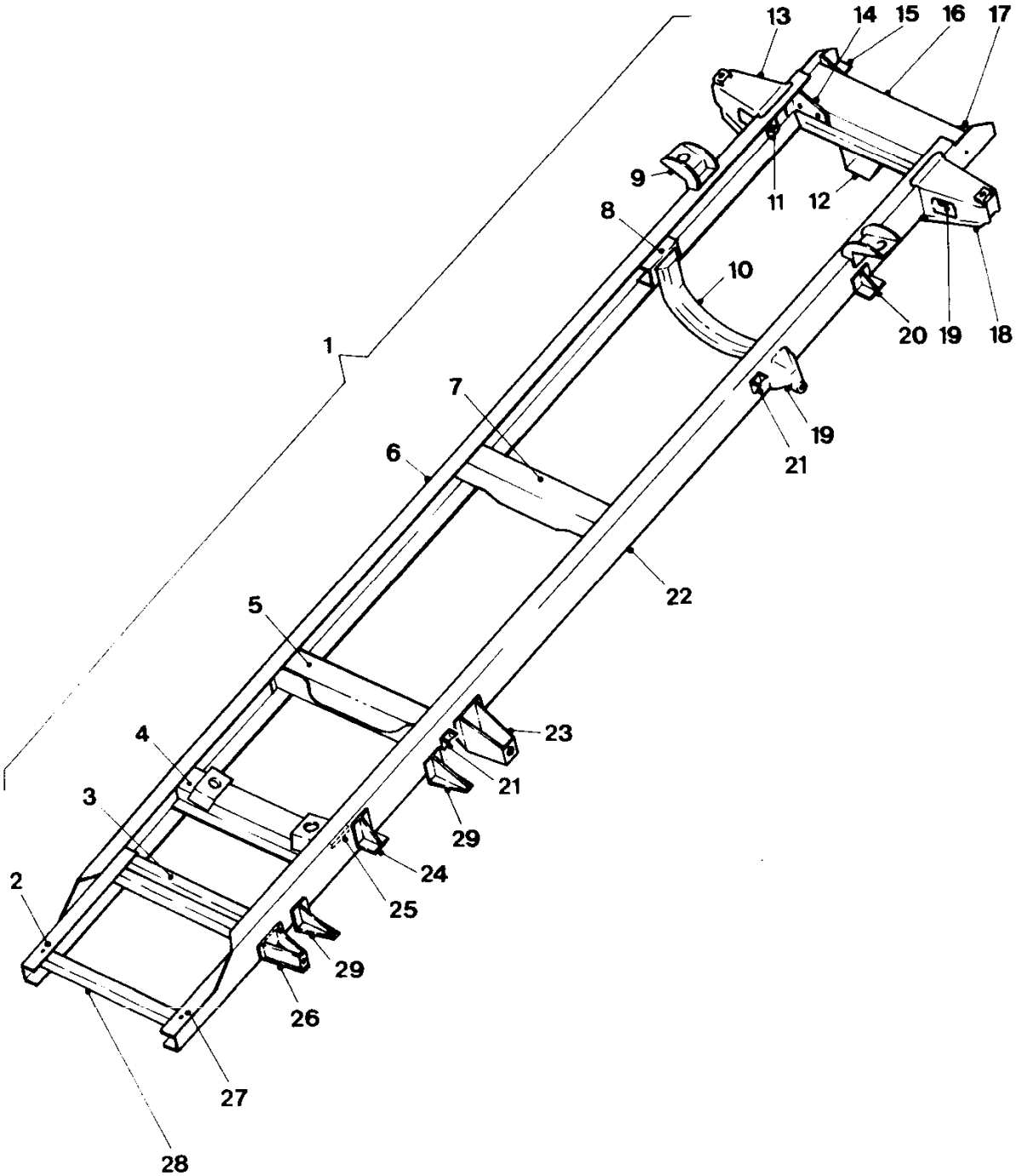


REAR END ELECTRICAL WIRING

SERIAL NUMBER	GROUP & ITEM No.	DESIGNATION	MANUFACTURERS		NO OFF	EXPL CLASS	REV	OF	R P A I R
			CODE	PART No.					
1	2	3	4	5	6	7	8		
004468	HFB	REAR END ELECTRICAL WIRING							
004469	001	CABLE ASSEMBLY CONNECTOR TO CONVOY LIGHT				1			
004470	002	CLAMP, LOOP, HARNESS TO SIDEMEMBER	Z0009	850725R2		10	X		UPB
004471	003	CABLE ASSEMBLY,CONNECTOR TO LIGHT				2			
004472	004	CABLE ASSEMBLY SOCKET FEED				1			
004473	005	GROMMET, RUBBER, SYNTHETIC RUBBER, 5/8IN DIA HOLE, 1-3/8IN O/A DIA, 1IN CD BY 1/16IN W GROOVE, 1/2IN H O/A, SPLIT TYPE	31007	117975		1	X		FB
004474	006	LIGHT (REFER GROUP HAA)							
004475	007	ADAPTOR AND NIPPLE ASSEMBLY, 2 PIN (SOCKET WANDERING LEAD)	U1725	16E20272		1	X		UPB
004476	008	CABLE ASSEMBLY,CABLE GROUND				1			
004477	009	CONVOY LIGHT (REFER GROUPO HAA)				1			
004478	010	WIRING HARNESS, VEHICULAR, TRAILER CONNECTION	Z2813	ADE(V) 225-217 ISSUE2		1	X		UPB
004479	011	REFLECTOR (REFER GROUPO HAA)				2			
004480	012	COVER ASSEMBLY, JUMPER SOCKET	Z0009	856142-R9 1		1	X		UPB
004481	013	CLIP,CABLE				2			

GROUP IA

RPS02031



FRAME

S E R I A L	N U M B E R	G R O U P & I T E M N O	D E S I G N A T I O N	M A N U F A C T U R E R S		N O O F F	I N P L A S T I C	O F	M E T A L
				C O D E	P A R T N O				
1	2	3	4	5	6	7	8		
004501	IA	FRAME							
004502	001	FRAME ASSEMBLY, TRUCK				1			
004503	002	EXTENSION CHASSIS L/H				1			
004504	000	RIVET, SOLID, RD HD, 7/16 IN. DIA, 1-1/8 IN. LG	31007	12056R1		2	X		B
004505	003	CROSSMEMBER, REAR SPRING REAR	Z0020	ADEV225-7		2	X		B
004506	000	RIVET, SOLID, RD HD, 7/16 IN. DIA, 1-1/8 IN. LG	31007	12056R1		4	X		B
004507	004	CROSSMEMBER ASSEMBLY REAR SHOCK ABSORBER MOUNT	Z0020	ADEV225-632		1	X		B
004508	005	CROSS-MEMBER, REAR SPRING, FRONT				1			
004509	006	SIDEMEMBER L/H				1			
004510	007	CROSSMEMBER THIRD	Z0020	ADEV225-493		1	X		B
004511	000	RIVET, SOLID, RD HD, 1/2 IN., DIA, 1-3/8 IN. LG	31007	12015R1		3	X		B
004512	008	BRACKET, CROSSMEMBER, ENGINE SUPPORT REAR, LH	Z0020	ADEV225-750-1		1	X		B
004513	000	BRACKET, CROSSMEMBER, ENGINE SUPPORT REAR, RH	Z0020	ADEV225-750-2		1	X		B
004514	000	SCREW, MACHINE, UNF, 2A, SAE GRADE 5 STEEL, HEX HD, ZINC COATED, 1/2 IN. BY 1-1/4 IN.	80204	B18-2		15	X		UFB
004515	000	WASHER, LOCK, STEEL, SPRING, SINGLE TURN, RECTANGULAR SECTION, CAD PLATED, 1/2 IN. BOLT SIZE	K7766	1802		15	X		UFB
004516	000	NUT, PLAIN, HEXAGON, UNF 2B, STEEL, FORMED, ZINC COATED, 1/2 IN	80204	B18-2		15	X		UFB
004517	009	BRACKET, MOUNTING, SHOCK ABSORBER, FRONT	Z0020	ADEV225-77		2	X		B
004518	000	RIVET, ROUND HEAD, 3/8 IN BY 1-3/8 IN				3			
004519	010	BRACKET, CROSSMEMBER, REAR, ENGINE SUPPORT	Z0020	ADEV94-207		1	X		B
004520	011	BRACKET OIL HOSE				1			
004521	012	BRACKET, ENGINE MOUNTING FRONT	Z0020	ADEV225-36		1	X		B
004522	000	SCREW, MACHINE, UNF, 2A, SAE GRADE 5 STEEL, HEX HD, ZINC COATED, 7/16 IN. BY 1 IN. LG	80204	B18-2		5	X		UFB

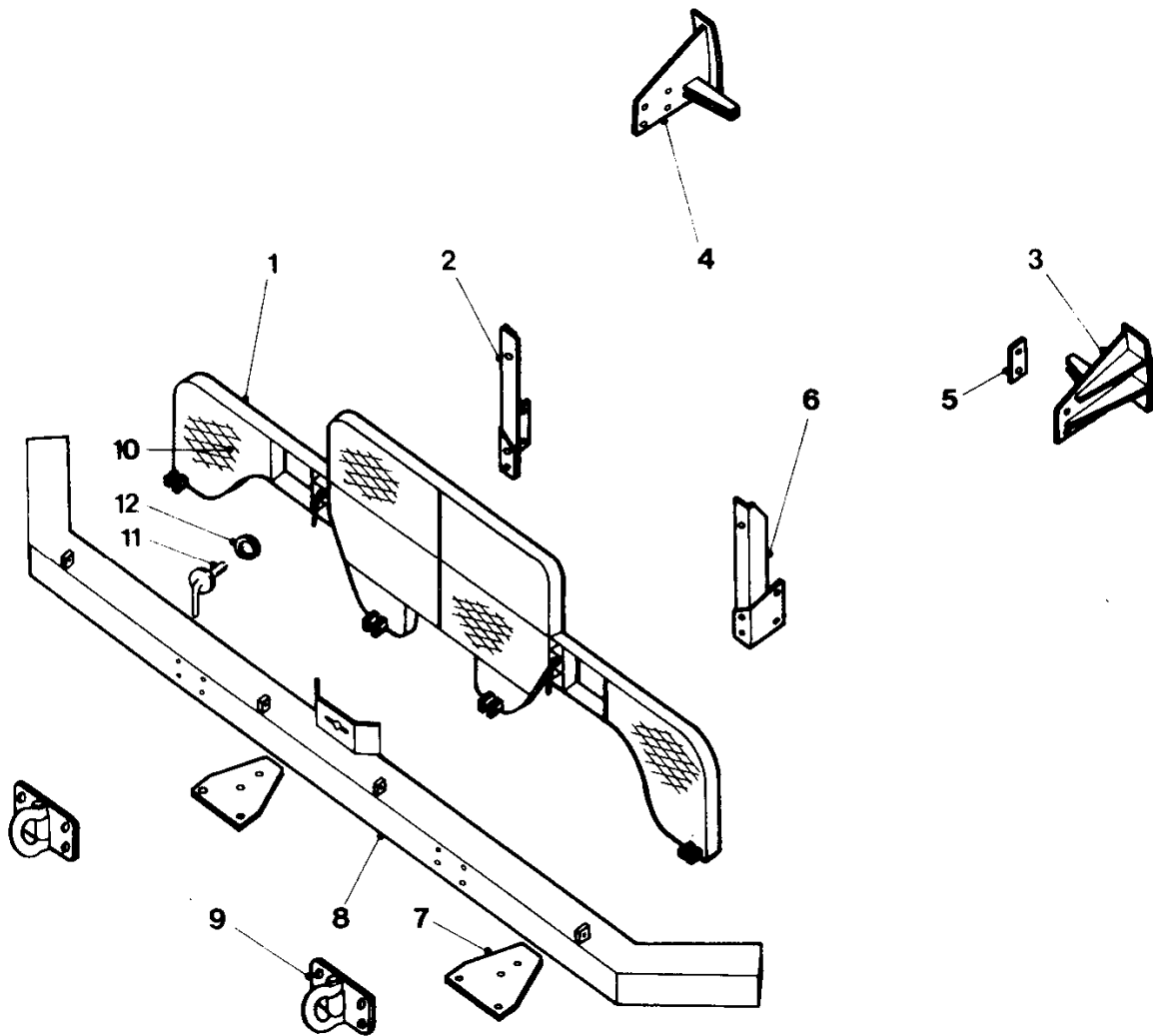
S E R I A L	N U M B E R	G R O U P & I T E M N O.	D E S I G N A T I O N	M A N U F A C T U R E R S		N O O F F	E X P. C L A S S I F.	L E V E L	O F	R E P A I R
				C O D E	P A R T N O.					
1	2	3	4	5		6	7	8		
004523	000	WASHER, LOCK, SPRING STEEL, SINGLE TURN, RECTANGULAR SECTION, CAD PLATED, 7/16 IN BOLT SIZE	K7766	1802		5	X			UPB
004524	000	NUT, PLAIN, HEXAGON, UNF 2E, STEEL, FORMED, ZINC COATED, 7/16IN	80204	B18-2		5	X			UPB
004525	013	BRACKET ASSEMBLY, MOUNTING, CAB FRONT, LH	Z0020	ADEV225-46-3		1	X			B
004526	000	RIVET, SOLID, STEEL, BUTT CN HD, 3/8 IN. DIA, 1-1/4 IN. LG	Z0544	B118		2	X			B
004527	000	RIVET, SOLID, RD HD, 3/8 IN. DIA, 1-1/8 IN. LG	31007	12055&1		1	X			B
004528	000	RIVET, SOLID, STEEL, BUTTON HD, 3/8 IN. DIA, 1 IN. LG	Z0544	B118		5	X			B
004529	000	BOLT, MACHINE, UNF, 2A, SAE GRADE 5 STEEL, HEX HD, ZINC COATED, 3/8IN BY 1-1/4IN LG	80204	B18-2		2	X			B
004530	000	WASHER, LOCK, SPRING, STEEL, SINGLE TURN, RECTANGULAR SECTION, CAD PLATED, 3/8 IN. BOLT SIZE	K7766	1802		2	X			B
004531	000	NUT, PLAIN, HEXAGON, UNF 2B, STEEL, FORMED, ZINC COATED, 3/8IN	80204	B18-2		2	X			B
004532	014	GUSSET, FRONT, CROSS MEMBER REAR LH	Z2813	ADEV225-115-1		1	X			B
004533	000	GUSSET, FRONT, CROSS MEMBER REAR, RH	Z2813	ADEV225-115-2		1	X			B
004534	000	RIVET, SOLID, RD HD, 3/8 IN. DIA, 7/8 IN. LG	31007	12043R1		5	X			B
004535	015	GUSSET, CHASSIS CROSSMEMBER, FRONT, LH	Z2813	ADEV225-114-1		1	X			B
004536	000	RIVET, SOLID, RD HD, 3/8 IN. DIA, 7/8 IN. LG	31007	12043R1		3	X			B
004537	016	BRACKET, CROSSMEMBER, FRONT, ENGINE SUPPORT	Z0020	ADEV94-225		2	X			B
004538	017	GUSSET, FRONT, CROSS MEMBER FRONT, RH	Z2813	ADEV225-114-2		1	X			B
004539	000	BOLT, MACHINE, UNF, 2A, SAE GRADE 5 STEEL, HEX HD, ZINC COATED, 3/8IN BY 1-1/4IN LG	80204	B18-2		4	X			B
004540	000	WASHER, LOCK, SPRING, STEEL, SINGLE TURN, RECTANGULAR SECTION, CAD PLATED, 3/8 IN. BOLT SIZE	K7766	1802		4	X			B

SERIAL	NUMBER	GROUP & ITEM No.	DESIGNATION	MANUFACTURERS		NO. OFF	EXP. C. L. (USA)	REPAIR
				CODE	PART No.			
1	2	3	4	5	6	7	8	
004541	000	NUT, PLAIN, HEXAGON, UNF 2B, STEEL, FORMED, ZINC COATED, 3/8IN	80204	B18-2	4	X	B	
004542	018	BRACKET ASSEMBLY, MOUNTING, CAB FRONT, RH	Z0020	ADEV225-46-4	1	X	B	
004543	000	RIVET, SOLID, STEEL, BUTTON HD, 3/8 IN. DIA, 1-1/4 IN. LG	Z0544	B116	2	X	B	
004544	000	RIVET, SOLID, RD HD, 3/8 IN. DIA, 1-1/8 IN. LG	31007	12055R1	2	X	B	
004545	019	HANGER, SPRING FRONT	Z2813	ADEV225-28	4	X	B	
004546	000	RIVET, SOLID, RD HD, 7/16 IN. DIA, 1-3/8 IN. LG	31007	12069R1	24	X	B	
004547	000	BRACKET, DOUBLE ANGLE ROPE SUPPORT	Z0020	ADEV225-599	3	X	B	
004548	000	RIVET, SOLID, STEEL, BUTTON HD, 3/8 IN. DIA, 1 IN. LG	Z0544	B118	6	X	B	
004549	020	BRACKET, ASSEMBLY BUMP, LIMITING			2			
004550	000	PAD, BUMP LIMITING	Z0020	TSEV93-371	2	X	B	
004551	000	RIVET, SOLID, RD HD, 3/8 IN. DIA, 1-1/8 IN. LG	31007	12055R1	3	X	B	
004552	021	LOOP, LASHING	Z0020	TSEV93-379	4	X	B	
004553	000	SCREW, MACHINE, UNF, 2A, SAE GRADE 5 STEEL, HEX HD, ZINC COATED, 5/16 IN. BY 1 IN. LG	80204	B18-2-1	3	X	B	
004554	000	WASHER, LOCK, SPRING, STEEL, SINGLE TURN, RECTANGULAR SECTION, CAD PLATED, 5/16 IN. BOLT SIZE	17600	DX252	3	X	B	
004555	000	NUT, PLAIN, HEXAGON, UNF, 2B, STEEL, FORMED, ZINC COATED, 5/16 IN.	Z1272	034-079	3	X	B	
004556	022	CROSSMEMBER, REAR SPRING REAR	Z0020	ADEV225-7	1	X	B	
004557	023	HANGER, SPRING REAR, FRONT END	Z2813	ADEV225-123	2	X	B	
004558	000	RIVET, SOLID, STEEL, BUTTON HD, 3/8 IN. DIA, 1-1/4 IN. LG	Z0544	B118	16	X	B	
004559	024	BRACKET ASSEMBLY BUMP LIMITING REAR			2			
004560	000	RIVET, SOLID, RD HD, 3/8 IN. DIA, 1-1/8 IN. LG	31007	12055R1	3	X	B	
004561	025	GUSSET, CROSSMEMBER SHOCK ABSORBER	Z0020	ADEV225-637	2	X	B	

S E R I A L	N U M B E R	G R O U P & I T E M N o.	D E S I G N A T I O N	M A N U F A C T U R E R S		N O O F F	E X P L A S S S	L E V E L	O F	R E P A I R
				C O D E	P A R T N o.					
1	2	3	4	5		6	7	8		
004562	000	RIVET, SOLID, RD HD, 3/8 IN. DIA, 7/8 IN. LG	31007	12043R1		4	X			B
004563	000	RIVET, SOLID, STEEL, BUTTON HD, 3/8 IN. DIA, 1 IN. LG	Z0544	B118		12	X			B
004564	026	HANGER, SPRING REAR	Z2813	ADEV225-27		2	X			B
004565	000	RIVET, SOLID, STEEL, BUTTON HD, 1/2 IN. DIA, 1-3/4 IN. LG	31007	12018R1		3	X			B
004566	000	BOLT, MACHINE, UNF, 2A, SAE GRADE 5 STEEL, HEX HD, ZINC COATED, 1/2IN BY 1-1/2IN LG	8Q204	B18-2		4	X			B
004567	000	WASHER, LOCK, STEEL, SPRING, SINGLE TURN, RECTANGULAR SECTION, CAD PLATED, 1/2 IN. BOLT SIZE	K7766	1802		1	X			B
004568	000	NUT, PLAIN, HEXAGON, UNF 2B, STEEL, FORMED, ZINC COATED, 1/2IN	8Q204	B18-2		4	X			B
004569	027	EXTENSION, CHASSIS R/H,				1				
004570	000	RIVET, SOLID, RD HD, 7/16 IN. DIA, 1-1/8 IN. LG	31007	12056R1		2	X			B
004571	028	CROSSMEMBER, REAR	Z0020	ADEV225-165		1	X			B
004572	000	RIVET, SOLID, RD HD, 7/16 IN. DIA, 1-1/8 IN. LG	31007	12056R1		2	X			B
004573	000	SCREW, MACHINE, UNF, 2A, SAE GRADE 5 STEEL, HEX HD, ZINC COATED, 5/8IN BY 1-1/2IN LG	8Q204	B18-2		2	X			B
004574	000	WASHER, LOCK SPRING STEEL, SINGLE TURN, RECTANGULAR SECTION, CAD PLATED, 5/8IN BOLT SIZE	Z0745	5-8BOLTD		2	X			B
004575	000	NUT, PLAIN, HEXAGON, UNF, 2B, STEEL, FORMED, ZINC COATED, 5/8IN	8Q204	B18-2		2	X			B
004576	029	GUSSET, CHASSIS CROSSMEMBER, FRONT, LH	Z2813	ADEV225-114-1		4	X			B

GROUP IAA

RPS02031



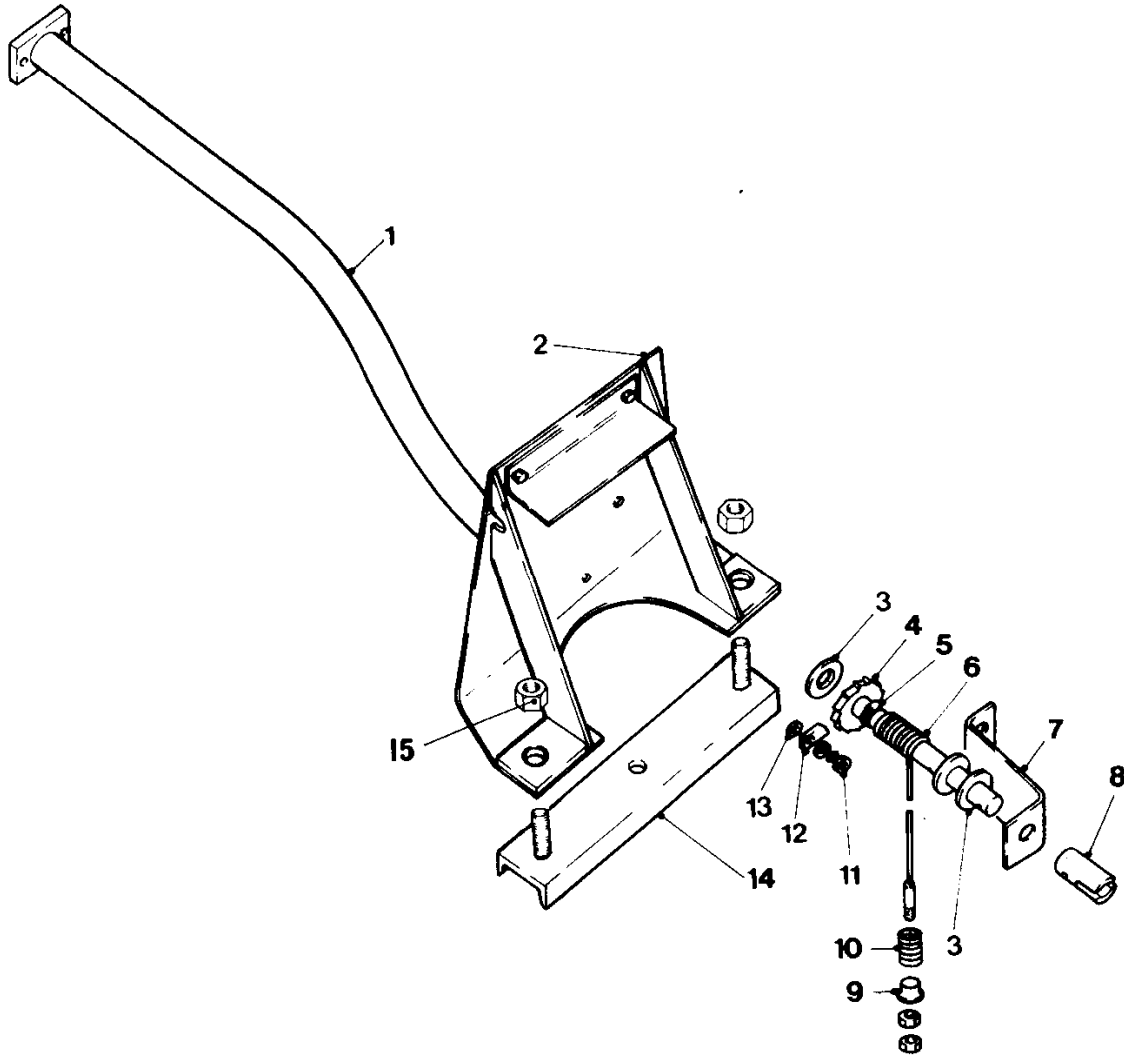
BRUSHGUARD & BUMPER BARS

S E R I A L	N U M B E R	G R O U P & I T E M N O.	D E S I G N A T I O N	M A N U F A C T U R E R S		N O. O F	E X P L O S I V E	R E P A I R
				C O D E	P A R T N O.			
1	2	3	4	5	6	7	8	
004597	IAA	BRUSHGUARD AND BUMPER BARS						
C04598	001	GUARD, BRUSH	Z2813	ADEV94-494	1	X	UPB	
004599	000	PIN, STRAIGHT, HEADED ROD END	31007	35229H	4	X	UPB	
004600	002	PILLAR ASSEMBLY, BRUSEGUARD, RH	Z2813	ADEV225-817	1	X	FB	
004601	003	BUMPER, VEHICULAR, LH (REAR)	Z0020	ADEV94-2051	1	X	FB	
004602	004	BUMPER, VEHICULAR, RH (REAR)	Z0020	ADEV94-2052	1	X	FB	
004603	000	BOLT, MACHINE, UNF, 2A, SAE GRADE 5 STEEL, HEX HD, ZINC COATED, 3/8IN BY 1-1/2IN LG	8Q204	B18-2	8	X	UPB	
C04604	000	NUT, PLAIN, HEXAGON, UNF 2B, STEEL, FORMED, ZINC COATED, 3/8IN	8Q204	B18-2	3	X	UPB	
004605	000	WASHER, LOCK, SPRING, STEEL, SINGLE TURN, RECTANGULAR SECTION, CAD PLATED, 3/8 IN. BOLT SIZE	K7766	1802	3	X	UPB	
004606	005	SPACER, PLATE	Z0020	ADEV225-464	1	X	FB	
C04607	006	PILLAR ASSEMBLY, LH	Z2813	ADEV225-195	1	X	FB	
C04608	000	BOLT, MACHINE, UNF, 2A, SAE, GRADE 5, STEEL, HEX HD, ZINC COATED, 7/16 IN. BY 1-3/4 IN. LG	8Q204	1318-2	2	X	UPB	
C04609	000	NUT, PLAIN, HEXAGON, UNF 2B, STEEL, FORMED, ZINC COATED, 1/2IN	8Q204	B18-2	2	X	UPB	
004610	000	WASHER, LOCK, STEEL, SPRING, SINGLE TURN, RECTANGULAR SECTION, CAD PLATED, 1/2 IN. BOLT SIZE	K7766	1802	2	X	UPB	
004611	007	BRACKET, BOTTOM BUMPER MOUNT	Z0020	ADEV225-51	2	X	FB	
004612	000	SCREW, MACHINE, UNF, 2A, SAE GRADE 5 STEEL, HEX HD, ZINC COATED, 1/2 IN. BY 1-1/4 IN.	8Q204	B18-2	8	X	UPB	
C04613	008	BUMPER, VEHICULAR, FRCNT	Z0020	ADE(V) 225-74-3	1	X	FB	
004614	009	TOWING DEE ASSEMBLY, FRONT	Z0020	ADEV5-56	2	X	UPB	
C04615	000	BRACKET TOWING"D"			2			
004616	000	SHACKLE, CHAIN TYPE, TOWING D, W/O CLOSUREPIN	Z0020	ADEV5-58	2	X	UPB	
004617	000	BOLT, MACHINE	Z0020	ADEV5-59	2	X	UPB	
004618	000	NUT, SLOTTED, HEXAGON, UNF 2B, A STEEL, THICK, ZINC COATED, 9/16IN	ZQ544	B147	2	X	UPB	

S E R I A L	N U M B E R	G R O U P & I T E M N o.	D E S I G N A T I O N	M A N U F A C T U R E R S		N O C I F	E X P L O S I V E	L E V E L	O F	R E P A I R
				C O D E	P A R T N o.					
1	2		3	4	5	6	7			8
004619	000		PIN, COTTER SPLIT, MILD STEEL, 1/8IN BY 1-1/2IN LG	K7766	1574	2	X			UFB
004620	000		BOLT, MACHINE, UNF, 2A, SAE GRADE 5 STEEL, HEX HD, ZINC COATED, 9/16IN BY 5IN LG	31007	191786	4	X			UFB
004621	000		BOLT, MACHINE, UNF, 2A, SAE GRADE 5 STEEL, HEX HD, ZINC COATED, 9/16IN BY 5-1/2IN	31007	191787	4	X			UFB
004622	000		NUT, PLAIN, HEXAGON, UNF 2B, STEEL, FORMED, ZINC COATED, 9/16IN	80204	B18-2	3	X			UFB
004623	000		WASHER, LOCK SPRING, STEEL, SINGLE TURN, RECTANGULAR SECTION, CAD PLATED, 9/16IN BOLT SIZE	K7766	1802	15	X			UFB
004624	010		METAL, EXPANDED, STEEL, 15.90 MM BY 38.10 MM MESH, 3 M LG BY 900 MM W	Z0403	D1620 BLACK	1	X			UFB
004625	011		BOLT, BRUSH GUARD, STEEL, CAD PLATED, 1/2IN UNC	Z0020	ADEV225-183	2	X			UFB
004626	012		RING, RETAINING, STEEL, EXTERNAL TYPE, 0.388 IN. MIN-0.394 IN. MAX I/D, 0.040 IN. MIN-0.044 IN. MAX THK	96906	MS16633-1050	2	X			UFB

GROUP IAB

RPS02031



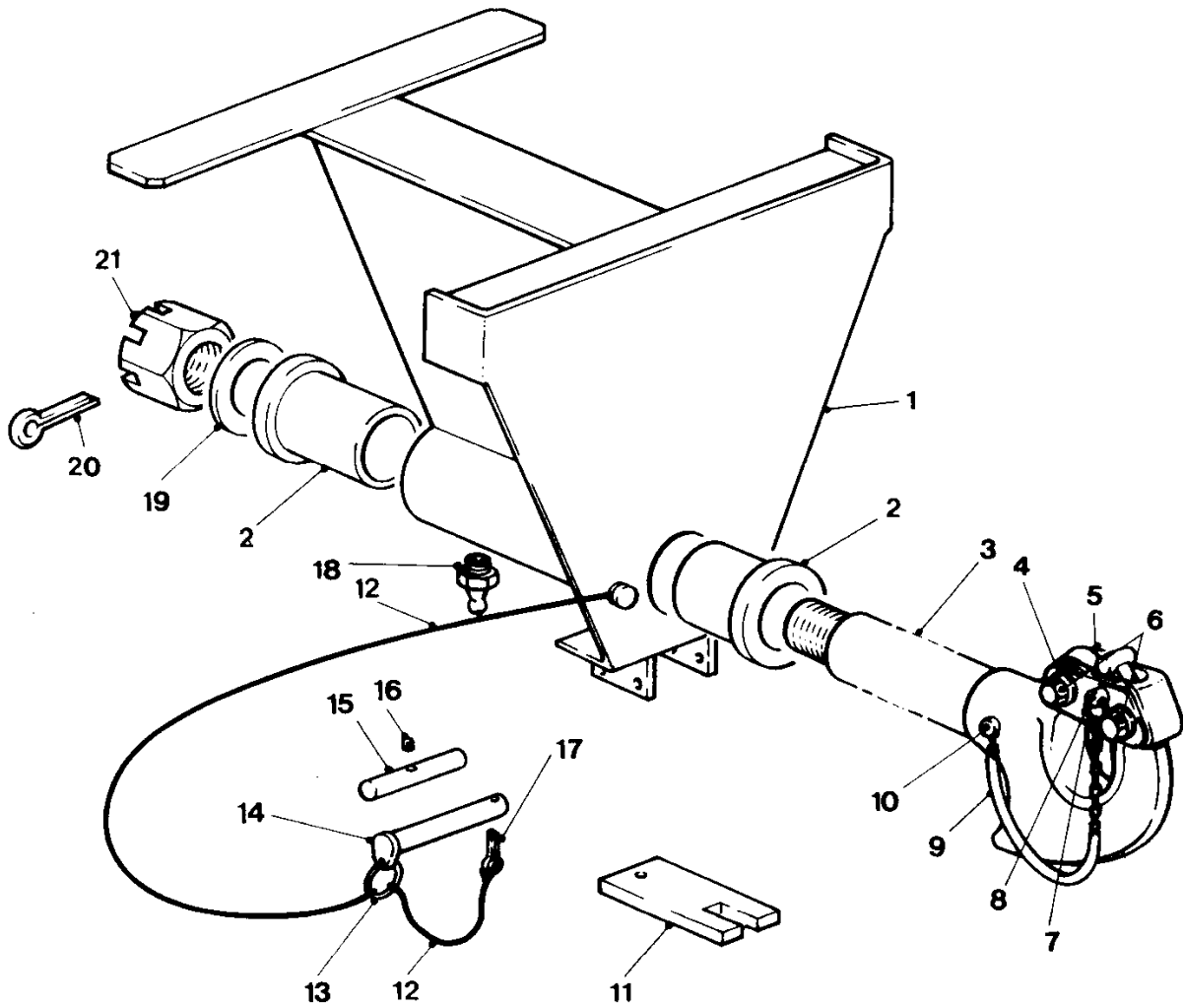
SPARE WHEEL CARRIER

SERIAL NUMBER	GROUP & ITEM No.	DESIGNATION	MANUFACTURERS		NO OFF	EXPL CLASS	LEVEL	OF	REPAIR
			CODE	PART No.					
1	2	3	4	5	6	7	8		
004647	IAB	SPARE WHEEL CARRIER							
004648	001	CROSSMEMBER ASSEMBLY, SPARE WHEEL CARRIER	Z0020	ADEV225-612		1	X		B
004649	000	SCREW, MACHINE, UNF, 2A, SAE GRADE 5 STEEL, HEX HD, ZINC COATED, 3/8IN BY 1IN IG	80204	B18-2		4	X		UPB
004650	000	NUT, PLAIN, HEXAGON, UNF 2B, STEEL, FORMED, ZINC COATED, 3/8IN	80204	B18-2		4	X		UPB
004651	000	WASHER, LOCK, SPRING, STEEL, SINGLE TURN, RECTANGULAR SECTION, CAD PLATED, 3/8 IN. BOLT SIZE	K7766	1802		4	X		UPB
004652	002	BRACKET ASSEMBLY, SPARE WHEEL CARRIER	Z0020	ADEV225-601/1		1	X		B
004653	000	SCREW, MACHINE, UNF, 2A, SAE GRADE 5 STEEL, HEX HD; ZINC COATED, 1/2 IN. BY 1-1/4 IN.	80204	B18-2		3	X		UPB
004654	000	NUT, PLAIN, HEXAGON, UNF 2B, STEEL, FORMED, ZINC COATED, 1/2IN	80204	B18-2		3	X		UPB
004655	000	WASHER, LOCK, STEEL, SPRING, SINGLE TURN, RECTANGULAR SECTION, CAD PLATED, 1/2 IN. BOLT SIZE	K7766	1802		3	X		UPB
004656	003	WASHER, FLAT, RD, STEEL, ZINC COATED, SMALL, 1 IN. BOLT SIZE, 1-7/8 IN OD BY 0.160 IN. THK	Z0544	B117		2	X		UPB
004657	004	SHAFT ASSEMBLY, SPARE WHEEL CARRIER	Z0020	ADEV225-605		1	X		FB
004658	005	CLAMP, HOSE, STEEL, ADJUSTABLE, SCREW ADJ TYPE, ZINC COATED, 7/8 IN. TO 1-1/2 IN.	K0183	AGS605		1	X		UPB
004659	006	CABLE ASSEMBLY, SPARE WHEEL CARRIER	Z0020	ADEV225-606		1	X		UPB
004660	000	NUT, PLAIN, HEXAGON, UNF 2B, A STEEL, LOCK, ZINC COATED, 1/2IN	Z0544	B147		2	X		UPB
004661	007	BRACKET, DOUBLE ANGLE, STEEL, SPACE WHEEL CARRIER	Z0020	ADEV225-602		1	X		UPB
004662	000	SCREW, MACHINE, UNF, 2A, SAE GRADE 5 STEEL, HEX HD, ZINC COATED, 1/2 IN. BY 1-1/4 IN.	80204	B18-2		1	X		UPB
004663	000	BOLT, MACHINE, UNF, 2A, SAE GRADE 5 STEEL, HEX HD, ZINC COATED, 1/2IN BY 1-1/2IN LG	80204	B18-2		1	X		UPB
004664	000	NUT, PLAIN, HEXAGON, UNF 2B, STEEL, FORMED, ZINC COATED, 1/2IN	80204	B18-2		2	X		UPB

S E R I A L	N U M B E R	G R O U P & I T E M N o	D E S I G N A T I O N	M A N U F A C T U R E R S		N O O F	E X P L O S I V E	C L A S S	R E P A I R
				C O D E	P A R T N o.				
1	2	3	4	5	6	7	8		
004665	000	WASHER, LOCK, STEEL, SPRING, SINGLE TURN, RECTANGULAR SECTION, CAD PLATED, 1/2 IN. BOLT SIZE	K7766	1802	2	X	UFB		
004666	008	SPARE WHEEL CARRIER DQG SHAFT	Z0020	ADEV225-604	1	X	FB		
004667	009	SEAT, HELICAL COMPRESSION SPRING	Z0020	ADEV225-611	1	X	UFB		
004668	010	SPRING, HELICAL, COMPRESSION STEEL, SPARE WHEEL CARRIER, 1.125 IN. O/A LG BY 1.131 IN. OD BY 0.875 IN. ID Z0020, ADE(V)225-610	Z0020	ADEV225-610	1	X	UFB		
004669	011	NUT, PLAIN, HEXAGON, UNF, 2B, STEEL, FORMED, ZINC COATED, 1/4 IN.	8Q204	B18-2	1	X	UFB		
004670	000	WASHER, LOCK, SPRING STEEL, SINGLE TURN, RECTANGULAR SECTION, CAD PLATED, 1/4 IN BOLT SIZE	K7766	1802	1	X	UFB		
004671	000	WASHER, FLAT, RD, STEEL, ZINC COATED, SMALL, 1/4 IN., 9/16 IN. OD BY 0.056 IN. THK	Z0544	B117	1	X	UFB		
004672	012	PAWL, RATCHET	Z0020	ADE(V) 225-603	1	X	UFB		
004673	013	WASHER, FLAT, RD, STEEL, 3/8 IN. ID BY 1-1/8 IN. OD BY 0.065 IN. THK	31007	446470	1	X	UFB		
004674	014	SUPPORT ASSEMBLY, SPARE WHEEL	Z0020	ADEV225-608	1	X	UFB		
004675	015	NUT, CONE SEAT, HEXAGON, UNF, 2B, STEEL, CAD OR ZINC COATED, 7/8 IN.	Z2813	ADEV225-353ISSUE4	2	X	UFB		

GROUP IAC

RPS02031



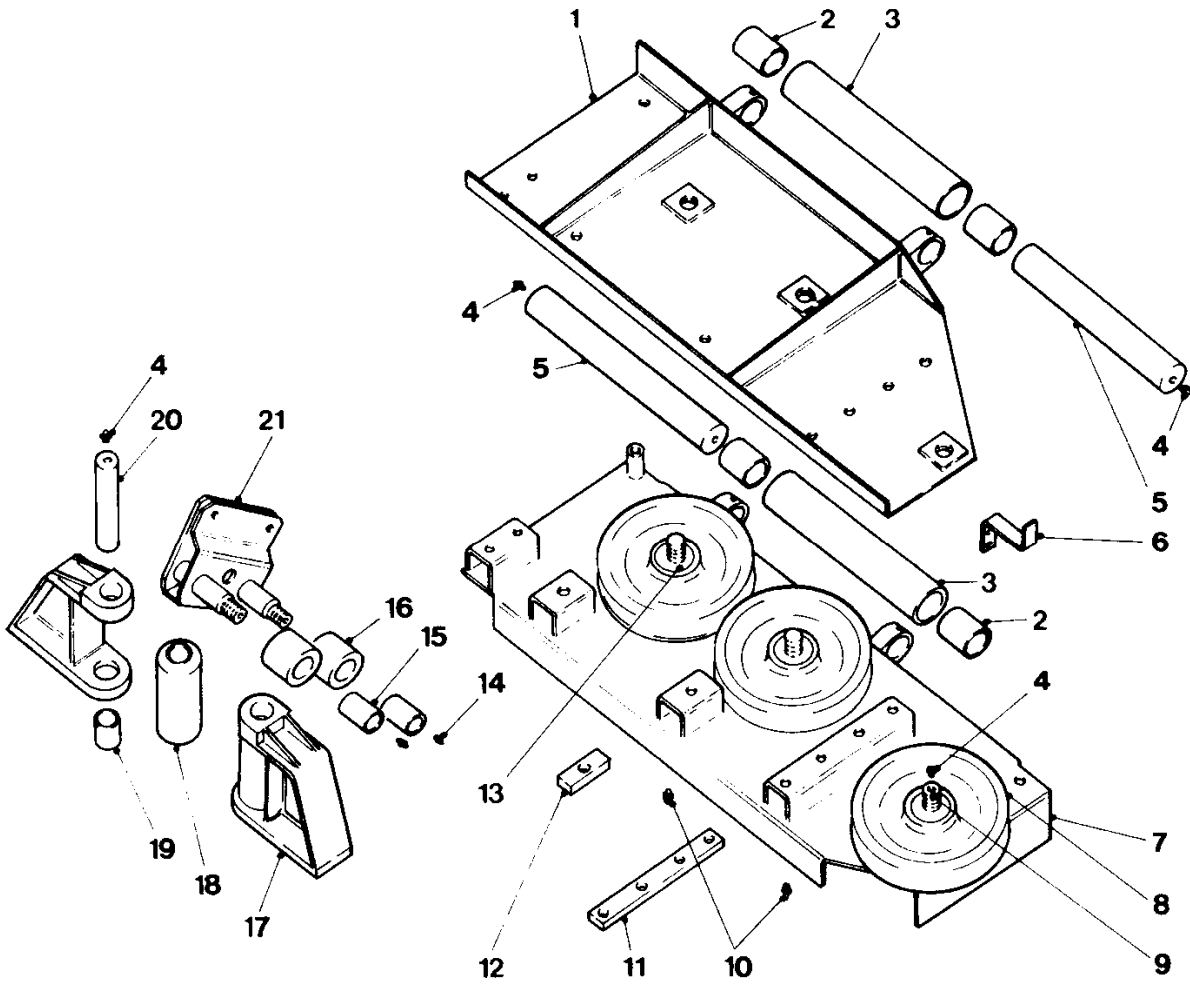
TOWING HOOK

S E R I A L	N U M B E R	G R O U P & I T E M N o.	D E S I G N A T I O N	M A N U F A C T U R E R S		N O O F F	E X P L O S I O N S	R E P A I R
				C O D E	P A R T N o.			
1	2	3	4	5	6	7	8	
004687	IAC	TOWING HOOK						
004688	001	FRAME ASSEMBLY, TOWING HOOK, FABRICATED	Z2813	ADEV225-807	1	N	B	
004689	000	BOLT, MACHINE, UNF, 2A, SAE GRADE 5 STEEL, HEX HD, ZINC COATED, 7/16IN BY 1-1/2IN LG	80204	B18-2	3	X	UFB	
004690	000	BOLT, MACHINE, UNF, 2A, SAE GRADE 5 STEEL, HEX HD, ZINC COATED, 7/16 IN. DIA BY 1-1/4IN. LG	80204	B18-2-1	2	X	UFB	
004691	000	NUT, SELF-LOCKING, HEXAGON, UNF, 2B, SAE GRADE 5 STEEL, ZINC COATED PASSIVATED, 7/16IN, W/NYLON INSERT	Z0635	NPD146-16-641	13	X	UFB	
004692	002	BEARING, SLEEVE, TOWING HOOK	Z2813	ADE(V) 225-628	2	X	FB	
004693	003	PINTLE ASSEMBLY, TOWING	Z0020	ADEV197-2	1	N	FB	
004694	004	RING, RETAINING, steel circlip ext for 16mm shaft	UQ912	B153	4	X	UFB	
004695	005	LOCK ASSEMBLY			1			
004696	000	SPRING INNER			1			
004697	000	SPRING OUTER			1			
004698	006	PIN, STRAIGHT, HEADLESS, CAD PLATED	Z0020	ADEV40-11	2	X	FB	
004699	000	FITTING, LUBRICATION, HYDRAULIC TYPE, STEEL, CAD OR ZINC PLATED, 1/8 IN.-27 NPTF EXT	Z1998	5B	1	X	UFB	
004700	007	PIN, COTTER SPLIT, MILD STEEL, 3/16IN BY 4IN LG	K7766	1574	1	X	UFB	
004701	008	RING, CONNECTING ROUND	Z0020	ADEV 94-67	1	X	UFB	
004702	009	CHAIN, WELDLESS, BRASS, NICKEL PLATED, FLAT LINK, LONG PITCH, CHANDELIER TYPE, APPROX 17 LINKS PER FT	ZQ105	222	1	X	UFB	
004703	010	SCREW, MACHINE, UNF, 2A, STEEL, FIL HD, SLOT DRIVE, ZINC COATED, NO. 10 BY 1/2 IN. LG	Z0544	ASB149	1	X	UFB	
004704	000	WASHER, LOCK, SPRING, STEEL, SINGLE TURN, CAD OR ZINC PLATED, 3/16 IN., 2 BA OR 10 UN SCREW SIZE	K7766	1802	1	X	UFB	
004705	011	CATCH PLATE TOWING HOOK	Z2813	ADE(V) 225-631	1	X	UFB	
004706	012	CHAIN, WELDLESS, BRASS, NICKEL PLATED, FLAT LINK, LONG PITCH, CHANDELIER TYPE, APPROX 17 LINKS PER FT	ZQ105	222	1	X	UFB	
004707	013	RING, CONNECTING ROUND	Z0020	ADE(V) 94-67	2	X	UFB	

S E R I A L	N U M B E R	G R O U P & I T E M N o.	D E S I G N A T I O N	M A N U F A C T U R E R S		N O O F F	E X P L O S I O N	L E V E L	R E P A I R
				C O D E	P A R T N o.				
1	2	3	4	5		6	7	8	9
004708	014	PIN, STRAIGHT, HEADED STEEL, 3IN LG BY 5/16IN DIA, W/CHAIN LINK HD	Z0020	ADEV5-9		1	X	UFB	
004709	015	PIN, STRAIGHT, HEADLESS STEEL, 5/16IN DIA BY 2IN LG W/ 3/32IN HOLE DRILLED IN CENTRE	Z0020	ADEV225-630		2	X	UFB	
004710	016	PIN, STRAIGHT, HEADLESS STEEL, 3/32IN DIA BY 5/8IN LG	31007	17283R1		1	X	UFB	
004711	017	PIN, LOCK STEEL, 1-13/16IN LG BY 14 SWG	Z0020	ADEV5-10		1	X	UFB	
004712	018	FITTING, LUBRICATION, HYDRAULIC TYPE, STEEL, CAD OR ZINC PLATED, 1/8 IN.-27 NPTF EXT	Z1998	5B		1	X	UFB	
004713	019	WASHER, FLAT STEEL, RC, ZINC COATED, 1-1/2IN BCLT SIZE	Z0544	B117		2	X	PB	
004714	020	PIN, COTTER SPLIT, MILD STEEL, 1/4IN BY 4IN LG	K7766	1574		1	X	UFB	
004715	021	NUT, SLOTTED, HEXAGON, UNF, 2B, STEEL, FORMED, ZINC COATED, 1-1/2 IN.	80204	B18-2		1	X	PB	

GROUP IAD

RPS02031

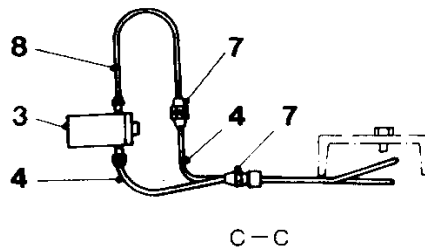
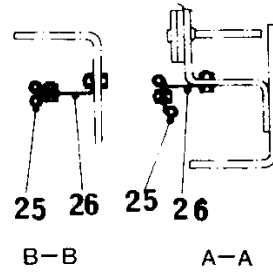
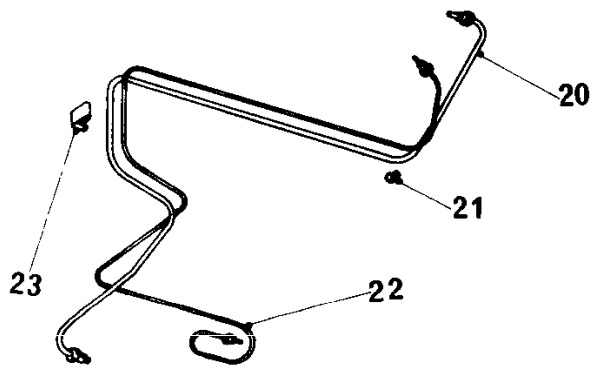
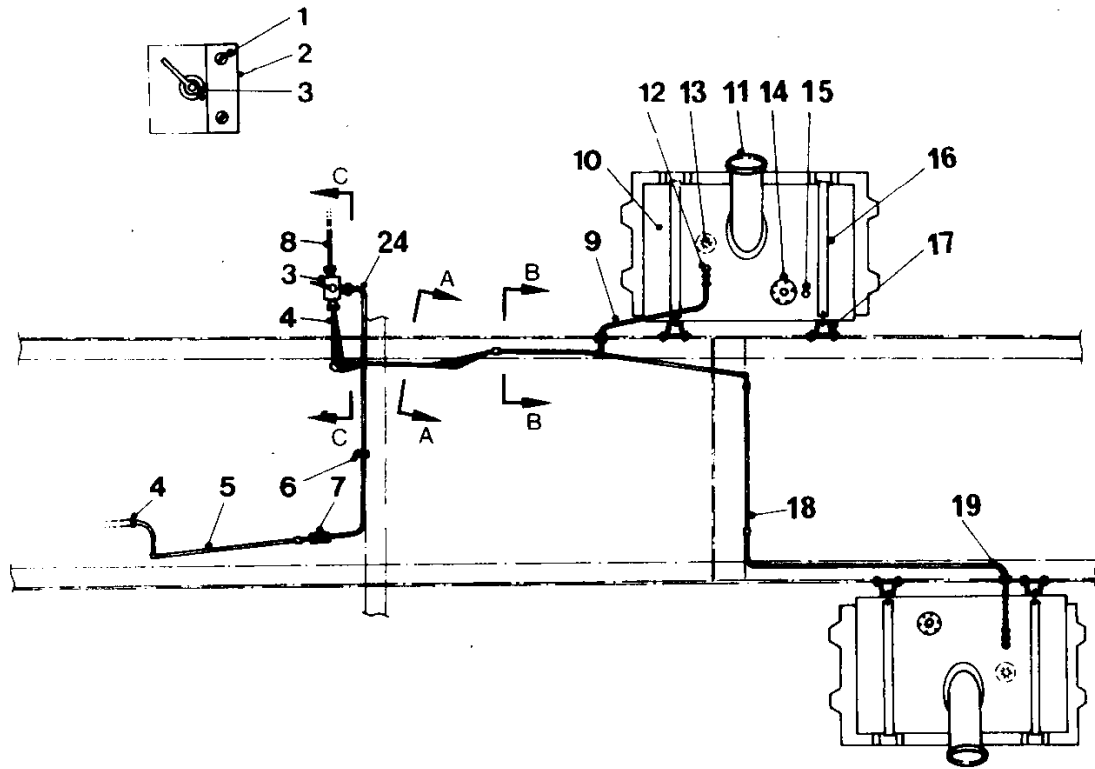


WINCH CABLE ROLLERS AND FAIR LEADS

SPECIAL NUMBER	GROUP & ITEM No.	DESIGNATION	MANUFACTURERS		NO. OF	EXPL. CLASS	LEVEL	OFF	R
			CODE	PART No.					
1	2	3	4	5	6	7	8		
004724	IAD	WINCH CABLE ROLLERS AND FAIRLEADS							
004725	001	HOUSING ASSEMBLY UPPER, FAIRLEAD ROLLERS	Z0020	ADE(V) 225-200-2	1	X		B	
004726	002	BEARING, SLEEVE, ROLLER, FRONT AND REAR FAIRLEAD	Z0020	TSEV106-36	4	X		PB	
004727	003	ROLLER, FRONT AND REAR FAIRLEAD	Z0020	TSEV106-34	2	X		PB	
004728	000	SCREW, MACHINE, UNF, 2A, SAE GRADE 5 STEEL, HEX HD, ZINC COATED, 3/8 IN. BY 3/4 IN. LG	80204	B18-2	4	X		UPB	
004729	000	NUT, PLAIN, HEXAGON, UNF 2B, STEEL, FORMED, ZINC COATED, 3/8 IN	80204	B18-2	4	X		UPB	
004730	004	FITTING, LUBRICATION, HYDRAULIC TYPE, STEEL, CAD PLATED 1/8 IN. NPT/EXT, 90 DEG	Z0200	HA43	6	X		UPB	
004731	005	SHAFT, STRAIGHT, FRONT ROLLER, FRONT FAIRLEAD	Z0020	ADEV225-221	2	X		B	
004732	006	BRACKET, DOUBLE ANGLE ROPE SUPPORT	Z0020	ADEV225-599	2	X		UPB	
004733	000	BOLT, MACHINE, UNF, 2A, SAE GRADE 5 STEEL, HEX HD, ZINC COATED, 3/8 IN BY 1-1/4 IN LG	80204	B18-2	2	X		UPB	
004734	000	WASHER, LOCK, SPRING, STEEL, SINGLE TURN, RECTANGULAR SECTION, CAD PLATED, 3/8 IN. BOLT SIZE	K7766	1802	4	X		UPB	
004735	000	NUT, PLAIN, HEXAGON, UNF 2B, STEEL, FORMED, ZINC COATED, 3/8 IN	80204	B18-2	2	X		UPB	
004736	007	MOUNTING PLATE ASSEMBLY, LOWER REAR FAIRLEAD	Z0020	ADEV225-177/2	1	X		B	
004737	008	PULLEY, GROOVE, REAR FAIRLEAD	Z0020	ADEV225-148	3	X		B	
004738	000	BOLT, MACHINE, UNF, 2A, SAE GRADE 5 STEEL, HEX HD, ZINC COATED, 5/8 IN BY 3-3/4 IN LG	80204	B18-2	3	X		PB	
004739	000	NUT, PLAIN, HEXAGON, UNF, 2B, STEEL, FORMED, ZINC COATED, 5/8 IN	80204	B18-2	3	X		PB	
004740	000	WASHER, LOCK SPRING STEEL, SINGLE TURN, RECTANGULAR SECTION, CAD PLATED, 5/8 IN BOLT SIZE	Z0745	5-8BOLD	3	X		PB	
004741	000	SCREW, MACHINE, UNF, 2A, SAE GRADE 5 STEEL, HEX HD, ZINC COATED, 3/8 IN BY 1 IN LG	80204	B18-2	3	X		PB	

SERIAL	NUMBER	GROUP & ITEM No.	DESIGNATION	MANUFACTURERS		NO. OF	EXPL. CLASS	LEVEL	OF	PART
				CODE	PART No.					
1	2	3	4	5	6	7	8	9	10	11
004742	000	NUT, PLAIN, HEXAGON, UNF 2B, STEEL, FORMED, ZINC COATED, 3/8IN	80204	B18-2	3	X				PB
004743	000	WASHER, LOCK, SPRING, STEEL, SINGLE TURN, RECTANGULAR SECTION, CAD PLATED, 3/8 IN. BOLT SIZE	K7766	1802	3	X				PB
004744	000	SCREW, MACHINE, UNF, 2A, SAE GRADE 5 STEEL, HEX HD, ZINC COATED, 5/8IN BY 1-1/2IN LG	80204	B18-2	1	X				PB
004745	000	NUT, PLAIN, HEXAGON, UNF, 2B, STEEL, FORMED, ZINC COATED, 5/8IN	80204	B18-2	1	X				PB
004746	000	WASHER, LOCK SPRING STEEL, SINGLE TURN, RECTANGULAR SECTION, CAD PLATED, 5/8IN BOLT SIZE	Z0745	5-8BOLTD	1	X				PB
004747	009	BOLT, FLUID PASSAGE, CENTRE SHEAVE	Z0020	ADEV225-120	3	X				PB
004748	000	NUT, PLAIN, HEXAGON SAE, STEEL ZINC COATED, 1IN-14 BOLT SIZE, 1.500IN A/F, 0.500IN THK	31007	217216	3	X				PB
004749	000	WASHER, LOCK SPRING, STEEL, SINGLE TURN, RECTANGULAR SECTION, CAD PLATED, 1IN BOLT SIZE	K7766	1802	3	X				PB
004750	010	FITTING, LUBRICATION, HYDRAULIC, STEEL, 45 DEG ANGLE, 1/8IN NPT/M	Z0200	HA138	2	X				UPB
004751	011	PLATE, WINCH ROLLER AND FAIRLEAD	Z0020	ADEV225-226	1	X				B
004752	012	NUT, PLAIN, RECTANGULAR	Z0020	ADEV225-225	2	X				B
004753	000	SCREW, MACHINE, UNF, 2A, SAE GRADE 5 STEEL, HEX HD, ZINC COATED, 5/8IN BY 1-1/4IN LG	80204	B18-2	6	X				PB
004754	000	WASHER, LOCK SPRING STEEL, SINGLE TURN, RECTANGULAR SECTION, CAD PLATED, 5/8IN BOLT SIZE	Z0745	5-8BOLTD	5	X				PB
004755	013	BEARING, SLEEVE, PULLEY SHAFT	Z0020	ADEV225-136	3	X				PB
004756	014	FITTING, LUBRICATION, HYDRAULIC, STEEL, 45 DEG ANGLE, 1/8IN NPT/M	Z0200	HA138	3	X				UPB
004757	015	BEARING, SLEEVE, ROLLER, FRONT AND REAR FAIRLEAD	Z0020	TSEV106-36	2	X				PB
004758	016	PULLEY, FLAT, WINCH CABLE	Z0020	ADEV225-639	2	X				PB
004759	017	VERTICAL FAIRLEAD ASSEMBLY	Z0020	ADEV225-164	2	X				UPB

SERIAL NUMBER	GROUP & ITEM No.	DESIGNATION	MANUFACTURERS		NO. OF	CLASS	LEVEL	UFB
			CODE	PART No.				
1	2	3	4	5	6	7	8	
004760	000	SET SCREW, UNC, 2A, STEEL, SQ HD, FULL DOG POINT, CAD PLATED, 5/16IN BY 1IN	Z0020	ADE(V) 225-519	2	X	UFB	
004761	000	NUT, PLAIN, HEXAGON, UNC 2B STEEL, FORMED, ZINC COATED, 5/16IN-18 BY 1/2IN W A/F BY 17/64IN H, WASHER FACED BEARING SURFACE	80204	B18-2	2	X	UFB	
004762	000	SCREW, MACHINE, UNF, 2A, SAE GRADE 5 STEEL, HEX HD ZINC COATED, 1/2IN BY 1-1/2IN LG	80204	B18-2	2	X	UFB	
004763	000	BOLT, MACHINE, UNF, 2A, SAE GRADE 5 STEEL, HEX HD, ZINC COATED, 1/2IN BY 5IN LG	80204	B18-2	6	X	UFB	
004764	000	NUT, PLAIN, HEXAGON, UNF 2B, STEEL, FORMED, ZINC COATED, 1/2IN	80204	B18-2	5	X	UFB	
004765	000	WASHER, LOCK, STEEL, SPRING, SINGLE TURN, RECTANGULAR SECTION, CAD PLATED, 1/2 IN. BOLT SIZE	K7766	1802	5	X	UFB	
004766	018	PULLEY, FLAT, VERTICAL FAIRLEADS ASSEMBLY	Z0020	ADEV225-642	2	X	FB	
004767	019	BEARING, SLEEVE, ROLLER, FRONT AND REAR FAIRLEAD	Z0020	TSEV106-36	4	X	FB	
004768	020	SHAFT, STRAIGHT, VERTICAL FAIRLEAD	Z0020	ADEV225-144	2	X	FB	
004769	021	FAIRLEAD, ROLLER, WINCH CABLE	Z2813	ADE(V) 225-135	1	X	UFB	
004770	000	BOLT, MACHINE, UNF, 2A, SAE GRADE 5 STEEL, HEX HD, ZINC COATED, 1/2 IN. BY 1-3/4 IN. LG	80204	B18-2	1	X	UFB	
004771	000	BOLT, MACHINE, UNF, 2A, SAE GRADE 5 STEEL, HEX HD, ZINC COATED, 1/2IN BY 1-1/2IN LG	80204	B18-2	1	X	UFB	
004772	000	BOLT, MACHINE, UNF, 2A, SAE GRADE 5 STEEL, HEX HD, ZINC COATED, 1/2IN BY 2IN LG	80204	B18-2	1	X	UFB	
004773	000	NUT, PLAIN, HEXAGON, UNF 2B, STEEL, FORMED, ZINC COATED, 1/2IN	80204	B18-2	3	X	UFB	
004774	000	WASHER, LOCK, STEEL, SPRING, SINGLE TURN, RECTANGULAR SECTION, CAD PLATED, 1/2 IN. BOLT SIZE	K7766	1802	3	X	UFB	



FUEL PUMP/VACUUM PIPES AND FUEL TANKS AND PIPING

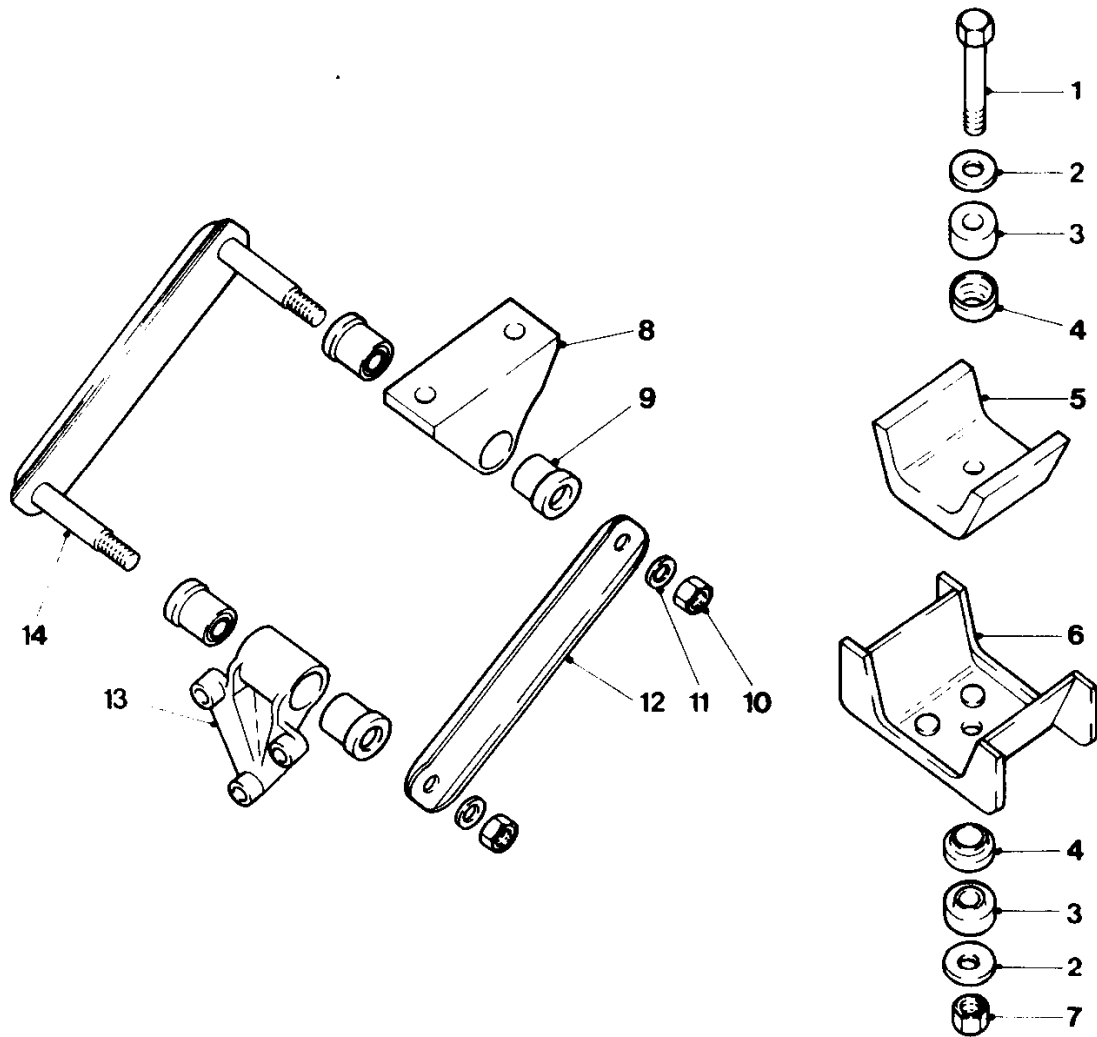
S E R I A L	N U M B E R	G R O U P & I T E M N O.	D E S I G N A T I O N	M A N U F A C T U R E R S		N O O F F	E X P. C L A S S	L E V E L	O F	P A R T
				C O D E	P A R T N O.					
1	2	3	4	5		6	7	8		
004795	IB	FUEL PUMP, VACCUUM PIPES AND FUEL TANKS AND PIPING								
004796	001	SCREW				2				
004797	002	PLATE, INSTRUCTION, FUEL TANK SELECTOR		Z2813	ADEV225-407	1	X			FB
004798	003	COCK, PLUG, 2 WAY, FUEL TANK SELECTOR		Z0020	ADE(V) 225-408	1	X			JFB
004799	004	HOSE ASSEMBLY, NONMETALLIC, FUEL 1/4 IN. ID BY 1/2 IN. OD BY 11 IN. LG		31007	167081R91	3	X			JFB
004800	005	PIPE, BENT, STEEL, FUEL COCK TO FUEL PUMP		Z2813	ADEV94-500	1	X			UPB
004801	006	CLIP CLOSED				5				
004802	007	NIPPLE, TUBE, BRASS, U/W 5/16IN OD TUBE, 1/2IN UNF/M EACH END, 45 DEG SEAT, HEX WRENCHING FLATS		Z0160	T227	3	X			UPB
004803	008	TUBE ASSEMBLY, METAL, 5/16 IN. OD, 0.028 IN. WALL THK		Z2813	ADEV94-567	1	X			UPB
004804	000	CLIP FLUID PIPE TO SIDEMEMBER		31007	115269	3	X			UPB
004805	009	TUBE ASSEMBLY, METAL, FUEL PIPE, RH TANK TO FUEL COCK		Z2813	ADEV150-54	1	X			UPB
004806	010	TANK, FUEL, ENGINE, STEEL, 30 U.S. GAL CAPACITY		Z2813	ADE(V) 94-264	2	N			FB
004807	000	SHIELD ASSEMBLY, FUEL TANK		Z2813	ADE(V) 94-450	2	X			FB
004808	000	NUT, PLAIN, HEXAGON, UNF 2B, STEEL, FORMED, ZINC COATED, 3/8IN		8Q204	B18-2	12	X			UPB
004809	000	BOLT LEVER TO SECTOR		31007	89531H	12	X			UPB
004810	000	WASHER, LOCK, SPRING, STEEL, SINGLE TURN, SQ SECTION, CAD PLATED, 3/8 IN. BOLT SIZE, 0.590 IN. OD, 0.092 IN. THK		K7766	BS1802TYPE A	12	X			UPB
004811	000	WASHER, FLAT, RD, STEEL, ZINC COATED, SMALL, 3/8 IN. BOLT SIZE, 3/4 IN. OD BY 0.072 IN. THK		ZQ544	B117	36	X			UPB
004812	011	CAP, FUEL TANK		Z0020	ADEV225-715	2	X			UPB
004813	000	CHAIN, WELDLESS, SINGLE JACK, STEEL, ZINC COATED, 14 GAUGE		ZQ549	112-14	1	X			UPB
004814	000	FILLER NECK, EXTENSION, FUEL TANK		Z0020	ADE(V) 94-266	2	X			UPB
004815	012	OUTLET UNIT, FUEL TANK		Z0020	ADE(V) 94-268	2	X			FB

S E R I A L	N U M B E R	G R O U P & I T E M N O	D E S I G N A T I O N	M A N U F A C T U R E R ' S		N O O F F	I N S T R U C T I O N A L C L A S S I F I C A T I O N	L E V E L O F	R E P A I R
				C O D E	P A R T N O.				
1	2	3	4	5	6	7	8		
C04816	000	GASKET, SYNTHETIC RUBBER, 1/2IN.DIA APERTURE BY 1/16IN.THK BY 1-3/4IN.O/A W.W/2 BOLT HOLES.3/1LIN.DIA ON 1/14IN.DIA BOLT CIRCLE	31007	107 810 R 1	2	X	FB		
004817	000	SCREW, MACHINE, UNF, 2A, MILD STEEL, RAISED CHEESE HD, SLOTTED, ZINC COATED, NO. 10 BY 3/8 IN.	K7766	3155	4	X	UFB		
004818	013	GASKET	31007	119 937	2	X	FB		
C04819	000	GASKET, SYNTHETIC RUBBER, 1/2IN.DIA APERTURE BY 1/16IN.THK BY 1-3/4IN.O/A W.W/2 BOLT HOLES.3/1LIN.DIA ON 1/14IN.DIA BOLT CIRCLE	31007	107 810 R 1	2	X	UFB		
004820	014	TRANSMITTER, LIQUID QUANTITY, FUEL	Z0009	884754R91	2	X	UFB		
004821	000	GASKET, FUEL GAUGE	31007	967074R1	2	X	UFB		
C04822	000	SCREW PAN HD NO 10 - 32 UNF 2A 1/2 MS			1)				
C04823	015	GAUGE, ROD-CAP, LIQUID LEVEL, STEEL, 12.690IN LG OPA, BY 0.250IN SQ STCK (FOR USE WITH TANK HAVING SENDER UNIT LEVEL WITH TOP OF TANK)	Z2813	ADE(V) 94-504	2	X	UFB		
C04824	000	GAUGE ROD, LIQUID LEVEL (FOR USE WITH TANK HAVING RECESSED SENDER UNIT)	Z0020	ADE(V) 94-271	2	X	UFB		
004825	000	SOCKET, FUEL LINES	Z0020	ADEV94-269	2	X	FB		
004826	000	GASKET, SYNTHETIC RUBBER, 1/2IN.DIA APERTURE BY 1/16IN.THK BY 1-3/4IN.O/A W.W/2 BOLT HOLES.3/1LIN.DIA ON 1/14IN.DIA BOLT CIRCLE	31007	107 810 R 1	2	X	UFB		
004827	000	SCREW, MACHINE, UNF, 2A, MILD STEEL, RAISED CHEESE HD, SLOTTED, ZINC COATED, NO. 10 BY 3/8 IN.	K7766	3155	4	X	UFB		
004828	000	WASHER, NONMETALLIC, RUBBER, 3/8IN. ID BY 3/4IN.OD BY 1/16IN.THK (DIP STICK SEALING)	Z0020	ADEV94-264-19	2	X	UFB		
004829	016	STRAP, MOUNTING, FUEL TANK	Z0020	ADE(V) 94-272	4	X	UFB		
C04830	017	BRACKET, ANGLE, FUEL TANK MOUNTING	Z2813	ADE(V) 94-275	4	X	FB		
C04831	000	BOLT, MACHINE, UNF, 2A, SAE GRADE 5 STEEL, HEX HD, ZINC COATED, 3/8IN BY 1-1/2IN LG	80204	B18-2	3	X	UFB		

S E R I A L	N U M B E R	G R O U P & I T E M N O.	D E S I G N A T I O N	M A N U F A C T U R E R S		P A R T N O.	Q T Y	U N I T S	R E M A R K S
				C O D E	P A R T N O.				
1	2	3	4	5		6	7	8	9
004832	000	BOLT, MACHINE, UNF, 2A, SAE GRADE 5 STEEL, HEX HD, ZINC COATED, 3/8IN BY 1-3/4IN LG	80204	B18-2			4	X	UPB
004833	000	NUT, PLAIN, HEXAGON, UNF 2B, STEEL, FORMED, ZINC COATED, 3/8IN	80204	B18-2			12	X	UPB
004834	000	WASHER, LOCK, SPRING, STEEL, SINGLE TURN, RECTANGULAR SECTION, CAD PLATED, 3/8 IN. BOLT SIZE	K7766	1802			12	X	UPB
004835	018	TUBE ASSEMBLY, METAL, FUEL PIPE, LH TANK TO FUEL COCK	Z2813	ADE(V) 150-53			1	X	UPB
004836	019	GROMMET, NONMETALLIC, SYNTHETIC, 0.781 IN. ID BY 1.250 IN. OD, 1 IN. OE BY 0.250 IN. W GROOVE, 0.500 IN. H O/A	Z0009	854 626 R1			2	X	UPB
004837	020	TUBE ASSEMBLY, METAL, FUEL PUMP TO CARBURETTOR	Z2813	ADEV225-798			1	X	UPB
004838	021	CLIP, RETAINING	31007	172915R1			2	X	UPB
004839	022	TUBE ASSEMBLY, METAL, CARBURETTOR TO DISTRIBUTOR	Z2813	ADEV225-745			1	X	UPB
004840	023	BRACKET PIPES							
004841	000	BRACKET, ANGLE, FUEL LINE	Z2813	ADEV225-805			1	X	UPB
004842	000	GROMMET, NONMETALLIC, RUBBER, 1 IN. OD BY 3/8 IN. DIA HOLE BY 3/4 IN. OD GROOVE BY 1/16 IN. W GROOVE	Z2813	ADEV150-30			2	X	UPB
004843	000	GROMMET, NONMETALLIC, RUBBER, 1-5/16 IN. OD BY 7/16 IN. DIA HOLE BY 1-1/16 IN. OD GROOVE BY 1/16 IN. W GROOVE	Z0273	EG35			1	X	UPB
004844	024	TUBE ASSEMBLY, METAL, STEEL, 5/16 IN. OD, 0.028 IN. WALL THK, 1/2 IN. UNF FEMALE FITTINGS	Z2813	ADEV94-499			1	X	UPB
004845	025	CLIP CLOSED					6		
004846	026	CLIP EXTENSION					1		

GROUP JA

RPS02031



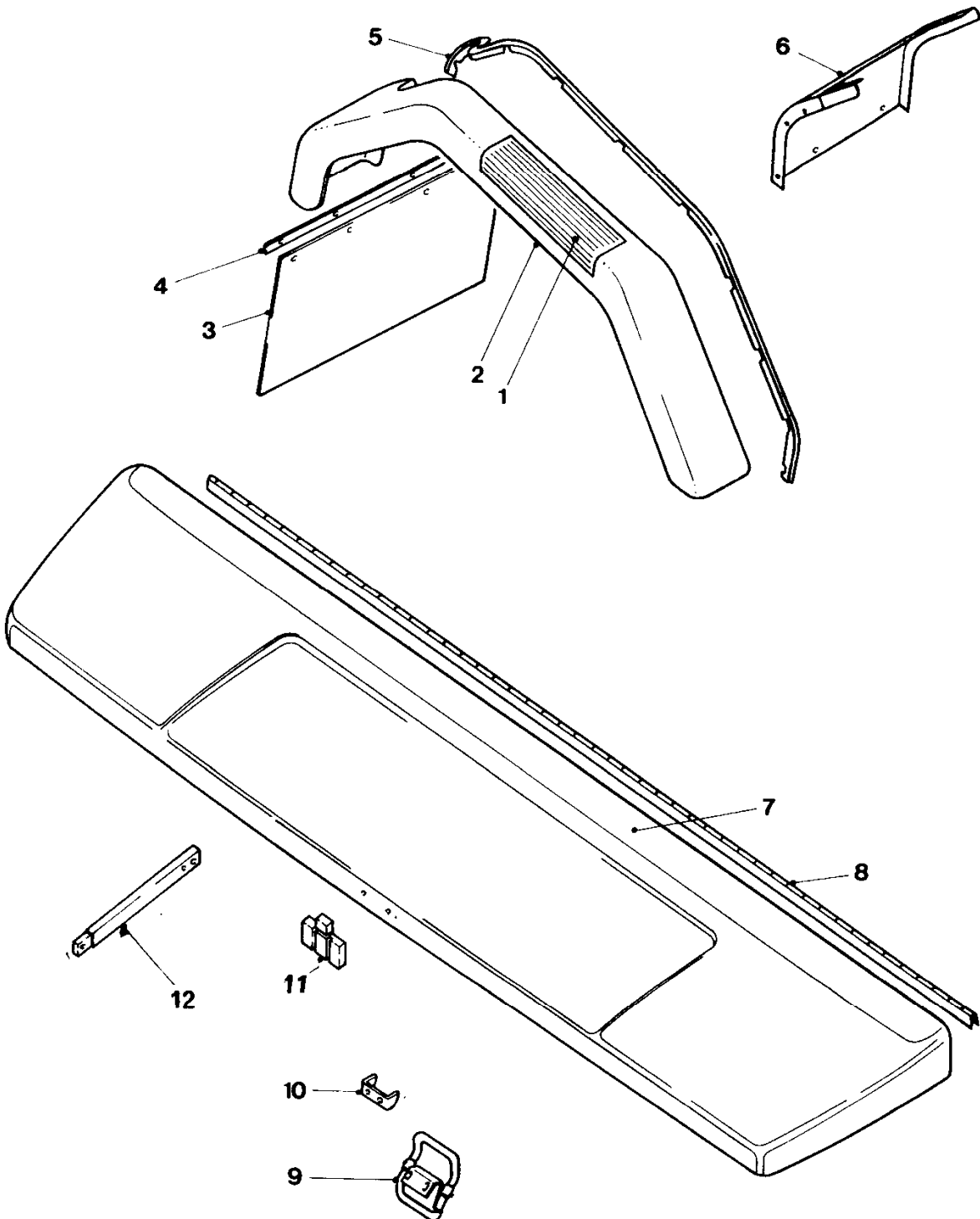
CAB MOUNTING

SERIAL	NUMBER	GROUP & ITEM No.	DESIGNATION	MANUFACTURERS		NO. OFF	EXPL. CLASS	LEVEL	FO	SUPPL.
				CODE	PART No.					
1	2	3	4	5	6	7	8			
004865	JA		CAB MOUNTING							
004866	001		BOLT, MACHINE, UNF, 2A, SAE GRADE 5 STEEL, HEX HD, ZINC COATED, 1/2IN BY 3-1/2IN LG	80204	B18-2	2	X			FB
004867	002		WASHER, FLAT, RD, STEEL, PHOSPHATED, 17/32 IN. ID BY 1-1/2 IN. OD BY 0.128 IN. TUBE	31007	12 000 R1	4	X			FB
004868	003		BUSHING, RUBBER SYNTHETIC RUBBER 33/64IN. ID, 55/64IN. OD BY 9/64IN. LG BODY, W/FLANGE 1-17/32IN OD BY 33/64IN. W, 21/32IN. O/A LG	31007	98680H	4	X			FB
004869	004		RETAINER, INSULATOR	31007	72799H	4	X			FB
004870	005		MOUNT, RESILIENT, RUBBER, 2.750IN W BY 3.688IN LG OF FLANGE, 2IN H, 0.438IN ID OF HOLE	Z0020	ADEV225-383	2	X			FB
004871	006		BRACKET, MOUNTING, CAB FRONT	Z2813	ADE(V) 225-382-1	2	X			B
004872	007		NUT, SELF-LOCKING, HEXAGON, UNF 2B, P STEEL, TYPE P ZINC COATED, 1/2IN W/NYLON INSERT	Z0635	NPD166-1	2	X			FB
004873	008		BRACKET, MOUNTING, CAB REAR	Z0020	ADEV2225-157	2	X			B
004874	000		SCREW, MACHINE, UNF, 2A, SAE GRADE 5 STEEL, HEX HD, ZINC COATED, 3/8IN BY 1IN LG	80204	B18-2	4	X			B
004875	000		WASHER, LOCK, SPRING, STEEL, SINGLE TURN, RECTANGULAR SECTION, CAD PLATED, 3/8 IN. BOLT SIZE	K7766	1802	4	X			B
004876	000		NUT, PLAIN, HEXAGON, UNF 2B, STEEL, FORMED, ZINC COATED, 3/8IN	80204	B18-2	4	X			B
004877	009		BEARING, SLEEVE, SHACKLE	31007	142693R1	3	X			FB
004878	010		NUT, PLAIN, HEXAGON, UNF 2B, STEEL, FORMED, ZINC COATED, 1/2IN	80204	B18-2	4	X			FB
004879	011		WASHER, LOCK, STEEL, SPRING, SINGLE TURN, RECTANGULAR SECTION, CAD PLATED, 1/2 IN. BOLT SIZE	K7766	1802	4	X			FB
004880	012		PLATE, CAB MOUNTING SHACKLE	Z2813	ADE(V) 225-96	2	X			FB
004881	013		BRACKET, MOUNTING FRAME, CAB REAR	Z0009	854411R1	2	X			B
004882	000		SCREW, MACHINE, UNF, 2A, SAE GRADE 5 STEEL, HEX HD, ZINC COATED, 5/16 IN. BY 1 IN. LG	80204	B18-2-1	6	X			FB

S E R I A L	N U M B E R	G R O U P & I T E M N o.	D E S I G N A T I O N	M A N U F A C T U R E R S		N O O F F	E X P C L A S S	L E V E L	O F	R E P A I R
				C O D E	P A R T N o.					
1	2	3	4	5		6	7	8		
004883	000	WASHER, LOCK, SPRING, STEEL, SINGLE TURN, RECTANGULAR SECTION, CAD PLATED, 5/16 IN. BOLT SIZE	17600	DX252		6	X			FB
004884	014	SHACKLE, MOUNTING, CAB REAR	Z2813	ADE(V) 225-94-1		2	X			FB

GROUP JB

RPS02031



HOOD AND FENDER

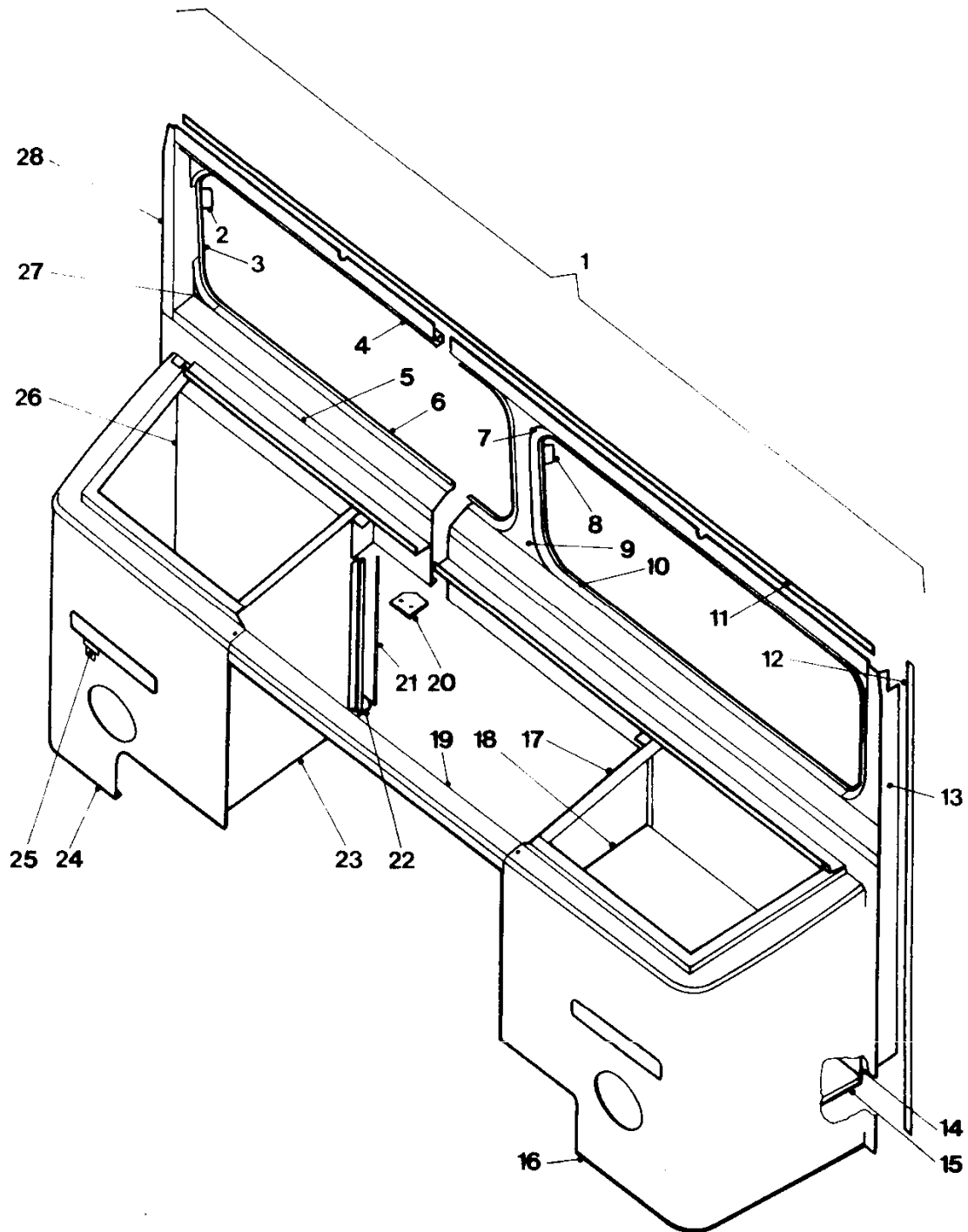
S E R I A L	N U M B E R	G R O U P & I T E M N O.	D E S I G N A T I O N	M A N U F A C T U R E R S		N O O F F	E X P C L A S S	L E V E L	O F	R E P A I R
				C O D E	P A R T N O.					
1	2	3	4	5		6	7	8		
004905	JB	HOOD AND FENDER								
004906	001	TREAD, METALLIC, NONSKID FENDER	Z2813	ADE(V) 225-684		2	X			UFB
004907	000	SCREW, MACHINE, UNF, 2A, MILD STEEL, PLAT CSK ED, SLOTTED, ZINC COATED, NO. 10 BY 3/4 IN.	Z0544	B149		3	X			UFB
004908	000	NUT, PLAIN, HEXAGON, UNF, 2B, "A" STEEL, ZINC COATED, NO 10	K7766	3155		3	X			UFB
004909	000	WASHER, FLAT, RD, STEEL, CAD PLATED, LARGE, 1 BA, 12 UN OR 7/32 IN. SCREW SIZE	Z0544	B85		3	X			UFB
004910	002	FENDER, VEHICULAR FRONT, RH	Z2813	ADE(V) 225-683-2		1	N			UFB
004911	000	FENDER, VEHICULAR FRONT, LH	Z2813	ADE(V) 225-683-1		1	N			FB
004912	000	SCREW, MACHINE, UNF, 2A, SAE GRADE 5 STEEL, HEX HD, ZINC COATED, 5/16IN BY 3/4IN LG	80204	B18-2		16	X			UFB
004913	000	WASHER, LOCK, STEEL, SHAKEPROOF, CAD PLATED, DISHED TYPE, INTERNAL TOOTH, TOOTHED PERIPHERY, 5/16IN BOLT SIZE	Z0009	884 402 R1		15	X			UFB
004914	000	WASHER, FLAT, RD, STEEL, ZINC COATED, 5/16IN. 5/8 IN. OD BY 0.072 IN. THK	Z1272	038-060		15	X			UFB
004915	000	NUT, PLAIN, HEXAGON, UNF, 2B, STEEL, FORMED, ZINC COATED, 5/16 IN.	Z1272	034-079		4	X			UFB
004916	003	GUARD, SPLASH, WHEEL, REINFORCED RUBBER, 22IN LG 16IN W, 3/16IN THK	Z0020	ADEV225-686		2	X			UFB
004917	004	STRAP, MUD FLAP	Z0020	ADEV225-685		2	X			UFB
004918	000	SCREW, MACHINE, UNF, 2A, SAE GRADE 5 STEEL, HEX HD, ZINC COATED, 5/16 IN. BY 1 IN. LG	80204	B18-2-1		6	X			UFB
004919	000	WASHER, FLAT, RD, STEEL, ZINC COATED, 5/16IN. 5/8 IN. OD BY 0.072 IN. THK	Z1272	038-060		5	X			UFB
004920	000	WASHER, LOCK, SPRING, STEEL, SINGLE TURN, RECTANGULAR SECTION, CAD PLATED, 5/16 IN. BOLT SIZE	17600	DX252			X			UFB
004921	000	NUT, PLAIN, HEXAGON, UNF, 2B, STEEL, FORMED, ZINC COATED, 5/16 IN.	Z1272	034-079		5	X			UFB
004922	005	ANTISQUEAK, PRE-CUT AND DRILLED	Z0020	ADE(V) 225-507-1		1	X			FB

SERIAL	NUMBER	GROUP & ITEM No.	DESIGNATION	MANUFACTURERS		NO OF	EXP CLASS	LEVEL	OFF	PART
				CODE	PART No.					
1	2	3	4	5	6	7	8	9	10	
004923	000	ANTISQUEAK, PRE-CUT AND DRILLED, PLASTIC, 1-1/4IN W BY 72IN LG, FRONT FENDER, RH	Z0020	ADEV225-507-2	1	X			FB	
004924	006	FENDER ASSEMBLY REAR, RH	Z2813	ADE(V) 225-722-2	1	X			FB	
004925	000	FENDER ASSEMBLY REAR, LH	Z2813	ADE(V) 225-722-1	1	X			FB	
004926	000	SCREW, MACHINE, UNF, 2A, SAE GRADE 5 STEEL, HEX HD, ZINC COATED, 5/16IN BY 3/4IN LG	8Q204	B18-2	6	X			UPFB	
004927	007	PANEL ASSEMBLY, HOOD	Z0020	ADEV94-469	1	N			UPFB	
004928	008	HINGE, BUTT, HOOD TO COWL	Z0020	ADEV94-471	1	X			FB	
004929	000	SCREW, MACHINE, UNF, PAN HD, CROSS RECESSED, NO 10 BY 3/4IN	31007	160059	3	X			FB	
004930	000	WASHER, LOCK STEEL, SHAKEPROOF, CAD PLATED, INTERNAL TYPE 12, 3/16IN, NO2BA OR NO10UN SCREW SIZE	Z0088	1210	1	X			FB	
004931	009	LATCH ASSEMBLY, HOOD	Z0009	886582R1	1	X			FB	
004932	000	SPRING, HELICAL, TORSION, SPRING STEEL, BONNET LATCH Z0009 886587R1	Z0009	886587R1	1	X			FB	
004933	000	RING, RETAINING	31007	379310R1	2	X			FB	
004934	000	HINGE ASSEMBLY HOOD	Z0009	857178R9	2	X			FB	
004935	010	STRIKE, CATCH, STEEL, 1.000IN.W BY 2.250IN.LG BY C. 850IN.H	Z0009	886588R1	2	X			UPFB	
004936	000	SCREW, MACHINE, UNF, 2A, SAE GRADE 5 STEEL, HEX HD, ZINC COATED, 1/4IN BY 1/2IN LG	Z1272	030-111	4	X			UPFB	
004937	000	WASHER, LOCK, STEEL, SHAKE PROOF, CAD PLATED, EXTERNAL TYPE 11, 1/4IN. (NO. 0 BA OR 14UN) BOLT SIZE	Z0327	GES124-6	4	X			UPFB	
004938	011	EMBLEM, HOOD	Z2813	ADE(V) 94-472	1	X			UPFB	
004939	000	SCREW, ASSEMBLED WASHER, UNC, 2A, STEEL, PAN HD, CROSS-RECESS DRIVE, CAD OR ZINC PLATED, NO. 10 BY 3/8 IN. LG W/EXTERNAL TOOTH STEEL WASHER	31007	188749	2	X			UPFB	
004940	012	ROD, HOOD SUPPORT	Z0009	885957R1	1	X			UPFB	
004941	000	BOLT, SHOULDER	31007	100776H	1	X			UPFB	
004942	000	WASHER, LOCK, 3/8IN BY 3/4IN	31007	83723R1	1	X			UPFB	

SERIAL	NUMBER	GROUP & ITEM No.	DESIGNATION	MANUFACTURERS		N C O F F	E X P L O S I V E	C L A S S	L E V E L	P L A N E
				CODE	PART No.					
1	2		3	4	5	6	7		8	
004943	000		WASHER, FLAT, RD, STEEL, CAD PLATED, 1/4 IN. BOLT SIZE, 0.312 IN. NOM ID, 0.734 IN. NOM OD, 0.005 IN. NOM THK 96906MMS27183-11	04773	D17000A	1	X			UPB
004944	000		WASHER, LOCK, STEEL, SHAKEPROOF, INTERNAL-EXTERNAL TEETH, CAD OR ZINC PLATED, 1/4 IN. BOLT SIZE, 0.760 IN. OD, 0.040 IN. THK	31007	174916	1	X			UPB
004945	000		NUT, PLAIN, HEXAGON, UNF, 2B, STEEL, FORMED, ZINC COATED, 1/4 IN.	8Q204	B18-2	1	X			UPB
004946	000		RUBBER SPECIAL SHAPED SECTION, HOODLH	Z0009	857701R1	1	X			PB
004947	000		BOLT, SHOULDER, HOOD PROP TO BODY	ZQ009	885959R1	1	X			UPB
004948	000		WASHER, LOCK, 3/8 IN BY 3/4 IN	31007	83723R1	1	X			UPB
004949	000		WASHER, FLAT, RD, STEEL, CAD PLATED, 1/4 IN. BOLT SIZE, 0.312 IN. NOM ID, 0.734 IN. NOM OD, 0.065 IN. NOM THK 96906MMS27183-11	04773	D17000A	1	X			UPB
004950	000		WASHER, LOCK, SPRING STEEL, SINGLE TURN, RECTANGULAR SECTION, CAD PLATED, 1/4 IN BOLT SIZE	K7766	1802	1	X			UPB
004951	000		WASHER, LOCK, STEEL, SHAKEPROOF, INTERNAL-EXTERNAL TEETH, CAD OR ZINC PLATED, 1/4 IN. BOLT SIZE, 0.760 IN. OD, 0.040 IN. THK	31007	174916	1	X			UPB
004952	000		NUT, PLAIN, HEXAGON, UNF, 2B, STEEL, FORMED, ZINC COATED, 1/4 IN.	8Q204	B18-2	1	X			UPB
004953	000		BUMPER, RUBBER, HOOD OPENING	Z0009	886054R1	2	X			UPB

GROUP JC

RPS02031



CAB FRONT END

S P R I T A L	N U M B E R	G R O U P & I T E M N o.	D E S I G N A T I O N	M A N U F A C T U R E R S		N O O F F	E X P L O S I V E	C L A S S	L E V E L	O F	R E P A R T
				C O D E	P A R T N o.						
1	2	3	4	5		6	7	8			
C04990	JC	CAB FRONT END									
004991	001	CAB ASSEMBLY, FRONT	Z0020	ADEV94-409		1	N			B	
C04992	002	BRACKET WINDSHIELD PRQP BODY OUTER, LH				1					
004993	000	BRACKET WINDSHIELD PRQP BODY OUTER, RH				1					
004994	003	SUPPORT WEATHER STRIP TO WINDSHIELD OUTER	Z2813	ADE (V) 94-457		2	X			FB	
004995	004	HEADER, WINDSHIELD	Z2813	ADE (V) 94-431		1	X			B	
004996	005	CHANNEL DRAIN	Z2813	ADE (V) 94-456		1	X			B	
004997	006	RAIL ASSEMBLY, WINDSHIELD BELT	Z2813	ADE (V) 94-410		1	X			B	
004998	007	PLATE FILLER WINDSHIELD DIVISION POST LOWER	Z2813	ADE (V) 94-459		1	X			B	
004999	008	BRACKET WINDSHIELD PRQP BODY INNER L/H	Z0020	ADEV94-455-1		1	X			B	
005000	000	BRACKET WINDSHIELD PRQP BODY INNER R/H	Z0020	ADEV94-455-2		1	X			B	
C05001	009	POST WINDSHIELD DIVISION WELDED ASSEMBLY				1					
005002	010	FILLER WINDSHIELD DIVISION POST UPPER				2					
005003	000	SCREW, MACHINE, UHF, 2A, MILD STEEL, FLAT CSK ED, SLOTTED, ZINC COATED, 1/4 IN. BY 5/8 IN.	Z0544	B149		4	X			B	
C05004	011	GASKET CORK AND NEOPRENE, 76.600IN LONG BY 1IN W BY 1/10IN THK	Z0009	857192R1		1	X			B	
C05005	012	SEAL, CAB FRONT END SIDE	Z0009	857193R1		1	X			B	
005006	013	BRACKET, ANGLE	Z2813	ADE (V) 94-475-1		1	X			B	
C05007	014	PANEL COWL SIDE INNER LEFT HAND				1					
005008	015	PANEL ASSEMBLY, COWL, FRONT INNER AND TOE BOARD	Z2813	ADE (V) 94-399-1		1	X			B	
005009	000	PANEL ASSEMBLY, COWL, FRONT INNER AND TOE BOARD	Z0020	ADE (V) 94-399-2		1	X			B	
C05010	016	PANEL ASSEMBLY, RADIATOR, LH SIDE	Z2813	ADE (V) 94-400-1		1	X			B	
005011	017	PANEL ASSEMBLY, RADIATOR SIDE, LH	Z2813	ADE (V) 94-401-1		1	X			B	
005012	018	SUPPORT, PANEL, BATTERY BOX	Z0009	886069R11		1	X			B	
005013	019	CROSSMEMBER ASSEMBLY, UPPER	Z2813	ADE (V) 94-404		1	X			B	

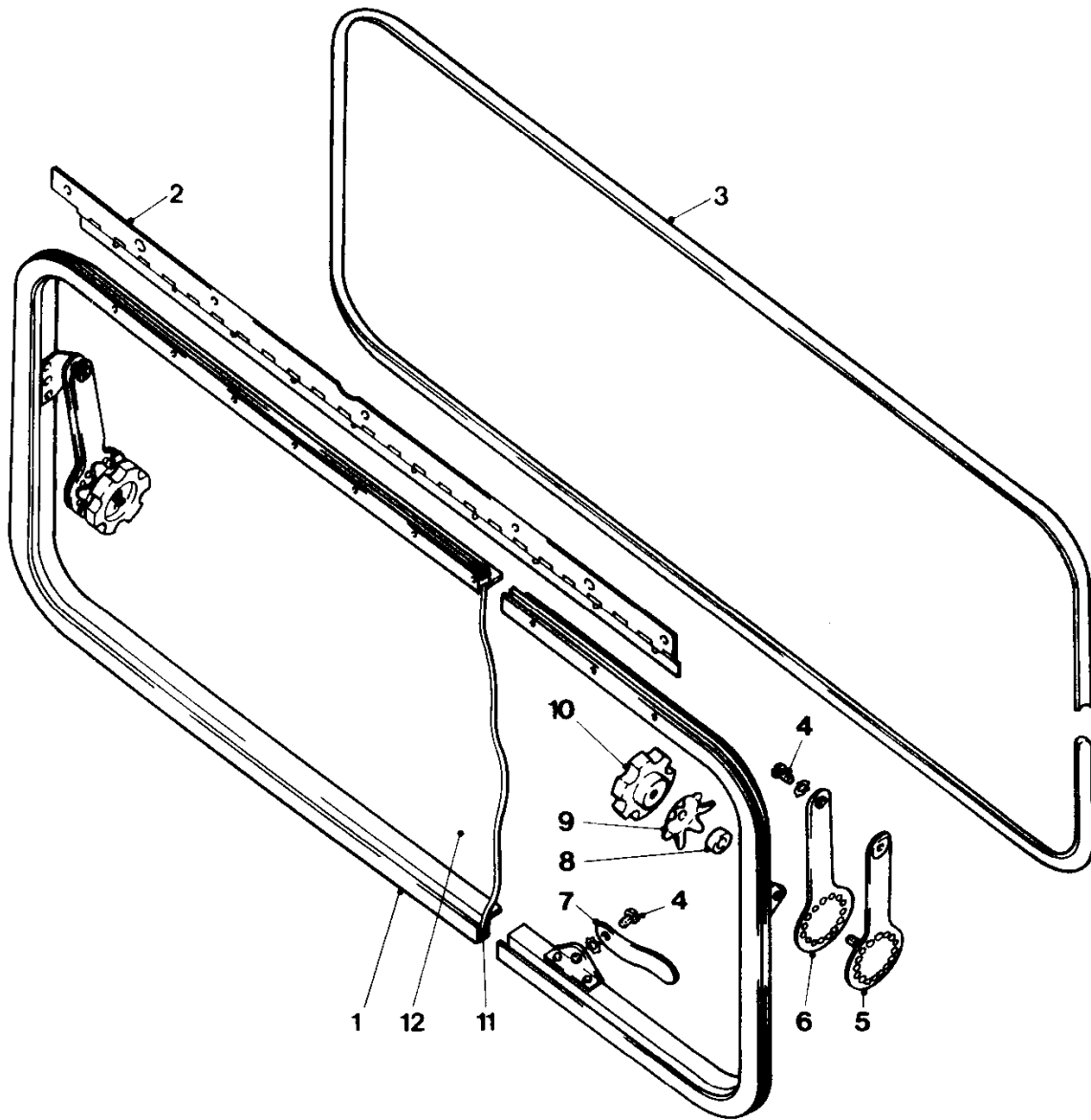
SERIAL	NUMBER	GROUP & ITEM No.	DESIGNATION	MANUFACTURERS		NO. OF	EXP. CLASS	LEVEL OF REPAIR
				CODE	PART No.			
1	2	3	4	5	6	7	8	
005014	000	SCREW, MACHINE, UNF, 2A, SAE GRADE 5 STEEL, HEX HD, ZINC COATED, 5/16 IN. BY 1 IN. LG	80204	B18-2-1	2	X	FB	
005015	000	WASHER, FLAT, RD, STEEL, ZINC COATED, 5/16 IN. 5/8 IN. OD BY 0.072 IN. THK	Z1272	038-060	2	X	FB	
005016	000	WASHER, LOCK, SPRING, STEEL, SINGLE TURN, RECTANGULAR SECTION, CAD PLATED, 5/16 IN. BOLT SIZE	17600	DX252	2	X	FB	
005017	000	NUT, PLAIN, HEXAGON, UNF, 2B, STEEL, FORMED, ZINC COATED, 5/16 IN.	Z1272	034-079	2	X	FB	
005018	000	SCREW, MACHINE, UNF, 2A, MILD STEEL, FLAT CSK ED, SLOTTED, ZINC COATED NO. 10 BY 1/2 IN LG	Z0544	B149	15	X	FB	
005019	000	WASHER, FLAT, RD, STEEL, ZINC COATED, LARGE, 2EA, 10 UN OR 3/16 IN. SCREW SIZE	Z0544	B85	2	X	FB	
005020	000	WASHER, LOCK STEEL, SHAKEPROOF, CAD PLATEL, INTERNAL TYPE 12, 3/16IN, NO2BA OR NO10UN SCREW SIZE	Z0088	1210	2	X	FB	
005021	000	NUT, PLAIN, HEXAGON, UNF, 2B, "A" STEEL, ZINC COATED, NO 10	K7766	3155	2	X	FB	
005022	020	SEAL, RUBBER, STRIP RADIATOR COMPARTMENT TO BELT RAIL	Z0009	857654R1	2	X	FB	
005023	021	NONMETALLIC SPECIAL SHAPED SECTION, C292 BUMPER STRIP	Z0009	856886 R1	2	X	FB	
005024	022	PANEL ASSEMBLY, COWL, FRONT INNER AND TOE BOARD	Z0020	ADE(V) 94-399-2	1	X	B	
005025	023	PANEL, ASSEMBLY, RADIATOR SIDE, RH	Z2813	ADE(V) 94-401-2	1	X	B	
005026	024	PANEL ASSEMBLY, RADIATOR, RH SIDE	Z2813	ADE(V) 94-400-2	1	X	B	
005027	025	CHAMBER, AIR VENT	Z0009	885988R11	2	X	B	
005028	026	PANEL, COWL, SIDE, INNER, RH	Z0009	885963R1	1	X	B	
005029	027	GUSSET WINDSHIELD CORNER OPENING	Z2813	ADE(V) 94-458	3	X	B	
005030	028	BRACKET, ANGLE	Z2813	ADE(V) 94-475-2	1	X	B	
005031	000	SCREW, MACHINE, UNF, 2A, SAE GRADE 5 STEEL, HEX HD, ZINC COATED, 5/16 IN. BY 1 IN. LG (FRONT END TO CAB)	80204	B18-2-1	16	X	B	
005032	000	WASHER, FLAT, RD, STEEL, ZINC COATED, 5/16 IN. 5/8 IN. OD BY 0.072 IN. THK	Z1272	038-060	16	X	B	

SERIAL NUMBER	GROUP & ITEM No.	DESIGNATION	MANUFACTURERS		NO. OFF	EXP. CLASS	LEVEL	OF	REPAIR
			CODE	PART No.					
1	2	3	4	5	6	7	8		
005033	000	WASHER, LOCK, SPRING, STEEL, SINGLE TURN, RECTANGULAR SECTION, CAD PLATED, 5/16 IN. BOLT SIZE	17600	DX252	15	X		B	
005034	000	SCREW, MACHINE, UNF, 2A, SAE GRADE 5 STEEL, HEX HD, ZINC COATED, 5/16 IN. BY 1 IN. LG (DOORS TO CAB)	80204	B18-2-1	3	X		B	
005035	000	WASHER, LOCK, SPRING, STEEL, SINGLE TURN, RECTANGULAR SECTION, CAD PLATED, 5/16 IN. BOLT SIZE	17600	DX252	3	X		B	
005036	000	NUT, PLAIN, HEXAGON, UNF 2B, STEEL, FORMED, ZINC COATED, 1/2 IN (BELT RAIL TO ENGINE COMPARTMENT)	80204	B18-2	4	X		B	
005037	000	WASHER, FLAT, RD, STEEL, ZINC COATED, SMALL, 3/8 IN. BOLT SIZE, 3/4 IN. OD BY 0.072 IN. THK	20544	B117	4	X		B	
005038	000	WASHER, LOCK, SPRING, STEEL, SINGLE TURN, RECTANGULAR SECTION, CAD PLATED, 3/8 IN. BOLT SIZE	K7766	1802	4	X		B	
005039	000	NUT, PLAIN, HEXAGON, UNF 2B, STEEL, FORMED, ZINC COATED, 3/8 IN	80204	B18-2	4	X		B	
005040	000	SCREW, MACHINE, UNF, 2A, SAE GRADE 5 STEEL, HEX HD, ZINC COATED, 5/16 IN. BY 1 IN. LG (GUSSET TO FLOOR)	80204	B18-2-1	3	X		B	
005041	000	WASHER, LOCK, SPRING, STEEL, SINGLE TURN, RECTANGULAR SECTION, CAD PLATED, 5/16 IN. BOLT SIZE	17600	DX252	3	X		B	
005042	000	SCREW, MACHINE, UNF, 2A, SAE GRADE 5 STEEL, HEX HD, ZINC COATED, 5/16 IN. BY 1 IN. LG (FRONT END AND WINDSHIELD TO CAB)	80204	B18-2-1	10	X		B	
005043	000	WASHER, FLAT, RD, STEEL, ZINC COATED, 5/16 IN. 5/8 IN. CD BY 0.072 IN. THK	21272	038-060	10	X		B	
005044	000	WASHER, LOCK, SPRING, STEEL, SINGLE TURN, RECTANGULAR SECTION, CAD PLATED, 5/16 IN. BOLT SIZE	17600	DX252	10	X		B	
005045	000	SCREW, MACHINE, UNF, 2A, STEEL, TRUDD HS, 1/4 IN BY 1 IN LG (TOEBOARD TO FLOOR)	31007	272529	4	X		B	
005046	000	WASHER, LOCK, STEEL, SHAKE PROOF, CAD PLATED, EXTERNAL TYPE 11, 1/4 IN. (NO. 0 BA OR 14UN) BOLT SIZE	Z0327	GES124-6	4	X		B	

FOOTNOTE: PAGE 206 INTENTIONALLY NOT INCLUDED IN THIS RPS

GROUP JD

RPS02031



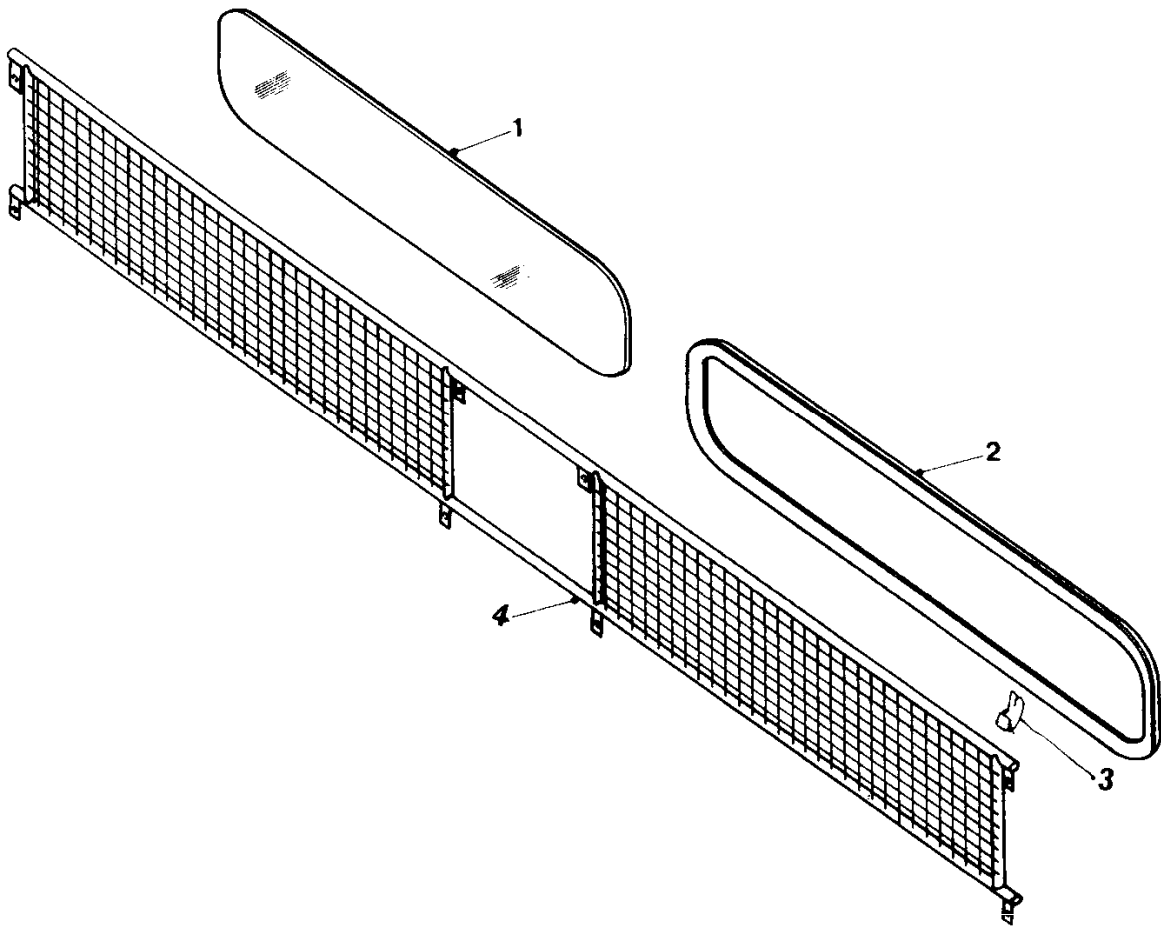
WINDSHIELD ASSEMBLY

SERIAL	NUMBER	GROUP & ITEM No	DESIGNATION	MANUFACTURERS		NO OF	EXPL CLASS	LEVEL	OFF	REPAIR
				CODE	PART No					
1	2	3	4	5	6	7	8			
005067	JD		WINDSHIELD ASSEMBLY							
005068	001		WINDSHIELD ASSEMBLY FLAT, VEHICULAR	Z0020	ADEV94-162	2	X			FB
005069	002		HINGE, BUTT, WINDSHIELD, LH, 31.50 IN. O/A LG, 2.50 IN. W OPEN	Z2813	ADEV94-158ISSUE1	1	X			FB
005070	000		HINGE, BUTT, WINDSHIELD, RH, 31.50 IN. O/A LG, 2.50 IN. W OPEN	Z2813	ADEV94-157ISSUE1	1	X			FB
005071	000		SCREW, MACHINE, UNF, 2A, MILD STEEL, PAN HD, SLOTTED, ZINC COATED, NO 10 BY 1/2IN	K7766	3155	2)	X			FB
005072	000		WASHER, LOCK STEEL, SHAKEPROOF, CAD PLATED, INTERNAL TYPE 12, 3/16IN, NO2BA OR NO10UN SCREW SIZE	Z0088	1210	2)	X			FB
005073	000		WASHER, FLAT, RD, STEEL, ZINC COATED, SMALL, 1/4 IN., 9/16 IN. OD BY 0.056 IN. THK	Z0544	B117	2)	X			FB
005074	000		WASHER, LOCK, SPRING STEEL, SINGLE TURN, RECTANGULAR SECTION, CAD PLATED, 1/4IN BOLT SIZE	K7766	1802	4	X			FB
005075	000		NUT, PLAIN, HEXAGON, UNF, 2B, STEEL, FORMED, ZINC COATED, 1/4 IN.	8Q204	B18-2	4	X			FB
005076	003		RUBBER SPECIAL SHAPED SECTION, SPONGE, 0.520 IN W, 0.580 IN H, 105.300 IN LG, WEATHER RES, WINDSHIELD	Z0020	ADEV94-462	2	X			UPB
005077	004		SCREW, SHOULDER, UNF, 2A, STEEL, FILLISTERED, 0.250 IN. DIA BY 0.370 IN. LG	Z0020	ADEV94-426	12	X			UPB
005078	000		WASHER, LOCK, 3/8IN BY 3/4IN	31007	83723R1	12	X			UPB
005079	005		ARM, WINDSHIELD SUPPORT (FRAME HALF)	Z2813	ADE(V)94-465	4	X			UPB
005080	006		ARM, WINDSHIELD SUPPORT (BODY HALF)	Z2813	ADE(V)94-464	4	X			UPB
005081	007		CATCH, WINDSHIELD FRAME	Z2813	ADE(V)94-425	4	X			UPB
005082	008		SPACE SLEEVE, 0.344IN.ID BY 0.875IN OD, BY 0.25IN THK	Z2813	ADEV94-163ITEM10	4	X			UPB
005083	009		WASHER, SPRING TENSION, SPRING STEEL, 0.343IN ID BY 2.380IN OD BY 0.028IN THK	Z0020	ADEV94-463	4	X			UPB
005084	010		KNOB, WINDSCREEN ADJUSTING LOCK, RH THD	Z0020	TSEV93-681	4	X			UPB
005085	000		PIN, COTTER SPLIT, MILD STEEL, 3/32IN BY 1/2IN LG	K7766	1574	4	X			UPB

SERIAL NUMBER	GROUP & ITEM No.	DESIGNATION	MANUFACTURERS		NO OFF	EXP CLASS	LEVEL	REPAIR
			CODE	PART No.				
1	2	3	4	5	6	7	8	
C05086	011	RUBBER SPECIAL SHAPED SECTION	Z0020	ADEV94-161	2	X	FB	
005067	000	RUBBER STRIP, SOLID, 1.500 IN W BY 0.030 IN THK	Z1138	HYG0274	10	X	UPB	
005088	012	GLASS, LAMINATED, FLAT 36.030IN LG BY 18.050IN W BY 0.270IN THK	Z0020	ADEV94-160	2	X	FB	
C05089	000	RIVET, SOLID, CSK HD, 1/8 IN. DIA, 3/8 IN.LG	31007	104136	2)	X	FB	

GROUP JE

RPS02031

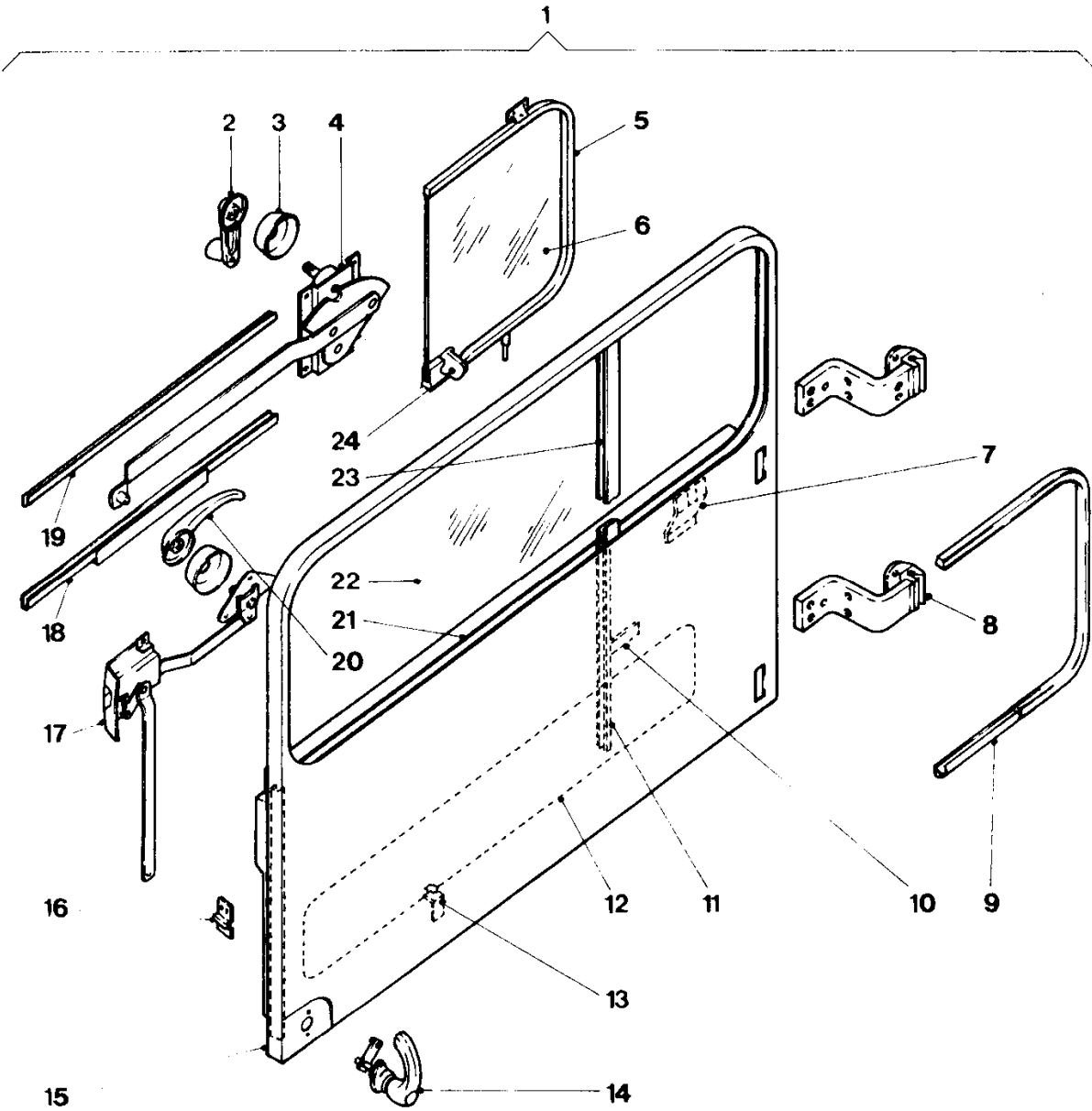


REAR WINDOW

S E R I A L	N U M B E R	G R O U P & I T E M N o.	D E S I G N A T I O N	M A N U F A C T U R E R S		N O O F F	E X P L O S I V E	L E V E L	O F	R E P A I R
				C O D E	P A R T N o.					
1	2	3	4	5	6	7	8			
005136	JE	REAR WINDOW								
005137	001	GLASS, REAR WINDOW	Z0009	856880R1	2	X				FB
005138	002	RUBBER SPECIAL SHAPED SECTION, REAR WINDOW	Z0009	856879R1	2	X				FB
005139	003	CLIP, REAR WINDOW GRILLE	Z0020	TSEV93-877	3	X				UPB
005140	000	SCREW, MACHINE, UNF, 2A, SAE GRADE 5 STEEL, HEX HD ZINC COATED, 1/4 IN. BY 3/4 IN. LG	8Q204	B18-2	6	X				UPB
005141	000	WASHER, LOCK, SPRING STEEL, SINGLE TURN, RECTANGULAR SECTION, CAD PLATED, 1/4IN BOLT SIZE	K7766	1802	5	X				UPB
005142	000	NUT, PLAIN, HEXAGON, UNF, 2B, STEEL, FORMED, ZINC COATED, 1/4 IN.	8Q204	B18-2	5	X				UPB
005143	004	GRILLE, REAR WINDOW CAB	Z2813	ADE (V) 225-186	1	X				B

GROUP JF

RPS02031



DOOR ASSEMBLY LEFT AND RIGHT HAND

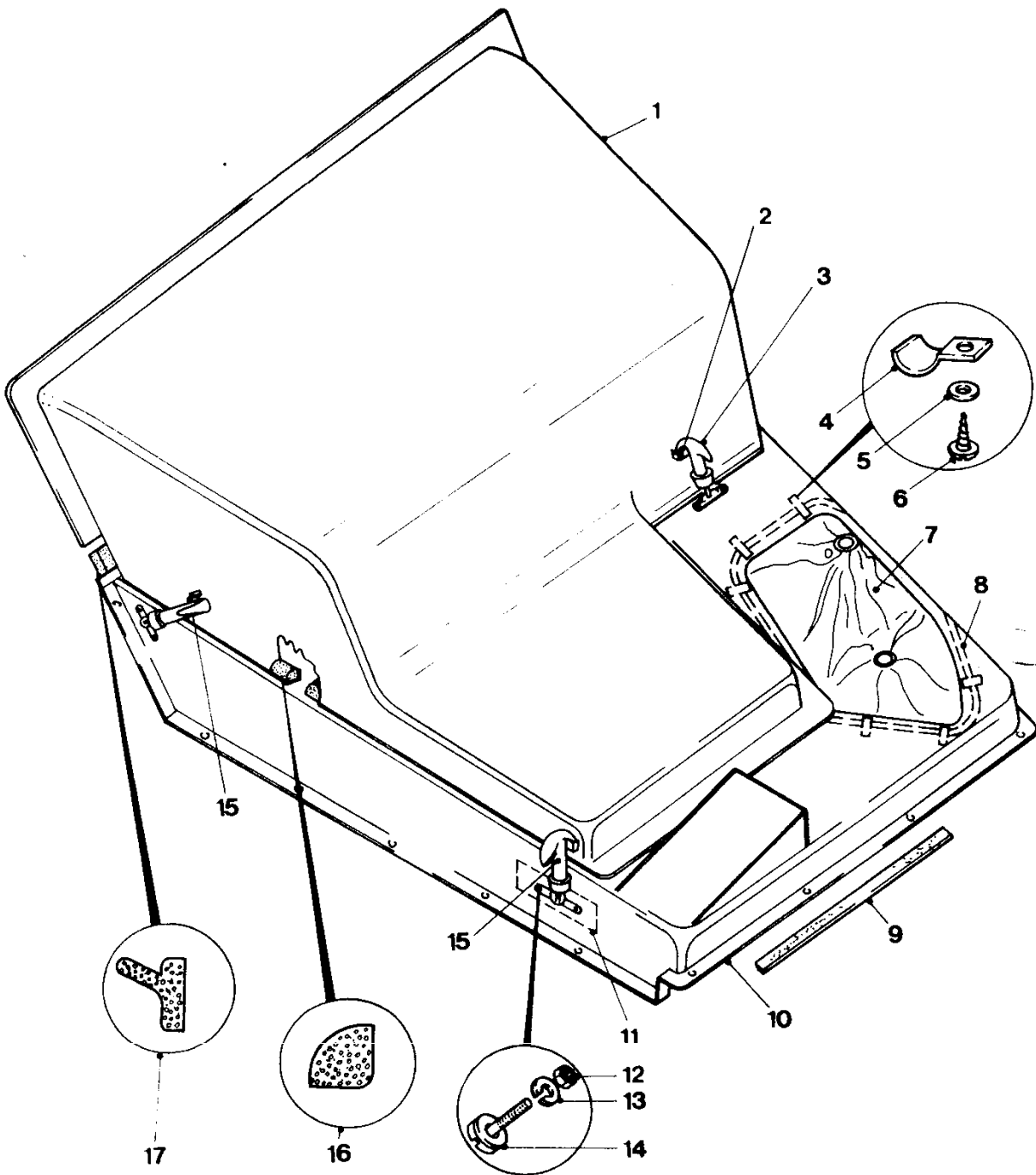
SERIAL	NUMBER	GROUP & ITEM No.	DESIGNATION	MANUFACTURERS		NO OFF	EXP. CLASS	LEVEL	REPAIR
				CODE	PART No.				
1	2	3	4	5	6	7	8		
005167	JF		DOOR ASSEMBLY LEFT AND RIGHT HAND						
005168	001		DOOR ASSEMBLY LH	ZC020	ADE(V) 225-300-1	1	N	B	
005169	000		DOOR ASSEMBLY RH	Z2813	ADE(V) 225-300-2	1	N	B	
005170	002		HANDLE ASSEMBLY, WINDOW REGULATOR	31007	162295R91	2	X	UFB	
005171	003		ESCUTCHEON PLATE, DOOR HANDLE	Z0009	3208735R2	4	X	UFB	
005172	004		REGULATOR, VEHICLE WINDOW, HAND OPERATED, LH	Z0009	884262R91	1	X	PB	
005173	000		REGULATOR, VEHICLE WINDOW, HAND OPERATED, RH	Z0009	884263-R91	1	X	PB	
005174	000		SCREW, ASSEMBLED WASHER, UNC, 2A, STEEL, AN HD, CROSS RECESS, CAD PLATED, NQ.12 BY 10IN. LG	24617	453046	8	X	UFB	
005175	005		VENTILATOR WINDOW ASSEMBLY LEFT, WITH GLASS	31007	856958R92	1	X	PB	
005176	000		VENTILATOR WINDOW ASSEMBLY RIGHT, WITH GLASS	31007	856959R92	1	X	PB	
005177	006		GLASS, VENT WINDOW	Z2813	TSE(V) 93-141	2	X	UFB	
005178	007		BRACKET, VENT WINDOW	Z0009	858536R1	2	X	B	
005179	000		SCREW, TAPPING, THREAD FORMING, STEEL, PAN HD, SLOTTED, GIMLET POINT, NO 10 BY 5/8 IN	80204	B18-6-4	4	X	UFB	
005180	000		NUT, SHEET SPRING, STEEL, FOR NO 10 SHEET METAL SCREW	Z0009	851483R1	4	X	UFB	
005181	008		HINGE, ACCESS DOOR, LH	Z0009	856812R92	2	X	PB	
005182	000		HINGE, ACCESS DOOR, RH	Z0009	856813R93	2	X	PB	
005183	000		SCREW, MACHINE, UNC, TRUSS HD, 5/16IN BY 3/4IN LG, 0.072IN W SLOT BY 0.058IN DEPTH OF SLOT	31007	125655	20	X	UFB	
005184	000		WASHER, LOCK STEEL, SHAKEPROOF, CAD PLATED, EXTERNAL TYPE 11, 5/16IN BOLT SIZE	Z0068	1118	23	X	UFB	
005185	009		RUBBER, SPECIAL SHAPED SECTION, VENT WINDOW, L/H	Z0009	857132-3R1	1	X	PB	
005186	000		RUBBER, SPECIAL SHAPED SECTION, VENT WINDOW, R/H	Z0009	IHC857133R1	1	X	PB	
005187	010		SUPPORT, GLASS RUN FRONT			2			
005188	000		SCREW, MACHINE, UNC, 2A, STEEL, TRUSS HD, 1/4IN BY 1IN LG	31007	272519	4	X	UFB	

S E R I A L	N U M B E R	G R O U P & I T E M N o.	D E S I G N A T I O N	M A N U F A C T U R E R S		N (O F F	E X P L O S I O N L E V E L	R E P A I R
				C O D E	P A R T N o.			
1	2	3	4	5		6	7	8
005189	000	WASHER, FLAT, RD, STEEL, ZINC COATED, SMALL, 1/4 IN., 9/16 IN. OD BY 0.056 IN. THK	Z0544	B117		3	X	UPB
005190	000	NUT, SELF-LOCKING, HEXAGON, UNC 3B, STEEL, ZINC COATED, 1/4IN W/NYLON INSERT	Z0635	NPN086-11-6		4	X	UPB
005191	011	CHANNEL, GLASS RUN FRONT	Z0020	TSEV93-901		2	X	FB
005192	000	SCREW, MACHINE, UNC, 2A, MILD STEEL, FLAT CSK HD, SLOTTED, ZINC COATED, NO.8 BY 7/8 IN.	Z0544	B147		2	X	UPB
005193	000	SCREW, MACHINE, UNC, 2A, MILD STEEL, FLAT CSK HD, SLOTTED, ZINC COATED, NO.8 BY 1/2 IN.	Z0544	B147		2	X	UPB
005194	000	WASHER, LOCK STEEL, SHAKEPROOF, CAD PLATED, EXTERNAL TYPE 11, 5/32IN BOLT SIZE (3BA OR NO8 SIZE)	Z0088	1108		4	X	UPB
005195	000	NUT, PLAIN, HEXAGON, UNC 2B, A STEEL, ZINC COATED, NO8	K7766	3155		4	X	UPB
005196	000	SCREW, MACHINE, UNC, 2A, STEEL, PAN HD, SLCT DRIVE, CAD PLATED, 1/4 IN. BY 5/8 IN. LG	96906	MS35206-280		2	X	UPB
005197	000	WASHER, LOCK, STEEL, SHAKE PROOF, CAD PLATED, EXTERNAL TYPE 11, 1/4IN. (NO. 0 BA OR 14UN) BOLT SIZE	Z0327	GES124-6		2	X	UPB
005198	012	PLATE DOOR ACCESS				2		
005199	000	SCREW, TAPPING, THREAD FORMING, STEEL, PANED, SLOTTED, GIMLET POINT, NO. 8 BY 1/2 IN.	88273	250-376		2	X	UPB
005200	013	BUMPER, DOOR STOP				2		
005201	014	HANDLE, DOOR, OUTSIDE, LH	Z2813	ADE (V) 225-266-1		1	X	UPB
005202	000	HANDLE ASSEMBLY, DOOR, OUTSIDE, RH	Z2813	ADE (V) 225-266-2		1	X	UPB
005203	000	SCREW, MACHINE, UNF, 2A, OVAL HD, CROSS RECESS DRIVE, NO 10 BY 1/2IN	31007	455678		1	X	JPB
005204	000	RING, RETAINING, STEEL, EXTERNAL APPLICATION, 0.210 IN. ID, 0.025 IN. THK	Z0009	856898R1		2	X	UPB
005205	015	CHANNEL, GLASS RUN, REAR, 6 FT LG	Z0132	A1463287		2	X	FB
005206	016	WEDGE, DOOR DOVETAIL	Z0009	856857R1		2	X	UPB

S E R I A L	N U M B E R	G R O U P & I T E M N o.	D E S I G N A T I O N	M A N U F A C T U R E R S		N O O F F	I N P L A S S	L E V E L	O F	P A R T
				C O D E	P A R T N o.					
1	2	3	4	5		6	7	8		
005207	000	SCREW, MACHINE, UNF, 2A, STEEL, FLAT CSK HD, SLOTTED, CAD PLATED, NO. 10 BY 5/8 IN. LG	96906	MS35242-73		3	X			UPB
005208	017	LOCK ASSEMBLY, DOOR, LH	Z0009	856960R92		1	X			UPB
005209	000	LOCK ASSEMBLY, DOOR, RH	Z0009	856961R92		1	X			UPB
005210	000	WASHER, LOCK STEEL, SHAKEPROOF, CAD PLATED, INTERNAL TYPE 12, 5/16 IN BOLT SIZE				5	X			UPB
005211	000	SCREW, MACHINE, UNF, PAN HD, SLOTTED, 5/16 IN BY 5/8 IN	31007	18418R1		65	X			UPB
005212	018	CHANNEL ASSEMBLY, DOOR GLASS RETAINING	Z0009	853707-R91		2	X			B
005213	019	WEATHER STRIP, 18 IN. LG	Z0009	858576R1		2	X			FB
005214	020	HANDLE, DOOR, REMOTE CONTRGL	Z0009	162294R1		2	X			UPB
005215	021	SEALING STRIP WINDOW OPENING	Z0020	TSEV93-744		2	X			FB
005216	022	GLASS, DOOR WINDOW	Z0009	859063R1		2	X			FB
005217	023	DIVISION BAR ASSEMBLY LH	Z0009	856796R9		1	X			B
005218	000	DIVISION BAR ASSEMBLY RH	Z0009	856797R9		1	X			B
005219	024	HANDLE, VENTILATOR WINDOW	31007	162300R1		2	X			UPB
005220	000	WASHER, FLAT VENTILATOR WINDOW HANDLE	31007	176849R1		2	X			UPB
005221	000	PIN, GROOVED, HEADLESS STEEL, CAD PLATED, TAPERED 3/32 IN MAX DIA SMALL END, 0.102 IN MAX DIA LARGE END BY 7/16 IN O/D LG, W/LONGITUDINAL GROOVE/S	31007	176838R1		2	X			UPB

GROUP JG

RPS02031



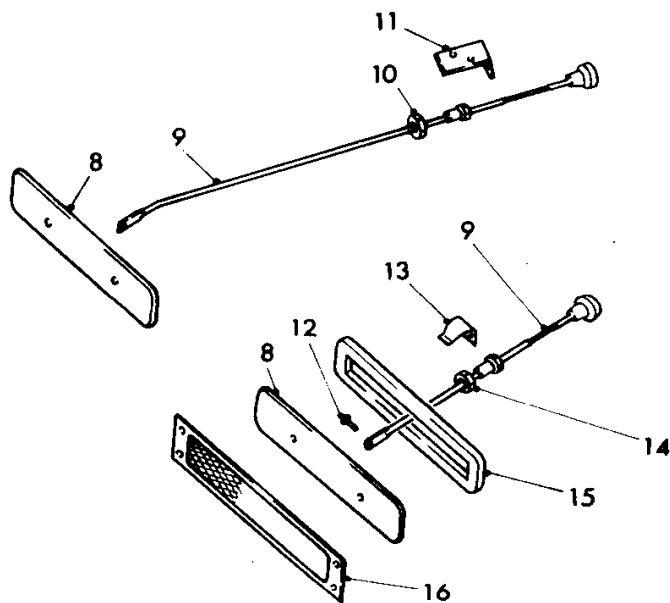
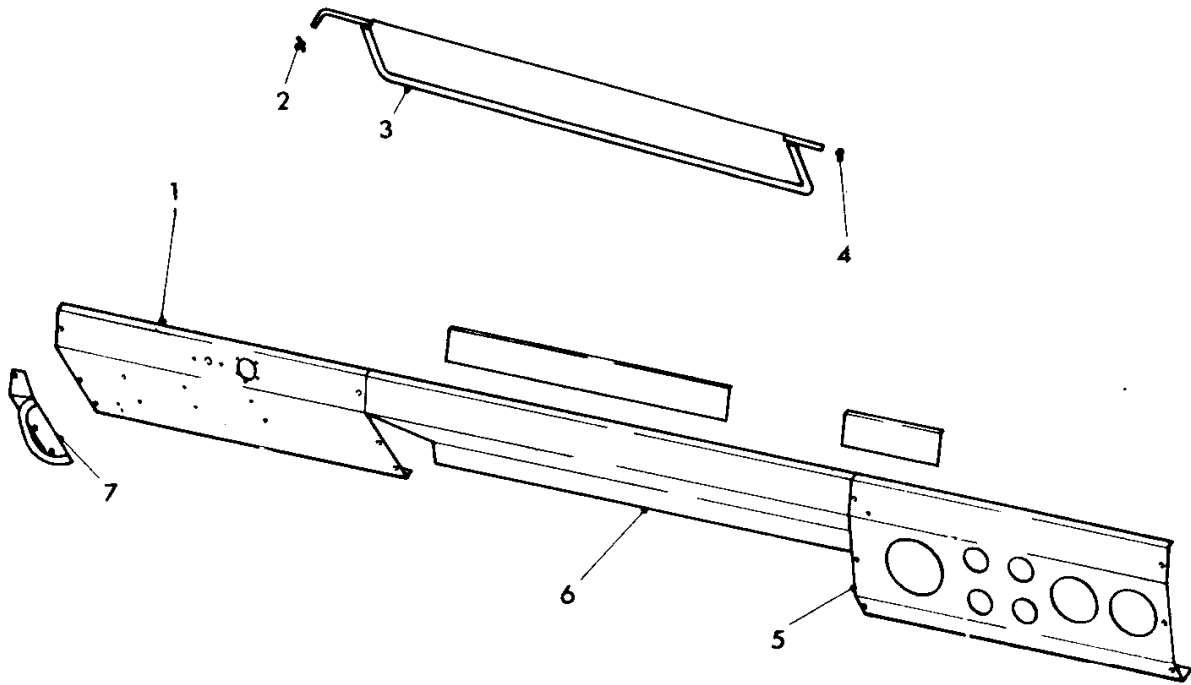
ENGINE COVER

S E R I A L	N U M B E R	G R O U P & I T E M N o.	D E S I G N A T I O N	M A N U F A C T U R E R S		N O O F F	E X P L O S I O N L E V E L	R E P A I R
				C O D E	P A R T N o.			
1	2	3	4	5		6	7	8
005241	JG	ENGINE COVER						
005242	001	COVER, ENGINE, ASSEMBLY, UPPER	Z0020	ADEV225-235		1	N	PB
005243	002	STRIKE, CATCH, HEAD, ENGINE	Z0009	857117R1		4	X	UPB
005244	000	NUT, PLAIN, HEXAGON, UNF, 2B, "A" STEEL, ZINC COATED, NO 10	K7766	3155		3	X	UPB
005245	000	WASHER, LOCK, SPRING, STEEL, SINGLE TURN, CAD OR ZINC PLATED, 3/16 IN., 2 BA OR 10 UN SCREW SIZE	K7766	1802		3	X	UPB
005246	000	WASHER, FLAT, RD, STEEL, CAD PLATED, LARGE, 1 BA, 12 UN OR 7/32 IN. SCREW SIZE	Z0544	B85		8	X	UPB
005247	003	CATCH ASSEMBLY, ENGINE COVER, LOWER	Z0009	881159R91		1	X	UPB
005248	004	CLIP, SPRING TENSION, STEEL, 51/64 IN. LG BY 11/32 IN. W, 1/4 IN. DIA LOOP, DRILLED FOR NO. 4 BA SCREW	Z0635	SNB1167-17-0		13	X	UPB
005249	005	WASHER, FLAT, RD, STEEL, CAD PLATED, LARGE, 1 BA, 12 UN OR 7/32 IN. SCREW SIZE	Z0544	B85		13	X	UPB
005250	006	SCREW, TAPPING, THREAD FORMING, STEEL, PANHD, SLOTTED, GIMLET POINT, NO. 8 BY 1/2 IN.	88273	250-376		13	X	UPB
005251	007	BOOT ASSEMBLY, GEAR LEVER	Z0020	ADE(V) 225-227-1		1	X	UPB
005252	008	RETAINER, GEAR LEVER BOOT				1		
005253	009	SEAL, ENGINE COVER LOWER (LOWER TO FLOOR)	Z0020	TSEV93-733		1	X	UPB
005254	010	COVER, ENGINE, LOWER	Z0020	ADEV225-236		1	X	PB
005255	000	SCREW, TAPPING, THREAD FORMING, STEEL, PAN HD, SLOTTED, GIMLET POINT, NO 10 BY 5/8 IN	80204	B18-6-4		15	X	UPB
005256	000	WASHER, FLAT, RD, STEEL, CAD PLATED, LARGE, 1 BA, 12 UN OR 7/32 IN. SCREW SIZE	Z0544	B85		15	X	UPB
005257	011	DOUBLER, ENGINE COVER CATCH				4		
005258	012	NUT, PLAIN, HEXAGON, UNF, 2B, "A" STEEL, ZINC COATED, NO 10	K7766	3155		3	X	UPB
005259	013	WASHER, LOCK, SPRING, STEEL, SINGLE TURN, CAD OR ZINC PLATED, 3/16 IN., 2 BA OR 10 UN SCREW SIZE	K7766	1802		3	X	UPB

SERIAL	NUMBER	GROUP & ITEM No.	DESIGNATION	MANUFACTURERS		NO OF	EXPLAS	LEVEL	OF	REPAIR
				CODE	PART No.					
1	2	3	4	5	6	7	8			
005260	014		SCREW, MACHINE, UNF, 2A, MILD STEEL, PAN HD, SLOTTED, ZINC COATED, NO 10 BY 1/2IN	K7766	3155	3	X			UPB
005261	015		CATCH ASSEMBLY ENGINE COVER LOWER	Z0009	857118R91	3	X			UPB
005262	016		RUBBER SPECIAL SHAPED SECTION	Z0009	857107R1	1	X			UPB
005263	017		RUBBER SPECIAL SHAPED SECTION, ENGINE COVER UPPER	ZQ009	857108R1	1	X			UPB

GROUP JH

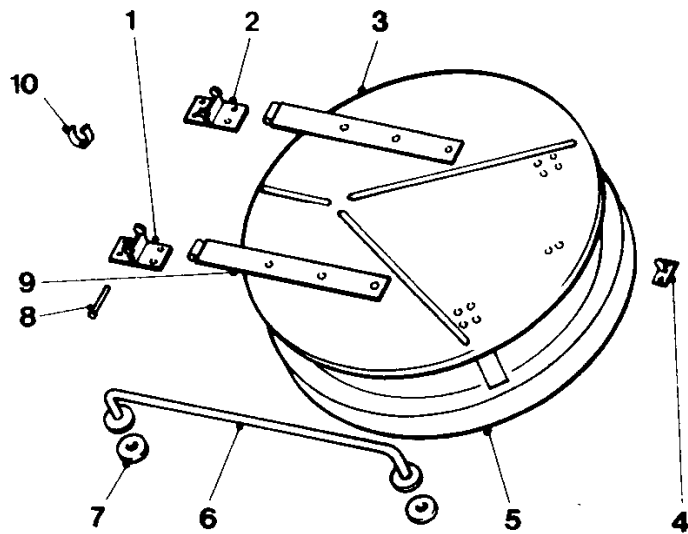
RPS02031



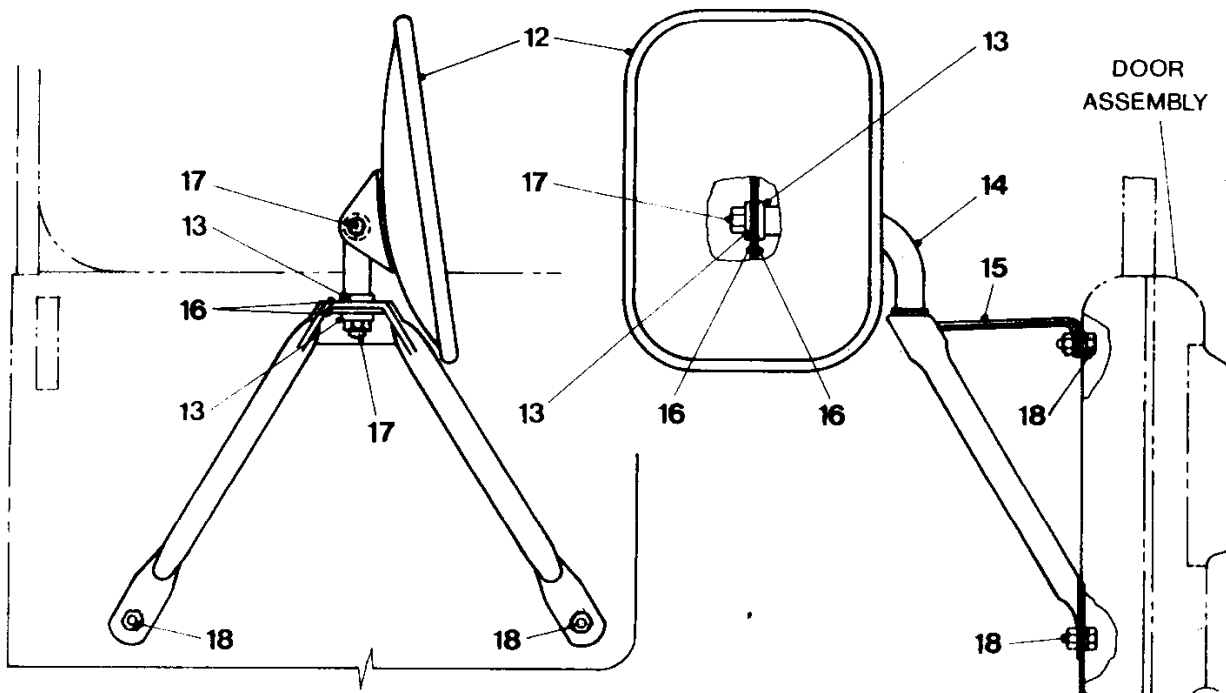
SUN VISOR INSTRUMENT PANEL AND AIR VENTILATOR

SERIAL	NUMBER	GROUP & ITEM No.	DESIGNATION	MANUFACTURERS		NO OFF	EXPL CLASS	LEVEL	REPAIR
				CODE	PART No.				
1	2		3	4	5	6	7	8	
005286	JH		SUNVISOR, INSTRUMENT PANEL AND AIR VENTILATOR						
005267	001		PANEL ASSEMBLY, FACIA OUTER						
005288	000		SCREW, MACHINE, UNF, 2A, MILD STEEL, FIL HD, SLOT DRIVE, AINCE CAOTED, D 1/4 IN. BY 1/2 IN.	Z0544	B149	7	X	UPB	
005289	000		WASHER, LOCK STEEL, SHAKEPROOF, CAD PLATED, INTERNAL TYPE 12, 1/4IN (OBA) BOLT SIZE	Z0088	1214	7	X	UPB	
005290	002		STRAP, RETAINING, SUN VISOR	Z0009	857927R1	2	X	UPB	
005291	003		VISOR, SUN, VEHICLE	Z2813	ADE(V) 225-255-1	2	X	UPB	
005292	004		GROMMET, NONMETALLIC, RUBBER, 21/32 IN. OD BY 11/32 IN. DIA HOLE BY 29/64 IN. OD GROOVE BY 3/32 IN. W GROOVE	Z0009	857681R1	2	X	UPB	
005293	000		SCREW						
005294	005		INSTRUMENT PANEL, CARGO BODY	Z0020	ADEV94-218-1	1	X	P	
005295	000		SCREW, MACHINE, UNF, 2A, MILD STEEL, FIL HD, SLOT DRIVE, AINCE CAOTED, D 1/4 IN. BY 1/2 IN.	Z0544	B149	6	X	UPB	
005296	000		WASHER, LOCK STEEL, SHAKEPROOF, CAD PLATED, INTERNAL TYPE 12, 1/4IN (OBA) BOLT SIZE	Z0088	1214	6	X	UPB	
005297	000		NUT, SHEET SPRING, FLAT, STEEL, PHOSPHATED, NO. 10 SHEET METAL SCREW SIZE	Z0635	SNP0177-17-7	1	X	UPB	
005298	000		SCREW, MACHINE, UNF, 2A, MILD STEEL, FIL HD, SLOT DRIVE, AINCE CAOTED, D 1/4 IN. BY 1/2 IN.	Z0544	B149	10	X	UPB	
005299	000		WASHER, LOCK STEEL, SHAKEPROOF, CAD PLATED, INTERNAL TYPE 12, 1/4IN (OBA) BOLT SIZE	Z0088	1214	10	X	UPB	
005300	006		PANEL FACIA CENTRE			1			
005301	007		HANDLE ASSEMBLY, PASSENGER GRAB	Z0020	ADEV225-734	1	X	B	
005302	000		SCREW, MACHINE, UNF, 2A, SAE GRADE 5 STEEL, HEX HD ZINC COATED, 1/4 IN. BY 3/4 IN. LG	80204	B18-2	3	X	UPB	
005303	000		WASHER, LOCK STEEL, SHAKEPROOF, CAD PLATED, INTERNAL TYPE 12, 1/4IN (OBA) BOLT SIZE	Z0088	1214	3	X	UPB	

S E R I A L	N U M B E R	G R O U P & I T E M N o.	D E S I G N A T I O N	M A N U F A C T U R E R S		N O O F	E X P L O S I O N	P R E C E D E N T	R E V I S I O N
				C O D E	P A R T N o.				
1	2	3	4	5		6	7	8	
005304	000	COVER, VENTILATORY	Z0009	886013R11		2	X	B	
005305	000	WASHER, LOCK STEEL, SHAKEPROOF, CAD PLATED, INTERNAL TYPE 12, 3/16IN, NO2BA OR NO10UN SCREW SIZE	ZC088	1210		4	X	UPB	
005306	000	NUT, PLAIN, HEXAGON, UNC, 2B, MILD STEEL, ZINC COATED, NO 10	K7766	3155		4	X	UPB	
005307	009	CONTROL ROD, AIR VENT, RIGHT	Z0009	885925R91		1	X	UPB	
005308	010	NUT, PLAIN, HEXAGON, UNF 2B, P STEEL, LOCK, ZINC COATED, 1/2IN BOLT SIZE	Z0544	B147		2	X	UPB	
005309	011	BRACKET, VENT CONTROL							
005310	000	SCREW, MACHINE, UNF, 2A, SAE GRADE 5 STEEL, HEX HD, ZINC COATED, 1/4 IN. BY 5/8IN. LG	8Q204	B18-2		2	X	UPB	
005311	000	WASHER, LOCK STEEL, SHAKEPROOF, CAD PLATED, INTERNAL TYPE 12, 1/4IN (OBA) BOLT SIZE	Z0088	1214		2	X	UPB	
005312	000	NUT, PLAIN, HEXAGON, UNF 2B, STEEL, FORMED, ZINC COATED, 7/16IN	8Q204	B18-2		2	X	UPB	
005313	012	PIN, STRAIGHT, HEADED, STEEL, CAD PLATED, FLAT HD, 3/16 IN. DIA SHANK BY 16/32 IN. LG, DRILLED FOR COTTER PIN	31007	138082		2	X	UPB	
005314	000	PIN, COTTER, SPLIT, MILD STEEL, 1/16 IN. BY 3/4 IN. LG	24617	103361		2	X	UPB	
005315	013	CLIP, SPRING TENSION	ZQ009	886644R1		2	X	UPB	
005316	014	CONTROL ROD, AIR VENT, LEFT	Z0009	885924R91		1	X	UPB	
005317	015	GASKET, SYNTHETIC RUBBER, 9.200 IN. O/A LG, 2.500 IN. O/A W, 0.180 IN. THK	Z0009	857170R1		2	X	UPB	
005318	016	VENTILATOR ASSEMBLY	Z0020	ADEV94-487		2	X	UPB	
005319	000	SCREW, MACHINE, UNC, 2A, OVAL CSK HD, CROSS RECESS DRIVE, NO 8 BY 1/2IN LG	31007	176 676		3	X	UPB	
005320	000	NUT, SHEET SPRING, U-TYPE, NO 8	31007	445473		3	X	UPB	



11



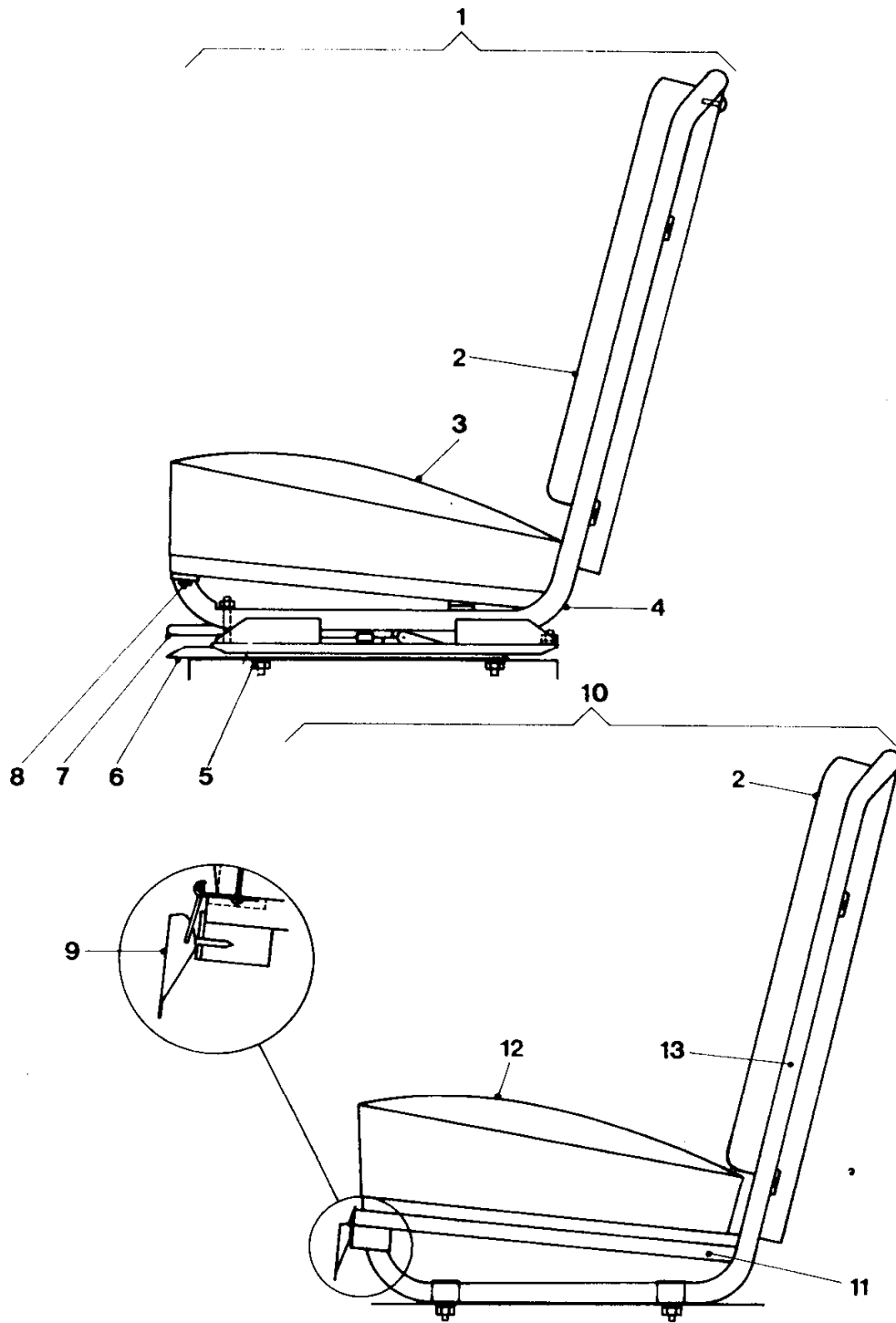
HATCH COVER AND REAR VISION MIRRORS

S E R I A L	N U M B E R	G R O U P & I T E M N o.	D E S I G N A T I O N	M A N U F A C T U R E R S		N O O F F	E X P C L A S S	L E V E L	R E P A I R
				C O D E	P A R T N o.				
1	2	3	4	5		6	7	8	
005341	JI		HATCH COVER AND REAR VISION MIRRORS						
005342	001		BRACKET ASSEMBLY, FRONT	Z2813	ADE(V) 225-535-1	1	X	FB	
005343	000		SCREW, MACHINE, UNF, 2A, SAE GRADE 5 STEEL, HEX HD, ZINC COATED, 1/4 IN. BY 5/8IN. LG	80204	B18-2	3	X	UPB	
005344	000		WASHER, FLAT, RD, STEEL, ZINC COATED, SMALL, 1/4 IN., 9/16 IN. OD BY 0.056 IN. THK	Z0544	B117	3	X	UPB	
005345	000		WASHER, FLAT, RD, STEEL, ZINC COATED, 1/4 IN. ID BY 3-4 IN. OD BY 12 SWG THK	Z0020	ADEV225-239-17	3	X	UPB	
005346	000		WASHER, LOCK, SPRING STEEL, SINGLE TURN, RECTANGULAR SECTION, CAD PLATED, 1/4IN BOLT SIZE	K7766	1802	3	X	UPB	
005347	000		NUT, PLAIN, HEXAGON, UNF, 2B, STEEL, FORNED, ZINC COATED, 1/4 IN.	80204	B18-2	3	X	UPB	
005348	002		BRACKET ASSEMBLY REAR	Z2813	ADE(V) 225-535-2	1	X	UPB	
005349	003		COVER ASSEMBLY, HATCH	Z0020	ADEV225-245/1	1	X	FB	
005350	000		STRAP, WEBBING 1IN. W BY 13IN. LG	Z0020	ADEV225-703	1	X	FB	
005351	000		PLATE, RETAINING HAND STRAP			1			
005352	000		CLIP, LOCKING, HATCH COVER	Z0020	ADEV225-348	2	X	UPB	
005353	000		RUBBER STRIP, 1IN.W BY 1/4IN.THK BY 78IN.LG	Z0020	ADEV225-245-1-10	1	X	FB	
005354	004		PLATE, CATCH	Z0020	ADEV225-559	1	X	UPB	
005355	005		PAD, RUBBER, HIP RING	Z0020	TSEV93-906	1	X	UPB	
005356	006		HAND RAIL, HATCH COVER REARVIEW	Z2813	ADE(V) 225-560	2	X	B	
005357	007		WASHER, FLAT, STEEL, FOUND, 0.391IN ID, 2.000IN OD BY 0.125IN THK	Z0020	ADEV225-619	4	X	B	
005358	000		NUT, SELF-LOCKING, HEXAGON, UNF, 2B P STEEL, TYPE P, ZINC COATED, 3/8IN W/BYLON INSERT	Z0635	NPD126/11/6	2	X	UPB	
005359	008		PIN, GROOVED, HEADED HATCH COVER HINGE	Z0020	ADEV225-536	2	X	UPB	
005360	000		RING, RETAINING, 0.238 IN. BY 0.028 IN. THK	Z0020	ADEV225-239-15	2	X	UPB	
005361	009		HINGE, HATCH COVER	Z2813	ADE(V) 225-491	2	X	FB	
005362	010		CLIP, SPRING TENSION, STEELMIN DIA LOOP BU 0.880IN W BY 1-39/64IN LG W/2INTG HOLES 9/64IN IIA	Z0020	TSEV93-883	1	X	UPB	

S E R I A L	N U M B E R	G R O U P & I T E M N O	D E S I G N A T I O N	M A N U F A C T U R E R S		N O O F	E X P L A S S	L E V E L	R E P A I R
				C O D E	P A R T N O.				
1	2	3	4	5	6	7	8		
005363	011	MIRROR ASSEMBLY, REARVIEW, EXTERNAL, C/W ARM, SUPPORT BRACE AND MOUNTINGS	Z0009	3016094R9 1	2	X	UPB		
005364	012	MIRROR ASSEMBLY, REARVIEW, W/O BRACKETS	Z0009	3016095R91	2	X	UPB		
005365	013	WASHER FLAT ALUMINIUM	Z0009	3016102R	3	X	UPB		
005366	014	ARM.PIVOT MIRROR			2				
005367	015	BRACKET MIRROR HEAD TO DOOR			2				
005368	016	WASHER NONMETALLIC NYICN	Z0009	3016103R	3	X	UPB		
005369	017	SCREW, MACHINE, UNC, 2A, R STEEL, HEX HD, ZINC COATED, 3/8IN BY 1-1/4IN	Z0544	B147	4	X	UPB		
005370	018	SCREW, MACHINE, UNC, 2A, SAE GRADE 5 STEEL, HEX HD, ZINC COATED, 5/16 IN. BY 5/8 IN. LG	80204	B18-2-1	5	X	UPB		
005371	000	WASHER, FLAT, RD, STEEL, ZINC COATED, 5/16IN. 5/8 IN. OD BY 0.072 IN. THK	Z1272	038-060	6	X	UPB		
005372	000	NUT, PLAIN, HEXAGON, UNC, 2B A STEEL, ZINC COATED, 5/16 IN.	Z0544	B147	5	X	UPB		

GROUP JJ

RPS02031



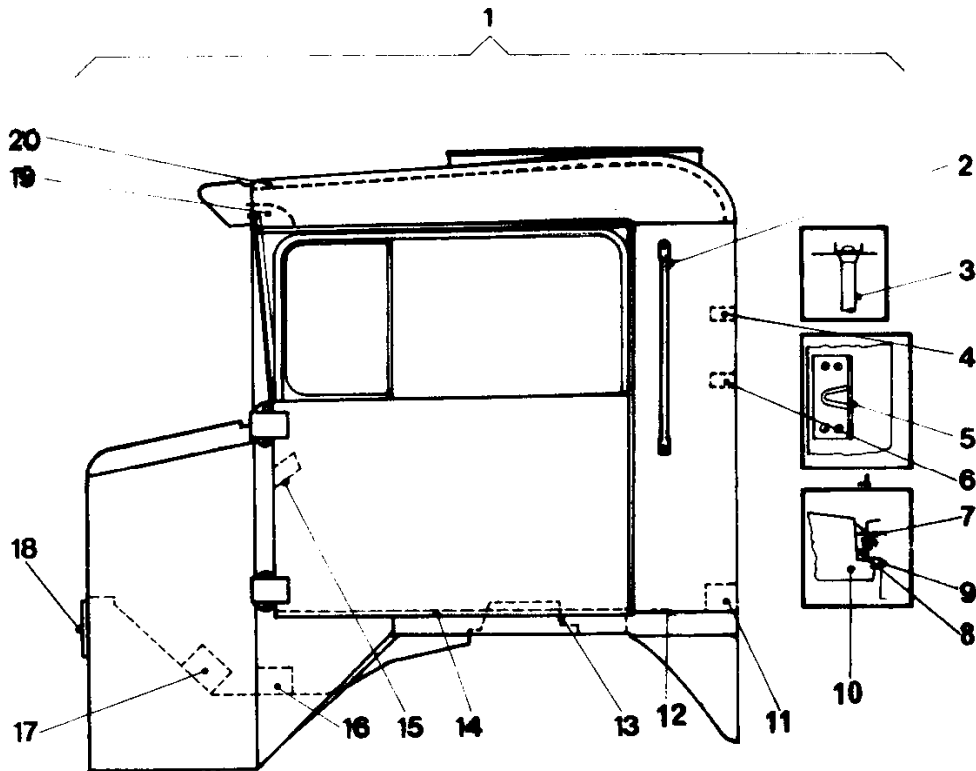
PASSENGER AND DRIVERS SEATS

S U B S E R I A L	N U M B E R	G R O U P & I T E M N o.	D E S I G N A T I O N	M A N U F A C T U R E R S		N O O F F	E X P L O S I V E	L E V E L	R E P A I R
				C O D E	P A R T N o.				
1	2	3	4	5	6	7	8		
005393	JJ	PASSENGER AND DRIVERS SEATS							
005394	001	SEAT, VEHICULAR, DRIVERS	Z2813	ADEV225-481	1	N		B	
005395	002	SQUAB, VEHICULAR SEAT, DRIVERS SEAT	Z0020	ADEV225-479	2	N		UFB	
005396	000	SCREW, MACHINE, UNF, 2A, STEEL, RD HD, SLO6TED, CAD PLATED, 1/4 IN. DIA BY 1/2 IN. LG	92392	0909297	3	X		UFB	
005397	000	WASHER, FLAT, RD, STEEL, ZINC COATED, SHALL, 1/4 IN., 9/16 IN. OD BY 0.056 IN. THK	Z0544	B117	3	X		UFB	
005398	000	WASHER, LOCK STEEL, SHAKEPROOF, CAD PLATED, INTERNAL TYPE 12, 1/4IN (OBA) BOLT SIZE	ZC088	1214	3	X		UFB	
005399	003	CUSHION, SEAT, VEHICULAR, DRIVERS	Z0020	ADE(V) 225-480-2	1	N		UFB	
005400	004	FRAME, DRIVER SEAT	Z0009	857689R11	1	X		B	
005401	005	NUT, PLAIN, HEXAGON, UNF, 2B, STEEL, FORMED, ZINC COATED, 5/16 IN.	Z1272	034-079	4	X		UFB	
005402	000	WASHER, LOCK, SPRING, STEEL, SINGLE TURN, RECTANGULAR SECTION, CAD PLATED, 5/16 IN. BOLT SIZE	17600	DX252	4	X		UFB	
005403	006	SLIDE ASSEMBLY SEAT PLAIN	Z0009	858108R91	1	X		FB	
005404	000	WASHER, LOCK, SPRING, STEEL, SINGLE TURN, RECTANGULAR SECTION, CAD PLATED, 5/16 IN. BOLT SIZE	17600	DX252	4	X		UFB	
005405	000	NUT, PLAIN, HEXAGON, UNF, 2B, STEEL, FORMED, ZINC COATED, 5/16 IN.	Z1272	034-079	4	X		UFB	
005406	007	SLIDE ASSEMBLY SEAT LOCKING	Z0009	858109R91	1	X		FB	
005407	008	SCREW, MACHINE, UNC, 2A, STEEL, TRUSS HD, 1/4IN BY 1IN LG	31007	272519	4	X		UFB	
005408	000	WASHER, LOCK, STEEL, SHAKE PROOF, CAD PLATED, EXTERNAL TYPE 11, 1/4IN. (NO. 0 BA OR 14UN) BOLT SIZE	Z0327	GES124-6	4	X		UFB	
005409	009	CATCH, LUGGAGE PASSENGER SEAT	Z0020	ADEV225-544	1	X		UFB	
005410	010	SEAT, VEHICULAR, PASSENGER	Z2813	ADEV225-547	1	N		FB	
005411	011	OBSERVATION PLATFORM			1				
005412	012	CUSHION ASSEMBLY, PASSENGER	Z0020	ADEV225-480-1	1	N		UFB	
005413	013	FRAME, PASSENGER SEAT	Z0009	858102R11	1	X		B	

SERIAL	NUMBER	GROUP & ITEM No.	DESIGNATION	MANUFACTURERS		NO. OFF	EXP. CLASS	LEVEL	REPAIR
				CODE	PART No.				
1	2		3	4	5	6	7	8	
005414	000		BELT, COMBINATION, AUTOMOBILE SAFETY	Z1133	PB333	2	X	B	
005415	000		PLATE						
005416	000		NUT, PLAIN, HEXAGON, UNF 2B, STEEL, FORMED, ZINC COATED, 7/16IN	80204	B18-2	5	X	PB	
005417	000		WASHER, LOCK, SPRING STEEL, SINGLE TURN, RECTANGULAR SECTION, CAD PLATED, 7/16 IN BOLT SIZE	K7766	1802	5	X	PB	
005418	000		BOLT SPECIAL			5			
005419	000		WASHER WAVE			5			
005420	000		SPACER			6			
005421	000		PLATE REINFORCING			2			

GROUP JK

RPS02031



CAB MISCELLANEOUS

SERIAL NUMBER	GROUP & ITEM No.	DESIGNATION	MANUFACTURERS		NO OF	EXP. CLASS	LEVEL OF	REPAIR
			CODE	PART No.				
1	2	3	4	5	6	7	8	
005441	JK	CAB MISCELLANEOUS						
005442	001	CAB ASSEMBLY, COMPLETE	Z 2813	ADE(V) 150-10-2	1	N	B	
005443	002	HANDLE, BOW	Z0009	857630R1	2	X	FB	
005444	003	REINFORCEMENT, HANDLE GRAB ASSEMBLY						
005445	000	SCREW, MACHINE, UNF, 2A, SAE GRADE 5 STEEL, HEX HD, ZINC COATED, 5/16IN BY 3/4IN LG	80204	B18-2	4	X	UPB	
005446	000	WASHER, LOCK, SPRING, STEEL, SINGLE TURN, RECTANGULAR SECTION, CAD PLATED, 5/16 IN. BOLT SIZE	17600	DX252	4	X	UPB	
005447	000	NUT, PLAIN, HEXAGON, UNF, 2B, STEEL, FORMED, ZINC COATED, 5/16 IN.	Z 1272	034-079	4	X	UPB	
005448	004	BRACKET, FIRE EXTINGUISHER			1			
005449	000	SCREW, MACHINE, UNF, 2A, MILD STEEL, PAN HD, SLOTTED, ZINC COATED, NO 10 BY 1/2IN	K7766	3155	5	X	UPB	
005450	000	WASHER, LOCK, SPRING, STEEL, SINGLE TURN, CAD OR ZINC PLATED, 3/16 IN., 2 EA OR 10 UNW SCREW SIZE	K7766	1802	5	X	UPB	
005451	000	NUT, PLAIN, HEXAGON, UNF, 2B, "A" STEEL, ZINC COATED, NO 10	K7766	3155	5	X	UPB	
005452	005	DOVE TAIL BODY SECTION			2			
005453	000	SCREW, MACHINE, UNF, 2A, STEEL, FLAT CSK HD, SLOTTED, CAD PLATED, NO. 10 BY 5/8 IN. LG	96906	MS35242-73	8	X	FB	
005454	006	CLIP ASSEMBLY MACHINE CARBINE	Z0020	ADEV225-646	2	X	UPB	
005455	000	SCREW, MACHINE, UNF, 2A, MILD STEEL, RAISED CHEESE HD, SLOTTED, ZINC COATED, NO. 10 BY 3/8 IN.	K7766	3155	4	X	UPB	
005456	000	WASHER, LOCK, SPRING, STEEL, SINGLE TURN, CAD OR ZINC PLATED, 3/16 IN., 2 EA OR 10 UNW SCREW SIZE	K7766	1802	4	X	UPB	
005457	000	NUT, PLAIN, HEXAGON, UNF, 2B, "A" STEEL, ZINC COATED, NO 10	K7766	3155	4	X	UPB	
005458	007	PLATE STRIKER TAPPING			2			
005459	008	STRIKE, CATCH BRASS, CAD PLATED, 1 1/8IN. LG, 1 3/8IN. W 17/32IN. H	Z0009	853283R1	2	X	UPB	

S E R I A L	N U M B E R	G R O U P & I T E M N O.	D E S I G N A T I O N	M A N U F A C T U R E R S		N G C O D E	E X P L O S I V E	I T E M O F	R E F E R E N C E
				C O D E	P A R T N O.				
1	2	3	4	5	6	7	8	9	10
005460	000	SCREW, MACHINE, UHF, 2A, MILD STEEL, FLAT CSK HD, SLOTTED, ZINC COATED, 1/4 IN. BY 5/8 IN.	Z0544	B149		4	X	UPB	
005461	000	WASHER, LOCK, STEEL, SPRING, SINGLE TURN, RECTANGULAR SECTION, CAD PLATED, 1/2 IN. BOLT SIZE	K7766	1802		4	X	UPB	
005462	009	RUBBER SPECIAL SHAPED SECTION, DOOR WEATHER STRIP	Z0009	886871R1		2	X	UPB	
005463	010	DOOR ASSEMBLY (REFER GROUP JF)							
005464	011	BOX	Z2813	ADE(V) 145-1		1	X	B	
005465	000	SCREW, TAPPING, THREAD FORMING, STEEL, PAN HD, SLOTTED, GIMLET POINT, TYPE AB THD, NO 8 BY 1 IN	80204	B18-6-4		4	X	UPB	
005466	000	WASHER, LOCK, STEEL, SHAKEPROOF, CAD PLATED, INTERNAL TYPE 12, 5/32IN, NO. 3BA OR NO. 8 UNSCREW SIZE	ZC088	1208		4	X	UPB	
005467	012	RETAINER BRAKE ROD SEAL				1			
005468	000	BOOT, DUST & MOISTURE SEAL, PTO LEVER	ZC009	856052R1		1	X	UPB	
005469	000	SCREW, TAPPING, THREAD FORMING, STEEL, PAN HD, SLOTTED, GIMLET POINT, NO 10 BY 5/8 IN	80204	B18-6-4		4	X	UPB	
005470	013	HANDLE GRAB				2			
005471	000	SCREW, MACHINE, UNF, 2A, SAE GRADE 5 STEEL, HEX HD, ZINC COATED, 5/16IN BY 3/4IN LG	80204	B18-2		4	X	UPB	
005472	000	WASHER, FLAT	31007	ADEV225-539		4	X	UPB	
005473	000	NUT, PLAIN, HEXAGON, UNF, 2B, STEEL, FORMED, ZINC COATED, 5/16 IN.	Z1272	034-079		4	X	UPB	
005474	014	RUBBER SPECIAL SHAPED SECTION, DOOR WEATHER STRIP	Z0009	886871k1		2	X	PB	
005475	000	RUBBER, SPECIAL SHAPED SECTION, 0.920IN. W BY 1/2IN.H BY 48IN.LG (PILLAR TRIM)	Z0009	857727k1		2	X	PB	
005476	015	CLIP, SPRING TENSION, WEAPON HOLDING	Z0020	ADEV94-476		1	X	PB	
005477	000	CLIP, SADDLE	Z0020	ADEV94-477		2	X	B	
005478	000	PLATE, REINFORCMENT, RIFLE CLIP	Z2813	ADEV94-481		2	X	B	

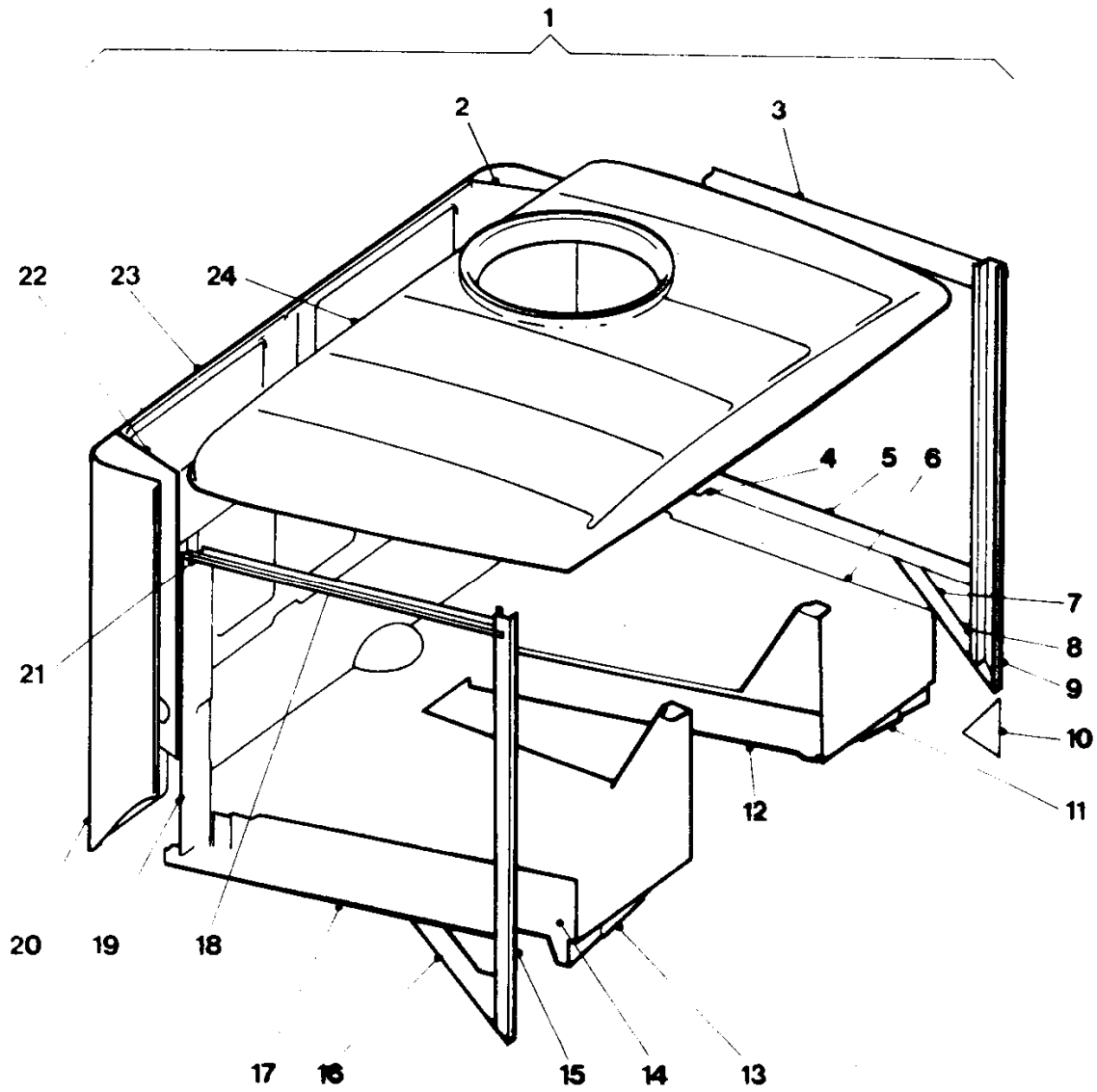
S E R I A L	N U M B E R	G R O U P & I T E M N o.	D E S I G N A T I O N	M A N U F A C T U R E R S		N O. O F	E X P L A S S	U F B	R E P A I R
				C O D E	P A R T N o.				
1	2		3	4	5	6	7	8	
005479	000		SCREW, MACHINE, UNF, 2A, SAE GRADE 5 STEEL, HEX HD, ZINC COATED, 1/4IN BY 1/2IN LG	Z1272	030-111	4	X	UFB	
005480	000		WASHER, LOCK, SPRING STEEL, SINGLE TURN, RECTANGULAR SECTION, CAD PLATED, 1/4IN BOLT SIZE	K7766	1802	4	X	UFB	
005481	000		NUT, PLAIN, HEXAGON, UNF, 2B, STEEL, FORMED, ZINC COATED, 1/4 IN.	80204	B18-2	4	X	UFB	
005482	016		BOX	Z2813	ADE (V) 145-1	1	X	PB	
005483	000		SCREW, TAPPING, THREAD FORMING, STEEL, PAN HD, SLOTTED, GIMLET POINT, TYPE AB THD, NO 8 BY 1IN	80204	B18-6-4	2	X	UFB	
005484	000		WASHER, LOCK, STEEL, SHAKEPROOF, CAD PLATED, INTERNAL TYPE 12, 5/32IN, NO. 3BA OR NO. 8 UNSCREW SIZE	ZC088	1208	2	X	UFB	
005485	017		STRAP, RETAINING, LEAD LIGHT	ZC020	TSEV93-795	1	X	B	
005486	000		SCREW, TAPPING, THREAD FORMING, STEEL, PANHD, SLOTTED, DOG TYPE POINT, NP. 8 BY 3/8 IN.	80204	B18-6-4	4	X	UFB	
005487	000		PLUG BUTTON 1-1/4IN.			2			
005488	018		HOLDER, VEHICLE UNIT AND FORMATION SIGN PLATE, 8IN BY 8IN SIGN PLATE, 8IN BY 8IN SIGN	Z0009	85075482	2	X	UFB	
005489	000		SCREW, MACHINE, UNF, 2A, SAE GRADE 5 STEEL, HEX HD ZINC COATED, 1/4 IN. BY 3/4 IN. LG	80204	B18-2	6	X	UFB	
005490	000		WASHER, LOCK, SPRING STEEL, SINGLE TURN, RECTANGULAR SECTION, CAD PLATED, 1/4IN BOLT SIZE	K7766	1802	5	X	UFB	
005491	000		NUT, PLAIN, HEXAGON, UNF, 2B, STEEL, FORMED, ZINC COATED, 1/4 IN.	80204	B18-2	5	X	UFB	
005492	000		SIGN BRIDGE MARKING			1			
005493	019		PANEL DOOR HEADER L/H			1			
005494	000		PANEL DOOR HEADER R/H			1			
005495	000		HEADER PANEL TO DOOR HEADER			4			
005496	000		WASHER, LOCK, SPRING STEEL, SINGLE TURN, RECTANGULAR SECTION, CAD PLATED, 1/4IN BOLT SIZE	K7766	1802	4	X	B	

SERIAL	NUMBER	GROUP & ITEM No.	DESIGNATION	MANUFACTURERS		NO OFF	EXPL CLASS	LEVEL	OFF	REPAIR
				CODE	PART No.					
1	2		3	4	5	6	7	8	9	
005497	000		SCREW, MACHINE, UNF, 2A, SAE GRADE 5 STEEL, HEX HD, ZINC COATED, 5/16IN BY 3/4 IN LG	80204	B18-2	4	X		B	
005498	000		WASHER, LOCK, SPRING, STEEL, SINGLE TURN, RECTANGULAR SECTION, CAD PLATED, 5/16 IN. BOLT SIZE	17600	DX252	4	X		B	
005499	020		SUPPORT ASSEMBLY, ROOF	Z0020	ADEV225-259	1	X		B	
005500	000		SCREW, MACHINE, UNF, 2A, SAE GRADE 5 STEEL, HEX HD ZINC COATED, 1/4 IN. BY 3/4 IN. LG	80204	B18-2	8	X		B	
005501	000		WASHER, LOCK, SPRING STEEL, SINGLE TURN, RECTANGULAR SECTION, CAD PLATED, 1/4 IN BOLT SIZE	K7766	1802	3	X		B	
005502	000		NUT, PLAIN, HEXAGON, UNF, 2B, STEEL, FORMED, ZINC COATED, 1/4 IN.	8Q204	B18-2	2	X		B	
005503	000		WASHER, FLAT, RD, STEEL, CAD OR ZINC COATED, 1/4 IN. BOLT SIZE, 1IN. OD, 0.062IN. THK	24617	9416904	7	X		B	
005504	000		WASHER, FLAT, RD, STEEL, ZINC COATED, SMALL, 1/4 IN., 9/16 IN. OD BY 0.056 IN. THK	Z0544	B117	2	X		B	
005505	000		MAT, FLOOR, lh	Z0020	ADEV225-4191	1	X		UPB	
005506	000		MAT, FLOOR, TOE BOARD, LH	Z0020	ADE(V)225-478-1	1	X		UPB	
005507	000		MAT, FLOOR, TOE BOARD, RH	Z0020	ADE8V9225-478-2	1	X		UPB	
005508	000		MAT, FLOOR, rh	Z0020	ADEV225-4192	1	X		UPB	
005509	000		SCREW, TAPPING, THREAD FORMING, FLAT CSK HD, SLOTTED, GIMLET POINT, STEEL, CAD OR ZINC COATED, NO.8 BY 3/4IN	31007	116338	29	X		UPB	
005510	000		WASHER, FLAT, RD, STEEL, ZINC COATED, LARGE, 2EA, 10 UN OR 3/16 IN. SCREW SIZE	Z0544	B85	29	X		UPB	
005511	000		TRAY ASSEMBLY PIRT AID KIT			1				
005512	000		SCREW, MACHINE, UNF, 2A, MILD STEEL, RAISED CHEESE HD, SLOTTED, ZINC COATED, NO.10 BY 3/4 IN.			2	X		UPB	
005513	000		WASHER, LOCK, SPRING, STEEL, SINGLE TURN, CAD OR ZINC PLATED, 3/16 IN., 2 BA OR 10 UN SCREW SIZE	K7766	1802	2	X		UPB	
005514	000		NUT, PLAIN, HEXAGON, UNF, 2B, "A" STEEL, ZINC COATED, NO 10	K7766	3155	2	X		UPB	

SERIAL NUMBER	GROUP & ITEM No.	DESIGNATION	MANUFACTURERS		NO OF	EXPL CLASS	LEVEL	OFF	PART No.
			CODE	PART No.					
1	2	3	4	5	6	7	8		
005515	000	CLIP, SPRING TENSION, STEEL 1/16 IN DIA LOOP BU 0.880 IN W BY 1-39/64 IN LG #2 INTG HOLES 9/64 IN DIA (DIP STICK AND CRANK HANDLE ATTACHING)	Z0020	TSEV93-883	4	X			FB
005516	000	SCREW, TAPPING, THREAD FORMING, STEEL, PAN HE, SLOTTED, GIMLET POINT, NO. 6 BY 3/8 IN	80204	B18-6-4	4	X			UPB
005517	000	SCREW, TAPPING, THREAD FORMING, NO 6 BY 5/8 IN LG	31007	126178	5	X			UPB
005518	000	GROMMET BLANK, NONMETALLIC (3 IN DIA FLOOR PANELS)	U1725	61RV 20312	2	X			UPB
005519	000	PLATE, INSTRUCTION, GEARBOX AND TRANSFER CASE	Z0020	ADE(V) 225-499	1	X			B
005520	000	PLATE, INSTRUCTION, WINCH AND PTO	Z0020	ADE(V) 225-498	1	X			B
005521	000	PLATE, INSTRUCTION, SERVICING DATA	Z0020	ADEV 225-500	1	X			B
005522	000	HOOD, ENGINE COMPARTMENT, PANEL COWL, TOP RIGHT	31007	886055R22	1	X			B
005523	000	SCREW, MACHINE, UNF, 2A, SAE GRADE 5 STEEL, HEX HD, ZINC COATED, 1/4 IN BY 1/2 IN LG	Z1272	030-111	2	X			UPB
005524	000	WASHER, FLAT, RD, STEEL, ZINC COATED, SMALL, 1/4 IN., 9/16 IN. OD BY 0.056 IN. THK	Z0544	B117	2	X			UPB

GROUP JL

RPS02031



CAB PANELS

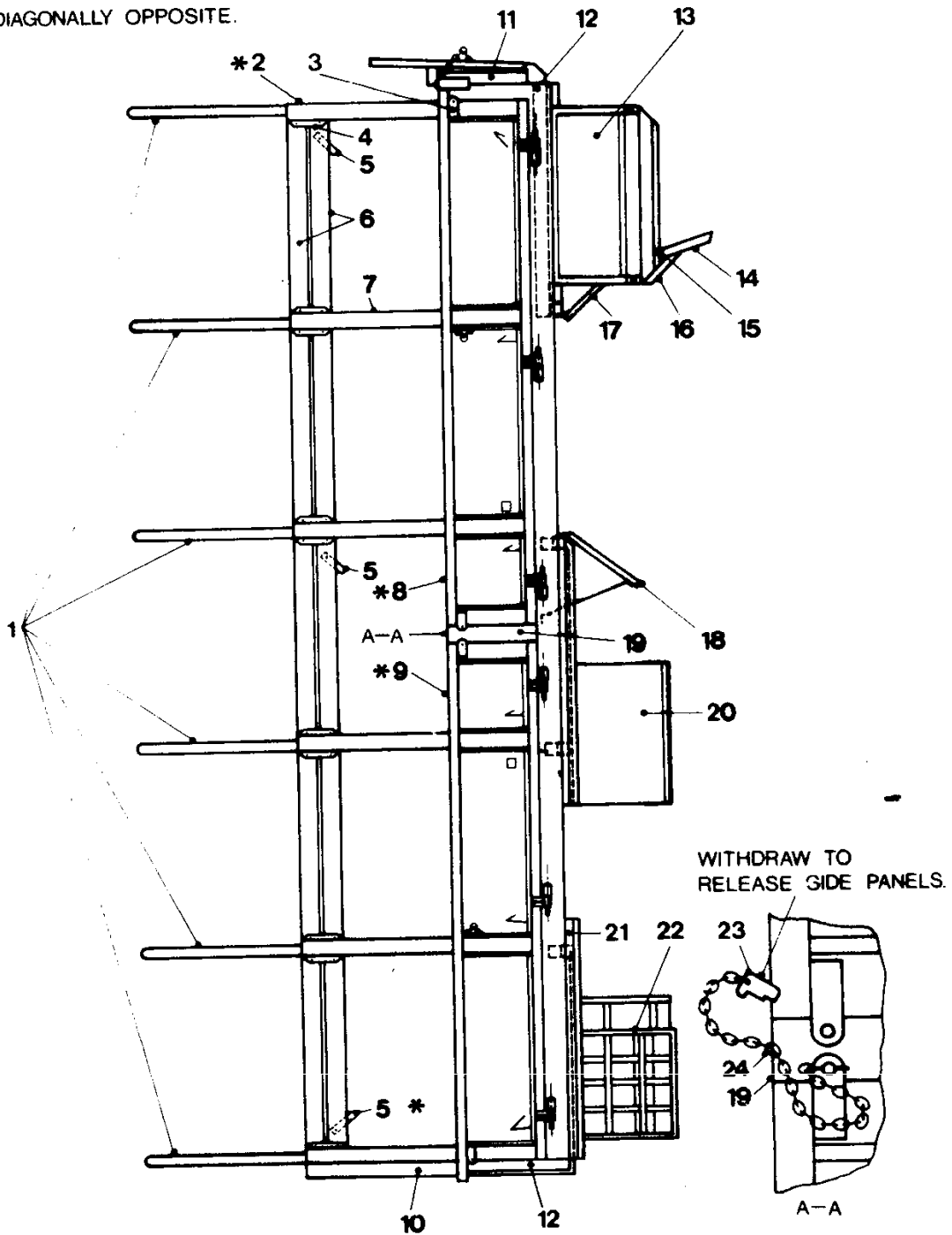
SERIAL	NUMBER	GROUP & ITEM No.	DESIGNATION	MANUFACTURERS		NO OFF	EXP. CLASS	LEVEL	P/O	REPAIR
				CODE	PART No.					
1	2	3	4	5	6	7	8			
005544	JL		CAB PANELS							
005545	001		CAB ASSEMBLY (REPER GROUP JK)			1				
005546	002		PANEL, REAR CORNER, INNER LEFT			1				
005547	003		HEADER DOOR LEFT			1				
005548	004		PILLAR ASSEMBLY, VEHICULAR CAB, DOOR, REAR LH	ZQ009	856746R11	1	X			B
005549	005		SILL ASSEMBLY, VEHICULAR CAB, DOOR, LH	Z0009	856830R11	1	X			B
005550	006		PANEL ASSEMBLY, VEHICULAR CAB, DOUBLER SILL TO SHEEL ARCH LEFT	Z0009	857066R1	1	X			B
005551	007		BRACE ASSEMBLY, VEHICULAR CAB AND FENDER, FRONT LEFT	Z0009	857046R12	1	X			B
005552	008		GUSSET, FRONT CAB MOUNTING.	Z0009	856832R1	2	X			B
005553	009		BRACKET ASSEMBLY, LH	Z2813	ADE(V) 94-439-1	1	X			B
005554	010		GUSSET, FRONT CAB CROSSMEMBER	Z0009	856877R1	2	X			B
005555	011		CROSSMEMBER ASSEMBLY, CAB FLOOR, FRONT, LH	Z2813	ADE(V) 225-415-1	1	X			B
005556	012		PANEL ASSEMBLY, VEHICULAR CAB FLOOR, CUMP AND CARGO BODY	Z2813	ADE(V) 89-79	1	X			B
005557	013		CROSSMEMBER ASSEMBLY, CAB FLOOR, FRONT, RHHT	Z2813	ADE(V) 225-415-3	1	X			B
005558	014		PANEL ASSEMBLY, VEHICULAR CAB, DOUBLER SILL TO SHEEL ARCH RIGHT	ZQ009	857067R1	1	X			B
005559	015		BRACKET ASSEMBLY, RH	Z2813	ADE(V) 94-439-2	1	X			B
005560	016		BRACE ASSEMBLY, VEHICULAR CAB AND FENDER, FRONT RIGHT	Z0009	857047R12	1	X			B
005561	017		SILL ASSEMBLY, VEHICULAR CAB, DOOR, RH	Z0009	856831R11	1	X			B
005562	018		HEADER DOOR RH			1				
005563	019		PILLAR ASSEMBLY, VEHICULAR CAB, DOOR, REAR, RH	Z0009	856747R11	1	X			B
005564	020		PANEL BACK LOWER LH			1				
005565	000		PANEL BACK LOWER RH			1				
005566	021		GUSSET DOOR OPENING			1				
005567	022		PANEL REAR CORNER INNER RH			1				
005568	023		PANEL ASSEMBLY, REAR	ZQ020	ADEV150-33	1	X			B
005569	024		PANEL ASSEMBLY, ROOF	Z2813	ADE(V) 150-17	1	X			B

S E R I A L	N U M B E R	G R O U P & I T E M N o.	D E S I G N A T I O N	M A N U F A C T U R E R S		N O O F F	E X P C L A S S	L E V E L	O F	R E P A R
				C O D E	P A R T N o.					
1	2	3	4	5		6	7	8		
005570	000	CHANNEL, DRAIN	31007	866708R1		1	X	B		
005571	000	PANEL TOW BOARD REAR RH				1				
005572	000	SCREW, MACHINE, UNC, 2A, R STEEL, RAISED CHEESE HD, SLOTTED, ZINC COATED, 1/4IN BY 3/4IN	Z0544	B149		12	X	UFB		
005573	000	NUT, SHEET SPRING 1/4in	31007	92068R1		12	X	UFB		
005574	000	PANEL TOE BOARD RH				1				
005575	000	SEAL toe board	31007	162504R1		1	X	B		
005576	000	SCREW, MACHINE, UNF, 2A, STEEL, TRUDD HS, 1/4IN BY 1IN LG	31007	272529		3	X	UFB		
005577	000	WASHER, LOCK, SPRING STEEL, SINGLE TURN, RECTANGULAR SECTION, CAD PLATED, 1/4IN BOLT SIZE	K7766	1802		3	X	UFB		

GROUP KA

RPS02031

* SIMILAR ITEM
DIAGONALLY OPPOSITE.



CARGO BODY SIDE VIEW

S E R I A L	N U M B E R	G R O U P & I T E M N o.	D E S I G N A T I O N	M A N U F A C T U R E R S		N O O F F	E X P L O S I O N	R E P A I R
				C O D E	P A R T N o.			
1	2	3	4	5	6	7	8	
005598	KA	CARGO BODY SIDE VIEW						
005599	001	BOW, VEHICULAR TOP	Z2813	TSE(V) 105-52	5	X	UPB	
005600	002	POST, HURDLE, RH, REAR	Z0020	ADE(V) 70-45-2	2	X	B	
005601	000	POST, HURDLE, LH, REAR	Z2813	ADE(V) 70-45-1	2	X	B	
005602	003	POST ASSEMBLY, CORNER, LH	Z0020	ADEV70-42-1	1	X	B	
005603	000	POST ASSEMBLY, CORNER, RH	Z0020	ADEV70-42-2	1	X	B	
005604	004	SCREW, MACHINE, UNF, 2A, STEEL, ROUND HD, SLOTTED, ZINC COATED, 5/16IN BY 1-1/4IN LG	Z0009	422429	83	X	FB	
005605	000	WASHER, LOCK, STEEL, SINGLE TURN, SQ SECTION, CAD PLATED, 5/16 IN. BOLT SIZE	K7766	1802	4)	X	FB	
005606	000	NUT, PLAIN, HEXAGON, UNF, 2B, STEEL, GRADE 0, LOCK, ZINC COATED, 5/16IN	Z0544	B147	40	X	FB	
005607	000	WASHER, FLAT, RD, STEEL, ZINC COATED, 5/16IN. 5/8 IN. OD BY 0.072 IN. THK	Z1272	038-060	4)	X	FB	
005608	005	CATCH PLATE	Z2813	TSE(V) 105-45	5	X	FB	
005609	000	WASHER, FLAT, RD, STEEL, ZINC COATED, 5/16IN. 5/8 IN. OD BY 0.072 IN. THK	Z1272	038-060	5	X	FB	
005610	000	SCREW, MACHINE, UNF, 2A, ROUND HD, ZINC COATED; 5/16IN BY 2-5/8IN LG	Z0020	ADEV70-75-6	5	X	FB	
005611	006	TIMBER VEHICLE HURDLES (REFER GROUP KAA)			4			
005612	007	POST, HURDLE, LH, SIDE	Z0020	ADE(V) 70-51-1	4	X	B	
005613	000	POST, HURDLE, RH, SIDE	Z2813	ADE(V) 70-51-2	4	X	B	
005614	008	PANEL, SIDE, VEHICLE BODY, L/H REAR, R/H FRONT	Z2813	ADE(V) 98-55-1	2	N	B	
005615	009	PANEL, SIDE, VEHICLE BODY, R/H REAR L/H FRONT	Z2813	ADE(V) 98-55-2	2	N	B	
005616	010	HURDLE ASSY FRONT (REFER GROUP KB)						
005617	011	TAILGATE ASSEMBLY (REFER GROUP KB)						
005618	012	FLOOR ASSEMBLY (REFER GROUP KC)						
005619	013	BOX, VEHICULAR ACCESSORIES STORAGE, LH	Z0020	ADEV70-100	1	N	B	
005620	000	BOX, VEHICULAR ACCESSORIES STORAGE, RH	Z0020	ADEV70-101	1	N	B	
005621	000	FLOOR BOX STOWAGE			2			

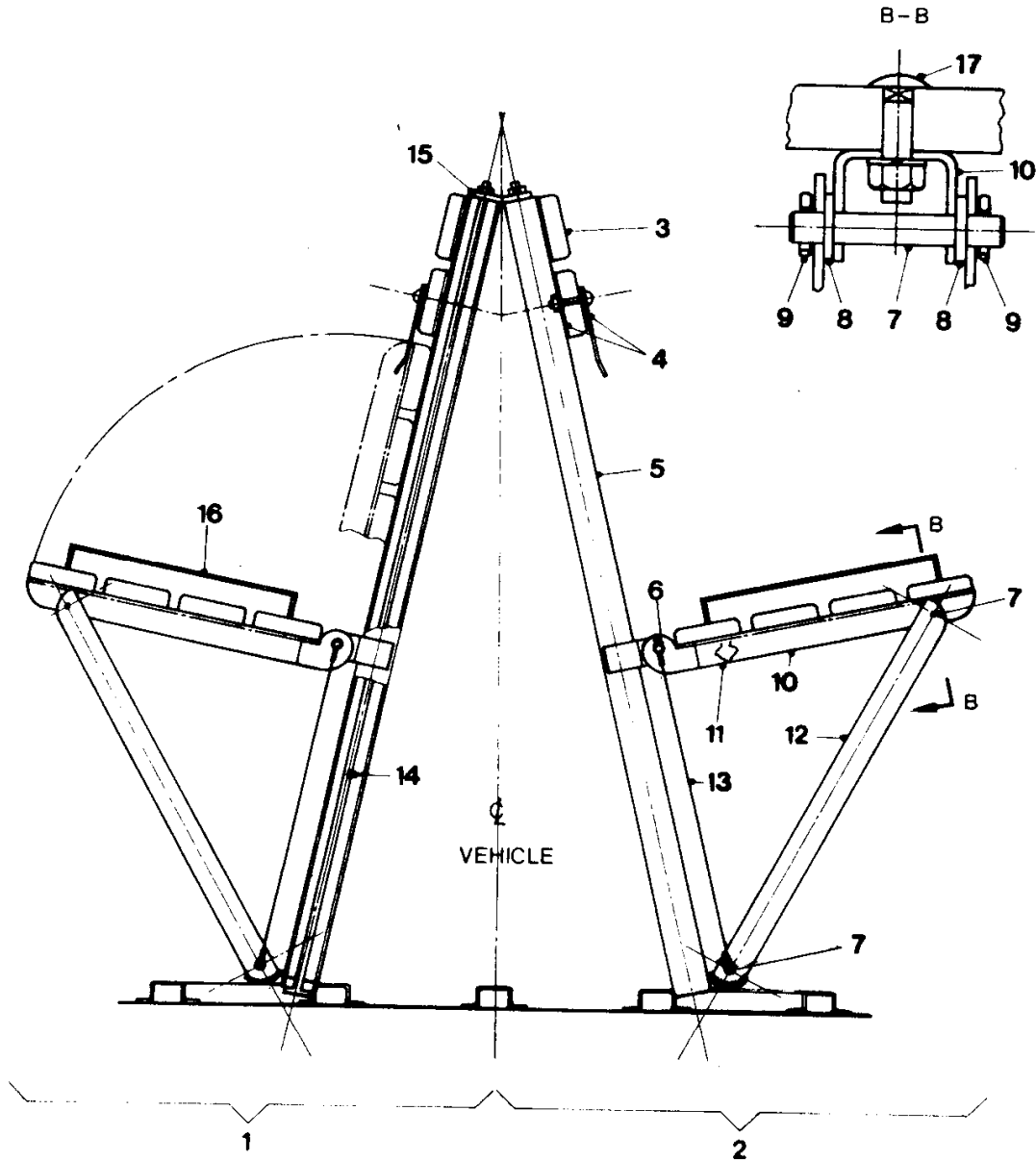
SERIAL NUMBER	GROUP & ITEM No.	DESIGNATION	MANUFACTURERS		NO OFF	EXCESS	CLASS	TO	PART
			CODE	PART No.					
1	2	3	4	5	6	7	8		
005622	000	BOLT, SQUARE NECK, BSW, STEEL, BLACK UNMACHINED, CUP HD, W/NUT, 3/8 IN. DIA BY 2 IN. LG	ZQ544	B108	2	X			UPB
005623	000	RUBBER SHEET, SOLID, CLOTH INSERT, 4 PLY, 1/4IN THK, BY 24IN W, 1/16IN THK WHITE FACED ONE SIDE			2	X			UPB
005624	000	GROMMET, RUBBER, 1-5/8IN, OD GROOVE	U1030	302954	1	X			UPB
005625	000	SCREW, MACHINE, UNF, 2A, SAE GRADE 5 STEEL, HEX HD, ZINC COATED, 3/8IN BY 7/8IN LG	8Q204	B18-2	16	X			UPB
005626	000	WASHER, LOCK, SPRING, STEEL, SINGLE TURN, RECTANGULAR SECTION, CAD PLATED, 3/8 IN. BOLT SIZE	K7766	1802	15	X			UPB
005627	014	GUARD, SPLASH, WHEEL, rear, rear section (C/W MUDFLAP)	ZC020	ADEV70-112	2	X			UPB
005628	015	PIN, STRAIGHT, HEADLESS, STEEL, 3/8 IN. DIA BY 9-5/8 IN. LG, BOTH ENDS CHAMFERED AND DRILLED	ZQ020	ADEV70-113	2	X			UPB
005629	000	PIN, COTTEE SPLIT, MILD STEEL, 3/32IN BY 2IN LG	K7766	1574	4	X			UPB
005630	016	GUARD, SPLASH, WHEEL, STEEL, REAR WHEEL FRONT, 14-1/2 IN. BY 13 IN. BY 9 IN.	Z2813	ADEV70-115	2	X			PB
005631	000	BOLT, MACHINE, UNC, 2A, SAE GRADE 5 STEEL, HEX HD, ZINC COATED, 1/4IN BY 1IN LG	8Q204	B18-2	5	X			UPB
005632	000	NUT, SELF-LOCKING, HEXAGON, UNF, 2B P STEEL, ZINC COATED, 1/4IN, W/NYLON INSERT	Z0635	NP/D086/11/6	5	X			UPB
005633	017	GUARD, SPLASH, WHEEL, STEEL, REAR WHEEL REARM 15 IN. BY 9-1/2 IN. LG	Z0020	ADEV70-114	2	X			PB
005634	000	BOLT, MACHINE, UNC, 2A, SAE GRADE 5 STEEL, HEX HD, ZINC COATED, 1/4IN BY 1IN LG	8Q204	B18-2	5	X			UPB
005635	000	NUT, SELF-LOCKING, HEXAGON, UNF, 2B P STEEL, ZINC COATED, 1/4IN, W/NYLON INSERT	Z0635	NP/D086/11/6	5	X			UPB
005636	018	GUARD, SPLASH, WHEEL, rear, front section	Z0020	ADEV70-85	2	X			PB
005637	019	POST ASSEMBLY, CENTRE	Z0020	ADEV70-37	2	X			B
005638	020	BOX, VEHICULAR ACCESSORIES STORAGE, TOOLS, RH	Z0020	ADEV70-76	1	N			PB

SERIAL	NUMBER	GROUP & ITEM No.	DESIGNATION	MANUFACTURERS		N C O F F	E X P L O S I V E	L E V E L	O F	R E P L Y
				CODE	PART No.					
1	2	3	4	5		6	7	8		
005639	000	CATCH, LOCKER LID, STEEL, 1-1/3 IN DIA BODY, 13/64 IN. DIA HOLES ON 1-1/4 IN PCD 1/2 IN IN SWIVEL EYE	U1030	334525		1	X			UPB
005640	000	SCREW, MACHINE, UNF, 2A, SAE GRADE 5 STEEL, HEX HD, ZINC COATED, 1/2 IN. BY 1 IN. LG	80204	B18-2-1-		4	X			UPB
005641	000	WASHER, LOCK, STEEL, SPRING, SINGLE TURN, RECTANGULAR SECTION, CAD PLATED, 1/2 IN. BOLT SIZE	K7766	1802		4	X			UPB
005642	000	NUT, PLAIN, HEXAGON, UNF 2E, STEEL, FORMED, ZINC COATED, 1/2IN	80204	B18-2		4	X			UPB
005643	021	HOLDER, DICING TOOL	Z0020	ADEV57-2		1	N			B
005644	000	SCREW, MACHINE, UNF, 2A, SAE GRADE 5 STEEL, HEX HD, ZINC COATED, 3/8IN BY 7/8IN LG	80204	B18-2		3	X			UPB
005645	000	NUT, PLAIN, HEXAGON, UNF, 2B, STEEL, GRADE 0, LOCK, ZINC COATED, 3/8IN	ZQ544	B147		3	X			UPB
005646	000	PIN, COTTER SPLIT, MILD STEEL, 3/32IN BY 1IN LG	K7766	1574		3	X			UPB
005647	000	SPRING, HELICAL, COMPRESSION STEEL, TOOL HOLDER, 3.500 IN O/A LG BY 0.753 IN. OD BY 0.625 IN. ID Z0020, ADE(V)57-18	Z2813	ADE(V)57-18		1	X			UPB
005648	000	NUT, PLAIN, WING, UNC, 2B, BRASS, 3/8 IN.	Z0020	ADEV57-17		3	X			UPB
005649	000	CLAMP PLATE, STOWAGE EQUIPMENT (PICK HEAD)	Z0020	ADEV57-16		1	X			B
005650	000	STRAP, RETAINING, STOWAGE COMPARTMENT	Z0020	ADEV57-15		1	X			B
005651	000	CLAMP, STOWAGE COMPARTMENT	Z0020	ADEV57-14		1	X			B
005652	022	RACK, JERRICAN AND OIL CAN	Z0020	ADEV70-120		1	N			B
005653	000	BOLT, EYE, UNF, 1/4IN BY 11/4IN LG	Z0020	TSEV20-29		2	X			UPB
005654	000	NUT, PLAIN, WING, UNF 2B, STEEL, CAD PLATED, 1/4IN				2	X			UPB
005655	000	PIN, COTTER SPLIT, MILD STEEL, 3/16IN BY 1-1/2IN LONG	K7766	1574		2	X			UPB
005656	023	KEY AND RING ASSEMBLY	Z0020	ADEV70-88		3	X			UPB
005657	024	CHAIN, WELDLESS, DOUBLE JACK, 14 SWG, 3/4 IN. LINK BY 7 1/4 IN. LG	Z0020	ADE(V)98-49-4		4	X			UPB
005658	000	PLATE, INSTRUCTION, CENTRE OF GRAVITY	Z0020	ADE(V)225-749		1	X			B

FOOTNOTE: PAGE 231 INTENTIONALLY NOT INCLUDED IN THIS RPS

GROUP KAA

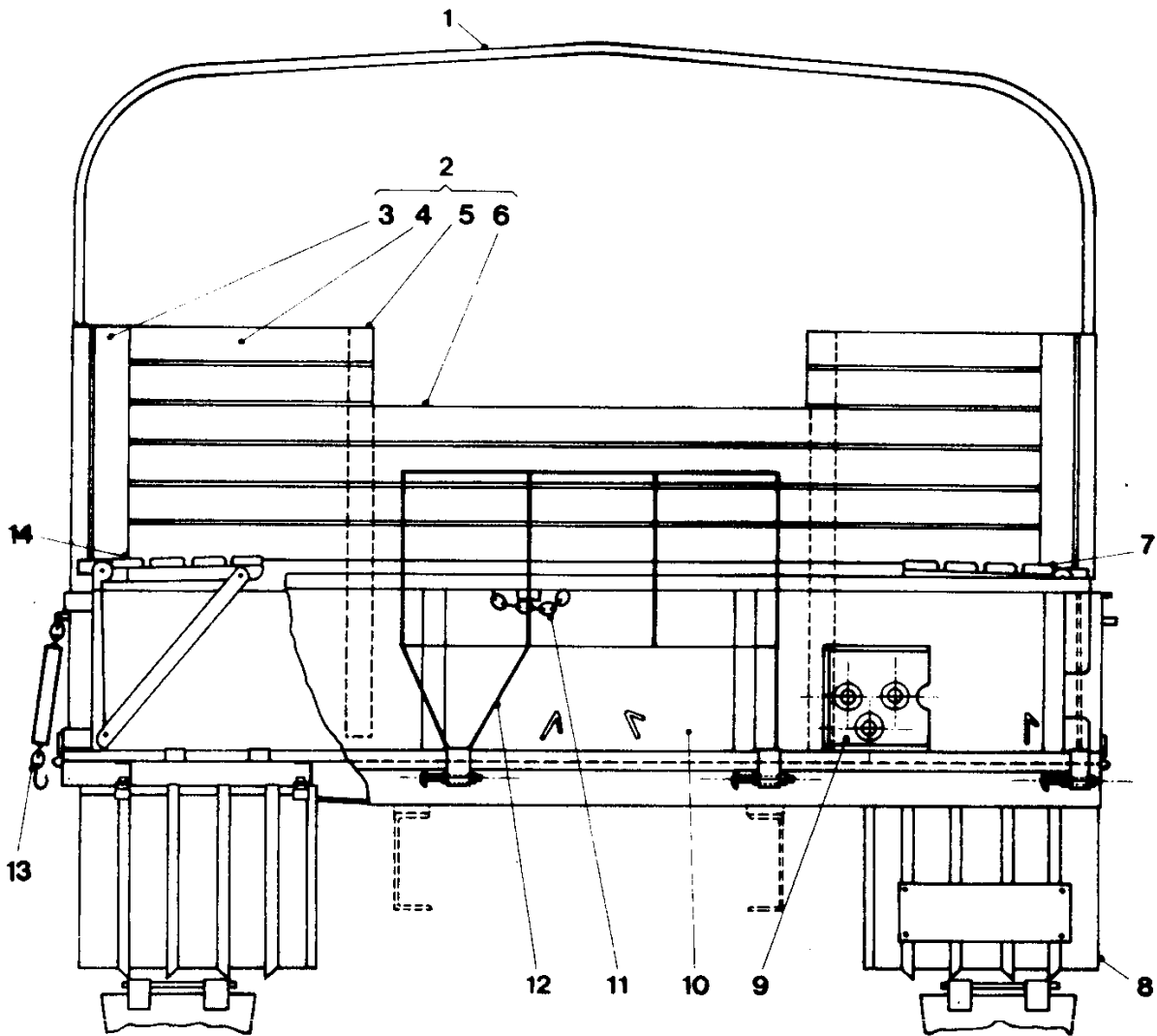
RPS02031



CARGO BODY SEATS

SERIAL	NUMBER	GROUP & ITEM No.	DESIGNATION	MANUFACTURERS		NO. OFF	EXPL. CLASS	LEVEL	OF	REPAIR
				CODE	PART No.					
1	2	3	4	5	6	7	8			
C05679	KAA		CARGO BODY SEATS							
005680	001		SEAT ASSEMBLY, RH	Z0020	ADEV70-34-2	1	N			B
005681	002		SEAT ASSEMBLY, LH	Z0020	ADEV70-34-1	1	N			B
005682	003		TIMBER, VEHICLE, HURDLE AND SEAT, 3IN BY 3/4IN BY 14FT 6IN LG	Z2813	ADE(V) 96-59	12	X			PB
005683	004		CATCH (REFER GROUP KA)			5				
005684	005		POST, HURDLE (REFER GROUP KA)			12	U			
005685	006		PIN, STRAIGHT, HEADLESS STEEL, 3/82N DIA BY 2IN O/A LG, DRILLED 1/8IN DIA HOLES FOR COTTER PINS BOTH ENDS, ENDS CHAMFERED	Z0020	TSEV105-47	12	X			PB
005686	000		PIN, COTTER, SPLIT, STEEL, 3.2 MM NOM DIA, 80 MM LG	Z0544	AS1236	24	X			PB
005687	007		PIN, STRAIGHT, HEADLESS STEEL, CAD PLATED, 3/82N BY 2-1/4IN LG, BOTH ENDS CHAMFERED, DRILLED BOTH ENDS FOR 1/8IN COPPER PIN	Z0020	TSEV105-46	24	X			PB
005688	008		WASHER, NONMETALLIC FIBRE, 3/8 IN. ID BY 3/4 IN. OD BY 1/8 IN. THK	Z2813	ADEV98-4-55	24	X			PB
005689	009		PIN, COTTER, SPLIT, STEEL, 3.2 MM NOM DIA, 80 MM LG	Z0544	AS1236	48	X			PB
005690	010		HINGE, PASSENGER SEAT, VEHICLE TRAY	Z0020	ADEV70-35	12	X			PB
005691	011		CLIP, SPRING TENSION SPRING STEEL, 3/8 IN LG, 3/4IN W 1-1/4IN H O/A, 22BG/0.031IN THK MATERIAL, W/ONE NC 10 UN SCREW SIZE MTG HOLE	Z0020	ADEV70-67	12	X			PB
005692	012		STAY, SEAT ASSEMBLY	Z0020	ADEV70-56	12	X			PB
005693	013		STRAP, WEBBING	Z2813	ADE(V) 70-55	12	X			PB
005694	014		BOLT, TEE HEAD, UNF, 2A STEEL, CAD PLATED, 3/8 IN. BY 38 IN. LG	Z0020	ADEV70-138	12	X			UPB
005695	000		NUT, CONE SEAT, HEXAGCN, UNF, 2B, STEEL, CAD PLATED, 3/8 IN.	Z0020	ADEV70-140	12	X			UPB
005696	015		CLAMP, PLATE	Z2813	ADE(V) 70-139	5	X			UPB
005697	016		RAIL, SEAT	Z2813	ADE(V) 70-36	4	X			PB
005698	000		WASHER, FLAT, RD, STEEL, ZINC COATED, SMALL, 3/8 IN. BOLT SIZE, 3/4 IN. OD BY 0.072 IN. THK	Z0544	B117	16	X			PB

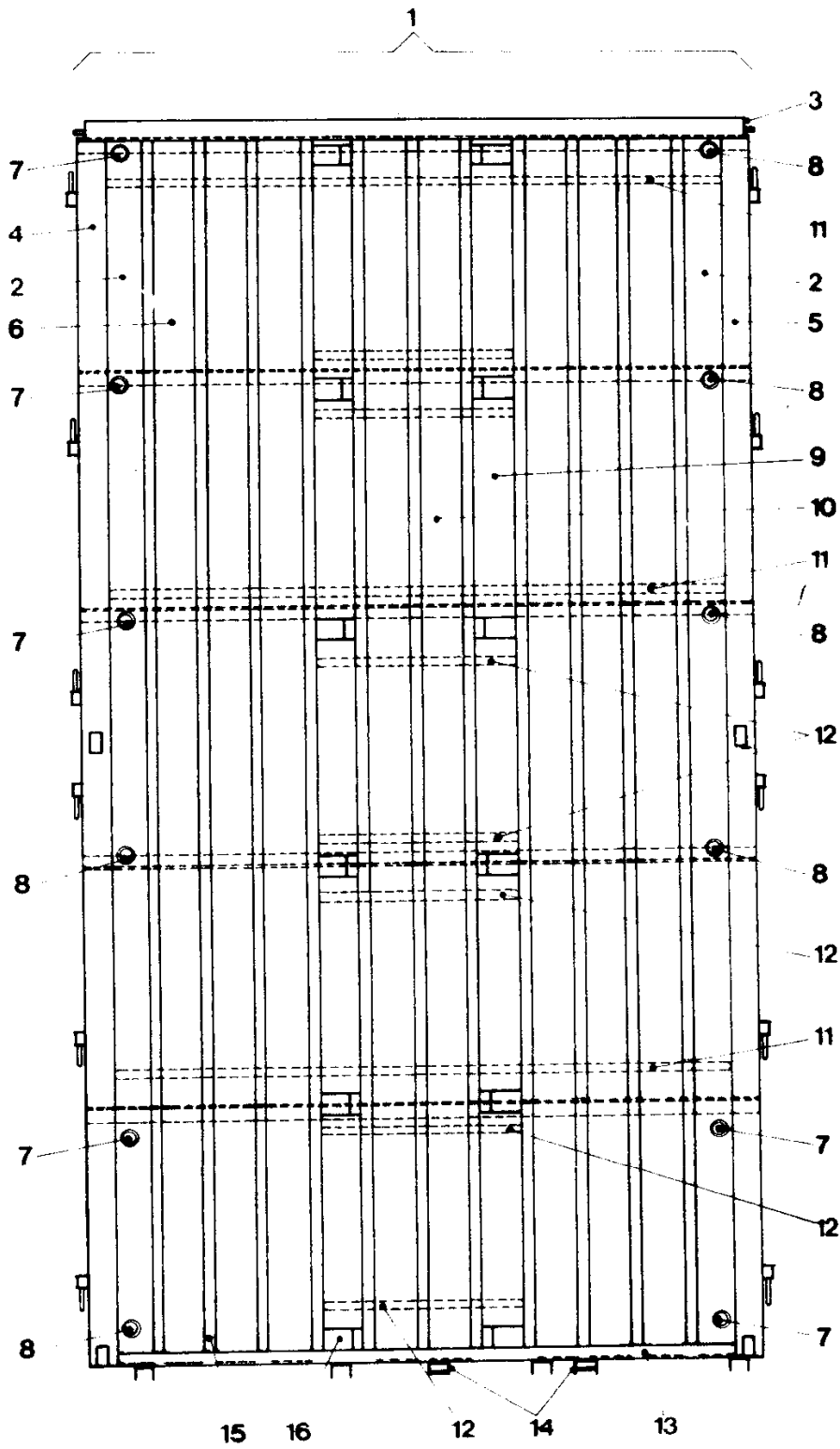
S E R I A L	N U M B E R	G R O U P & I T E M N o.	D E S I G N A T I O N	M A N U F A C T U R E R S		N O O F F	E X P. C L A S S I F I C A T I O N	L E V E L O F	R E P A I R
				C O D E	P A R T N o.				
1	2		3	4	5	6	7	8	
005699	000		NUT, PLAIN, HEXAGON, UNF, 2B, STEEL, GRADE 0, LOCK, ZINC COATED, 3/8IN	Z0544	B 147	3	X	FB	
005700	017		BOLT (REFER SERIAL 56Q4)			83			



CARGO BODY END VIEW

SERIAL	NUMBER	GROUP & ITEM No.	DESIGNATION	MANUFACTURERS		NO OFF	EXP CLASS	LEVEL	FO	REPAIR
				CODE	PART No.					
1	2		3	4	5	6	7			
C05712	KB		CARGO BODY END VIEW							H
005713	001		CANOPY BOW (REFER GROUP KA)							
005714	002		HURDLE ASSEMBLY, FRONT	Z0020	ADEV70-75	1	N			B
005715	003		SUPPORT LH AND RH			2				
005716	004		TIMBER			4				
005717	005		POST HURDLE			2				
005718	006		TIMBER			4				
005719	000		WASHER, FLAT, RD, STEEL, ZINC COATED, 5/16IN. 5/8 IN. OD BY 0.072 IN. THK	Z1272	038-060	24	X			UPB
005720	000		WASHER, LOCK, STEEL, SINGLE TURN, SQ SECTION, CAD PLATED, 5/16 IN. BOLT SIZE	K7766	1802	24	X			UPB
005721	000		NUT, PLAIN, CAP, UNF, 2B, STEEL, PHOSPHATED, UNFINISHED, 5/16IN THE SIZE, 0.500IN W A/P, 0.687IN O/A H	U1030	247121	24	X			UPB
005722	000		SCREW, MACHINE, UNF, 2A, STEEL, ROUND HD, SLOTTED, ZINC COATED, 5/16IN BY 1-1/4IN LG	Z0009	422429	12	X			UPB
005723	000		SCREW, MACHINE, UNF, 2A, ROUND HD, ZINC COATED, 5/16IN BY 2-5/8IN LG	Z0020	ADEV70-75-6	12	X			UPB
005724	007		RIGHT HAND SEAT ASSY (REFER GROUP KAA)							
005725	008		STOWAGE BIN (REFER GROUP KAA)			1				
005726	009		HOLDER, VEHICLE UNIT AND FORMATION SIGN PLATE	Z2813	ADE(V) 70-16	2	X			UPB
005727	000		SCREW, MACHINE, UNF, 2A, SAE GRADE 5 STEEL, HEX HD, ZINC COATED, 1/4IN BY 1/2IN LG	Z1272	030-111	5	X			UPB
005728	000		NUT, PLAIN, HEXAGON, UNF, 2B, A STEEL LOCK, ZINC COATED, 1/4 IN.	Z0027	156614	5	X			UPB
005729	000		WASHER, LOCK SPRING STEEL, SINGLE TURN, SQ SECTION, CAD PLATED, 1/4 IN. BOLT SIZE	Z0745	1-4BOLTDIASQSECT	5	X			UPB
005730	010		TAILGATE, VEHICLE BODY	Z2813	ADE(V) 98-44	1	N			FB
005731	011		HASP, HINGED, PLATE LOCKING	Z0020	ADEV98-49	1	X			UPB
005732	000		PIN, STRAIGHT, HEADED STEEL, 3IN LG BY 5/16IN DIA, W/CHAIN LINK HD	Z0020	ADEV5-9	1	X			UPB
005733	000		PIN, LOCK STEEL, 1-13/16IN LG BY 14 SWG	Z0020	ADEV5-10	1	X			UPB
			2540-66-099-7656		Canopy.					

S E R I A L	N U M B E R	G R O U P & I I M N o.	D I S I G N A T I O N	M A N U F A C T U R E R S		N O O F	E X P L O S I O N C L A S S	L E V E L	R E P A R T S
				C O D E	P A R T N O.				
1	2	3	4	5	6	7	8		
005734	000	SCREW, MACHINE, UNF, 2A, SAE GRADE 5 STEEL, HEX HD, ZINC COATED, 5/16 IHN. BY 1/2 IN. LG	8Q204	B18-2	2	X	UPB		
005735	000	NUT, SELF-LOCKING, HEXAGON, UNF, 2B, STEEL, ZINC COATED, W/NYLON INSERT, 5/16 IN. BOLT SIZE			2	X	UPB		
005736	000	CHAIN, WELDLESS, DOUBLE JACK, 14 SWG, 3/4 IN. LINK BY 7 1/4 IN. LG	Z0020	ADE(V) 98-49-4	1	X	UPB		
005737	012	STEPS, PERSONNEL	Z0020	ADEV98-47	1	X	UPB		
005738	013	CHAIN ASSEMBLY, SINGLE LEG, TAILGATE CATCH	Z0020	ADEV70-72	2	X	UPB		
005739	014	LEFT HANDSEAT ASSEMBLY (REFER GROUP KAA)			1				

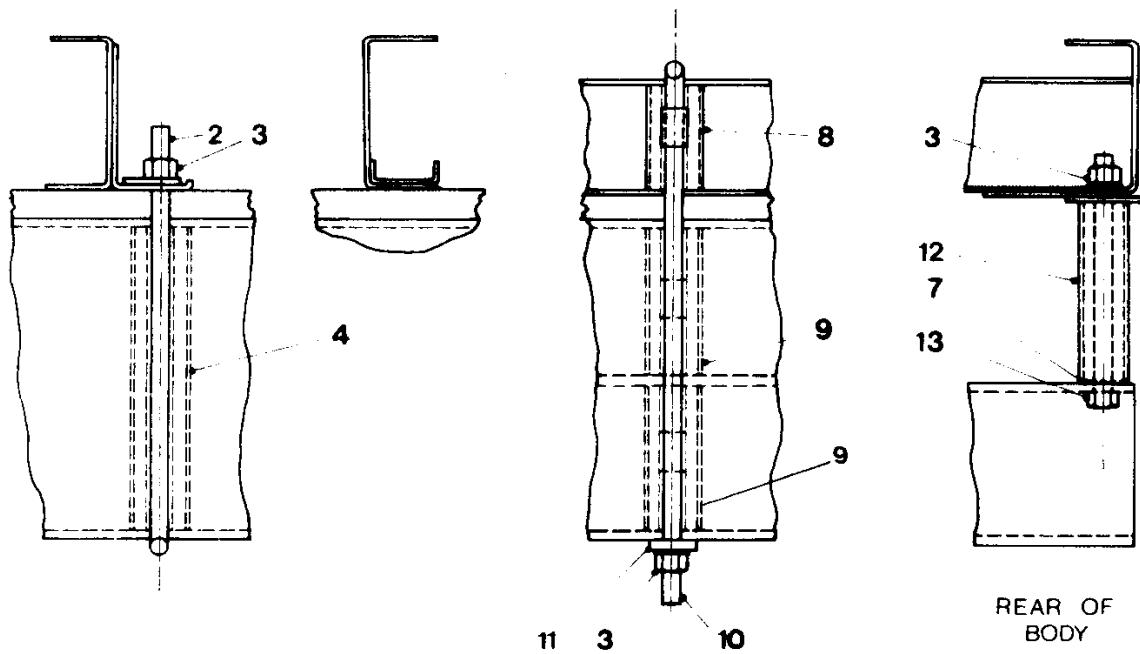
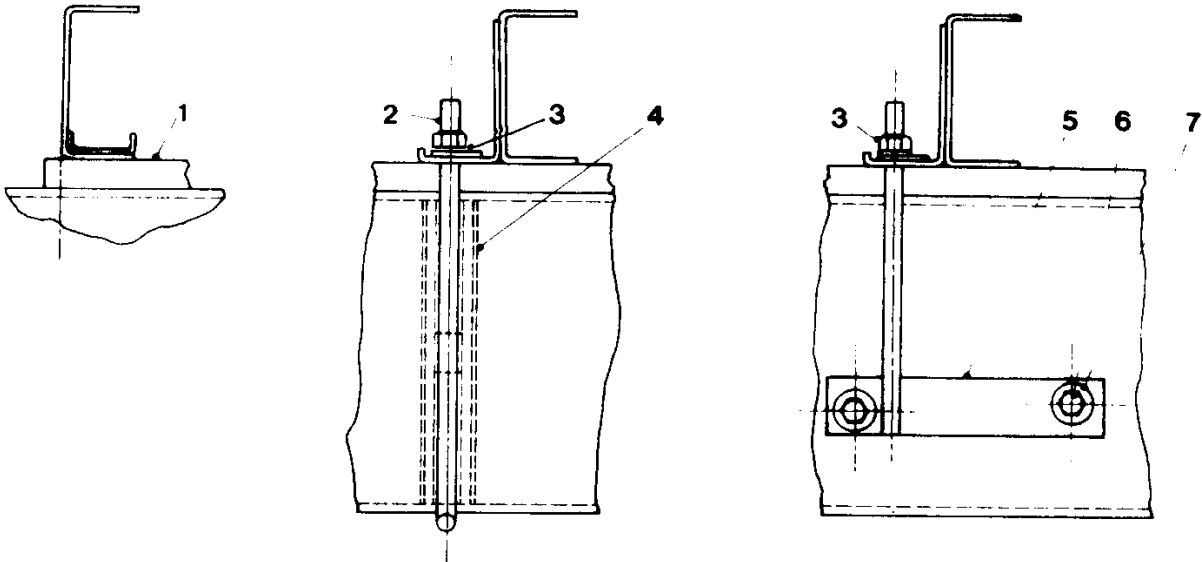


CARGO FLOOR ASSEMBLY

SERIAL	NUMBER	GROUP & ITEM No.	DESIGNATION	MANUFACTURERS		NO OFF	EXPL CLASS	LEVEL	UNIT	REPAIR
				CODE	PART No.					
1	2	3	4	5	6	7	8			
005760	KC		CARGO FLOOR ASSEMBLY							
005761	001		FLOOR ASSEMBLY	Z2813	ADEV70-3	1	N		B	
005762	002		FLOORBOARD, VEHICLE, OUTER, LH & RH, 5-9/16IN W BY 13/16IN THK BY 14FT LG DRILLED W/SIX 2-5/8IN DIA HOLES, CHAMFERED 1/8IN BY 45DEG ALL EDGES	Z0020	ADEV98-57	2	X		B	
005763	003		FRONT PANEL ASSEMBLY, WELDED	Z0020	ADEV70-5	1	N		B	
005764	004		COAMING SIDE LH	Z2813	ADEV70-9-1C	1	X		B	
005765	005		COAMING SIDE RH	72813	ADEV70-9-2C	1	X		B	
005766	006		FLOOR BOARD INTERMEDIATE			6				
005767	007		RING ASSEMBLY, LASHING LH	Z2813	ADE(V) 70-62-1	5	X		B	
005768	008		RING ASSEMBLY, LASHING RH	Z2813	ADE(V) 70-62-2	6	X		B	
005769	009		FLOORBOARD SMALL			10				
005770	010		FLOORBOARD CENTRE			2				
005771	011		CLEAT			3				
005772	012		CLEAT			7				
005773	000		BOLT, SQUARE NECK, BSW, STEEL, BLACK UNMACHINED, CUP HD, W/NUT, 5/16 IN. DIA BY 1-1/2 IN. LG	Z0544	B108	23	X		B	
005774	000		WASHER, LOCK, SPRING, STEEL, SINGLE TURN, RECTANGULAR SECTION, CAD PLATED, 5/16 IN. BOLT SIZE	17600	DX252	23	X		B	
005775	000		NUT, PLAIN, HEXAGCN, UNF, 2B, STEEL, FORMED, ZINC COATED, 5/16 IN.	Z1272	034-079	23	X		B	
005776	013		ANGLE BRACKET			1				
005777	000		BOLT, SQUARE NECK, UNF, CSK HD, 3/8 IN. BY 1-3/4 IN. LG	Z0020	ADEV98-5-11	3	X		B	
005778	000		WASHER, LOCK, SPRING, STEEL, SINGLE TURN, RECTANGULAR SECTION, CAD PLATED, 3/8 IN. BOLT SIZE	K7766	1802	3	X		B	
005779	000		NUT, PLAIN, HEXAGCN, UNF 2B, STEEL, FORMED, ZINC COATED, 3/8IN	80204	B18-2	3	X		B	
005780	014		BRACKET LOADING RAMP ASSEMBLY			2				
005781	000		SCREW, MACHINE, UNF, 2A, SAE GRADE 5 STEEL, HEX HD, ZINC COATED, 7/16 IN. BY 1 IN. LG	80204	18-2	4	X		B	

SERIAL	NUMBER	GROUP & ITEM No.	DESIGNATION	MANUFACTURERS		NO. OF	EXP. CLASS	LEVEL	CF	REPAIR
				CODE	PART No.					
1	2		3	4	5	6	7	8		
005782	000		NUT, SELF-LOCKING, HEXAGON, UNF CLASS 2B FIL, P STEEL, TYPE P, ZINC COATED, 7/16IN, W/NYLON INSERT	Z0009	850939-R9 1	4	X	B		
005783	015		RUNNER, METAL, VEHICLE CARGO BODY	Z2813	ADE (V) 70-17	11	X	B		
005784	016		POST BASE			12				
005785	000		FLOORBOARD, VEHICLE, CENTRE, 5-9/16IN W BY 13/16 IN. THK BY 14 FT 6 IN. LG, CHAMFERED 1/8 IN. BY 45 DEG ALL EDGES	Z2813	ADE (V) 98-58	12	X	B		

FRONT OF
BODY



REAR OF
BODY

CARGO BODY TO CHASSIS MOUNTINGS

SERIAL	NUMBER	GROUP & ITEM No	DESIGNATION	MANUFACTURERS		NO OFF	EXPL CLASS	LEVEL	REPAIR
				CODE	PART No.				
1	2	3	4	5	6	7	8		
C05806	KCA		CARGO BODY TO CHASSIS MOUNTINGS						
005807	001		PACKER BODY			2			
005808	002		BOLT, U, UNF, 2A, STEEL, 1/2IN BY 10-5/8IN	Z0020	ADEV225-720	4	X		PB
005809	003		WASHER, LOCK, STEEL, SPRING, SINGLE TURN, RECTANGULAR SECTION, CAD PLATED, 1/2 IN. BOLT SIZE	K7766	1802	15	X		PB
005810	000		NUT, PLAIN, HEXAGON, UNF 2B, STEEL, FORMED, ZINC COATED, 1/2IN	80204	B18-2	15	X		PB
005811	004		SPACER BLOCK, CHASSIS U BOLT	Z0020	TSEV93-994	4	X		PB
005812	005		BOLT AND PLATE ASSEMBLY LH	Z0020	ADEV225-573-1	1	X		PB
005813	000		BOLT AND PLATE ASSEMBLY RH	Z0020	ADEV225-573-2	1	X		PB
005814	006		BOLT, MACHINE			2			
005815	007		WASHER, FLAT, RD, STEEL, ZINC COATED, SMALL, 1/2 IN. BOLT SIZE, 1 IN. OD, 0.092 IN. THK	Z0544	B117	6	X		PB
005816	008		SPACER BLOCK, CHASSIS U BOLT	Z0020	TSEV93-997	2	X		PB
005817	009		SPACER, CHASSIS 'U' BOLT	Z0020	ADEV225-574	4	X		PB
005818	010		BOLT, U, UNF, 2A, STEEL, 1/2IN BY 13-1/2IN LG	Z2813	ADEV225-556	2	X		PB
005819	011		PLATE, U BOLT (MPR IN WKSPS)			2			
005820	012		SPACER, SLEEVE, REAR CROSSMEMBER, 4-6 IN. IG TUBE	Z0020	ADE(V) 225-511-1	2	X		PB
005821	013		BOLT, MACHINE, UNF, 2a, 's' steel, hex hd, zinc coated, 1/2in by 6in	Z0544	B147	2	X		PB

S E R I A L	N U M B E R	G R O U P & I T E M N o.	D E S I G N A T I O N	M A N U F A C T U R E R S		N O O F	E X P. C L A S S	L E V E L	R E P A I R
				C O D E	P A R T N o.				
1	2		3	4	5	6	7	8	
005842	LA		ARMOUR PROTECTION KIT						
005843	000		ARMOUR PROTECTION KIT			1			
005844	000		CONTROL ASSEMBLY			1			
005845	000		GLASS WINDSHIELD			2			
005846	000		BUFFER DOOR			1			
005847	000		PEG DOOR			1			